



**EVERGREEN
LIGHTING**

Custom Louvered Bollard
BOL-LVR-PSS-12W-CA-43"-SBR-30K

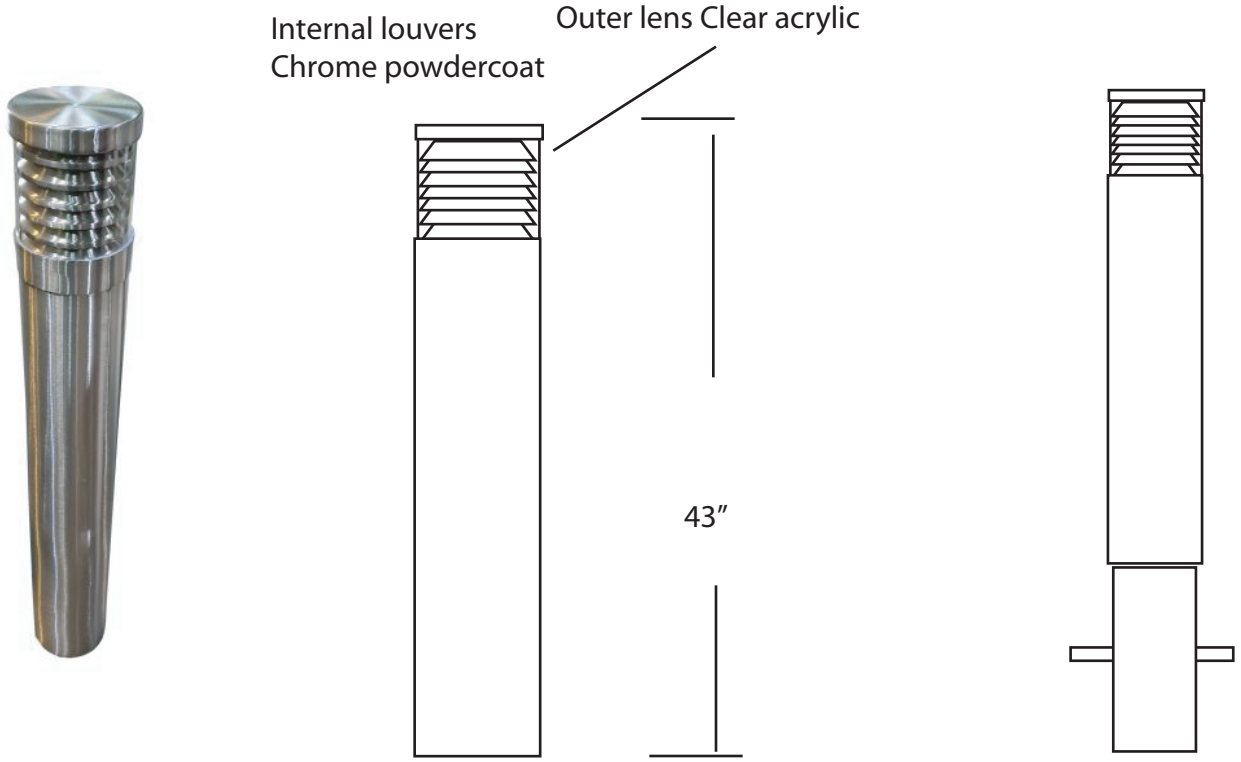
SPECIFICATION FEATURES		Date 10-19-20
Dimensions	43" High x 6" diameter	
Lamps	12 watts of LED - 3000K	
Material	Stainless Steel	
Finish	Polished Stainless Steel	
Lens	Clear Acrylic internal louvers	
Label	WET Location	
Voltage	120 / 277	
Description	Bollard - Heavy duty structure	

PROJECT:	
SPECIFIER:	

1,250 fixture lumens

Body and Top Cap
Stainless Steel Polished - Finish

6" diameter



Internal Steel Tube with Bar for direct burial mounting

43"H above ground X 6" diameter,
direct burial tube to be 18" below ground.

EVERGREEN LIGHTING WWW.EVERGREENLIGHTING.COM
1379 Ridgeway St. Pomona, CA 91768 PHONE: (909) 865-5599 FAX: (909) 865-5539



MADE IN USA ● Information appearing hereon is proprietary and confidential and may not be used without the permission of Evergreen Lighting.

MADE IN USA