

ITEM NO.	PART NUMBER	DESCRIPTION	QTY.	CUT
1	A-TL-BOL38"-30L-MG-WF-41K-4" SQUARE POST	4"X4" ALUMINUM POST	1	
2	A-TL-BOL38"-30L-MG-WF-41K-BURIED ANCHOR PLATE	ALUMINUM 0.500" PLATE	1	
3	A-TL-BOL38"-30L-MG-WF-41K-TOP PLATE	ALUMINUM 0.125" PLATE	1	
4	A-TL-BOL38"-30L-MG-WF-41K-LED BRACKET	ALUMINUM 0.0635"	1	
5	A-TL-BOL38"-30L-MG-WF-41K-TOP PLATE BRACKET	ALUMINUM 0.0635"	1	
6	A-TL-BOL38"-30L-MG-WF-41K-LED REFLECTOR	ALUMINUM 0.0635"	1	
7	A-TL-BOL38"-30L-MG-WF-41K-DRIVER BRACKET	ALUMINUM 0.0635"	1	
8	A-TL-BOL38"-30L-MG-WF-41K-HAND COVER	ALUMINUM 0.0635"	1	
9	KTLD-25-UV-700-VDIM-LA1	DRIVER	1	
10	AItailed_PN1004RevD	LED	4	

UNLESS OTHERWISE SPECIFIED:

DIMENSIONS ARE IN INCHES
 TOLERANCES:
 FRACTIONAL ± .003
 ANGULAR: MACH ± .01 BEND ±
 TWO PLACE DECIMAL ±
 THREE PLACE DECIMAL ± .001

INTERPRET GEOMETRIC
 TOLERANCING PER:

MATERIAL

FINISH

NAME DATE

DRAWN

CHECKED

ENG APPR.

MFG APPR.

Q.A.

COMMENTS:

TITLE:

A-TL-BOL38"-30L-MG-WF-41K

SIZE DWG. NO. REV

A TICKET 24209

SCALE: 1:8 WEIGHT: SHEET 1 OF 9



ALL BEND RADIUS .030"

APPLICATION

DO NOT SCALE DRAWING

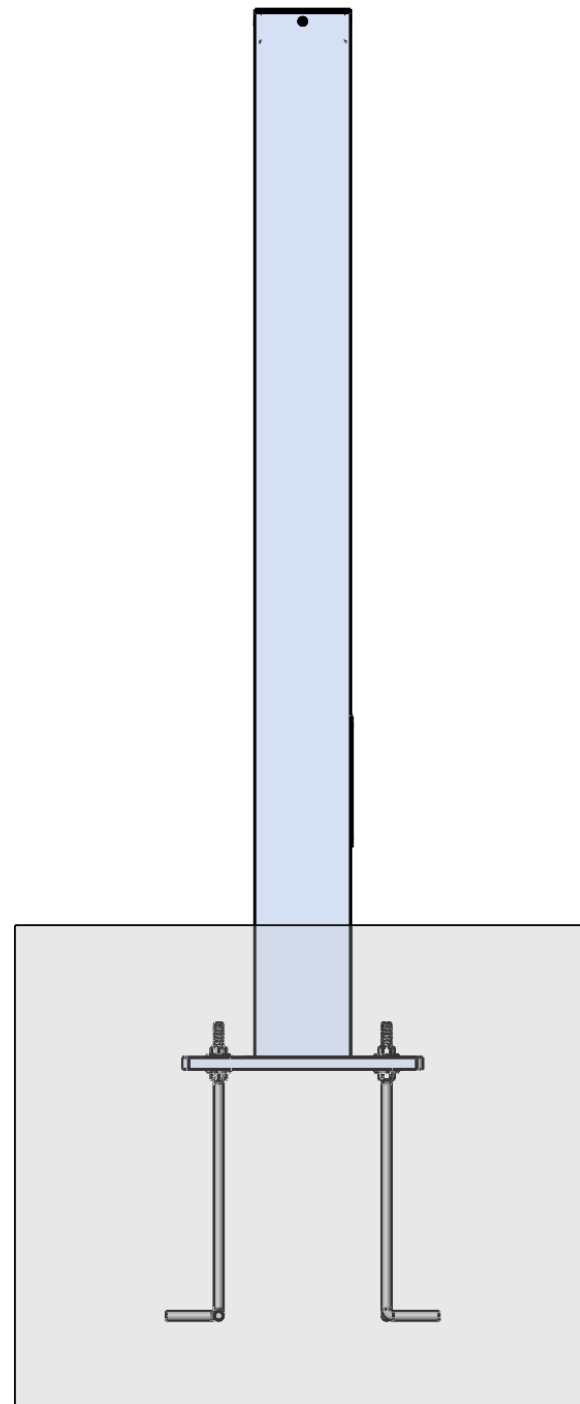
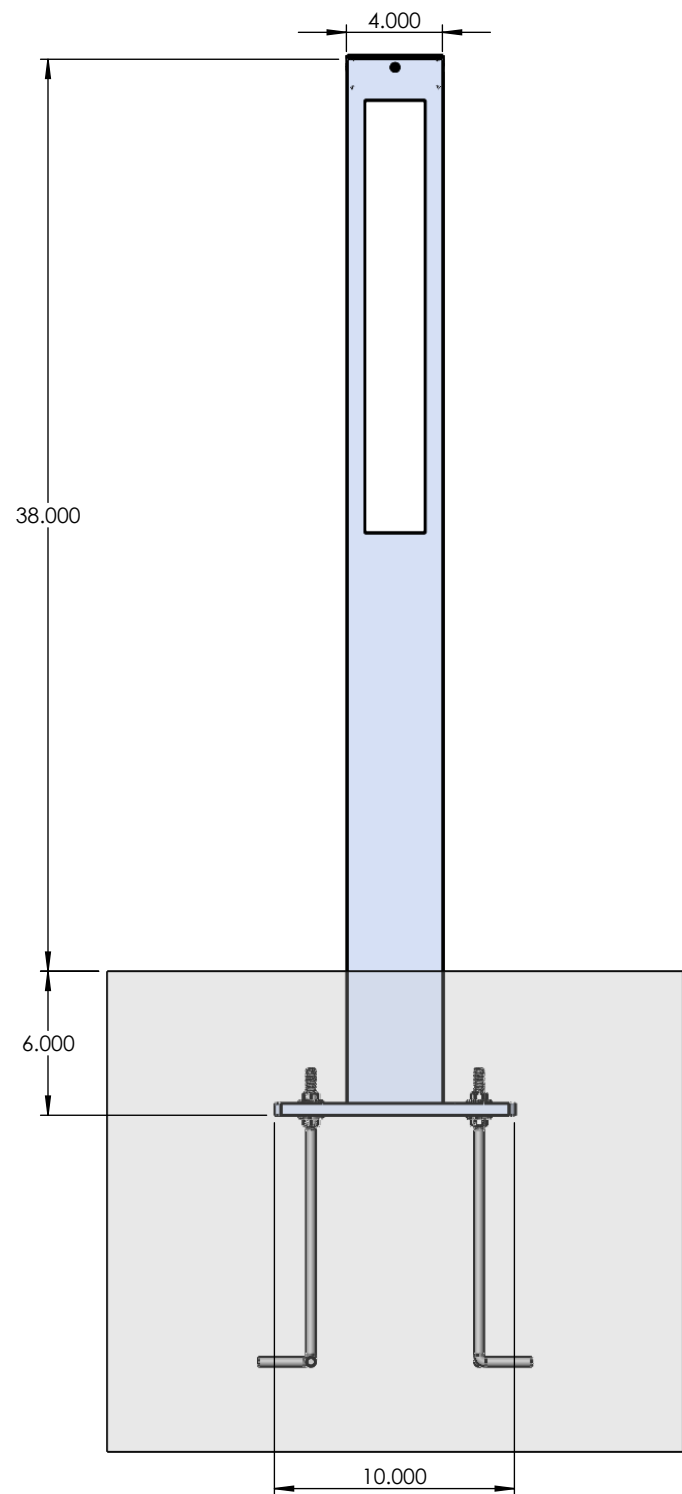
5

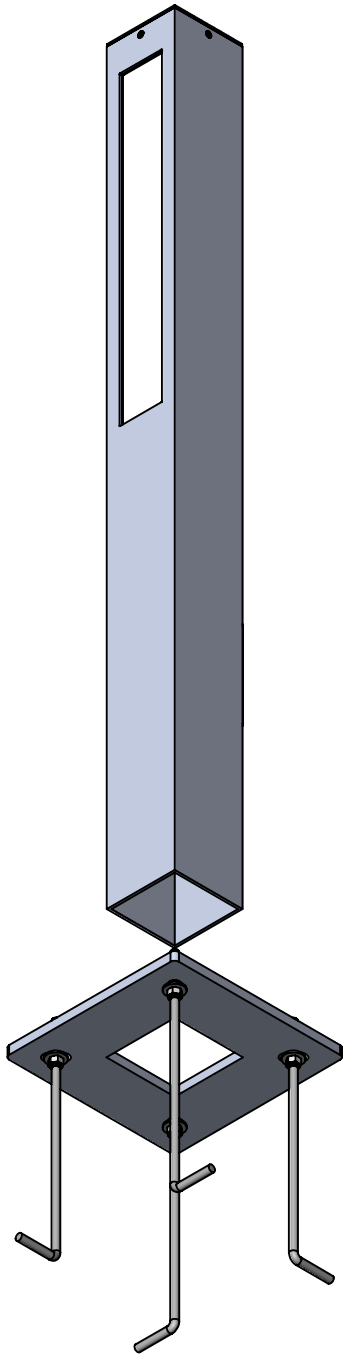
4

3

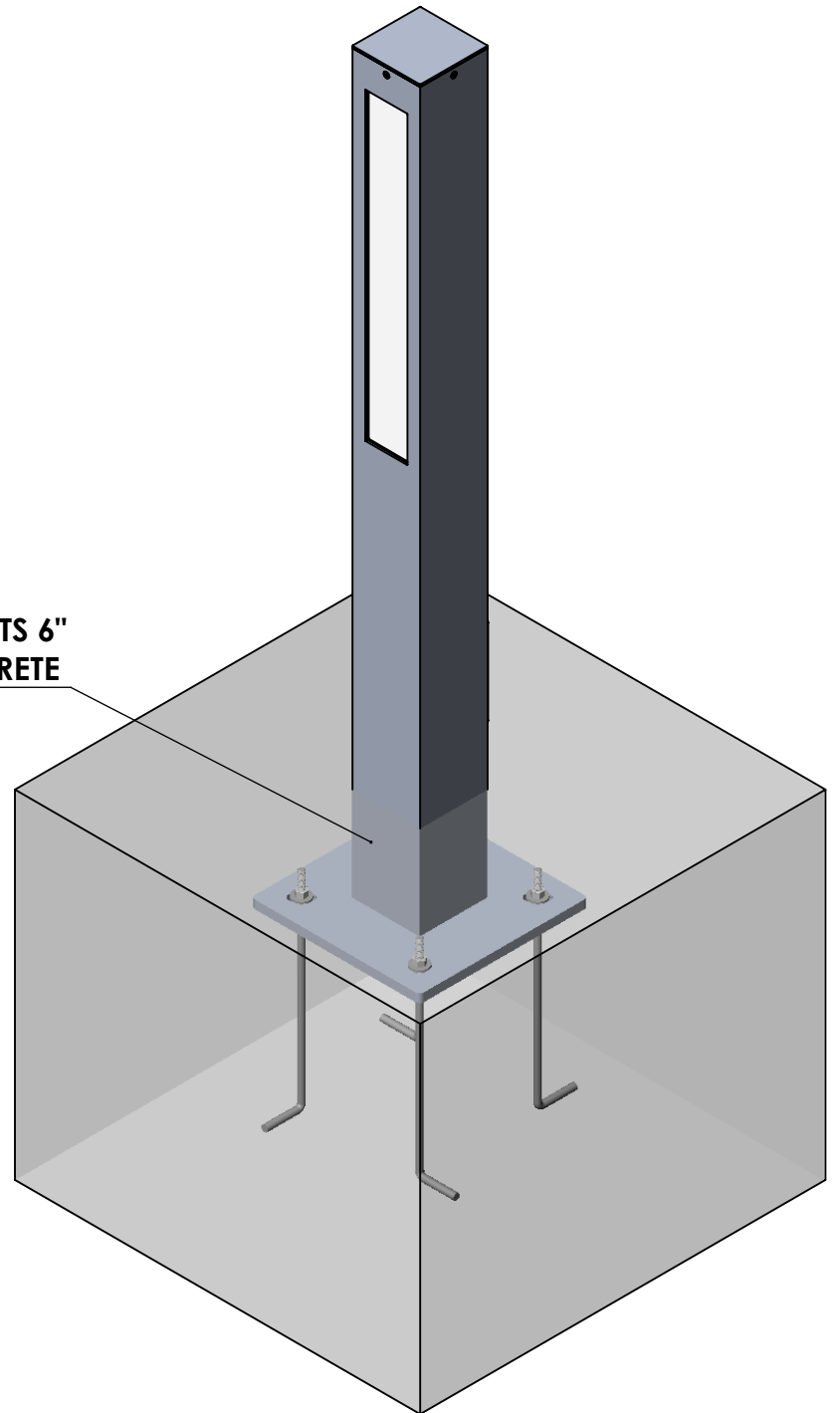
2

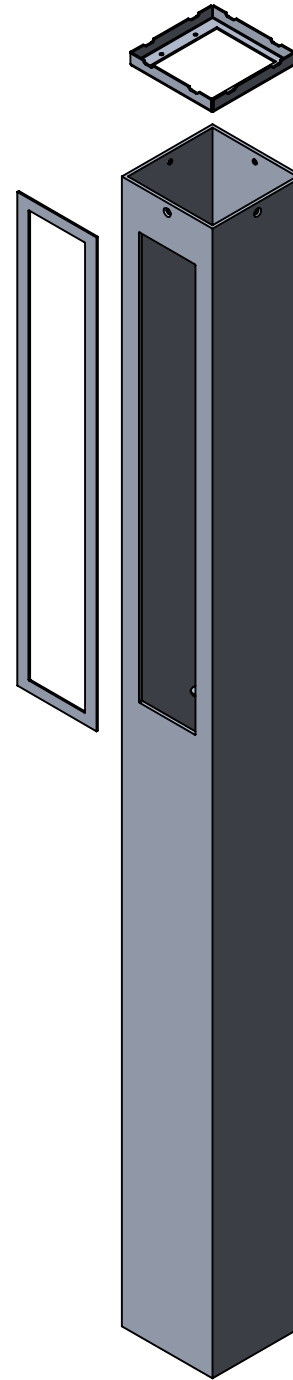
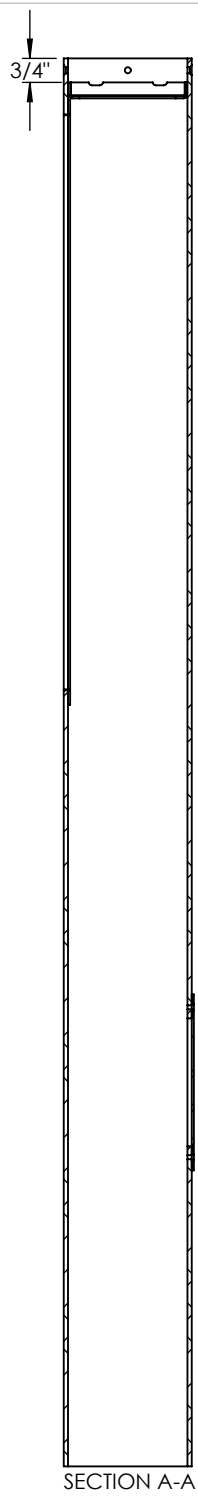
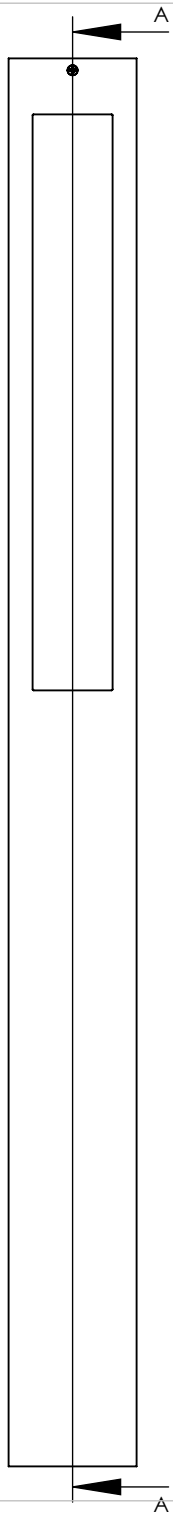
1

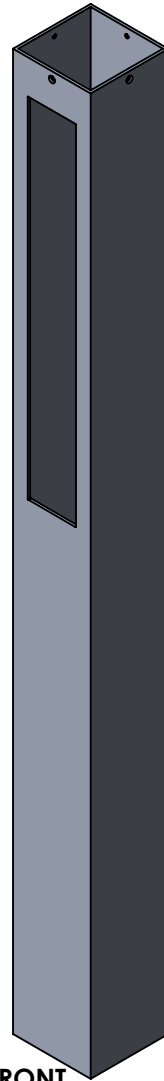
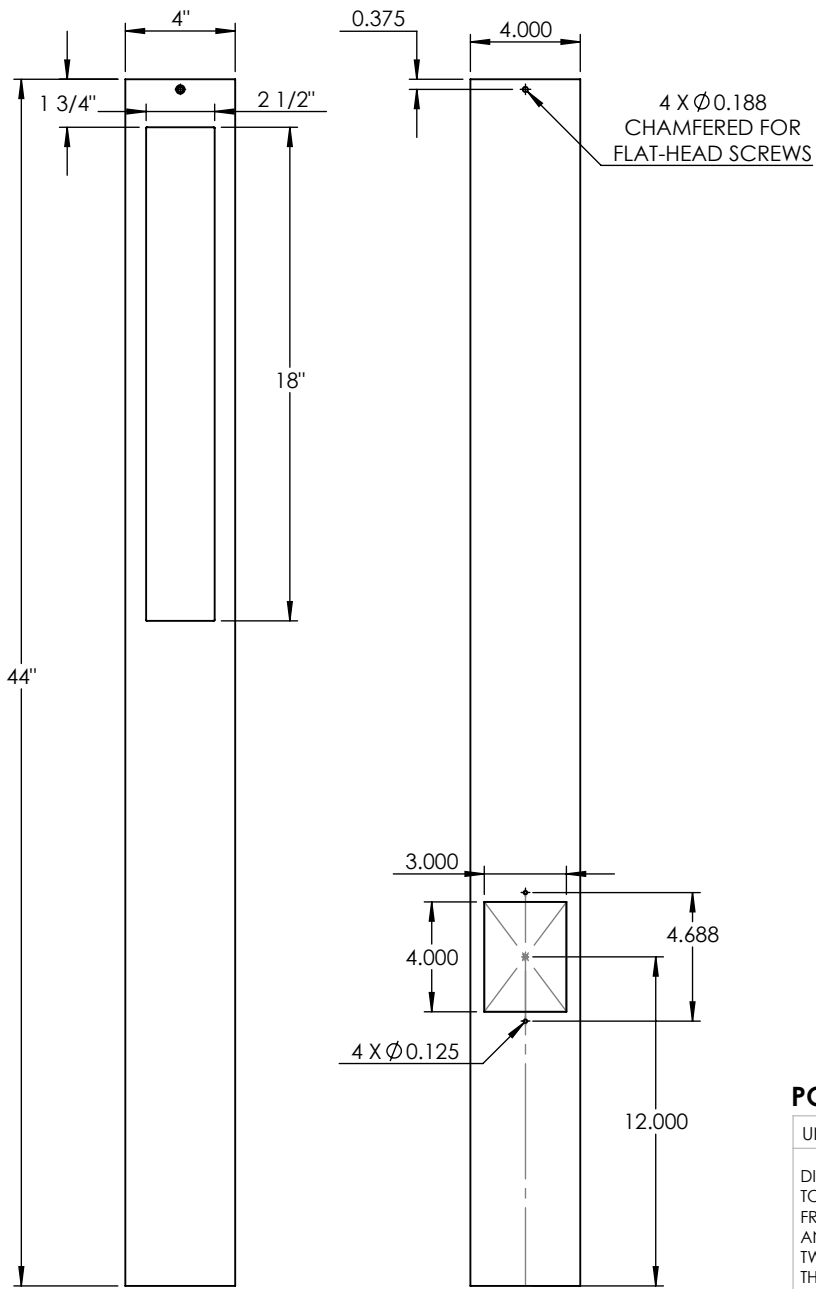




**BURIED BASE SITS 6"
BELOW CONCRETE**



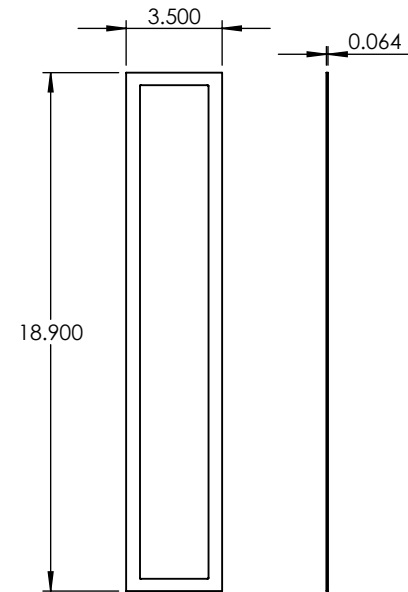
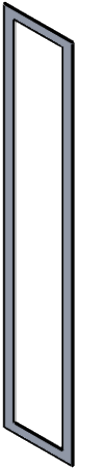




POST FRONT



POST BACK



UNLESS OTHERWISE SPECIFIED:

DIMENSIONS ARE IN INCHES
TOLERANCES:
FRACTIONAL ±
ANGULAR: MACH ± BEND ±
TWO PLACE DECIMAL ±
THREE PLACE DECIMAL ±

INTERPRET GEOMETRIC
TOLERANCING PER:

MATERIAL

FINISH

DO NOT SCALE DRAWING

NAME	DATE

DRAWN

CHECKED

ENG APPR.

MFG APPR.

Q.A.

COMMENTS:

4"X4" ALUMINUM POST

TITLE:

A-TL-BOL38"-30L-MG-WF-41K

SIZE DWG. NO.

REV

A

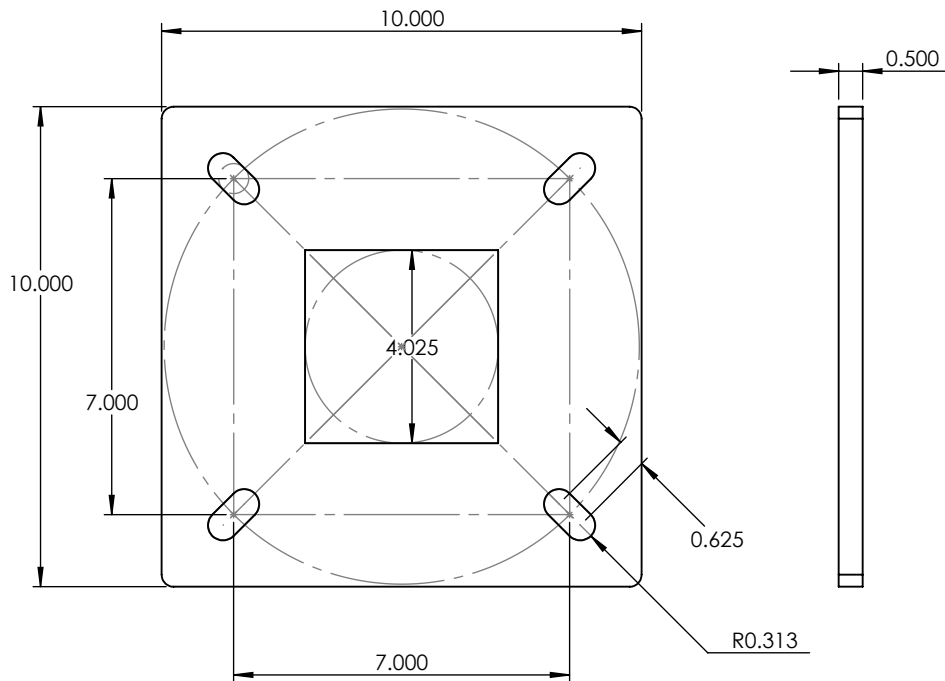
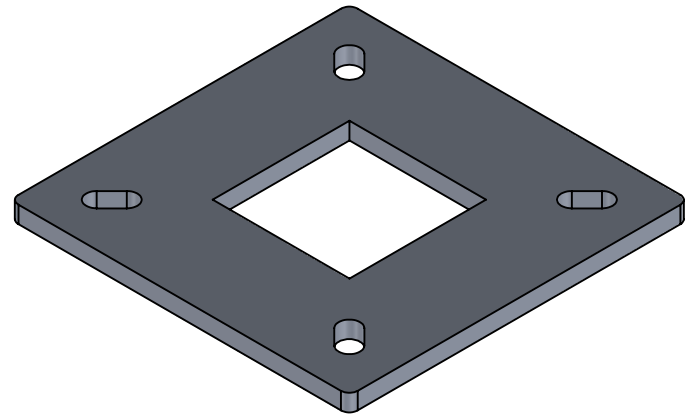
SCALE: 1:7 WEIGHT:

SHEET 5 OF 9

PROPRIETARY AND CONFIDENTIAL

THE INFORMATION CONTAINED IN THIS DRAWING IS THE SOLE PROPERTY OF <INSERT COMPANY NAME HERE>. ANY REPRODUCTION IN PART OR AS A WHOLE WITHOUT THE WRITTEN PERMISSION OF <INSERT COMPANY NAME HERE> IS PROHIBITED.

NEXT ASSY	USED ON
APPLICATION	



PROPRIETARY AND CONFIDENTIAL
 THE INFORMATION CONTAINED IN THIS DRAWING IS THE SOLE PROPERTY OF <INSERT COMPANY NAME HERE>. ANY REPRODUCTION IN PART OR AS A WHOLE WITHOUT THE WRITTEN PERMISSION OF <INSERT COMPANY NAME HERE> IS PROHIBITED.

		UNLESS OTHERWISE SPECIFIED:		NAME	DATE
		DIMENSIONS ARE IN INCHES	DRAWN		
		TOLERANCES:	CHECKED		
		FRACTIONAL ±	ENG APPR.		
		ANGULAR: MACH ± BEND ±	MFG APPR.		
		TWO PLACE DECIMAL ±	Q.A.		
		THREE PLACE DECIMAL ±	COMMENTS:		
		INTERPRET GEOMETRIC TOLERANCING PER:			
		MATERIAL			
	NEXT ASSY	USED ON			
		FINISH			
	APPLICATION	DO NOT SCALE DRAWING			

ALUMINUM 0.500" PLATE		
TITLE:		
A-TL-BOL38"-30L-MG-WF-41K		
SIZE	DWG. NO.	REV
A		
SCALE: 1:4	WEIGHT:	SHEET 6 OF 9

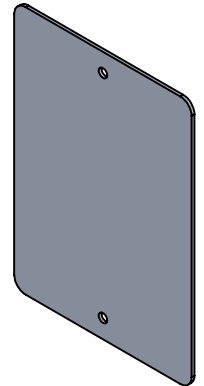
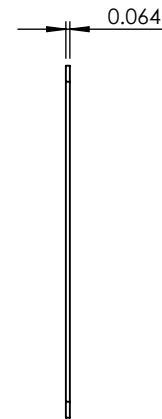
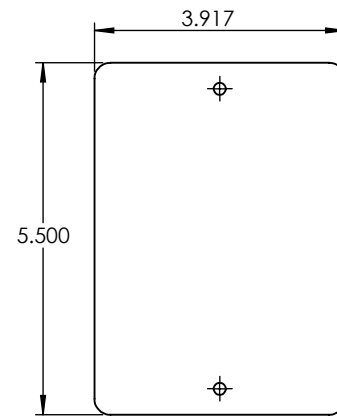
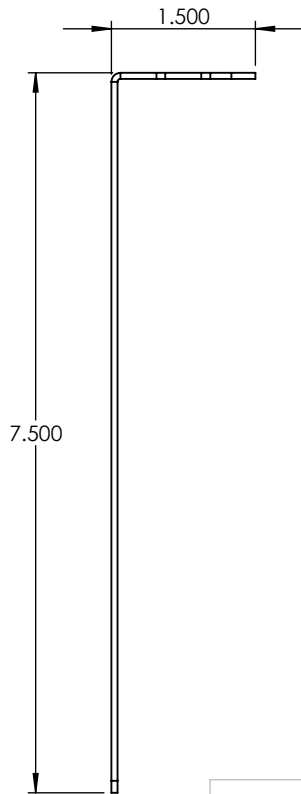
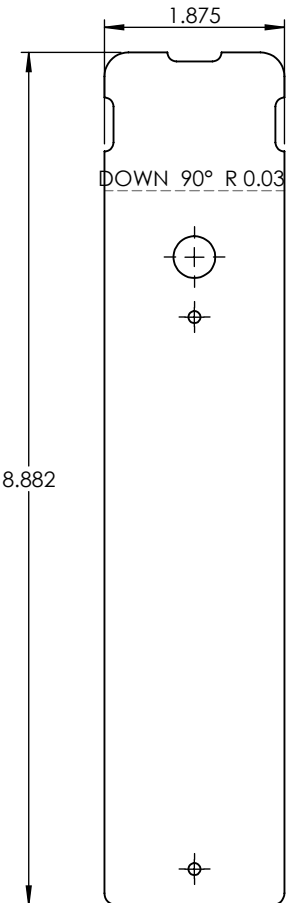
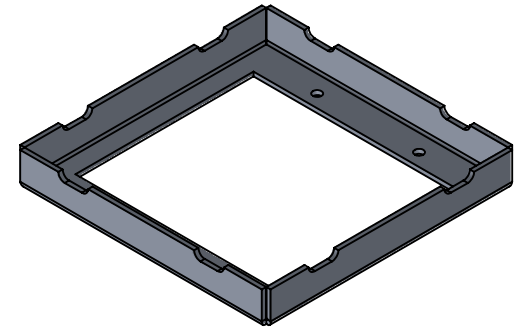
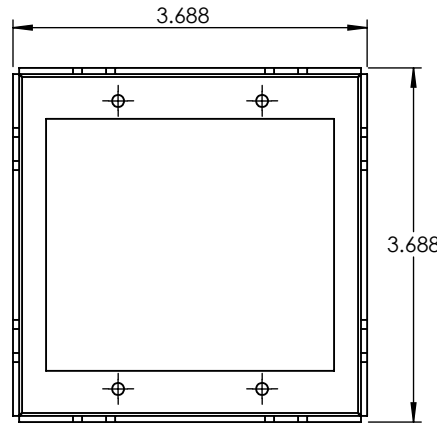
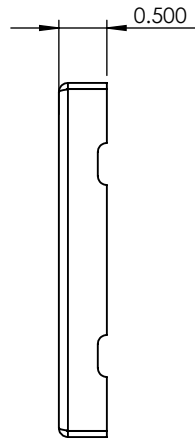
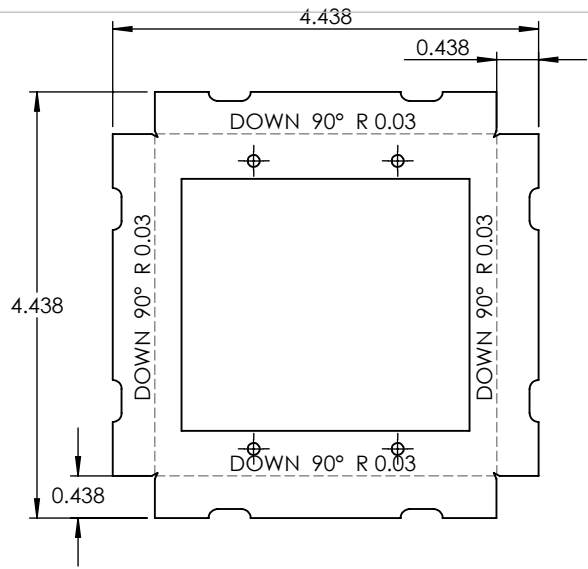
5

4

3

2

1



UNLESS OTHERWISE SPECIFIED:

DIMENSIONS ARE IN INCHES
 TOLERANCES:
 FRACTIONAL ±
 ANGULAR: MACH ± BEND ±
 TWO PLACE DECIMAL ±
 THREE PLACE DECIMAL ±

INTERPRET GEOMETRIC
 TOLERANCING PER:

MATERIAL

FINISH

	NAME	DATE
DRAWN		
CHECKED		
ENG APPR.		
MFG APPR.		
Q.A.		
COMMENTS:		

ALUMINUM 0.0635"

TITLE:

A-TL-BOL38"-30L-MG-WF-41K

SIZE	DWG. NO.	REV
A		
SCALE: 1:2	WEIGHT:	SHEET 7 OF 9

NEXT ASSY	USED ON
APPLICATION	DO NOT SCALE DRAWING

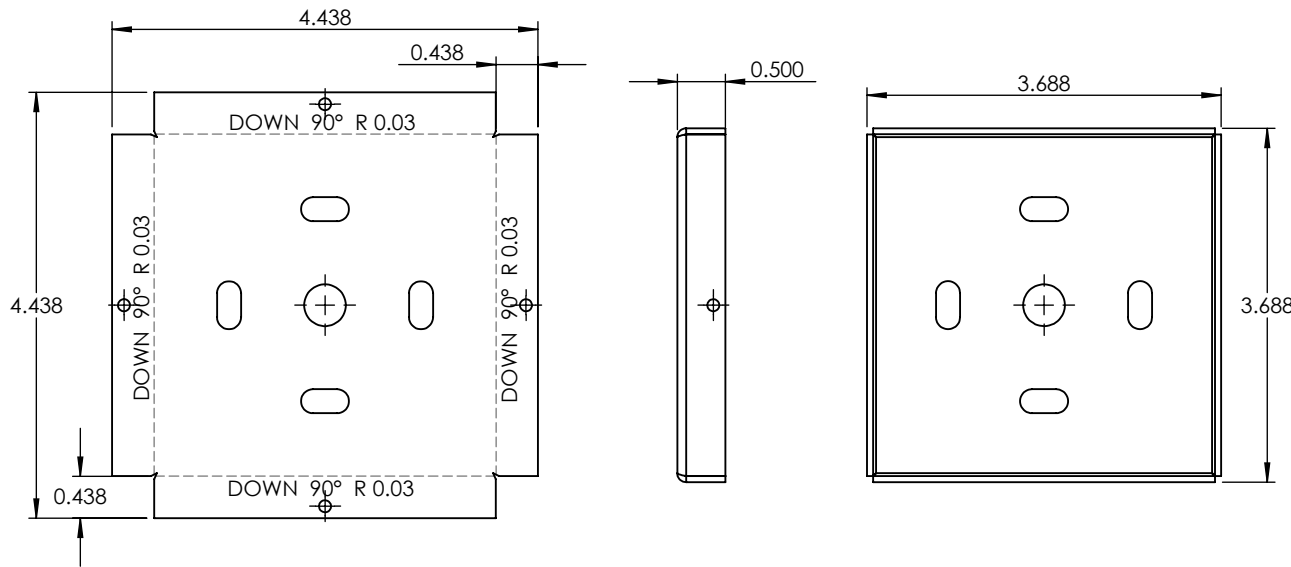
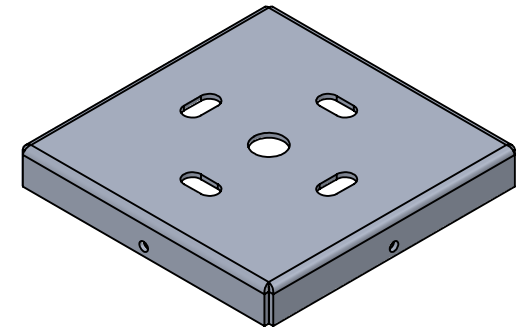
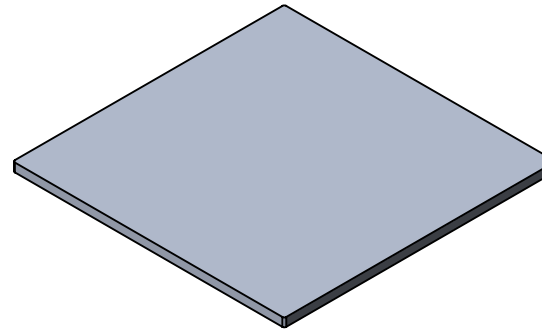
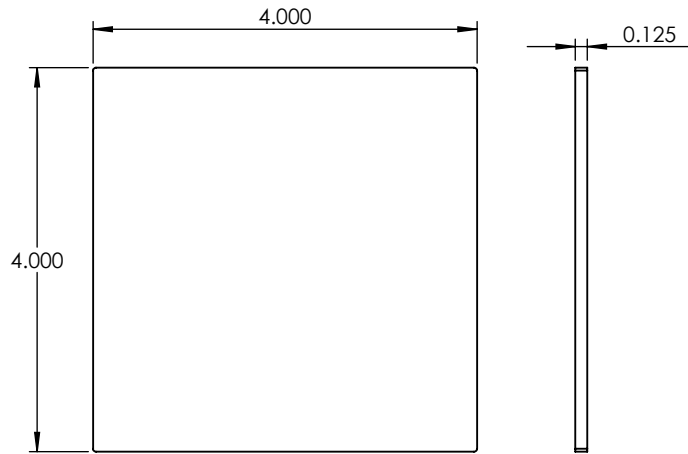
5

4

3

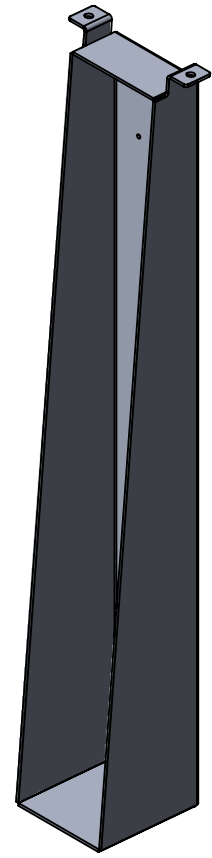
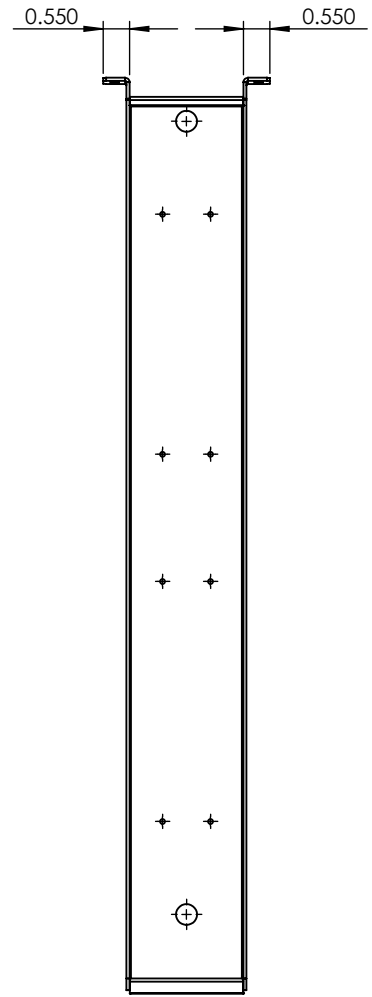
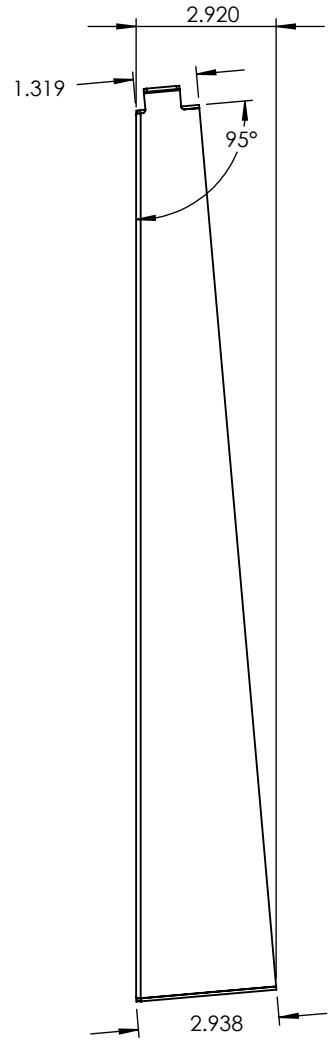
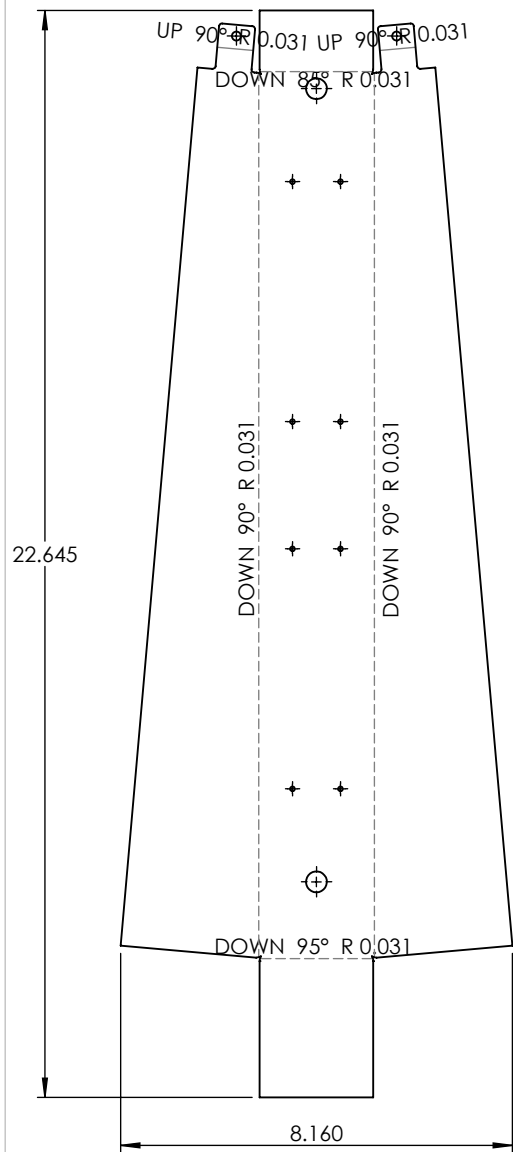
2

1



PROPRIETARY AND CONFIDENTIAL
 THE INFORMATION CONTAINED IN THIS DRAWING IS THE SOLE PROPERTY OF <INSERT COMPANY NAME HERE>. ANY REPRODUCTION IN PART OR AS A WHOLE WITHOUT THE WRITTEN PERMISSION OF <INSERT COMPANY NAME HERE> IS PROHIBITED.

		UNLESS OTHERWISE SPECIFIED:		NAME	DATE	ALUMINUM 0.0635"		
		DIMENSIONS ARE IN INCHES TOLERANCES: FRACTIONAL ± ANGULAR: MACH ± BEND ± TWO PLACE DECIMAL ± THREE PLACE DECIMAL ±	DRAWN					
		INTERPRET GEOMETRIC TOLERANCING PER:	CHECKED			A-TL-BOL38"-30L-MG-WF-41K		
		MATERIAL	ENG APPR.					
NEXT ASSY	USED ON	FINISH	MFG APPR.			A		
APPLICATION		DO NOT SCALE DRAWING	Q.A.				SCALE: 1:2	WEIGHT:
			COMMENTS:					



PROPRIETARY AND CONFIDENTIAL
 THE INFORMATION CONTAINED IN THIS DRAWING IS THE SOLE PROPERTY OF <INSERT COMPANY NAME HERE>. ANY REPRODUCTION IN PART OR AS A WHOLE WITHOUT THE WRITTEN PERMISSION OF <INSERT COMPANY NAME HERE> IS PROHIBITED.

		UNLESS OTHERWISE SPECIFIED:	NAME	DATE
		DIMENSIONS ARE IN INCHES	DRAWN	
		TOLERANCES:	CHECKED	
		FRACTIONAL ±	ENG APPR.	
		ANGULAR: MACH ± BEND ±	MFG APPR.	
		TWO PLACE DECIMAL ±	Q.A.	
		THREE PLACE DECIMAL ±	COMMENTS:	
		INTERPRET GEOMETRIC TOLERANCING PER:		
		MATERIAL		
NEXT ASSY	USED ON	FINISH		
APPLICATION		DO NOT SCALE DRAWING		

ALUMINUM 0.0635"		
TITLE:		
A-TL-BOL38"-30L-MG-WF-41K		
SIZE	DWG. NO.	REV
A		
SCALE: 1:4	WEIGHT:	SHEET 9 OF 9

5

4

3

2

1