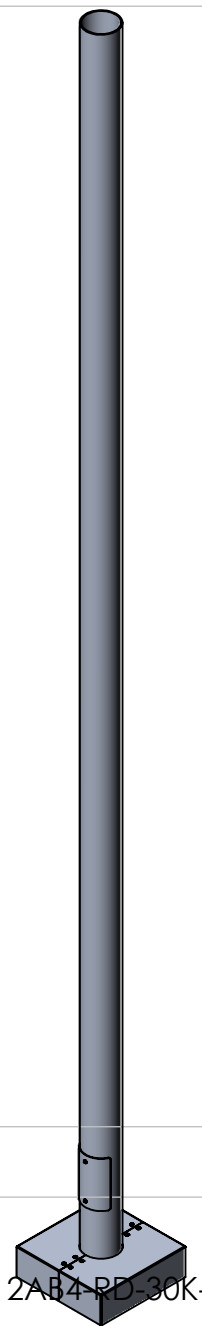
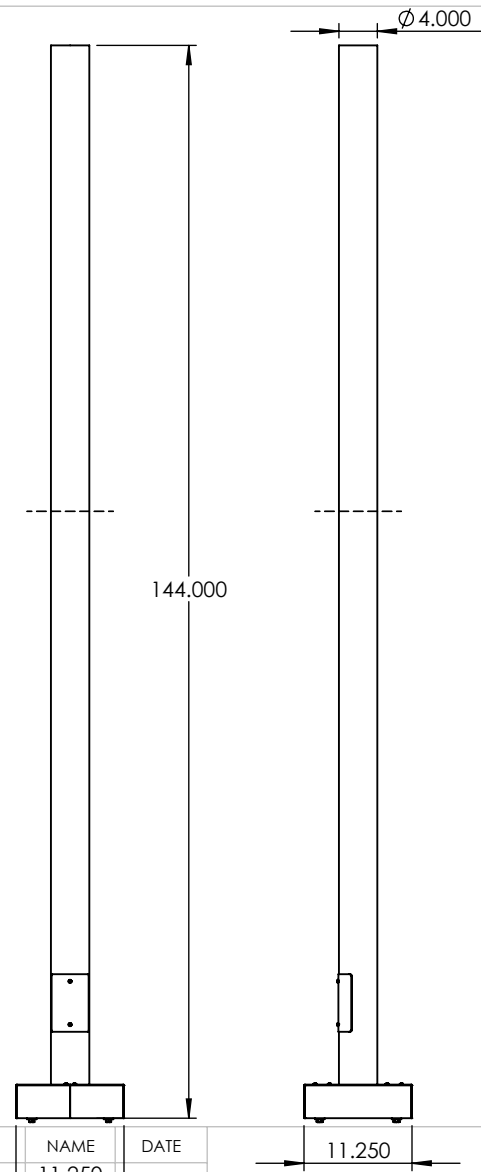
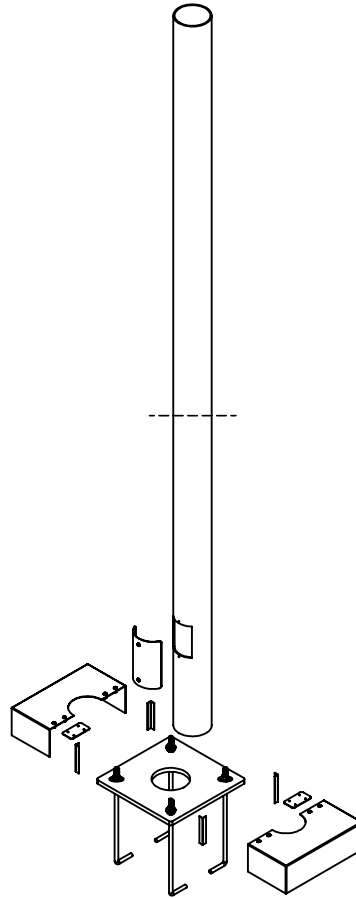
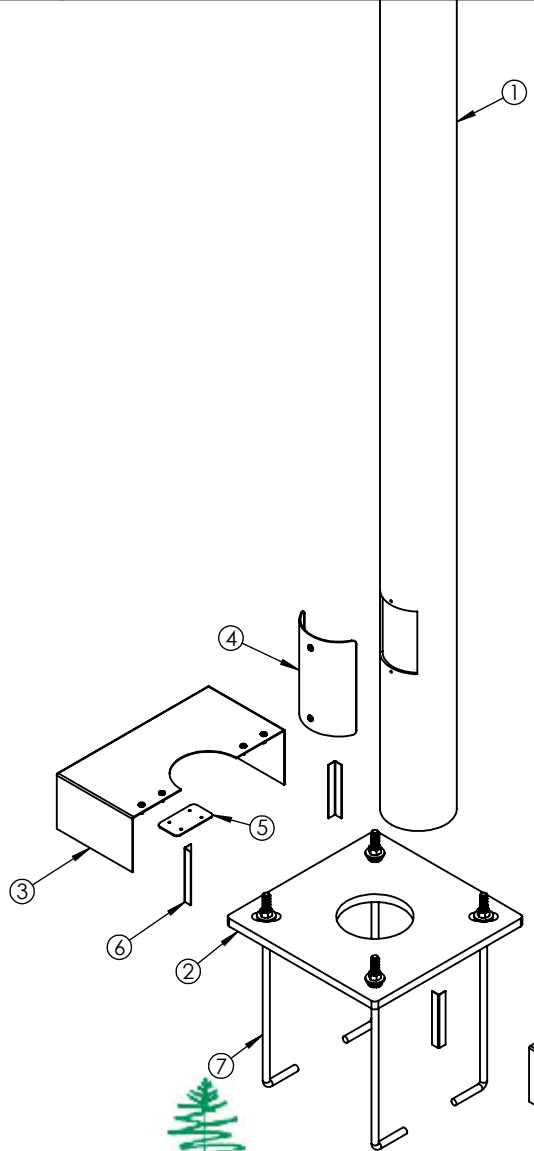


ITEM NO.	PART NUMBER	DESCRIPTION	QTY.	CUT
1	LHW-PT-50L-TBR-CP-DIM-12AB4-RD-30K-POST-4" CYLINDER POST	3" ALUMINUM TUBE	1	
2	LHW-PT-50L-TBR-CP-DIM-12AB4-RD-30K-POST-ANCHOR PLATE	ALUMINUM 0.500" PLATE	1	
3	LHW-PT-50L-TBR-CP-DIM-12AB4-RD-30K-POST-ANCHOR COVER	ALUMINUM 0.0635"	2	
4	LHW-PT-50L-TBR-CP-DIM-12AB4-RD-30K-POST-HAND COVER	ALUMINUM 0.0635"	1	
5	LHW-PT-50L-TBR-CP-DIM-12AB4-RD-30K-POST-COVER BRACKET	ALUMINUM 0.0635"	2	
6	LHW-PT-50L-TBR-CP-DIM-12AB4-RD-30K-POST-COVER TAB	25 GAUGE	4	
7	ANCHOR ASSEMBLY		ANCHOR BOLT	4



UNLESS OTHERWISE SPECIFIED:

DIMENSIONS ARE IN INCHES
 TOLERANCES:
 FRACTIONAL ± .003
 ANGULAR: MACH ± .01 BEND ±
 TWO PLACE DECIMAL ±
 THREE PLACE DECIMAL ± .001

INTERPRET GEOMETRIC
 TOLERANCING PER:

MATERIAL

FINISH

	NAME	DATE
DRAWN	11.250	
CHECKED		
ENG APPR.		
MFG APPR.		
Q.A.		

COMMENTS:

TITLE:

LHW-PT-50L-TBR-CP-DIM-12AB4-RD-30K-POST

SIZE DWG. NO. REV
A TICKET 23472

SCALE: 1:20 WEIGHT: SHEET 1 OF 6

EVERGREEN LIGHTING

ALL BEND RADIUS .030"

APPLICATION

DO NOT SCALE DRAWING

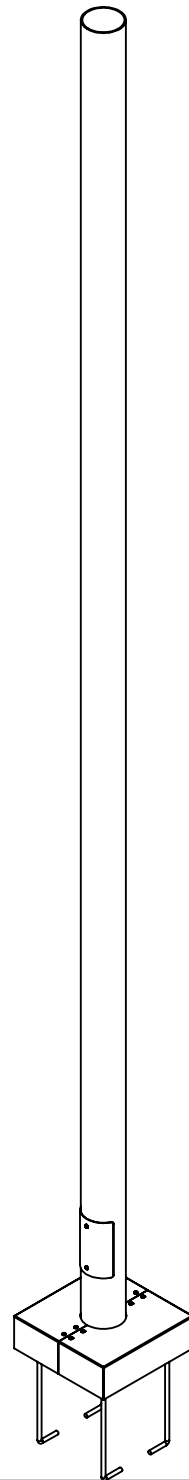
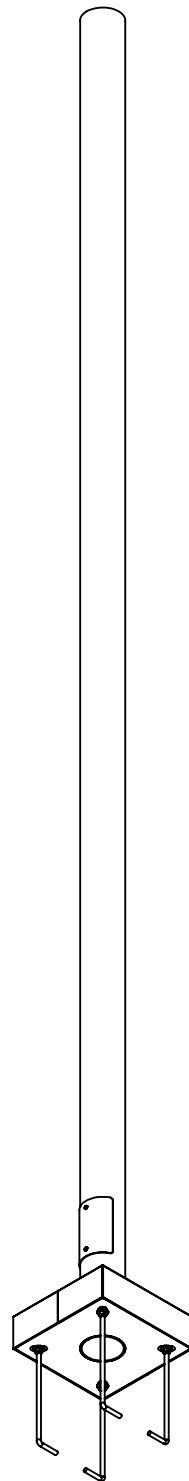
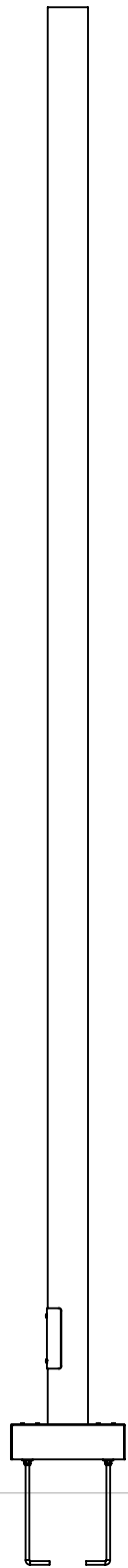
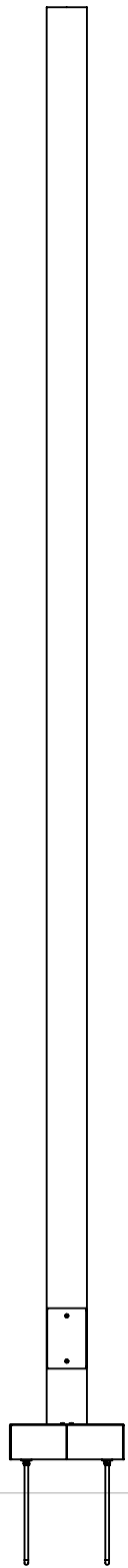
5

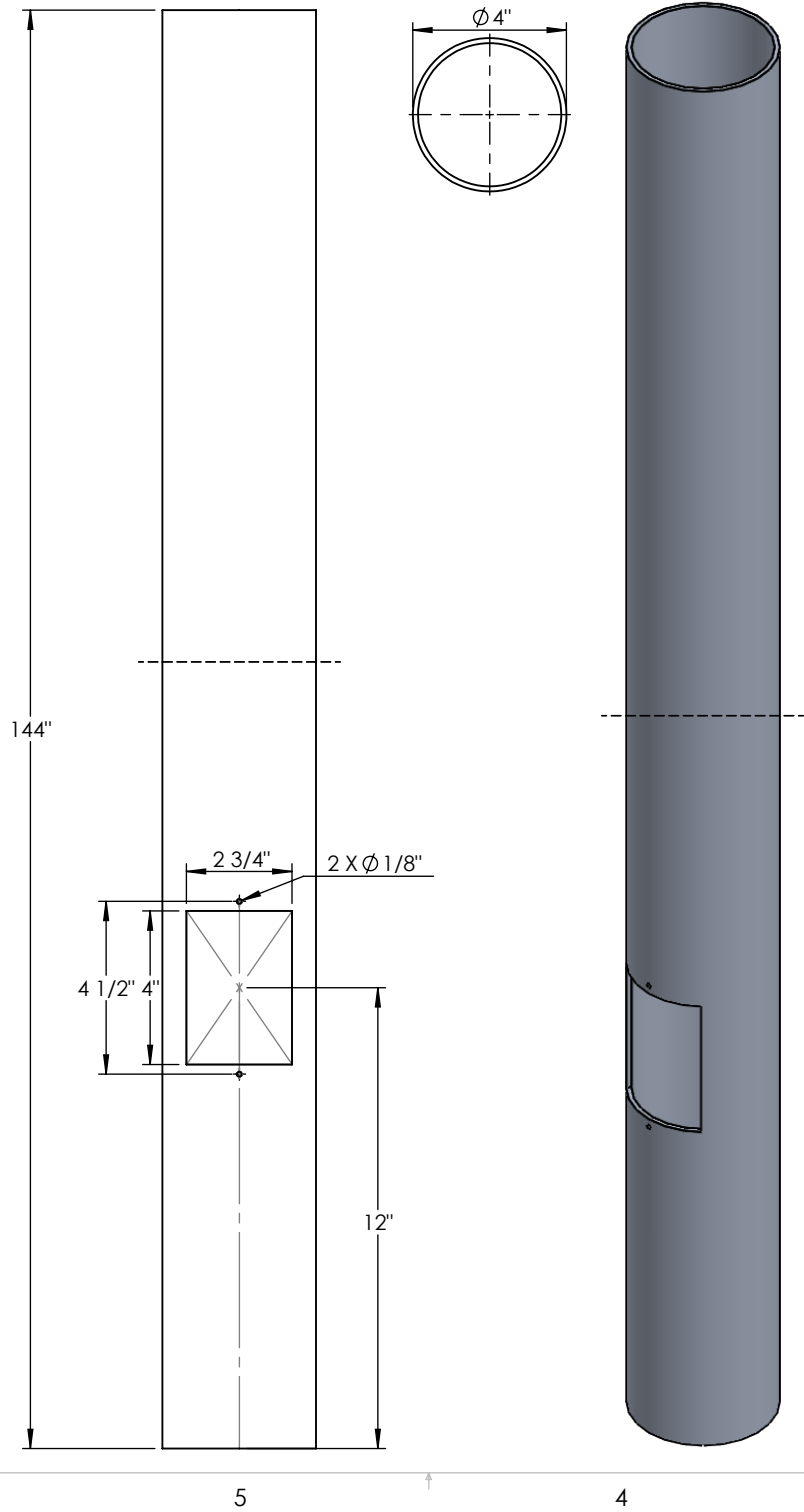
4

3

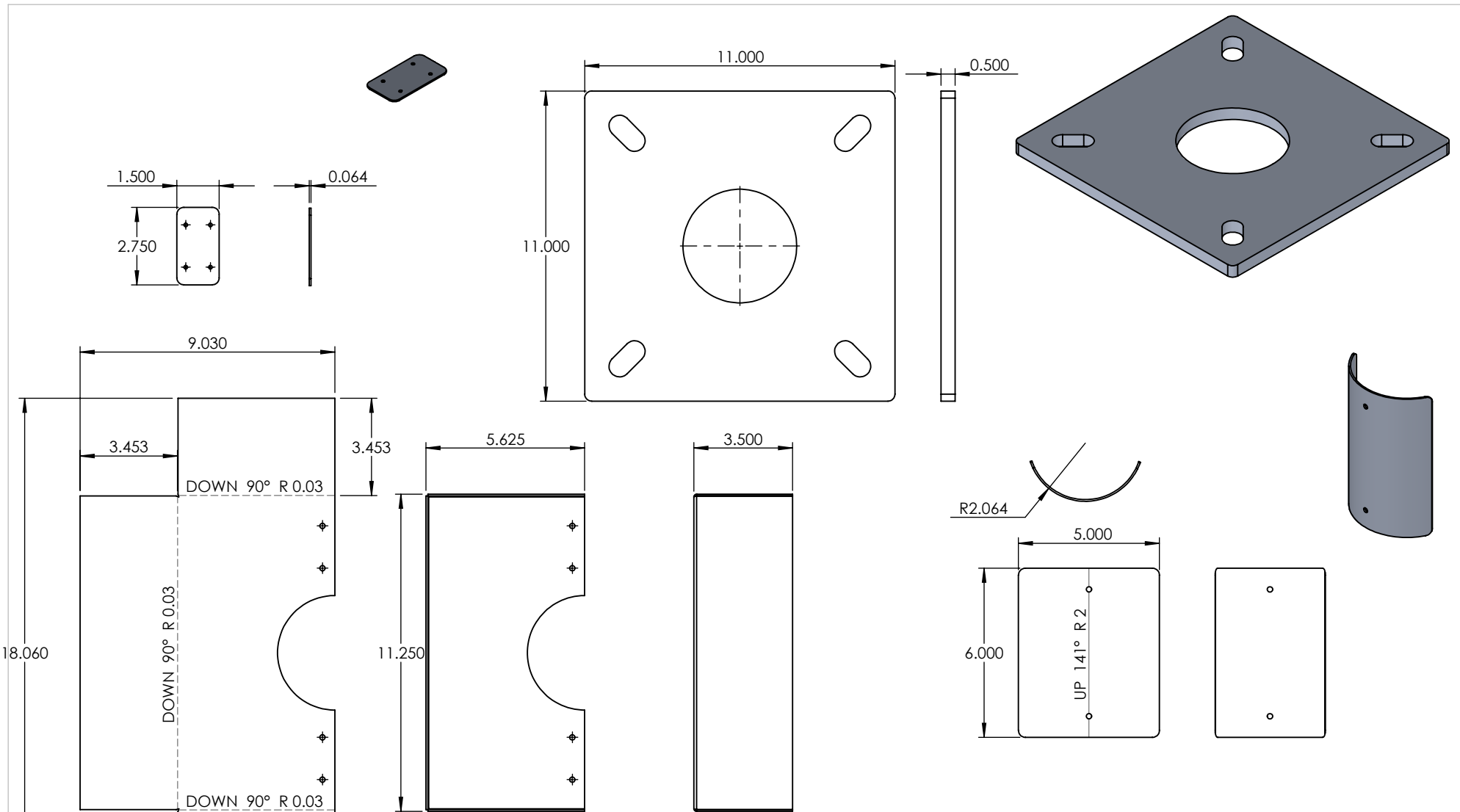
2

1





UNLESS OTHERWISE SPECIFIED:		NAME	DATE	3" ALUMINUM TUBE	
DIMENSIONS ARE IN INCHES		DRAWN			
TOLERANCES:		CHECKED		LHW-PT-50L-TBR-CP-DIM-12AB4-RD-30K-POST	
FRACTIONAL ±		ENG APPR.			
ANGULAR: MACH ± BEND ±		MFG APPR.		SCALE: 1:2 WEIGHT: SHEET 3 OF 6	
TWO PLACE DECIMAL ±		Q.A.			
THREE PLACE DECIMAL ±		COMMENTS:			
INTERPRET GEOMETRIC TOLERANCING PER:					
MATERIAL					
FINISH					



PROPRIETARY AND CONFIDENTIAL
 THE INFORMATION CONTAINED IN THIS DRAWING IS THE SOLE PROPERTY OF <INSERT COMPANY NAME HERE>. ANY REPRODUCTION IN PART OR AS A WHOLE WITHOUT THE WRITTEN PERMISSION OF <INSERT COMPANY NAME HERE> IS PROHIBITED.

		UNLESS OTHERWISE SPECIFIED:		NAME	DATE
		DIMENSIONS ARE IN INCHES	DRAWN		
		TOLERANCES:	CHECKED		
		FRACTIONAL ±	ENG APPR.		
		ANGULAR: MACH ± BEND ±	MFG APPR.		
		TWO PLACE DECIMAL ±	Q.A.		
		THREE PLACE DECIMAL ±	COMMENTS:		
		INTERPRET GEOMETRIC TOLERANCING PER:			
		MATERIAL			
		FINISH			
NEXT ASSY	USED ON				
APPLICATION	DO NOT SCALE DRAWING				

ALUMINUM 0.500" PLATE		
TITLE:		
LHW-PT-50L-TBR-CP-DIM-12AB4-RD-30K-POST		
SIZE	DWG. NO.	REV
A		
SCALE: 1:5	WEIGHT:	SHEET 4 OF 6

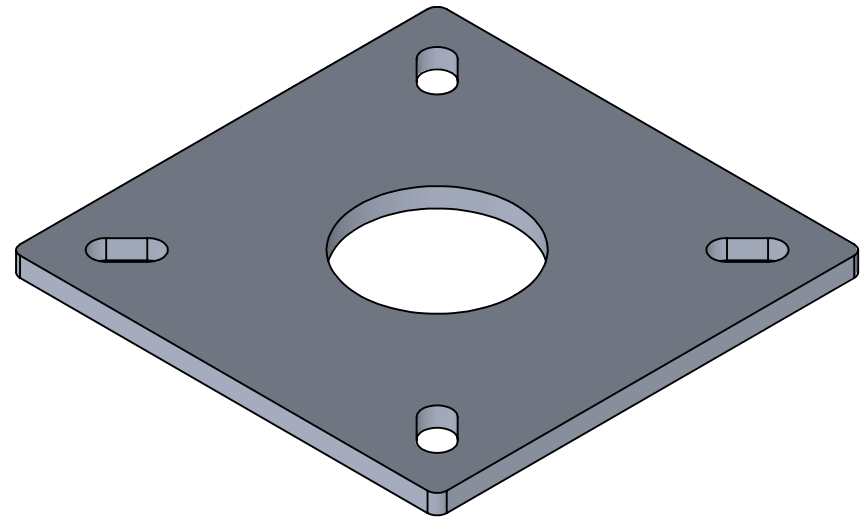
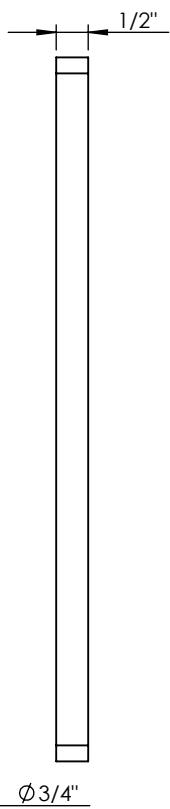
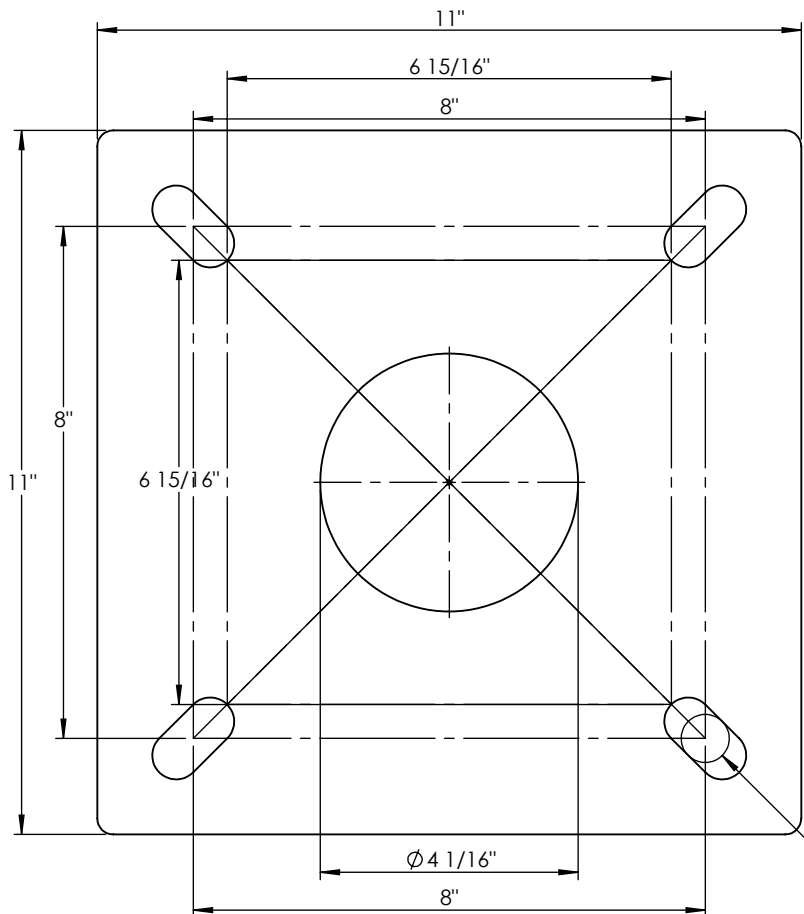
5

4

3

2

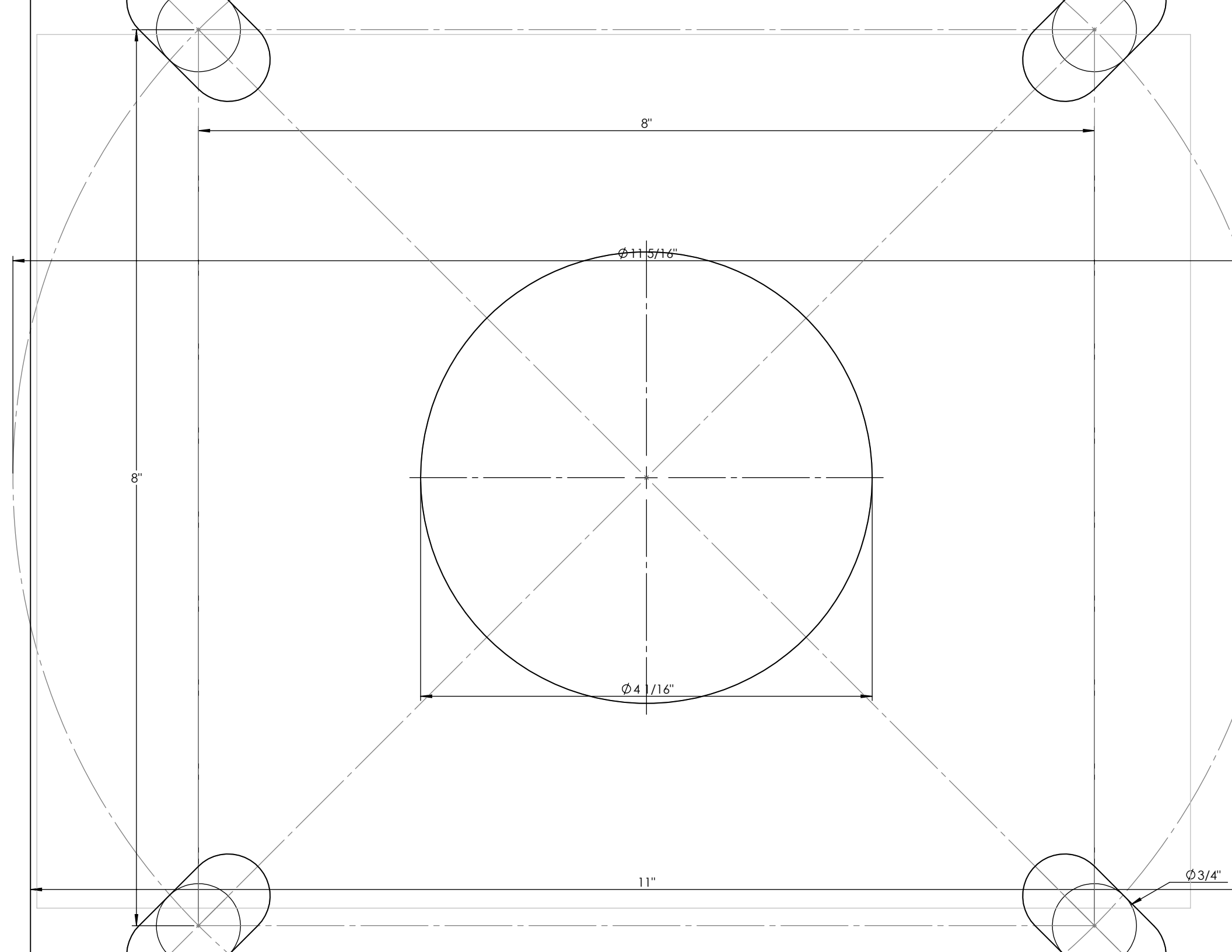
1



UNLESS OTHERWISE SPECIFIED:		NAME	DATE	ALUMINUM 0.500" PLATE	
DIMENSIONS ARE IN INCHES TOLERANCES: FRACTIONAL ± ANGULAR: MACH ± BEND ± TWO PLACE DECIMAL ± THREE PLACE DECIMAL ±		DRAWN			
INTERPRET GEOMETRIC TOLERANCING PER:		CHECKED		LHW-PT-50L-TBR-CP-DIM-12AB4-RD-30K-POST	
		ENG APPR.			
		MFG APPR.			
MATERIAL		Q.A.		REV	
FINISH		COMMENTS:		SCALE: 1:3 WEIGHT: SHEET 5 OF 6	
DO NOT SCALE DRAWING					

PROPRIETARY AND CONFIDENTIAL
 THE INFORMATION CONTAINED IN THIS DRAWING IS THE SOLE PROPERTY OF <INSERT COMPANY NAME HERE>. ANY REPRODUCTION IN PART OR AS A WHOLE WITHOUT THE WRITTEN PERMISSION OF <INSERT COMPANY NAME HERE> IS PROHIBITED.

NEXT ASSY	USED ON
APPLICATION	



8"

8"

$\phi 1\frac{5}{16}$ "

$\phi 1\frac{5}{16}$ "

11"

$\phi \frac{3}{4}$ "