

ALL BEND RADIUS .030"

UNLESS OTHERWISE SPECIFIED:	NAME	DATE
DIMENSIONS ARE IN INCHES	DRAWN	
TOLERANCES:	CHECKED	
FRACTIONAL ± .003	ENG APPR.	
ANGULAR: MACH ± .01 BEND ±	MFG APPR.	
TWO PLACE DECIMAL ±	Q.A.	
THREE PLACE DECIMAL ±.001	COMMENTS:	
INTERPRET GEOMETRIC TOLERANCING PER:		
MATERIAL		
FINISH		
APPLICATION		
DO NOT SCALE DRAWING		

TITLE:  
LG-PST-15FT-70W-MBK-CA-30K 1

SIZE DWG. NO. REV  
**A** TICKET 23927

SCALE: 1:10 WEIGHT: SHEET 1 OF 8

5

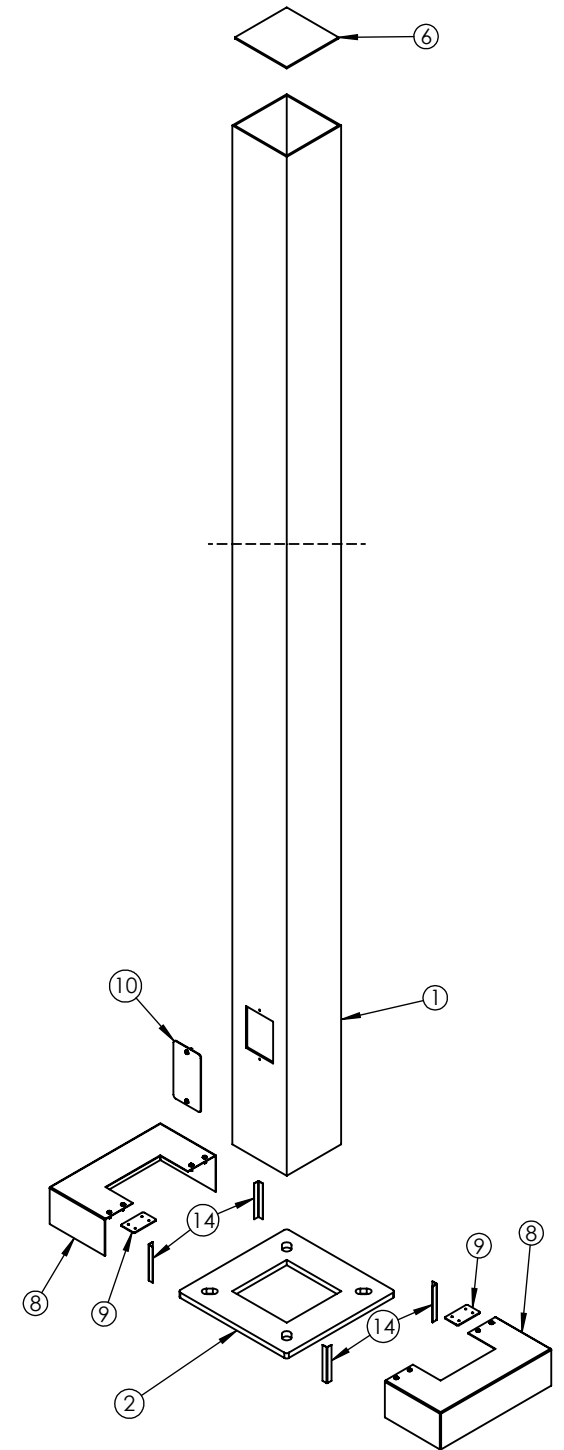
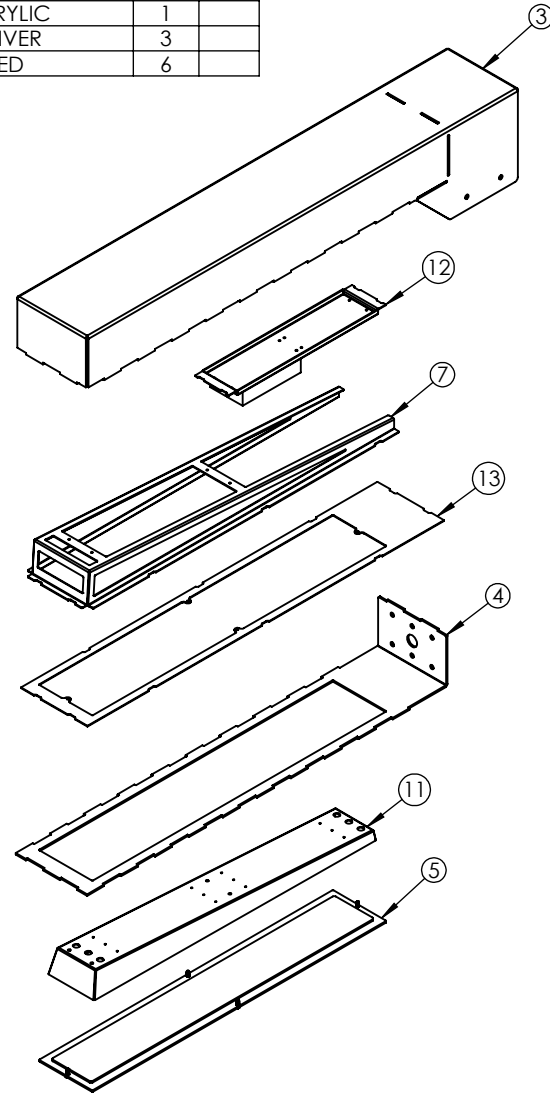
4

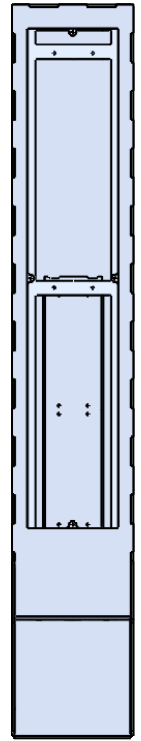
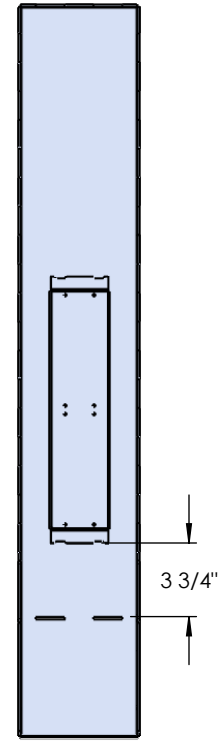
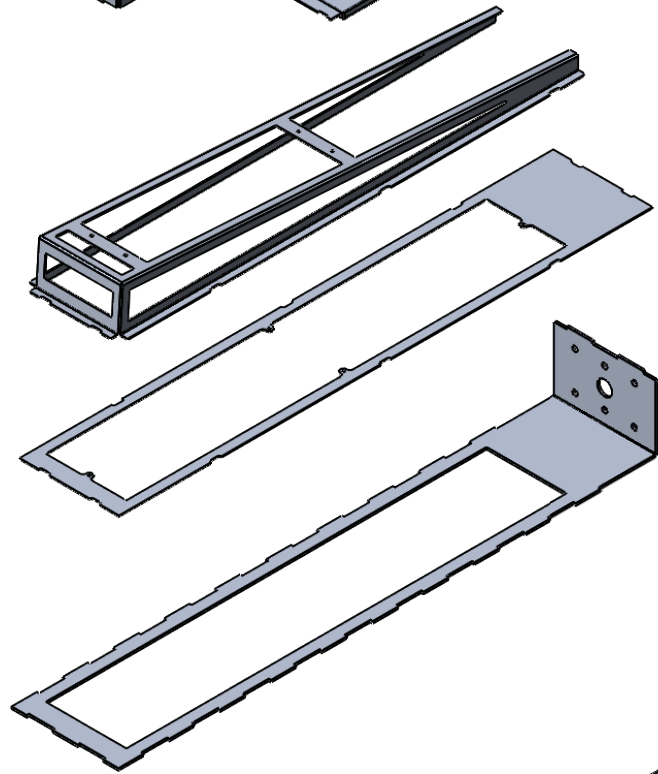
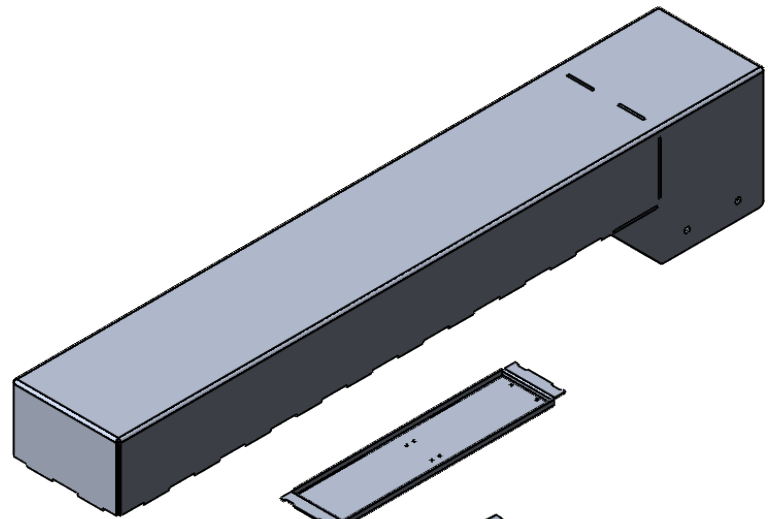
3

2

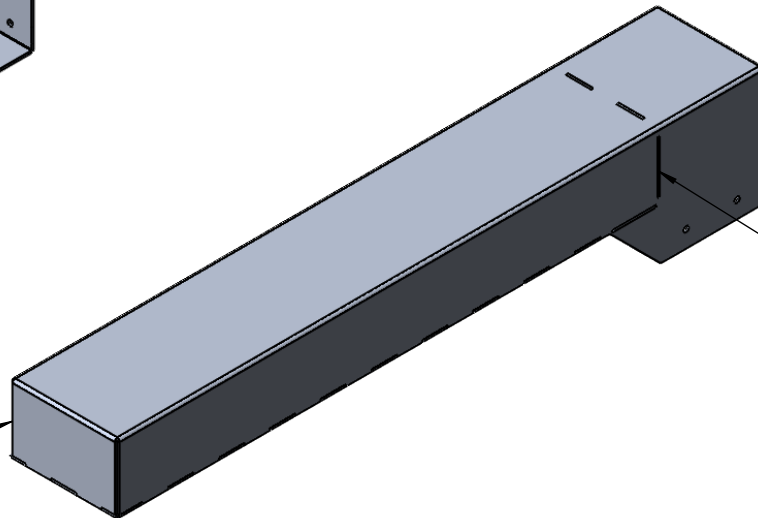
1

ITEM NO.	PART NUMBER	DESCRIPTION	QTY.	CUT
1	LG-PST-15FT-70W-MBK-CA-30K-POST CYLINDER	6"X6" POST 28" LENGTH	1	
2	LG-PST-15FT-70W-MBK-CA-30K-BASE PLATE	ALUMINUM 0.500"	1	
3	LG-PST-15FT-70W-MBK-CA-30K-TOP	ALUMINUM 0.125" PLATE	1	
4	LG-PST-15FT-70W-MBK-CA-30K-BACKSIDE	ALUMINUM 0.125" PLATE	1	
5	LG-PST-15FT-70W-MBK-CA-30K-DOOR	ALUMINUM 0.125" PLATE	1	
6	LG-PST-15FT-70W-MBK-CA-30K-FITTER COVER	ALUMINUM 0.125" PLATE	1	
7	LG-PST-15FT-70W-MBK-CA-30K-LED BRACKET ANGLED	ALUMINUM .0635"	1	
8	LG-PST-15FT-70W-MBK-CA-30K-COVER	ALUMINUM 0.0635"	2	
9	LG-PST-15FT-70W-MBK-CA-30K-FLAT BRACKET	ALUMINUM 0.0635"	2	
10	LG-PST-15FT-70W-MBK-CA-30K-HAND COVER	ALUMINUM 0.0635"	1	
11	LG-PST-15FT-70W-MBK-CA-30K-LED SPACER	ALUMINUM 0.0635"	1	
12	LG-PST-15FT-70W-MBK-CA-30K-DRIVER BRACKET	ALUMINUM 0.0635"	1	
13	LG-PST-15FT-70W-MBK-CA-30K-FRAME PLATE BOTTOM	ALUMINUM 0.0635"	1	
14	LG-PST-15FT-70W-MBK-CA-30K-COVER TAB	25 GAUGE	4	
15	LG-PST-15FT-70W-MBK-CA-30K-ACRYLIC	ACRYLIC	1	
16	KTLD-25-UV-700-VDIM-LA1	DRIVER	3	
17	AltaiLED_PN110B_RevC	LED	6	

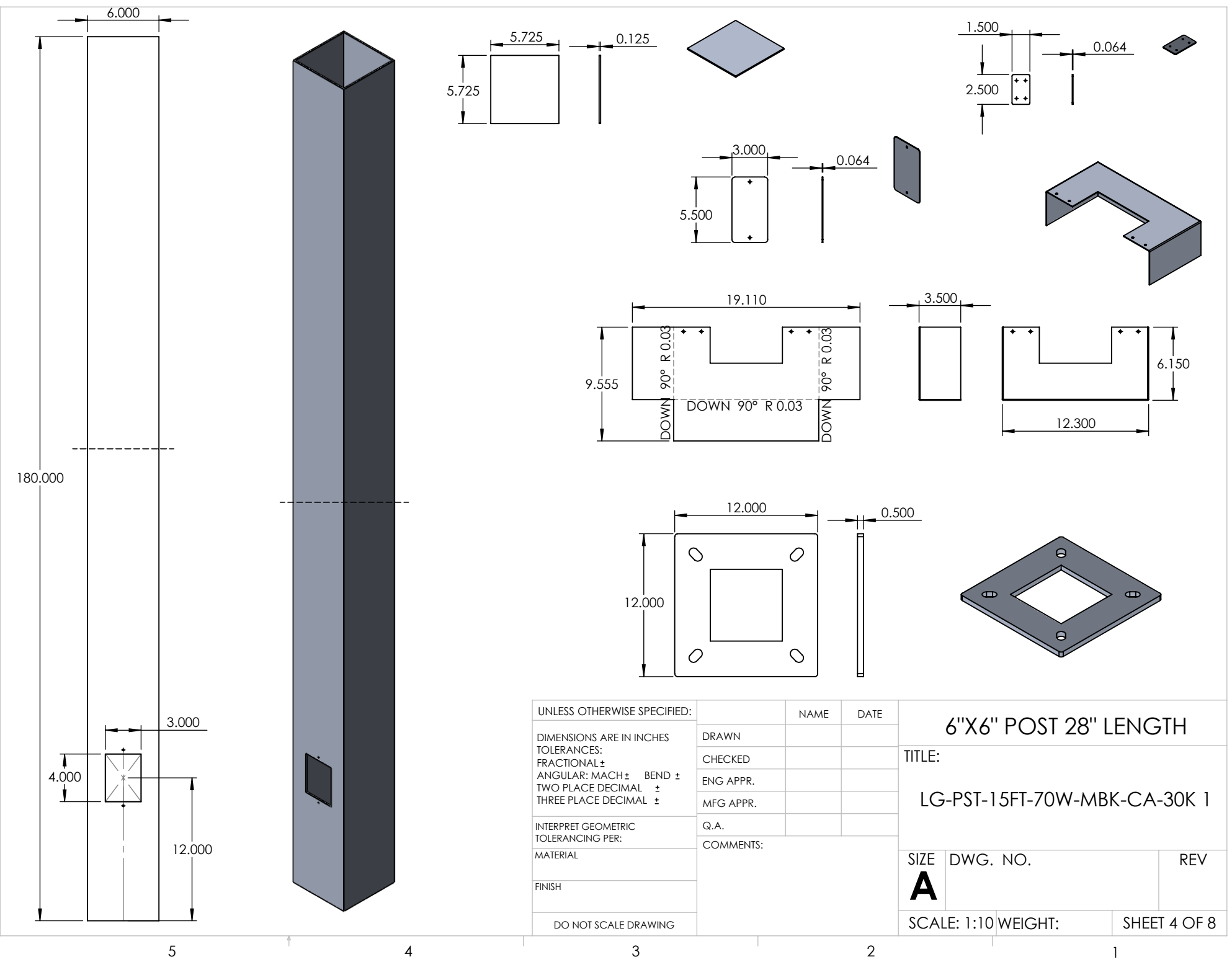




ALL CORNERS WELDED



ALL SLOTS WELDED



UNLESS OTHERWISE SPECIFIED:		NAME	DATE	6"X6" POST 28" LENGTH		
DIMENSIONS ARE IN INCHES		DRAWN				TITLE:
TOLERANCES:		CHECKED		LG-PST-15FT-70W-MBK-CA-30K 1		
FRACTIONAL ±		ENG APPR.				
ANGULAR: MACH ± BEND ±		MFG APPR.		SIZE	DWG. NO.	REV
TWO PLACE DECIMAL ±		Q.A.		<b>A</b>		
THREE PLACE DECIMAL ±		COMMENTS:			SCALE: 1:10	WEIGHT:
INTERPRET GEOMETRIC TOLERANCING PER:						
MATERIAL						
FINISH						
DO NOT SCALE DRAWING						

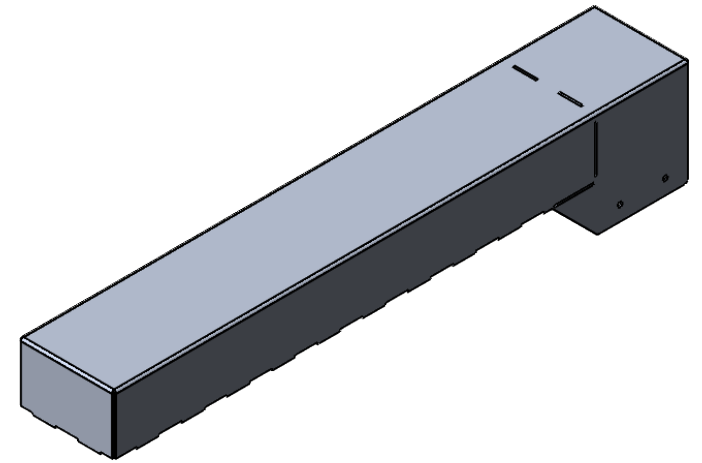
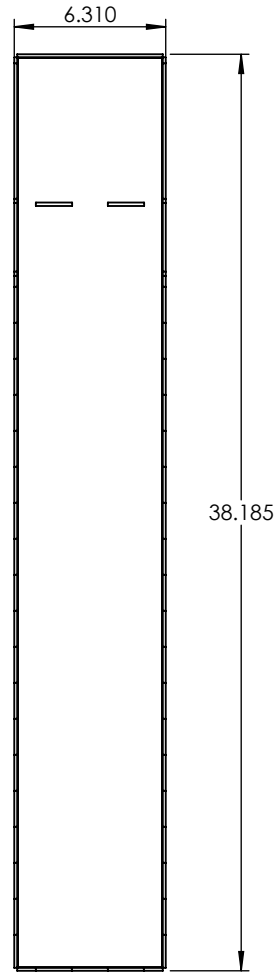
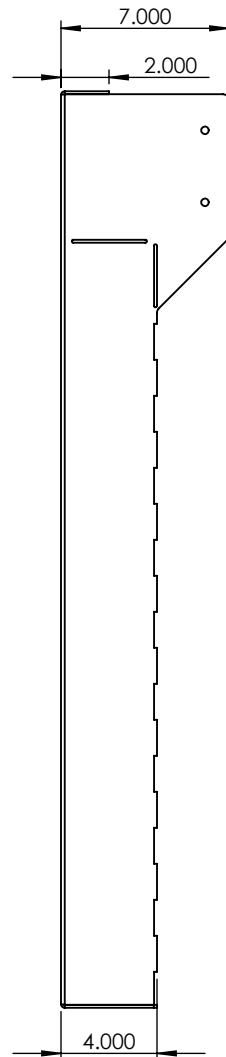
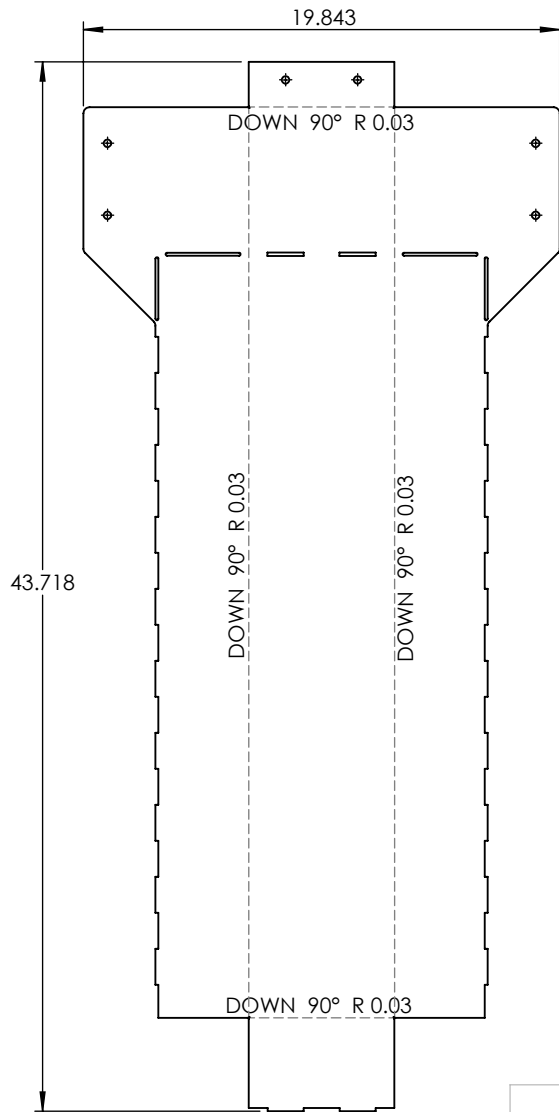
5

4

3

2

1



**PROPRIETARY AND CONFIDENTIAL**  
 THE INFORMATION CONTAINED IN THIS DRAWING IS THE SOLE PROPERTY OF <INSERT COMPANY NAME HERE>. ANY REPRODUCTION IN PART OR AS A WHOLE WITHOUT THE WRITTEN PERMISSION OF <INSERT COMPANY NAME HERE> IS PROHIBITED.

		UNLESS OTHERWISE SPECIFIED:	NAME	DATE
		DIMENSIONS ARE IN INCHES	DRAWN	
		TOLERANCES:	CHECKED	
		FRACTIONAL ±	ENG APPR.	
		ANGULAR: MACH ± BEND ±	MFG APPR.	
		TWO PLACE DECIMAL ±	Q.A.	
		THREE PLACE DECIMAL ±	COMMENTS:	
		INTERPRET GEOMETRIC TOLERANCING PER:		
		MATERIAL		
NEXT ASSY	USED ON	FINISH		
APPLICATION		DO NOT SCALE DRAWING		

ALUMINUM 0.125" PLATE		
TITLE:		
LG-PST-15FT-70W-MBK-CA-30K 1		
SIZE	DWG. NO.	REV
<b>A</b>		
SCALE: 1:8	WEIGHT:	SHEET 5 OF 8

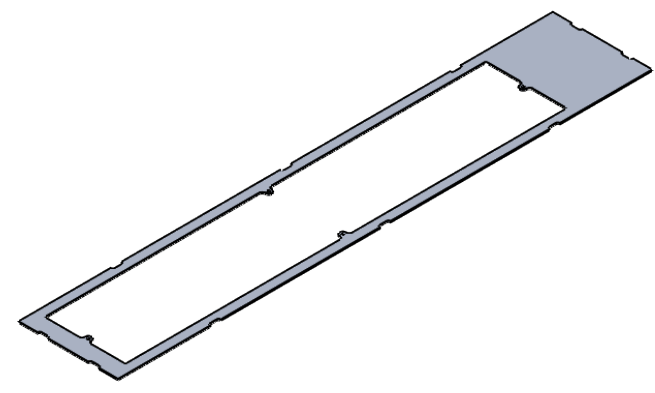
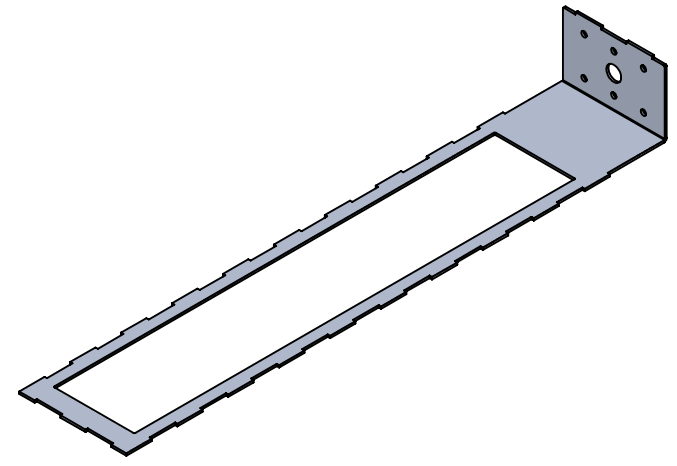
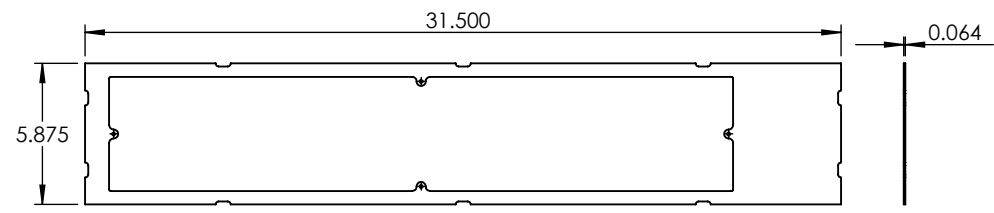
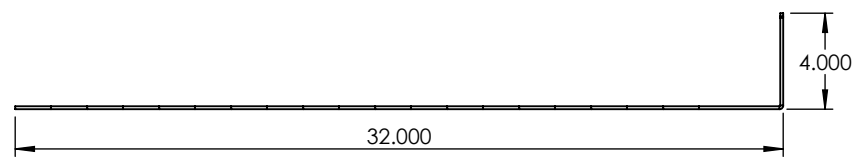
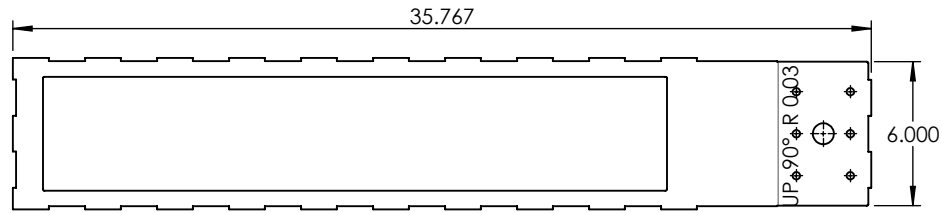
5

4

3

2

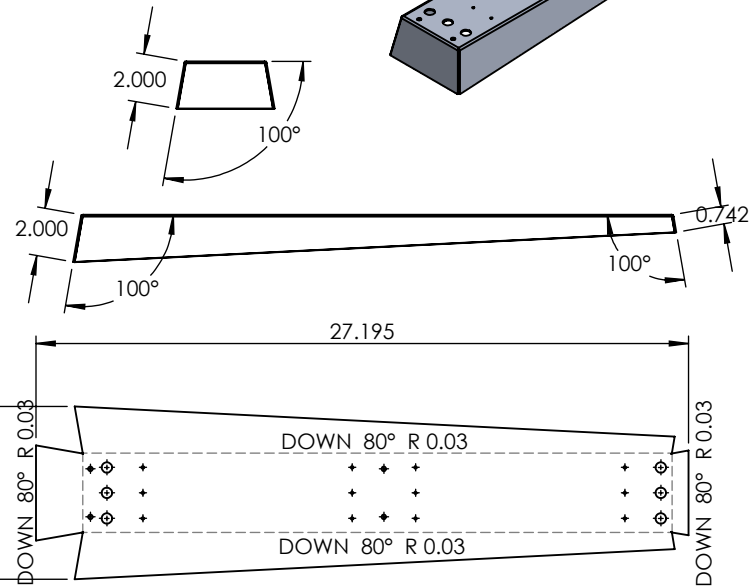
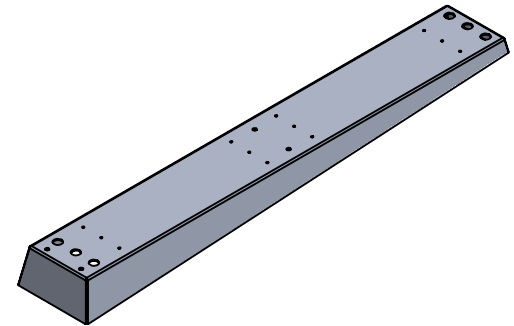
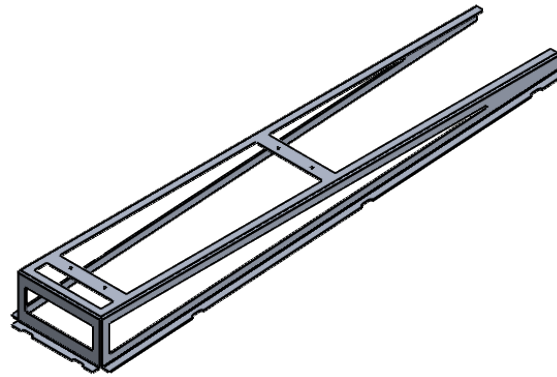
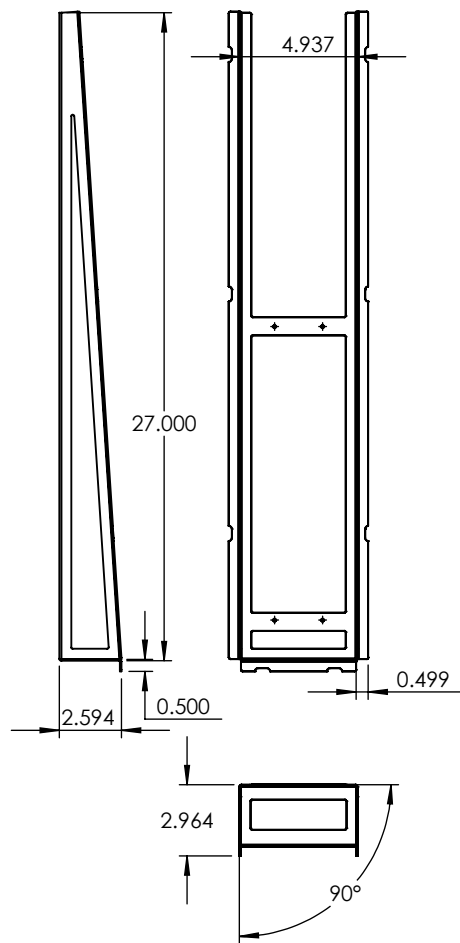
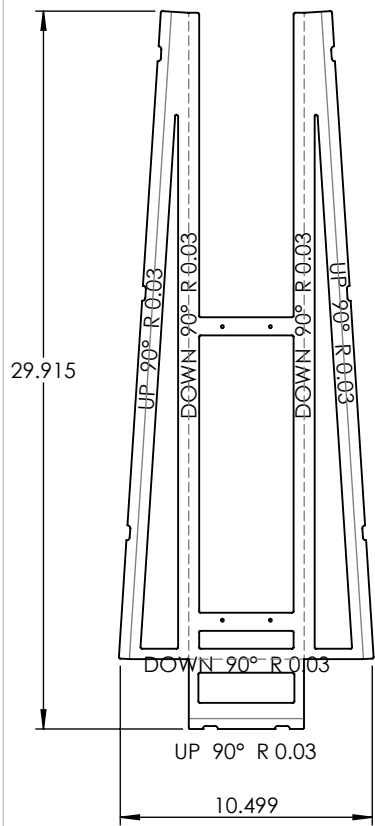
1



**PROPRIETARY AND CONFIDENTIAL**  
 THE INFORMATION CONTAINED IN THIS DRAWING IS THE SOLE PROPERTY OF <INSERT COMPANY NAME HERE>. ANY REPRODUCTION IN PART OR AS A WHOLE WITHOUT THE WRITTEN PERMISSION OF <INSERT COMPANY NAME HERE> IS PROHIBITED.

		UNLESS OTHERWISE SPECIFIED:		NAME	DATE
		DIMENSIONS ARE IN INCHES TOLERANCES: FRACTIONAL ± ANGULAR: MACH ± BEND ± TWO PLACE DECIMAL ± THREE PLACE DECIMAL ±		DRAWN	
		INTERPRET GEOMETRIC TOLERANCING PER:		CHECKED	
		MATERIAL		ENG APPR.	
		FINISH		MFG APPR.	
				Q.A.	
				COMMENTS:	
NEXT ASSY	USED ON				
APPLICATION		DO NOT SCALE DRAWING			

ALUMINUM 0.0635"		
TITLE:		
LG-PST-15FT-70W-MBK-CA-30K 1		
SIZE	DWG. NO.	REV
<b>A</b>		
SCALE: 1:8	WEIGHT:	SHEET 6 OF 8



**PROPRIETARY AND CONFIDENTIAL**  
 THE INFORMATION CONTAINED IN THIS DRAWING IS THE SOLE PROPERTY OF <INSERT COMPANY NAME HERE>. ANY REPRODUCTION IN PART OR AS A WHOLE WITHOUT THE WRITTEN PERMISSION OF <INSERT COMPANY NAME HERE> IS PROHIBITED.

		UNLESS OTHERWISE SPECIFIED:		NAME	DATE
		DIMENSIONS ARE IN INCHES	DRAWN		
		TOLERANCES:	CHECKED		
		FRACTIONAL ±	ENG APPR.		
		ANGULAR: MACH ± BEND ±	MFG APPR.		
		TWO PLACE DECIMAL ±	Q.A.		
		THREE PLACE DECIMAL ±	COMMENTS:		
		INTERPRET GEOMETRIC TOLERANCING PER:			
		MATERIAL			
		FINISH			
NEXT ASSY	USED ON				
APPLICATION		DO NOT SCALE DRAWING			

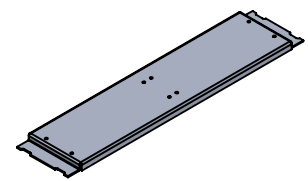
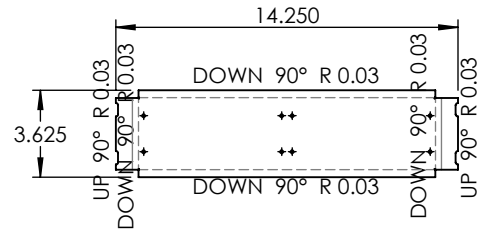
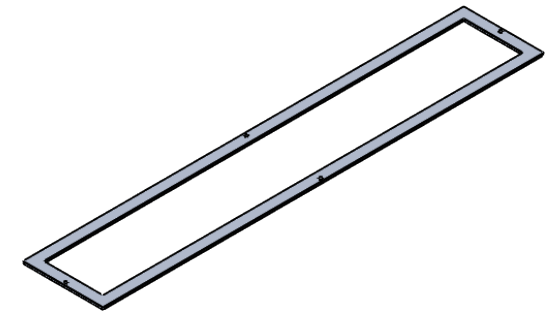
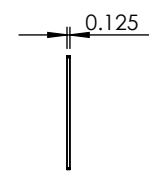
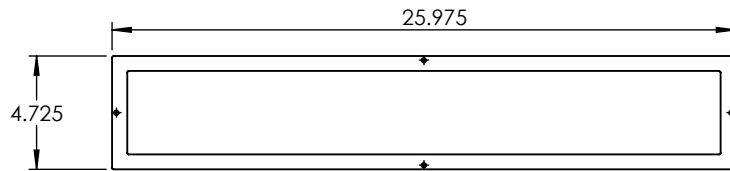
ALUMINUM .0635"

TITLE:

LG-PST-15FT-70W-MBK-CA-30K 1

SIZE	DWG. NO.	REV
<b>A</b>		

SCALE: 1:8 WEIGHT: SHEET 7 OF 8



**PROPRIETARY AND CONFIDENTIAL**  
 THE INFORMATION CONTAINED IN THIS DRAWING IS THE SOLE PROPERTY OF <INSERT COMPANY NAME HERE>. ANY REPRODUCTION IN PART OR AS A WHOLE WITHOUT THE WRITTEN PERMISSION OF <INSERT COMPANY NAME HERE> IS PROHIBITED.

		UNLESS OTHERWISE SPECIFIED:	NAME	DATE
		DIMENSIONS ARE IN INCHES	DRAWN	
		TOLERANCES:	CHECKED	
		FRACTIONAL ±	ENG APPR.	
		ANGULAR: MACH ± BEND ±	MFG APPR.	
		TWO PLACE DECIMAL ±	Q.A.	
		THREE PLACE DECIMAL ±	COMMENTS:	
		INTERPRET GEOMETRIC TOLERANCING PER:		
		MATERIAL		
NEXT ASSY	USED ON	FINISH		
APPLICATION		DO NOT SCALE DRAWING		

ALUMINUM 0.125" PLATE		
TITLE:		
LG-PST-15FT-70W-MBK-CA-30K 1		
SIZE	DWG. NO.	REV
<b>A</b>		
SCALE: 1:8	WEIGHT:	SHEET 8 OF 8

5

4

3

2

1