

ALL BEND RADIUS .030"

APPLICATION

DO NOT SCALE DRAWING

UNLESS OTHERWISE SPECIFIED:

DIMENSIONS ARE IN INCHES  
 TOLERANCES:  
 FRACTIONAL ± .003  
 ANGULAR: MACH ± .01 BEND ±  
 TWO PLACE DECIMAL ±  
 THREE PLACE DECIMAL ± .001

INTERPRET GEOMETRIC  
 TOLERANCING PER:

MATERIAL

FINISH

NAME

DATE

DRAWN

CHECKED

ENG APPR.

MFG APPR.

Q.A.

COMMENTS:

TITLE:

OR-20-42-12-L24-7-L-2-SL-1-1-NL-41K

SIZE DWG. NO.

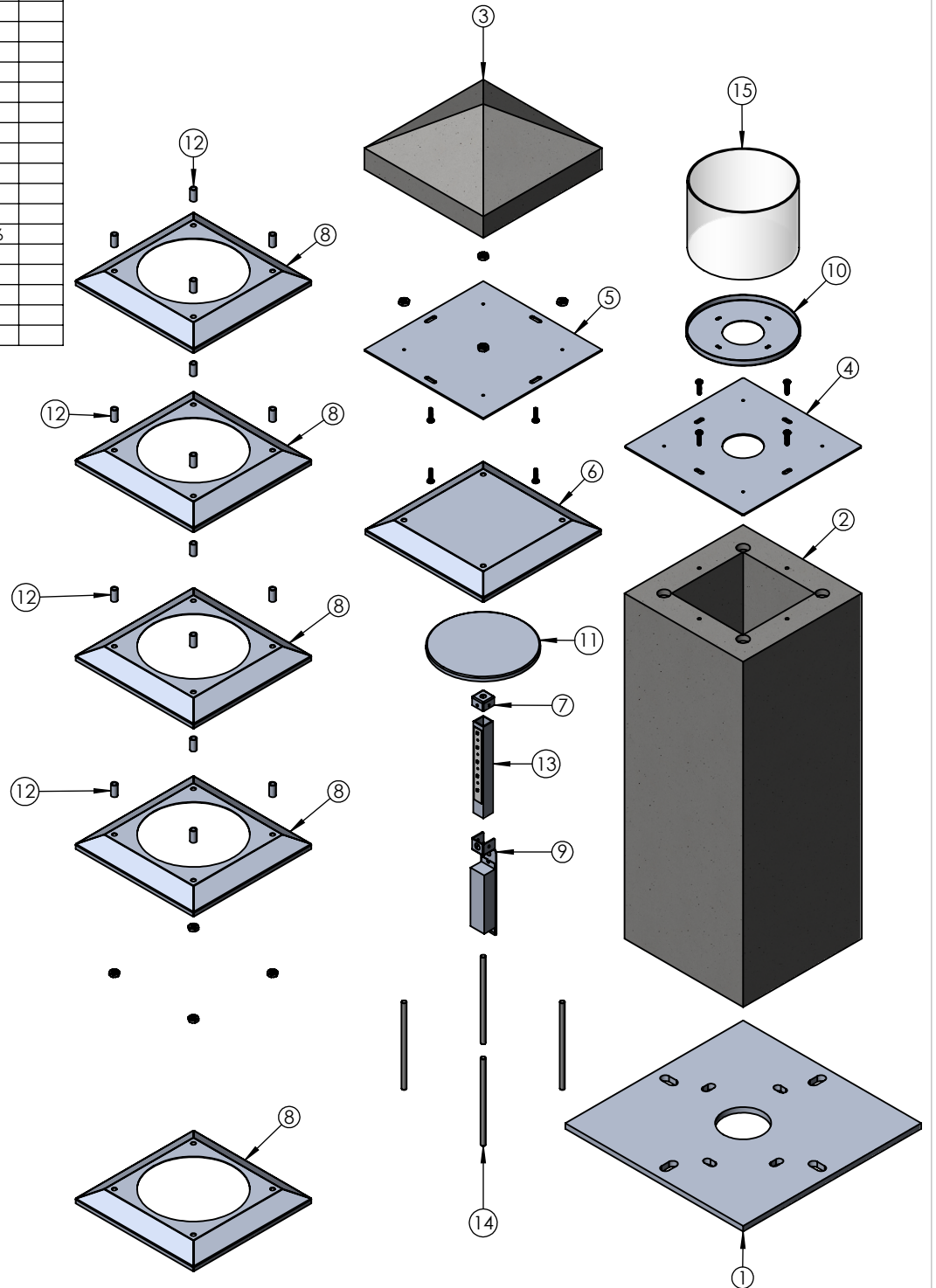
REV

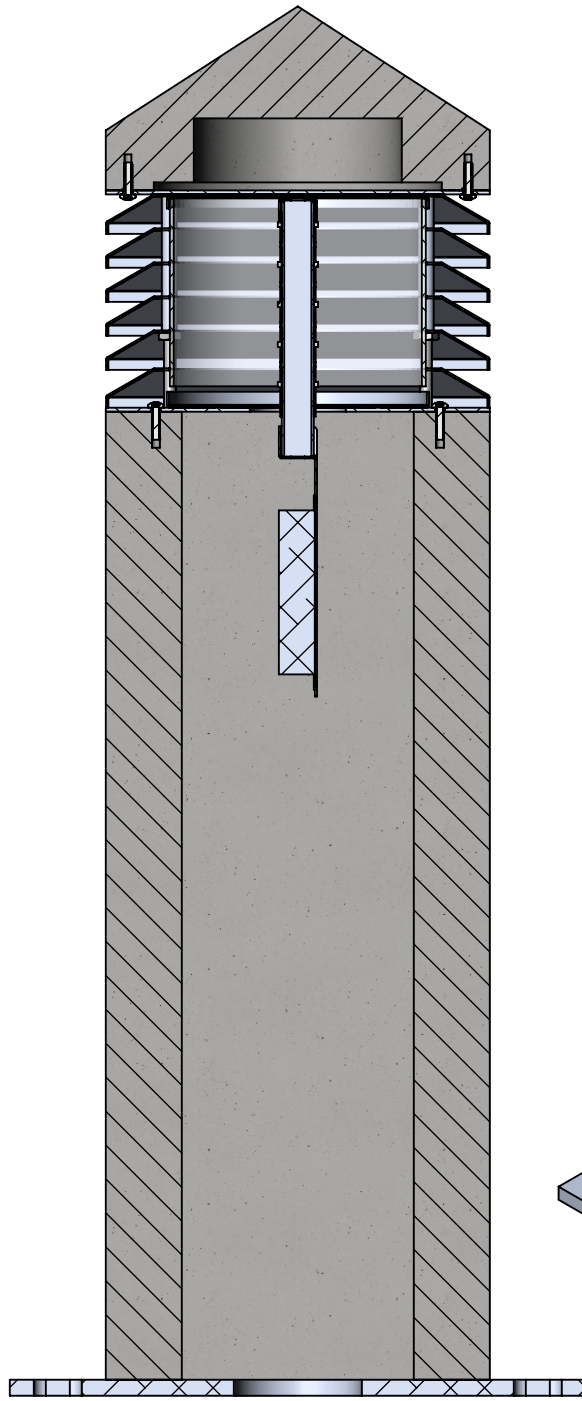
**A** TICKET 24018

SCALE: 1:14 WEIGHT:

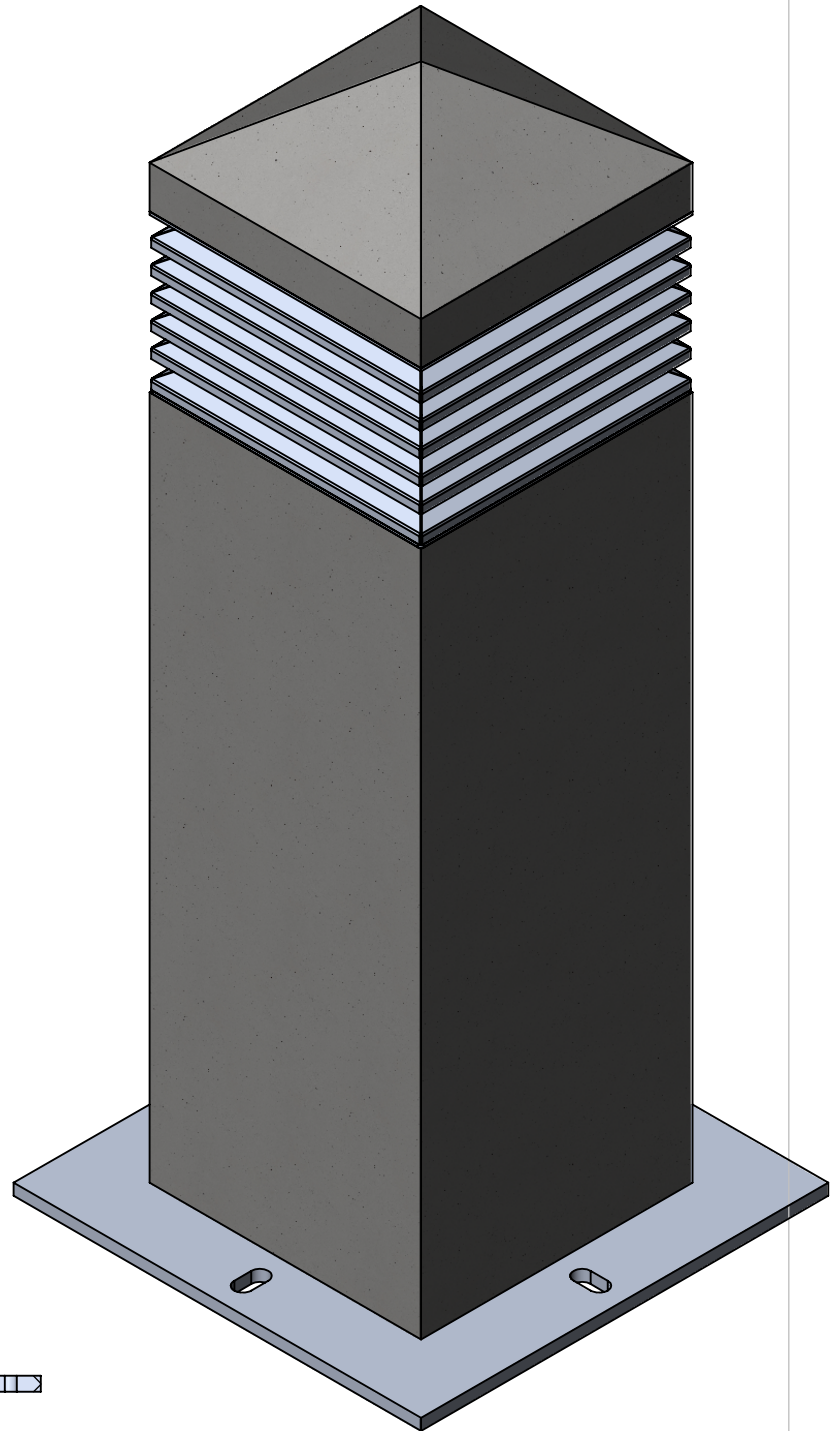
SHEET 1 OF 14

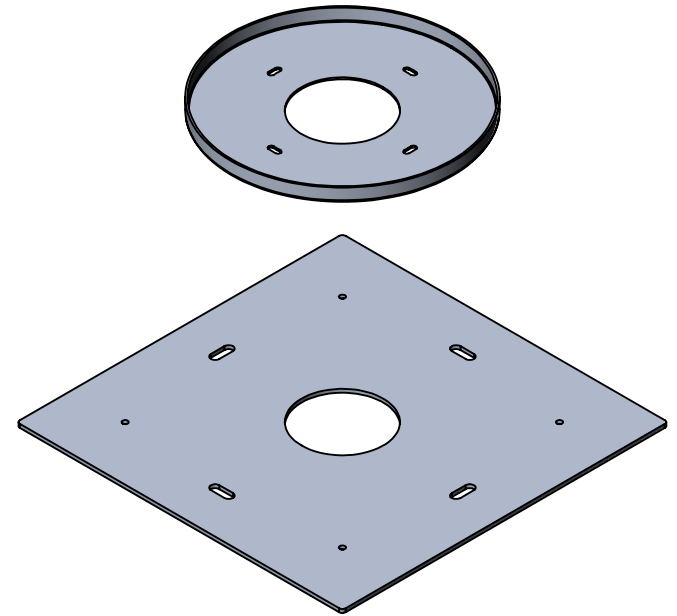
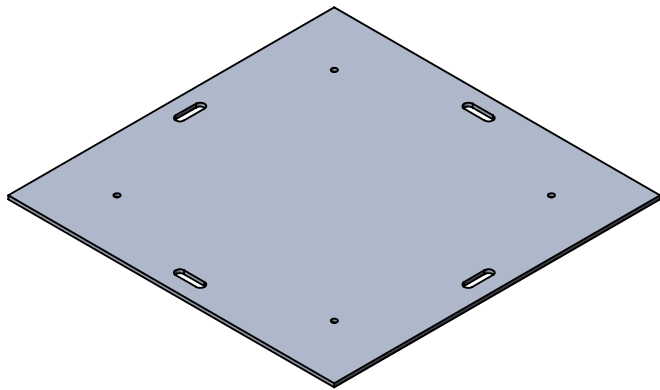
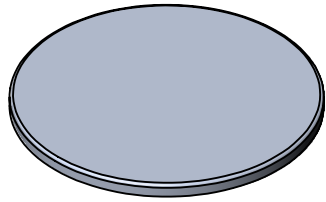
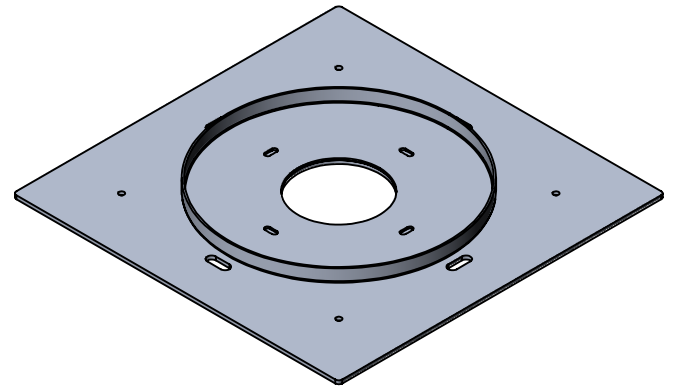
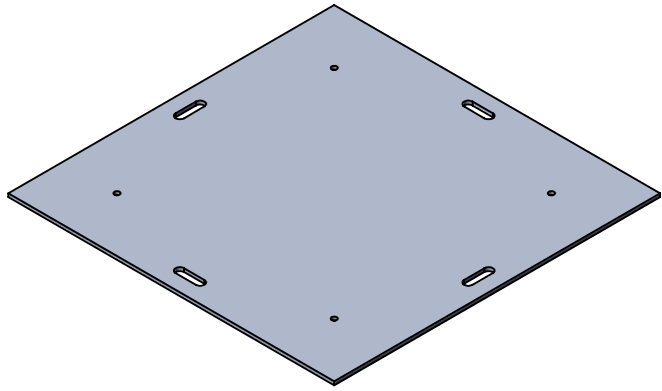
ITEM NO.	PART NUMBER	DESCRIPTION	QTY.	CUT
1	OR-20-42-12-L24-7-L-2-SL-1-1-NL-41K-ANCHOR PLATE	ALUMINUM 0.500" PLATE	1	
2	OR-20-42-12-L24-7-L-2-SL-1-1-NL-41K-CYLINDER BODY	CONCRETE BODY	1	
3	OR-20-42-12-L24-7-L-2-SL-1-1-NL-41K-CYLINDER CAP	CONCRETE CAP	1	
4	OR-20-42-12-L24-7-L-2-SL-1-1-NL-41K-LOUVER PLATE	ALUMINUM 0.125" PLATE	1	
5	OR-20-42-12-L24-7-L-2-SL-1-1-NL-41K-LOUVER PLATE TOP	ALUMINUM 0.125" PLATE	1	
6	OR-20-42-12-L24-7-L-2-SL-1-1-NL-41K-END LOUVER	ALUMINUM 0.0635"	1	
7	OR-20-42-12-L24-7-L-2-SL-1-1-NL-41K-TUBE BRACKET	ALUMINUM 0.0635"	1	
8	OR-20-42-12-L24-7-L-2-SL-1-1-NL-41K-HORIZONTAL LOUVER	ALUMINUM 0.0635"	5	
9	OR-20-42-12-L24-7-L-2-SL-1-1-NL-41K-DRIVER BRACKET	ALUMINUM 0.0635"	1	
10	OR-20-42-12-L24-7-L-2-SL-1-1-NL-41K-SPUN COVER BOTTOM	SPUN ALUMINUM 0.0635"	1	
11	OR-20-42-12-L24-7-L-2-SL-1-1-NL-41K-SPUN COVER TOP	SPUN ALUMINUM 0.0635"	1	
12	OR-20-42-12-L24-7-L-2-SL-1-1-NL-41K-0.5" REFLECTOR SPACER	3/8" ALUMINUM CYLINDER	16	
13	OR-20-42-12-L24-7-L-2-SL-1-1-NL-41K-SQUARE TUBE	1" SQUARE TUBE	1	
14	OR-20-42-12-L24-7-L-2-SL-1-1-NL-41K-THREADED ROD	1/4" THREADED ROD	4	
15	OR-20-42-12-L24-7-L-2-SL-1-1-NL-41K-ACRYLIC	ACRYLIC	1	
16	KTLD-25-UV-700-VDIM-LA1	DRIVER	1	
17	AlfaLED_PN1010_RevD	LED	4	

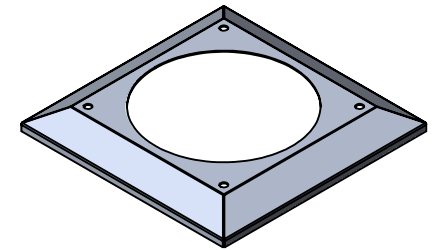
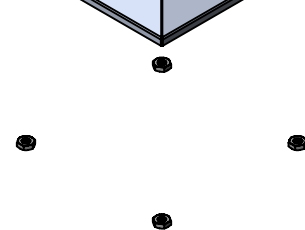
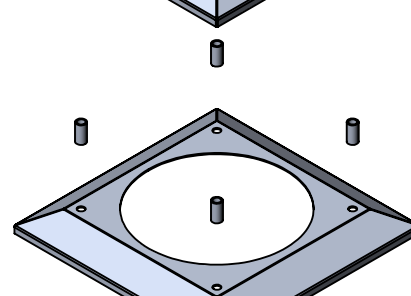
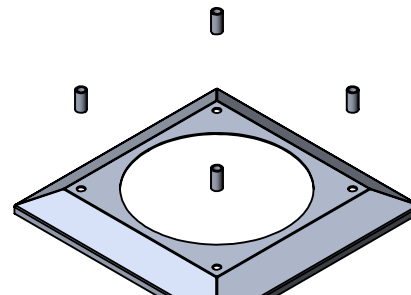
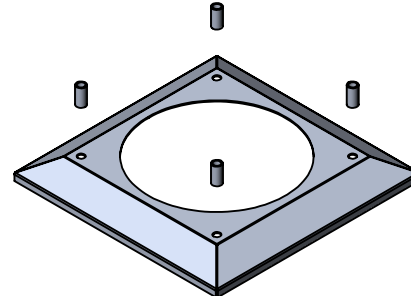
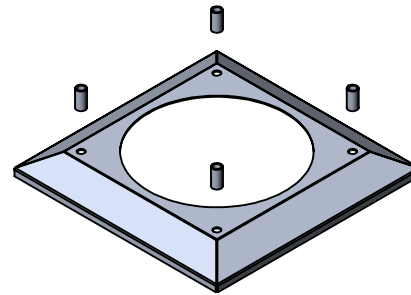
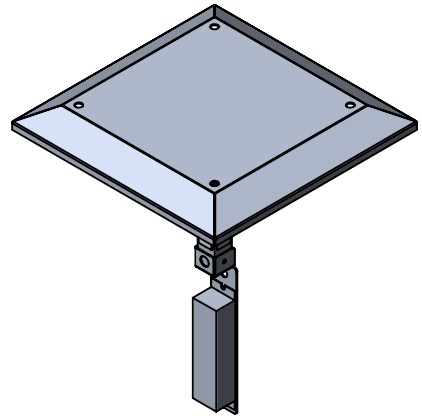
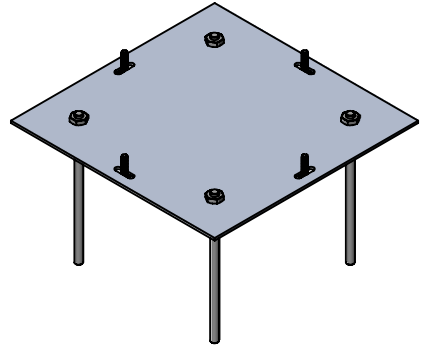
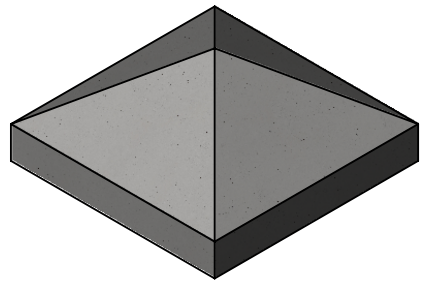


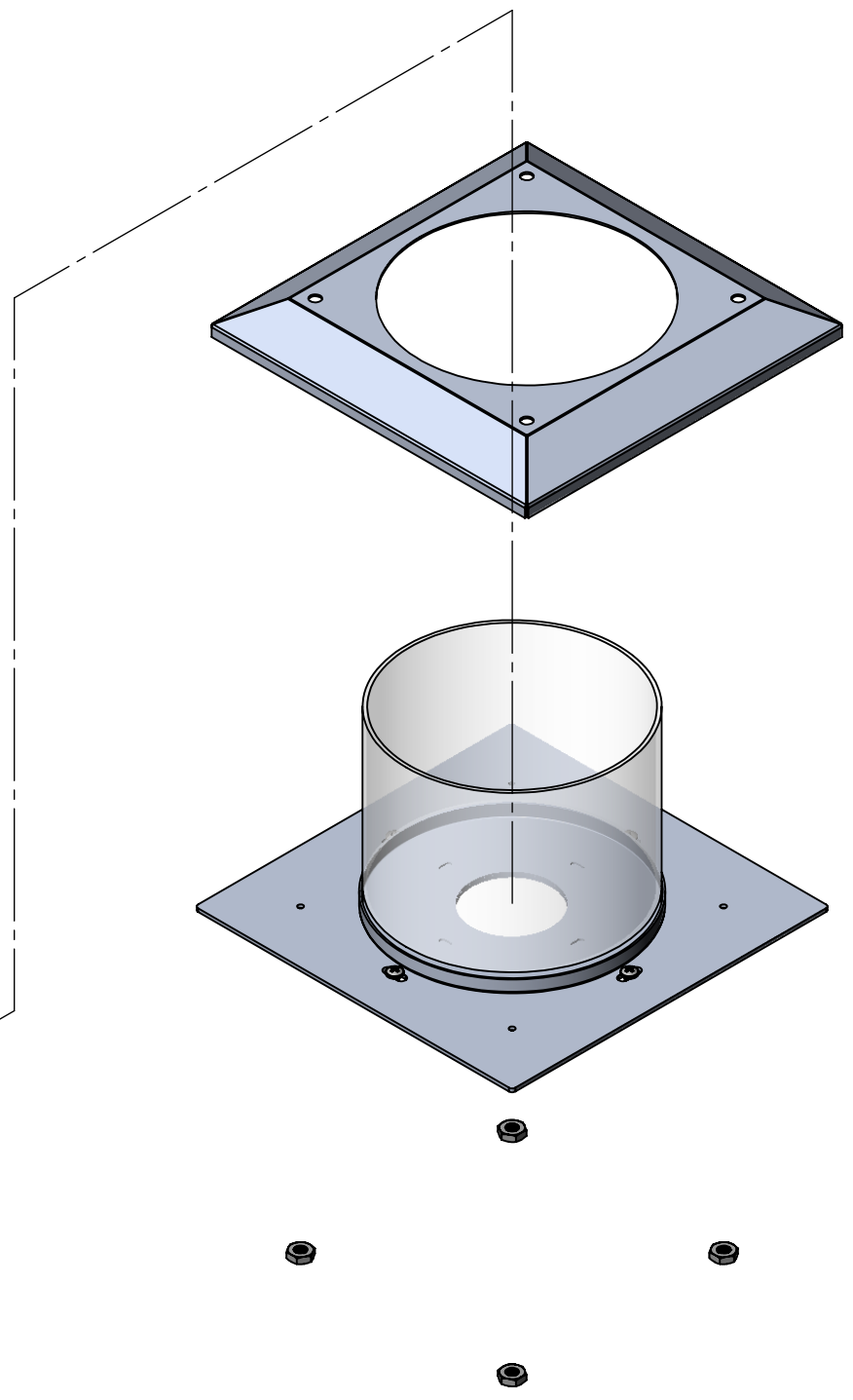
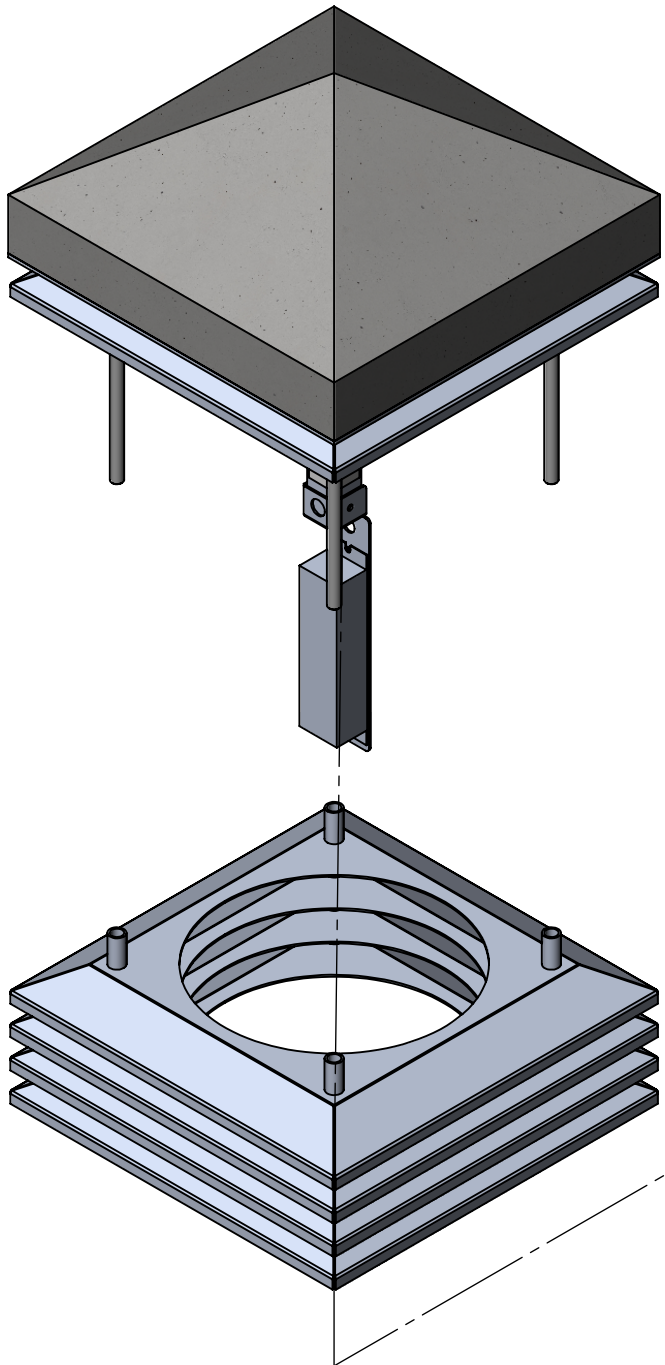


SECTION A-A

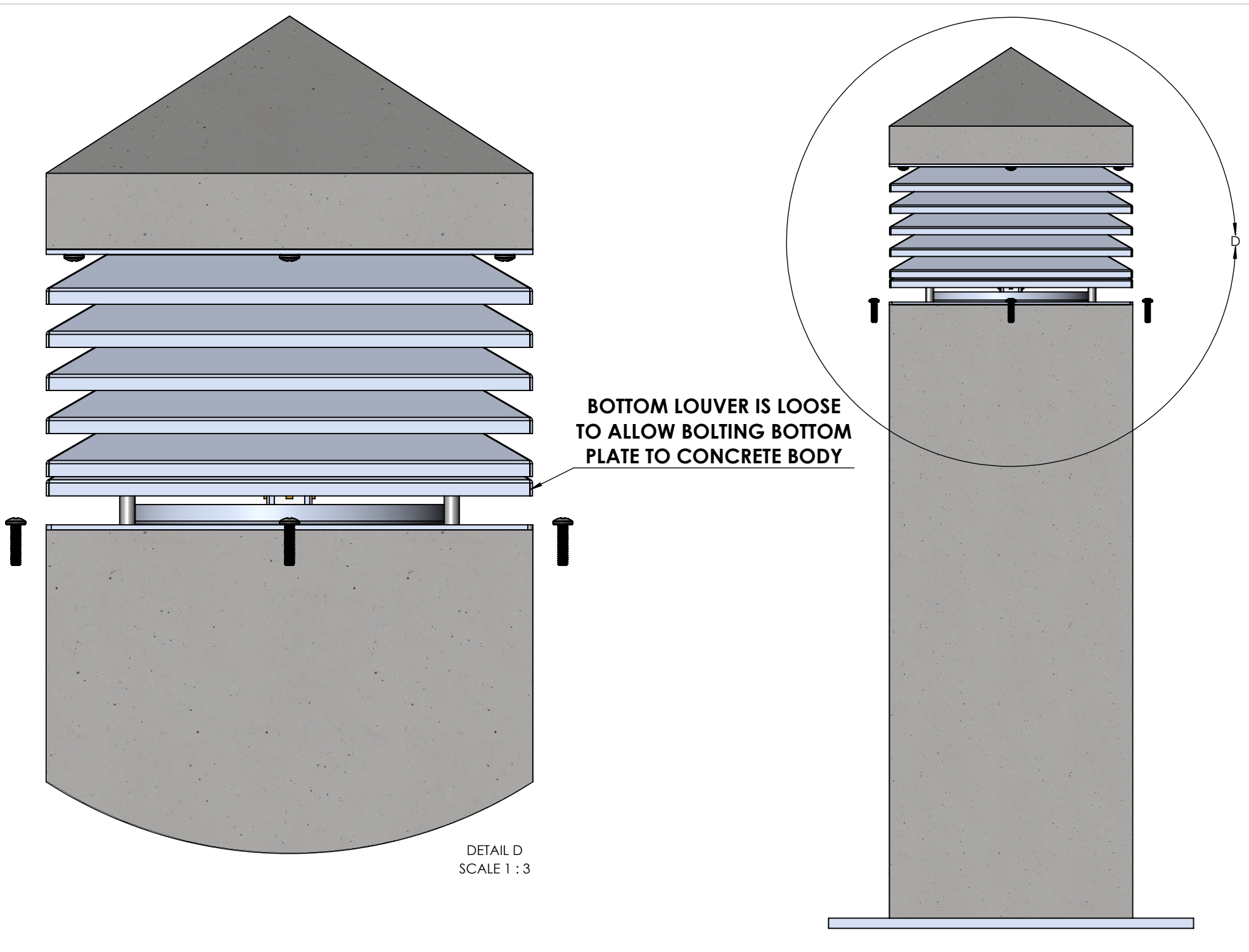








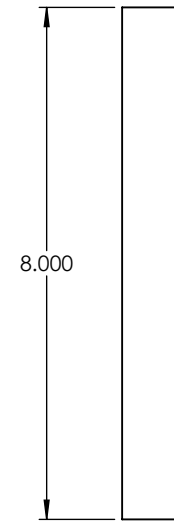
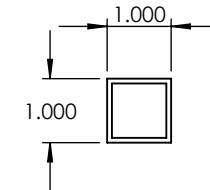
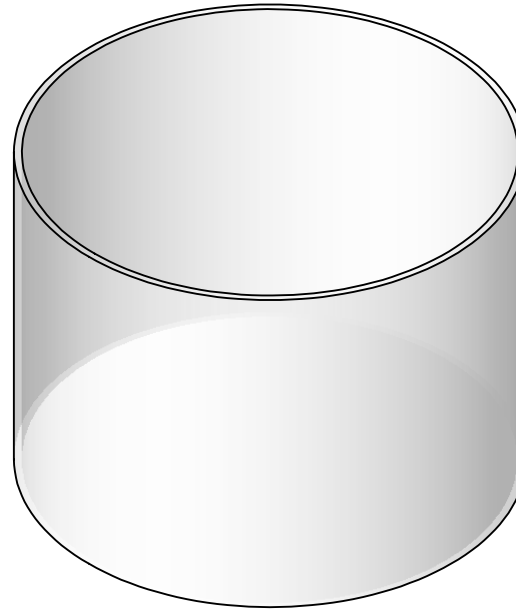
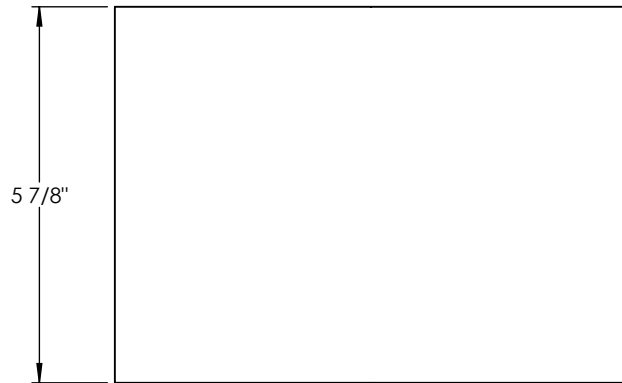
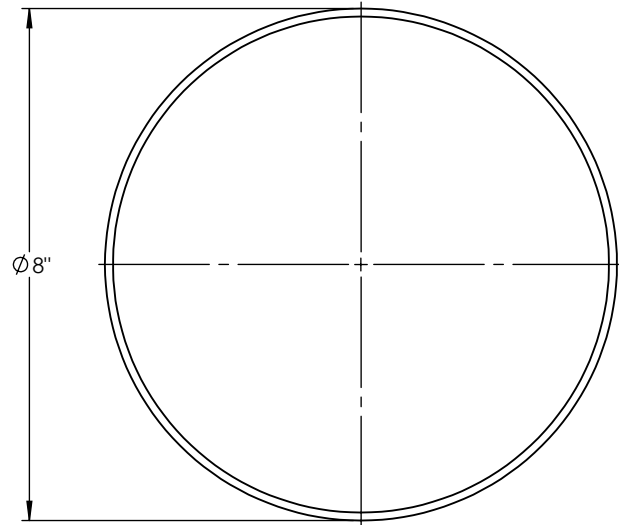




**BOTTOM LOUVER IS LOOSE  
TO ALLOW BOLTING BOTTOM  
PLATE TO CONCRETE BODY**

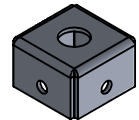
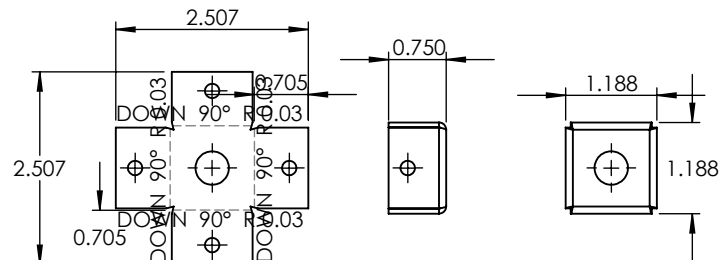
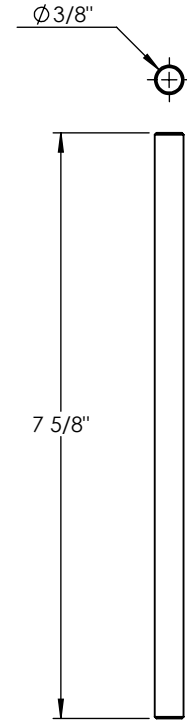
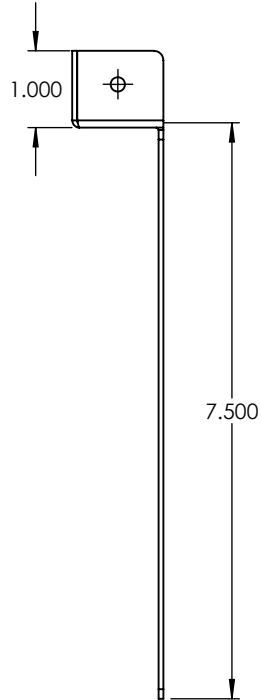
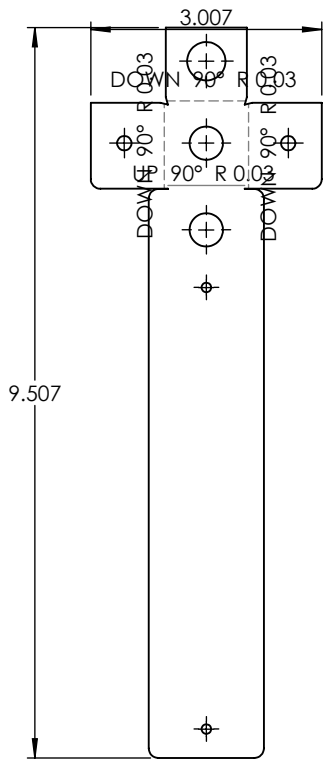
DETAIL D  
SCALE 1 : 3



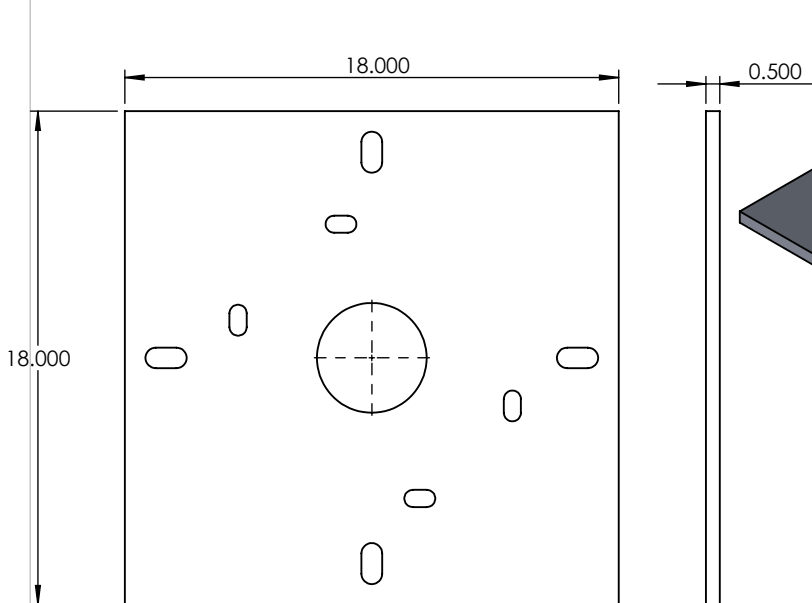
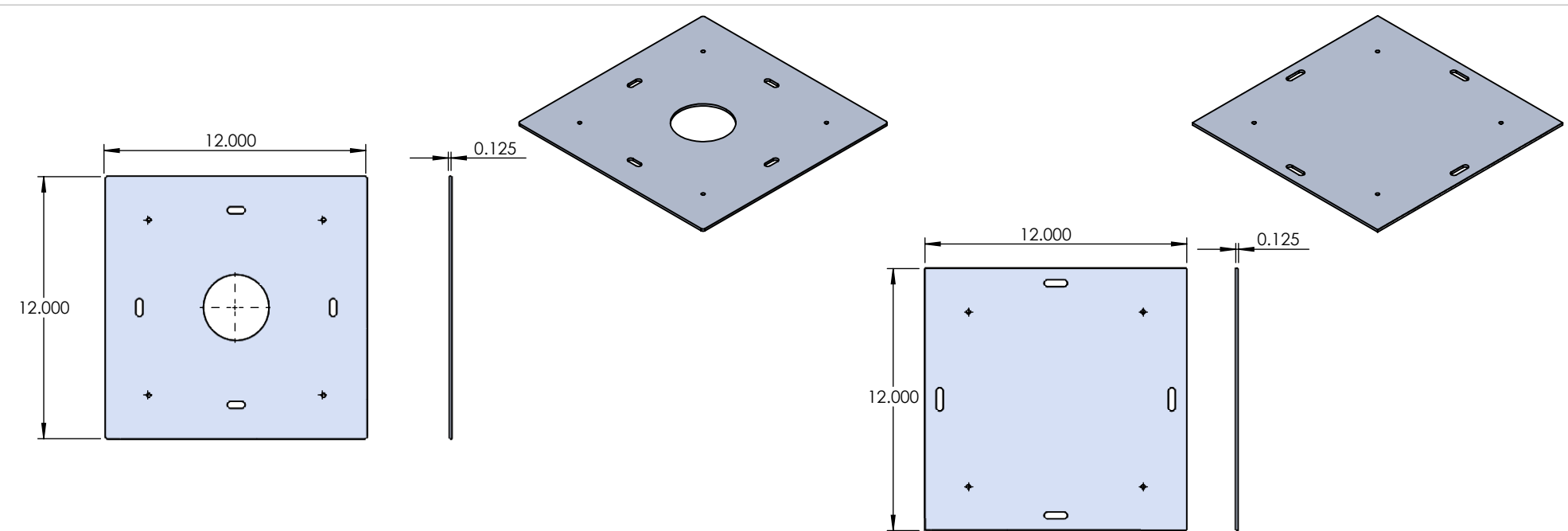


**PROPRIETARY AND CONFIDENTIAL**  
 THE INFORMATION CONTAINED IN THIS DRAWING IS THE SOLE PROPERTY OF <INSERT COMPANY NAME HERE>. ANY REPRODUCTION IN PART OR AS A WHOLE WITHOUT THE WRITTEN PERMISSION OF <INSERT COMPANY NAME HERE> IS PROHIBITED.

		UNLESS OTHERWISE SPECIFIED:		NAME	DATE	ACRYLIC	
		DIMENSIONS ARE IN INCHES TOLERANCES: FRACTIONAL ± ANGULAR: MACH ± BEND ± TWO PLACE DECIMAL ± THREE PLACE DECIMAL ±		DRAWN			
		INTERPRET GEOMETRIC TOLERANCING PER:		ENG APPR.		OR-20-42-12-L24-7-L-2-SL-1-1-NL-41K	
		MATERIAL		MFG APPR.		SIZE DWG. NO. REV	
NEXT ASSY		USED ON		Q.A.		A	
APPLICATION		DO NOT SCALE DRAWING		COMMENTS:		SCALE: 1:3 WEIGHT: SHEET 9 OF 14	

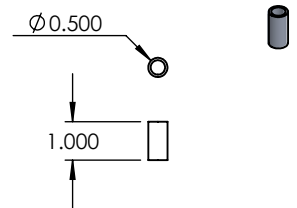
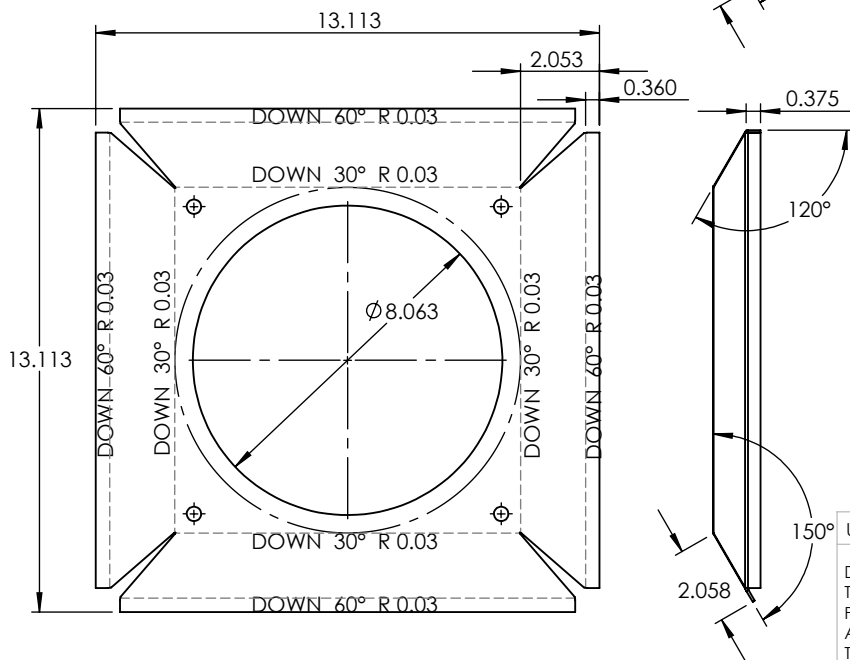
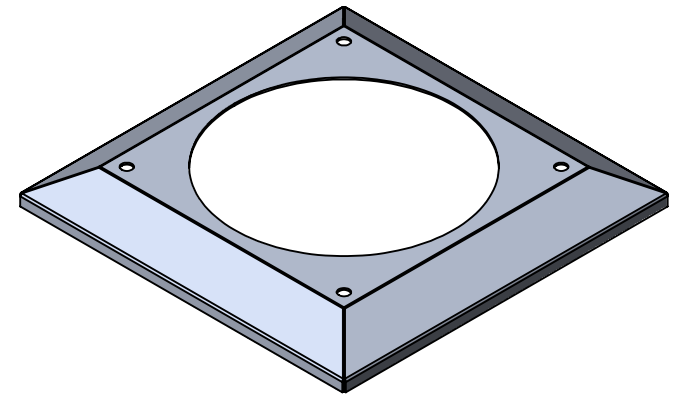
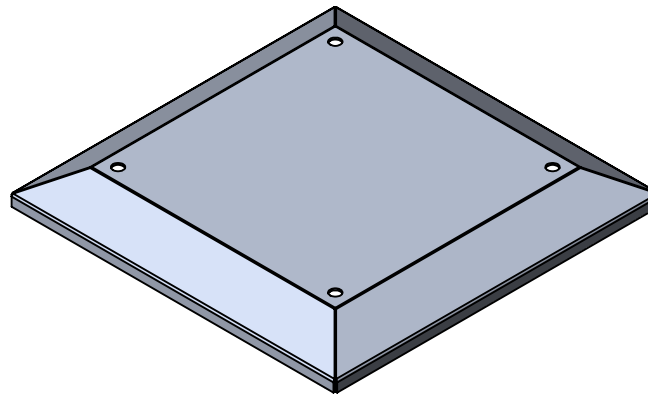
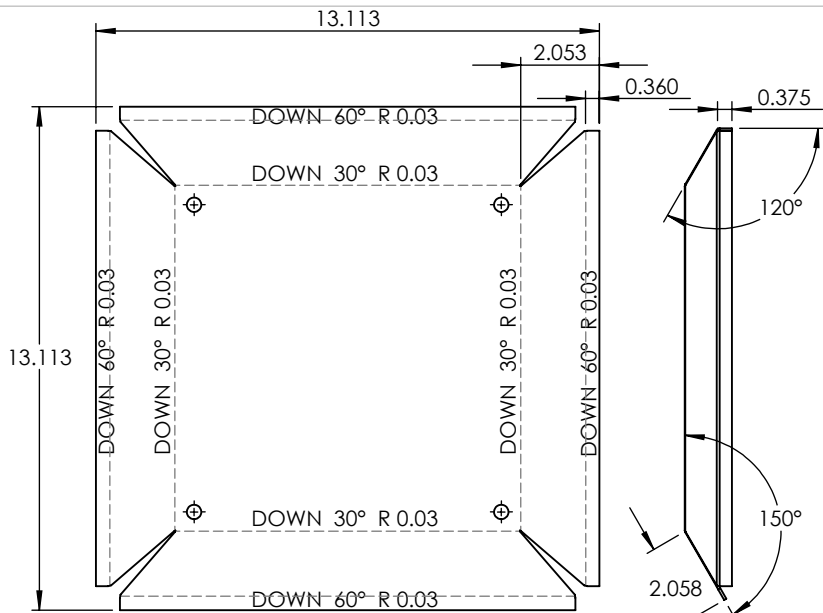


		UNLESS OTHERWISE SPECIFIED:	NAME	DATE	ALUMINUM 0.0635"	
		DIMENSIONS ARE IN INCHES	DRAWN		TITLE:	
		TOLERANCES:	CHECKED		OR-20-42-12-L24-7-L-2-SL-1-1-NL-41K	
		FRACTIONAL ±	ENG APPR.		SIZE DWG. NO. REV	
		ANGULAR: MACH ± BEND ±	MFG APPR.		A	
		TWO PLACE DECIMAL ±	Q.A.		SCALE: 1:2.5 WEIGHT: SHEET 10 OF 14	
		THREE PLACE DECIMAL ±	COMMENTS:			
		INTERPRET GEOMETRIC TOLERANCING PER:				
		MATERIAL				
		FINISH				
NEXT ASSY	USED ON					
APPLICATION		DO NOT SCALE DRAWING				



UNLESS OTHERWISE SPECIFIED:		NAME	DATE	ALUMINUM 0.125" PLATE	
DIMENSIONS ARE IN INCHES		DRAWN			
TOLERANCES:		CHECKED		OR-20-42-12-L24-7-L-2-SL-1-1-NL-41K	
FRACTIONAL ±		ENG APPR.			
ANGULAR: MACH ± BEND ±		MFG APPR.			
TWO PLACE DECIMAL ±		Q.A.		SIZE DWG. NO. REV	
THREE PLACE DECIMAL ±		COMMENTS:		SCALE: 1:7 WEIGHT: SHEET 11 OF 14	
INTERPRET GEOMETRIC TOLERANCING PER:					
MATERIAL					
FINISH					
APPLICATION		DO NOT SCALE DRAWING			

**PROPRIETARY AND CONFIDENTIAL**  
 THE INFORMATION CONTAINED IN THIS DRAWING IS THE SOLE PROPERTY OF <INSERT COMPANY NAME HERE>. ANY REPRODUCTION IN PART OR AS A WHOLE WITHOUT THE WRITTEN PERMISSION OF <INSERT COMPANY NAME HERE> IS PROHIBITED.



UNLESS OTHERWISE SPECIFIED:

DIMENSIONS ARE IN INCHES  
 TOLERANCES:  
 FRACTIONAL ±  
 ANGULAR: MACH ± BEND ±  
 TWO PLACE DECIMAL ±  
 THREE PLACE DECIMAL ±

INTERPRET GEOMETRIC TOLERANCING PER:  
 MATERIAL  
 FINISH  
 APPLICATION DO NOT SCALE DRAWING

	NAME	DATE
DRAWN		
CHECKED		
ENG APPR.		
MFG APPR.		
Q.A.		

COMMENTS:

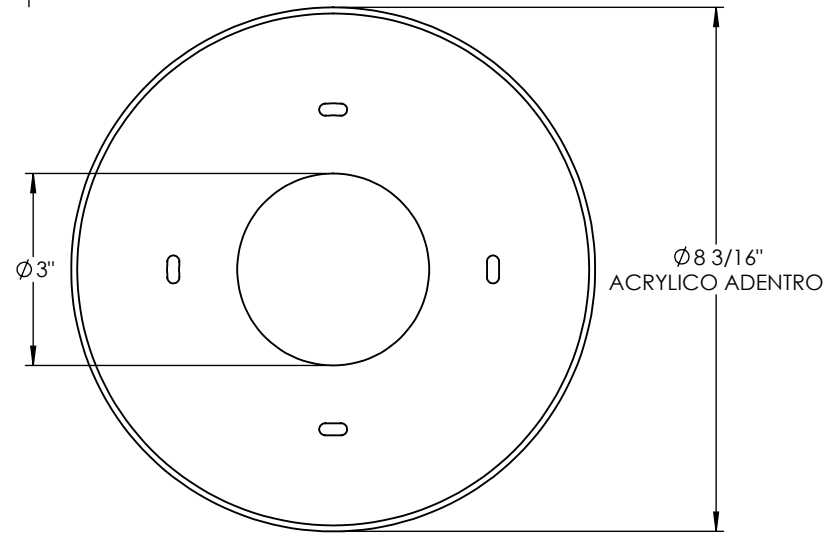
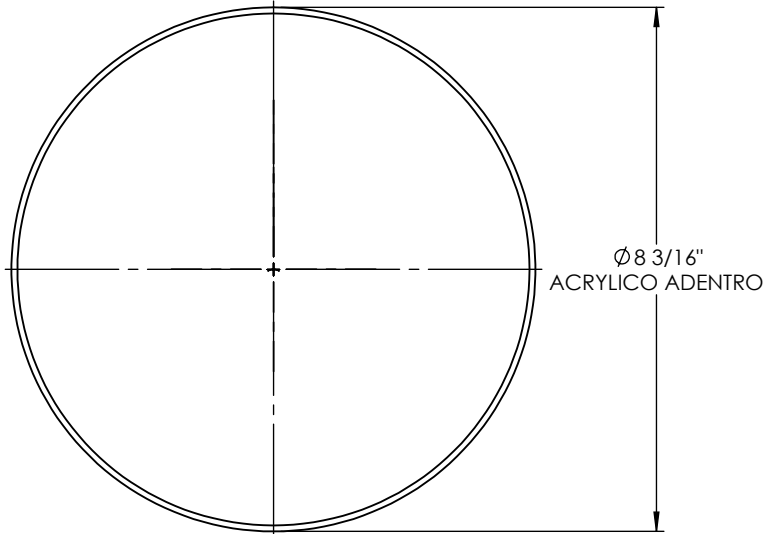
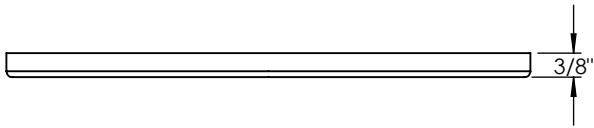
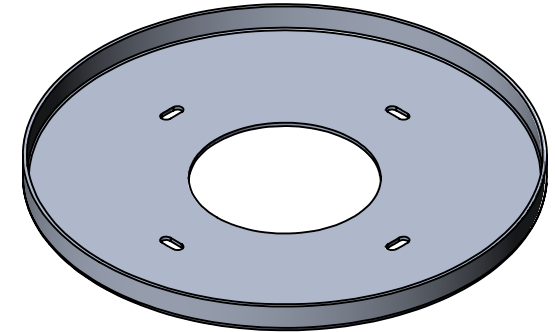
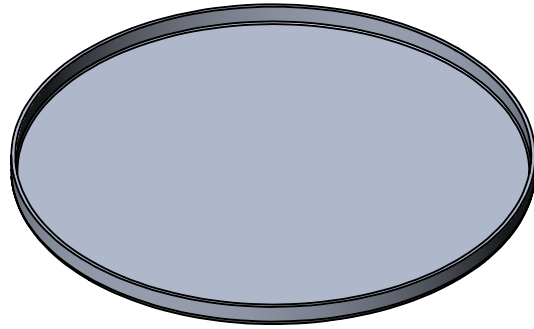
ALUMINUM 0.0635"		
TITLE:		
OR-20-42-12-L24-7-L-2-SL-1-1-NL-41K		
SIZE	DWG. NO.	REV
<b>A</b>		
SCALE: 1:5	WEIGHT:	SHEET 12 OF 14

**PROPRIETARY AND CONFIDENTIAL**  
 THE INFORMATION CONTAINED IN THIS DRAWING IS THE SOLE PROPERTY OF <INSERT COMPANY NAME HERE>. ANY REPRODUCTION IN PART OR AS A WHOLE WITHOUT THE WRITTEN PERMISSION OF <INSERT COMPANY NAME HERE> IS PROHIBITED.

NEXT ASSY	USED ON
APPLICATION	

ITEM NO.	PART NUMBER	DESCRIPTION	QTY.
1	OR-20-42-12-L24-7-L-2-SL-1-1-NL-41K-SPUN COVER TOP	SPUN ALUMINUM 0.0635"	1

ITEM NO.	PART NUMBER	DESCRIPTION	QTY.
1	OR-20-42-12-L24-7-L-2-SL-1-1-NL-41K-SPUN COVER BOTTOM	SPUN ALUMINUM 0.0635"	1



UNLESS OTHERWISE SPECIFIED:		NAME	DATE	SPUN ALUMINUM 0.0635"		
DIMENSIONS ARE IN INCHES TOLERANCES: FRACTIONAL ± ANGULAR: MACH ± BEND ± TWO PLACE DECIMAL ± THREE PLACE DECIMAL ±		DRAWN				TITLE:
INTERPRET GEOMETRIC TOLERANCING PER:		CHECKED		OR-20-42-12-L24-7-L-2-SL-1-1-NL-41K		
MATERIAL		ENG APPR.				SIZE
FINISH		MFG APPR.		A		
NEXT ASSY		Q.A.				
USED ON		COMMENTS:				
APPLICATION		DO NOT SCALE DRAWING				

**PROPRIETARY AND CONFIDENTIAL**  
THE INFORMATION CONTAINED IN THIS DRAWING IS THE SOLE PROPERTY OF <INSERT COMPANY NAME HERE>. ANY REPRODUCTION IN PART OR AS A WHOLE WITHOUT THE WRITTEN PERMISSION OF <INSERT COMPANY NAME HERE> IS PROHIBITED.

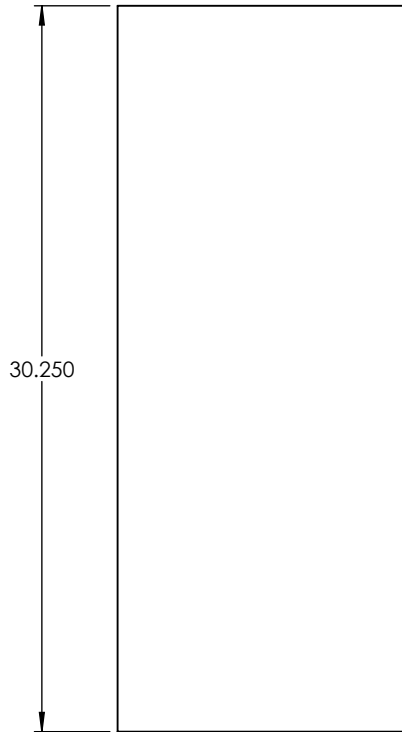
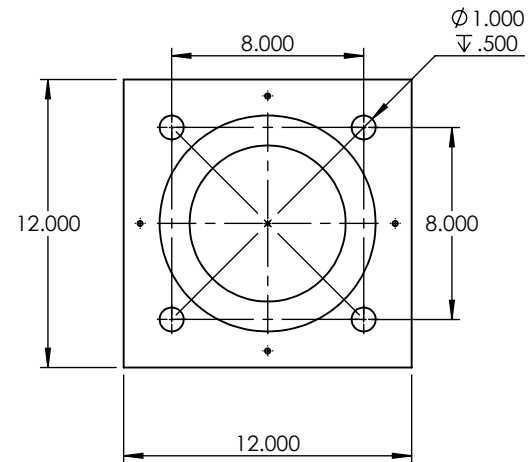
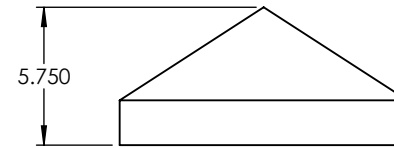
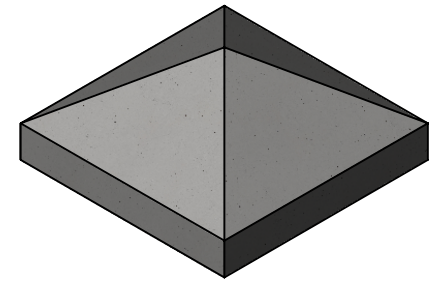
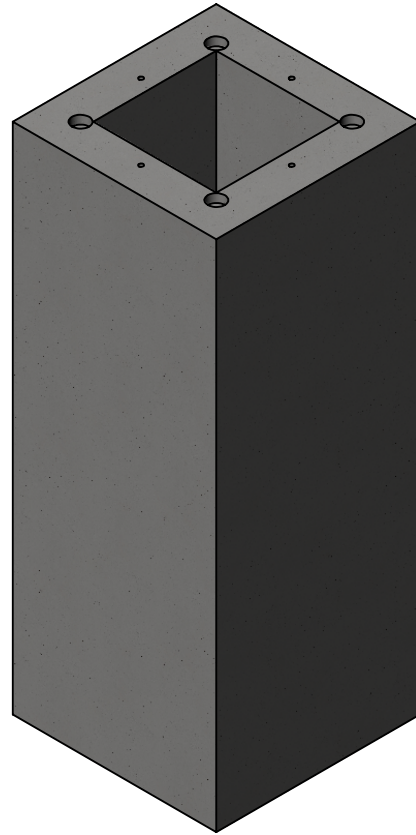
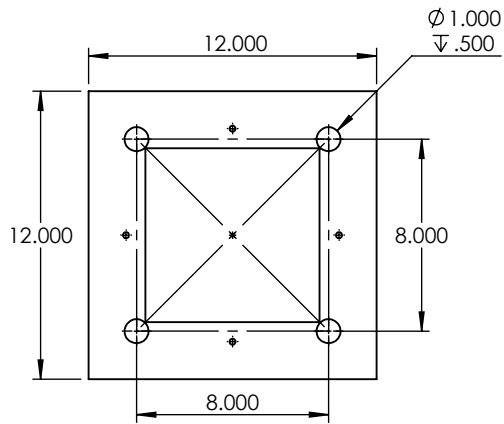
5

4

3

2

1



**PROPRIETARY AND CONFIDENTIAL**  
 THE INFORMATION CONTAINED IN THIS DRAWING IS THE SOLE PROPERTY OF <INSERT COMPANY NAME HERE>. ANY REPRODUCTION IN PART OR AS A WHOLE WITHOUT THE WRITTEN PERMISSION OF <INSERT COMPANY NAME HERE> IS PROHIBITED.

		UNLESS OTHERWISE SPECIFIED:	NAME	DATE	<b>CONCRETE BODY</b>	
		DIMENSIONS ARE IN INCHES TOLERANCES: FRACTIONAL ± ANGULAR: MACH ± BEND ± TWO PLACE DECIMAL ± THREE PLACE DECIMAL ±	DRAWN			
		INTERPRET GEOMETRIC TOLERANCING PER:	CHECKED		OR-20-42-12-L24-7-L-2-SL-1-1-NL-41K	
		MATERIAL	ENG APPR.			
		FINISH	MFG APPR.		SIZE	DWG. NO.
NEXT ASSY	USED ON		Q.A.		<b>A</b>	REV
APPLICATION		DO NOT SCALE DRAWING	COMMENTS:		SCALE: 1:8	WEIGHT:
5	4	3	2	1	SHEET 14 OF 14	