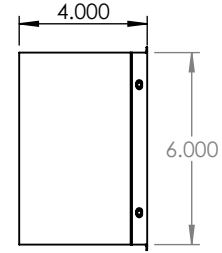
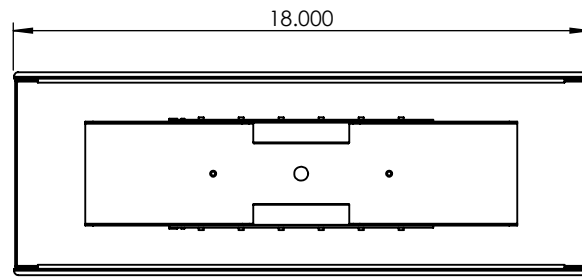
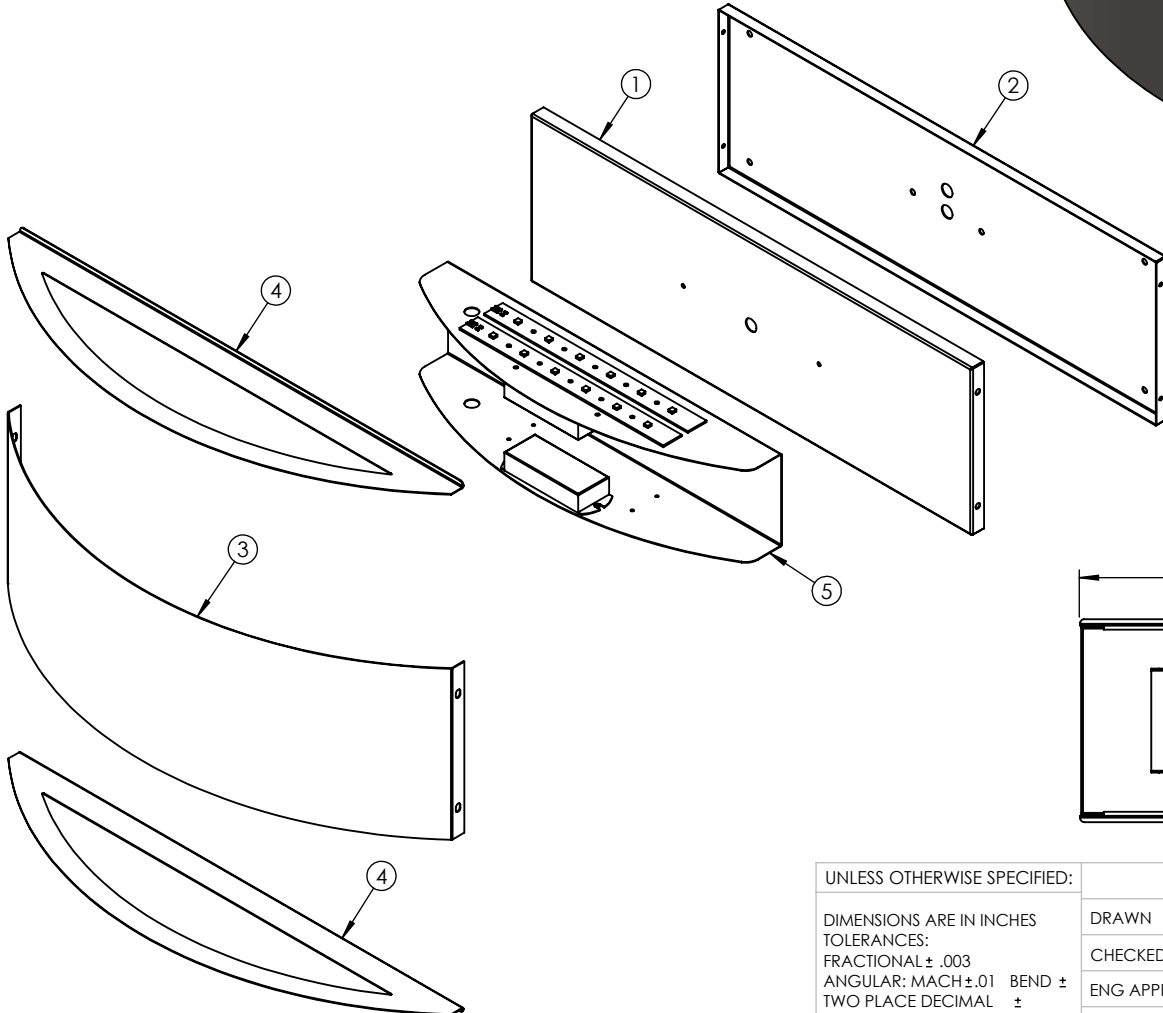
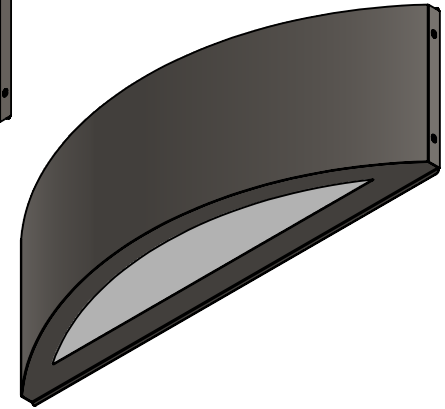
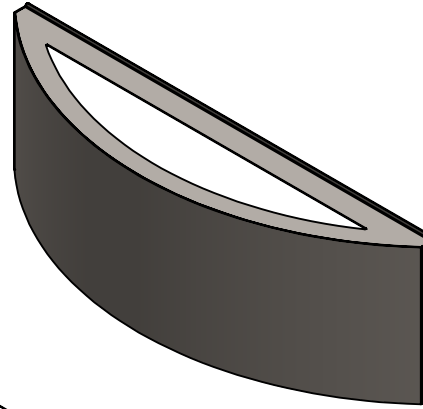


ITEM NO.	PART NUMBER	DESCRIPTION	QTY.	CUT
1	HS-W-18X6-UD-30W-TR-WF-30K-BACKPLATE	22 GAUGE	1	
2	HS-W-18X6-UD-30W-TR-WF-30K-FIREPLATE	22 GAUGE	1	
3	HS-W-18X6-UD-30W-TR-WF-30K-ROLLED FRAME	22 GAUGE	1	
4	HS-W-10-6LED-MG-A-ST-277V-41K-LENS BOTTOM	22 GAUGE	2	
5	HS-W-18X6-UD-30W-TR-WF-30K-LED BRACKET	22 GAUGE	1	
6	HS-W-18X6-UD-30W-TR-WF-30K-ACRYLIC	ACRYLIC	2	
7	DS-15W-350C1542010-3001	DRIVER	2	
8	AHtalLED_PN1004RevD	LED	4	



UNLESS OTHERWISE SPECIFIED:  
 DIMENSIONS ARE IN INCHES  
 TOLERANCES:  
 FRACTIONAL ± .003  
 ANGULAR: MACH ± .01 BEND ±  
 TWO PLACE DECIMAL ±  
 THREE PLACE DECIMAL ±.001

INTERPRET GEOMETRIC  
 TOLERANCING PER:  
 MATERIAL  
 FINISH

	NAME	DATE
DRAWN		
CHECKED		
ENG APPR.		
MFG APPR.		
Q.A.		
COMMENTS:		

TITLE:  
 HS-W-18X6-UD-30W-TR-WF-30K

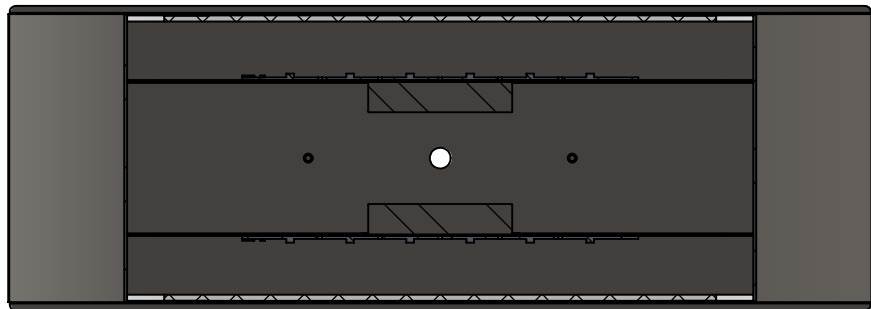
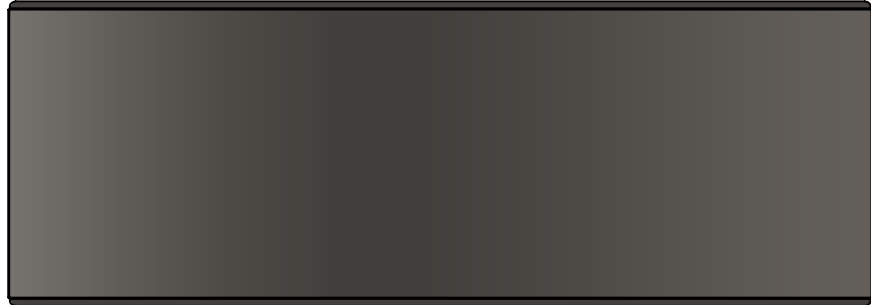
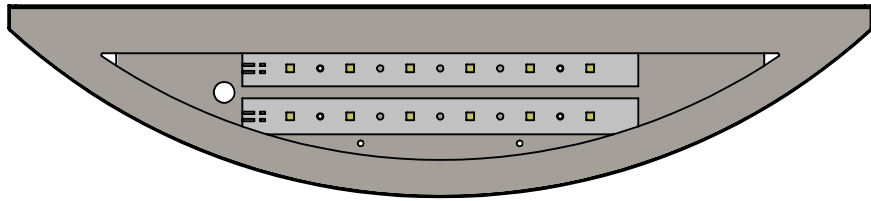
SIZE DWG. NO. REV  
**A** TICKET 24307



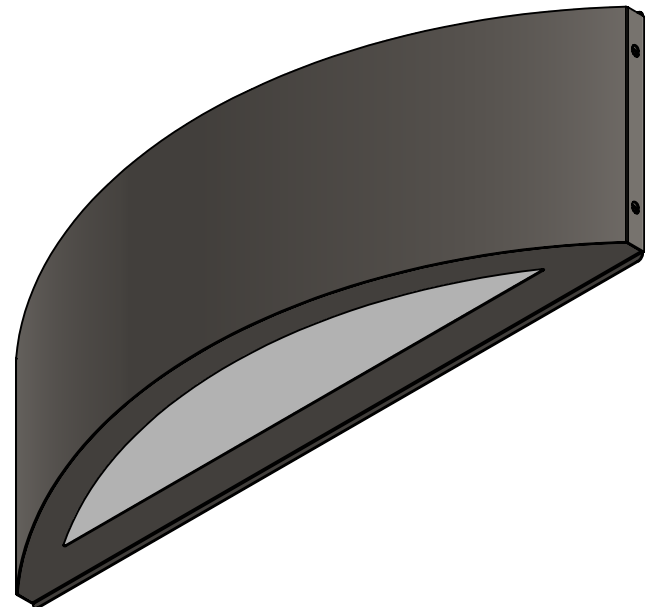
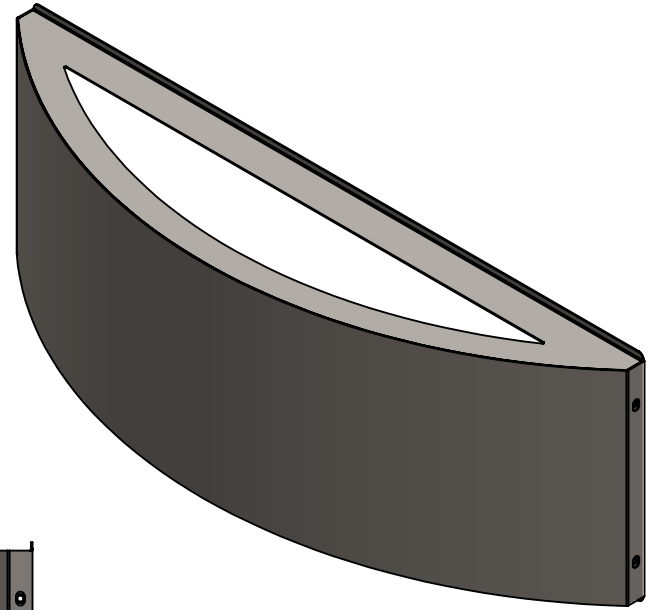
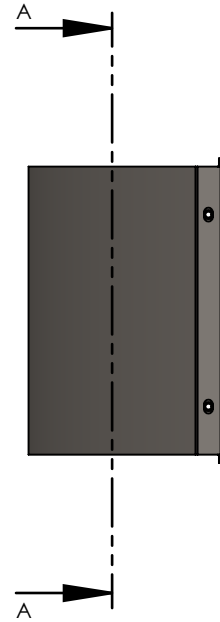
ALL BEND RADIUS .030"

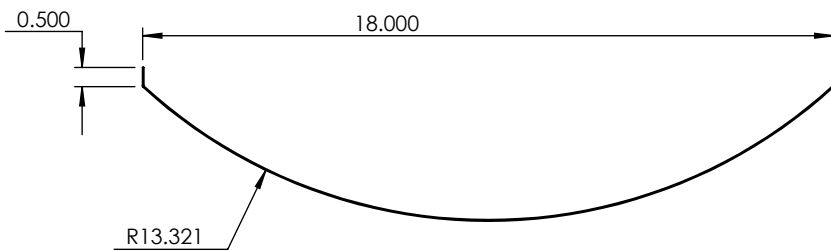
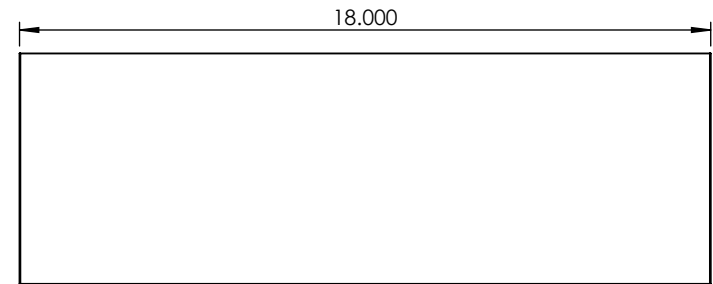
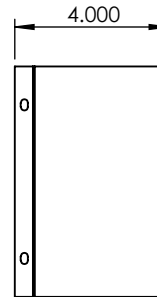
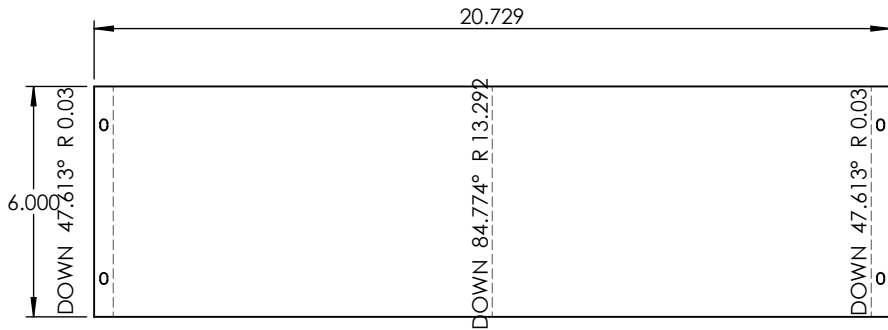
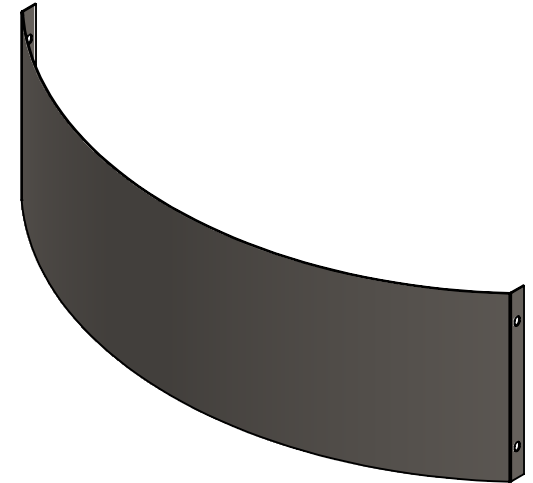
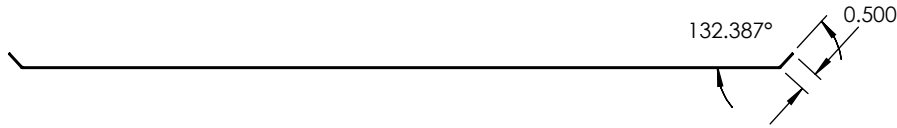
DO NOT SCALE DRAWING

SCALE: 1:6 WEIGHT: SHEET 1 OF 6



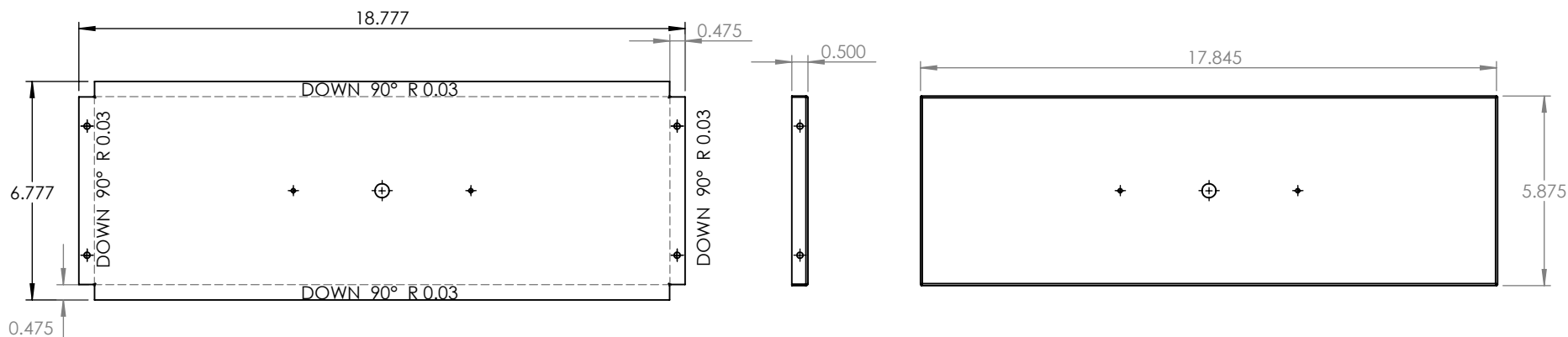
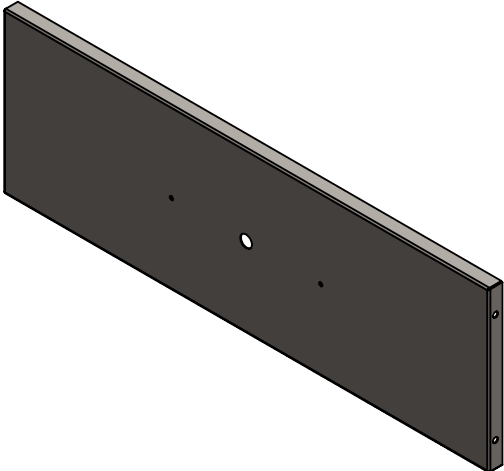
SECTION A-A





UNLESS OTHERWISE SPECIFIED:		NAME	DATE	22 GAUGE	
DIMENSIONS ARE IN INCHES TOLERANCES: FRACTIONAL ± ANGULAR: MACH ± BEND ± TWO PLACE DECIMAL ± THREE PLACE DECIMAL ±		DRAWN		TITLE:	
		CHECKED		HS-W-18X6-UD-30W-TR-WF-30K	
		ENG APPR.		SIZE DWG. NO. REV	
		MFG APPR.		SCALE: 1:5 WEIGHT: SHEET 3 OF 6	
		Q.A.			
		COMMENTS:			
INTERPRET GEOMETRIC TOLERANCING PER:					
MATERIAL					
FINISH					
NEXT ASSY		USED ON			
APPLICATION		DO NOT SCALE DRAWING			

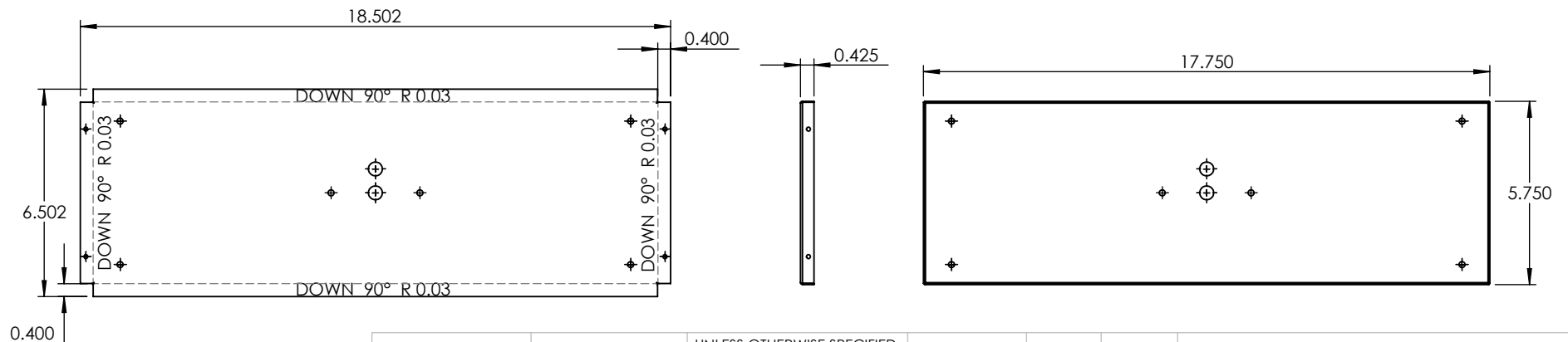
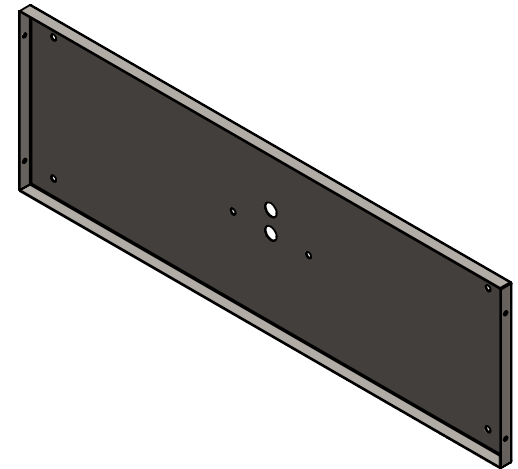
**PROPRIETARY AND CONFIDENTIAL**  
THE INFORMATION CONTAINED IN THIS DRAWING IS THE SOLE PROPERTY OF <INSERT COMPANY NAME HERE>. ANY REPRODUCTION IN PART OR AS A WHOLE WITHOUT THE WRITTEN PERMISSION OF <INSERT COMPANY NAME HERE> IS PROHIBITED.



**PROPRIETARY AND CONFIDENTIAL**  
 THE INFORMATION CONTAINED IN THIS DRAWING IS THE SOLE PROPERTY OF <INSERT COMPANY NAME HERE>. ANY REPRODUCTION IN PART OR AS A WHOLE WITHOUT THE WRITTEN PERMISSION OF <INSERT COMPANY NAME HERE> IS PROHIBITED.

		UNLESS OTHERWISE SPECIFIED:		NAME	DATE
		DIMENSIONS ARE IN INCHES	DRAWN		
		TOLERANCES:	CHECKED		
		FRACTIONAL ±	ENG APPR.		
		ANGULAR: MACH ± BEND ±	MFG APPR.		
		TWO PLACE DECIMAL ±	Q.A.		
		THREE PLACE DECIMAL ±	COMMENTS:		
		INTERPRET GEOMETRIC TOLERANCING PER:			
		MATERIAL			
NEXT ASSY	USED ON	FINISH			
APPLICATION		DO NOT SCALE DRAWING			

22 GAUGE		
TITLE:		
HS-W-18X6-UD-30W-TR-WF-30K		
SIZE	DWG. NO.	REV
<b>A</b>		
SCALE: 1:5	WEIGHT:	SHEET 4 OF 6

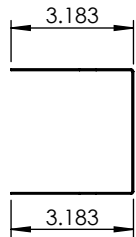
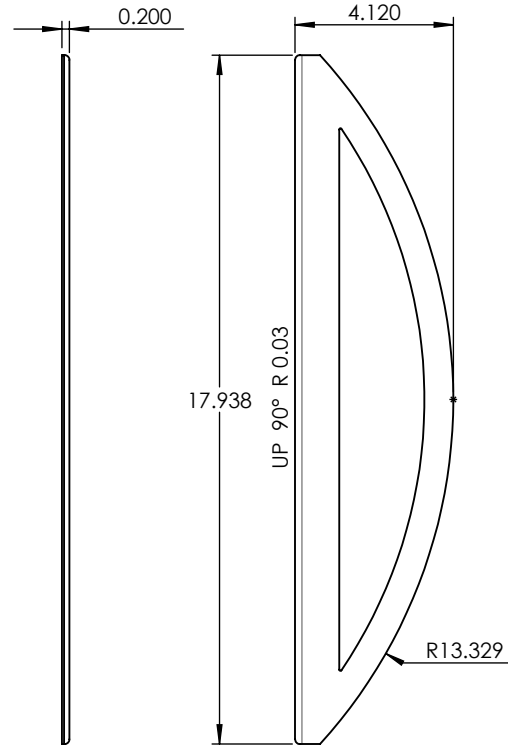
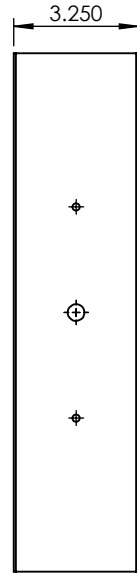
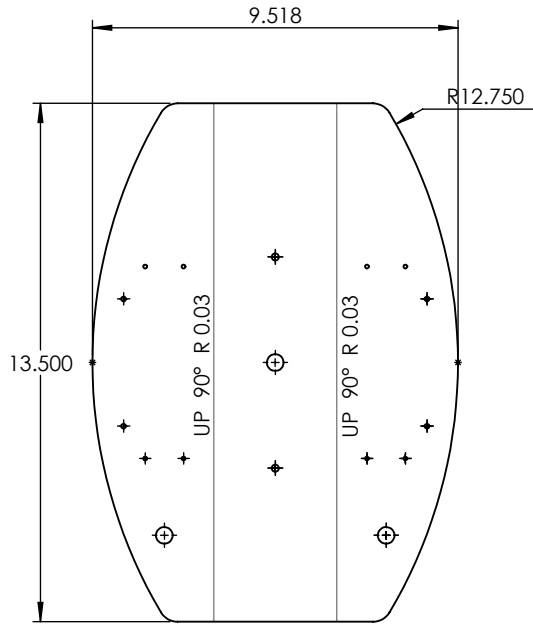
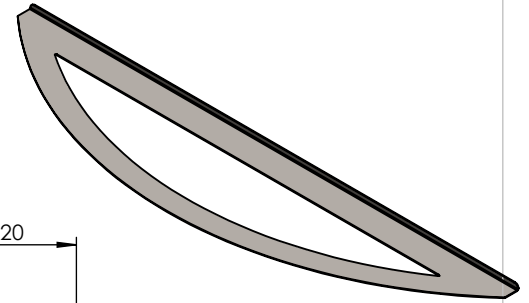
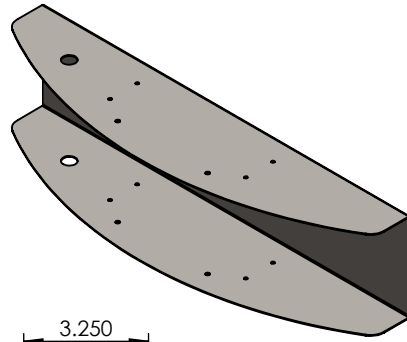


**PROPRIETARY AND CONFIDENTIAL**  
 THE INFORMATION CONTAINED IN THIS DRAWING IS THE SOLE PROPERTY OF <INSERT COMPANY NAME HERE>. ANY REPRODUCTION IN PART OR AS A WHOLE WITHOUT THE WRITTEN PERMISSION OF <INSERT COMPANY NAME HERE> IS PROHIBITED.

		UNLESS OTHERWISE SPECIFIED:		NAME	DATE
		DIMENSIONS ARE IN INCHES	DRAWN		
		TOLERANCES:	CHECKED		
		FRACTIONAL ±	ENG APPR.		
		ANGULAR: MACH ± BEND ±	MFG APPR.		
		TWO PLACE DECIMAL ±	Q.A.		
		THREE PLACE DECIMAL ±	COMMENTS:		
		INTERPRET GEOMETRIC TOLERANCING PER:			
		MATERIAL			
NEXT ASSY	USED ON	FINISH			
APPLICATION		DO NOT SCALE DRAWING			

22 GAUGE		
TITLE: HS-W-18X6-UD-30W-TR-WF-30K		
SIZE <b>A</b>	DWG. NO.	REV
SCALE: 1:5	WEIGHT:	SHEET 5 OF 6

**TOP AND BOTTOM CAPS ARE TO BE WELDED INSIDE SHELL FRAME, FLUSH WITH SIDES**



**PROPRIETARY AND CONFIDENTIAL**  
 THE INFORMATION CONTAINED IN THIS DRAWING IS THE SOLE PROPERTY OF <INSERT COMPANY NAME HERE>. ANY REPRODUCTION IN PART OR AS A WHOLE WITHOUT THE WRITTEN PERMISSION OF <INSERT COMPANY NAME HERE> IS PROHIBITED.

		UNLESS OTHERWISE SPECIFIED:		NAME	DATE	22 GAUGE	
		DIMENSIONS ARE IN INCHES	DRAWN			TITLE:	
		TOLERANCES:	CHECKED			HS-W-18X6-UD-30W-TR-WF-30K	
		FRACTIONAL ±	ENG APPR.			SIZE	DWG. NO.
		ANGULAR: MACH ± BEND ±	MFG APPR.			<b>A</b>	REV
		TWO PLACE DECIMAL ±	Q.A.			SCALE: 1:5	WEIGHT:
		THREE PLACE DECIMAL ±	COMMENTS:				SHEET 6 OF 6
		INTERPRET GEOMETRIC TOLERANCING PER:					
		MATERIAL					
NEXT ASSY	USED ON	FINISH					
APPLICATION		DO NOT SCALE DRAWING					