

**EVERGREEN LIGHTING**

ALL BEND RADIUS .030"

UNLESS OTHERWISE SPECIFIED:  
 DIMENSIONS ARE IN INCHES  
 TOLERANCES:  
 FRACTIONAL ± .003  
 ANGULAR: MACH ± .01 BEND ±  
 TWO PLACE DECIMAL ±  
 THREE PLACE DECIMAL ±.001  
 INTERPRET GEOMETRIC  
 TOLERANCING PER:  
 MATERIAL  
 FINISH

NAME	DATE
DRAWN	
CHECKED	
ENG APPR.	
MFG APPR.	
Q.A.	
COMMENTS:	

TITLE:  
**AALHD-13X25-P-60L-MBK-WF-41K**

SIZE	DWG. NO.	REV
<b>A</b>	<b>TICKET 24361</b>	
SCALE: 1:10	WEIGHT:	SHEET 1 OF 12

5

4

3

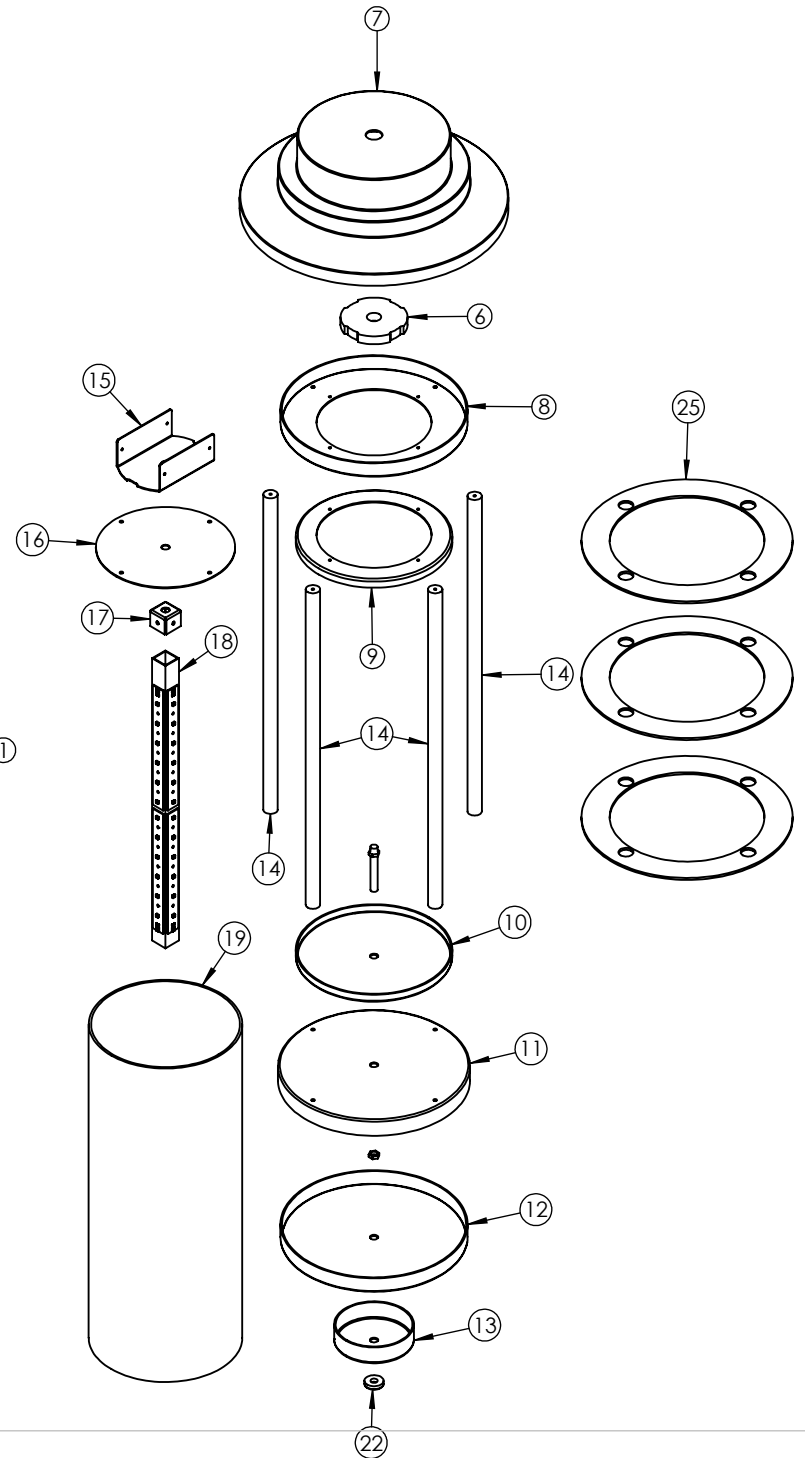
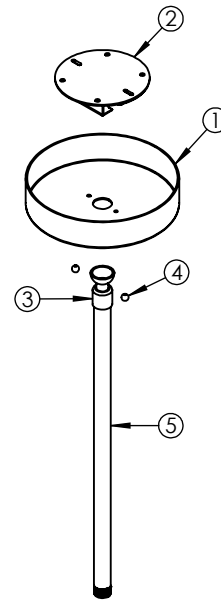
2

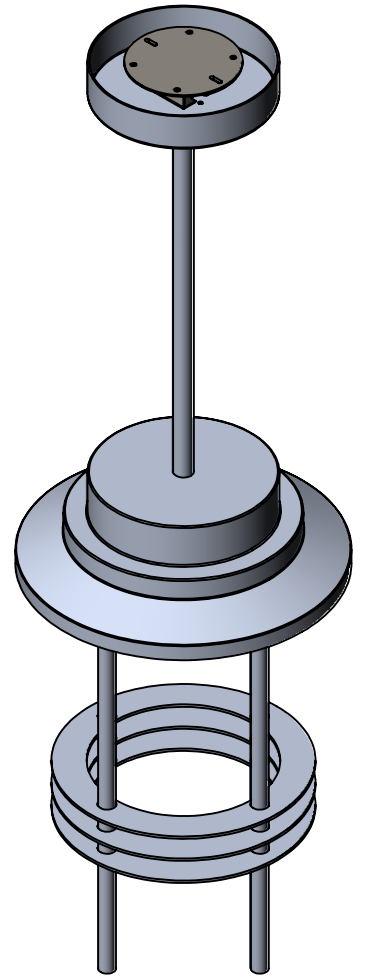
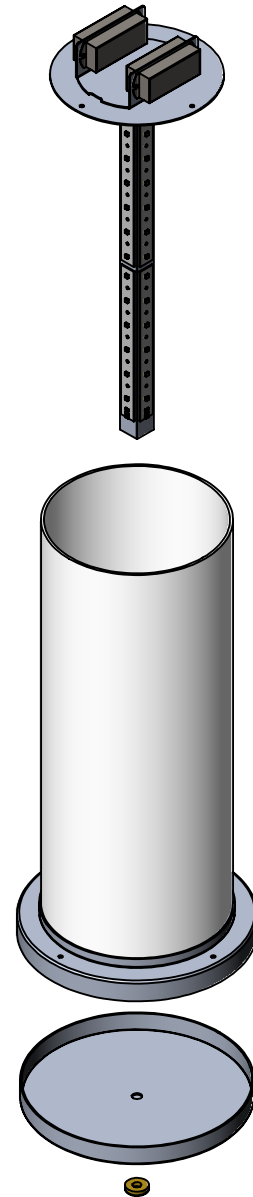
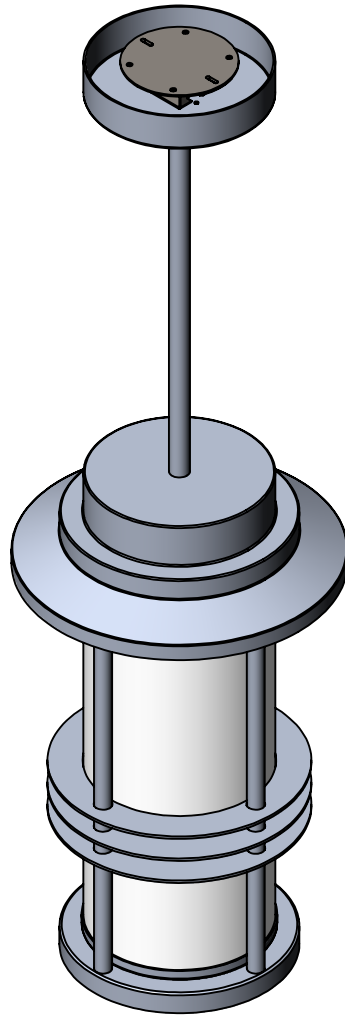
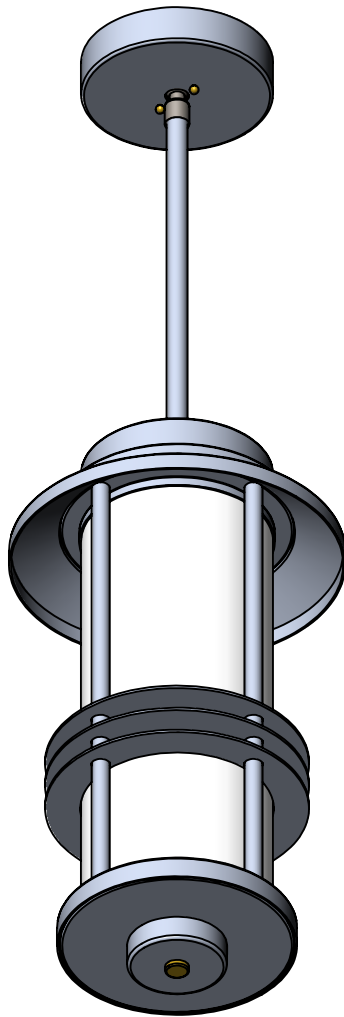
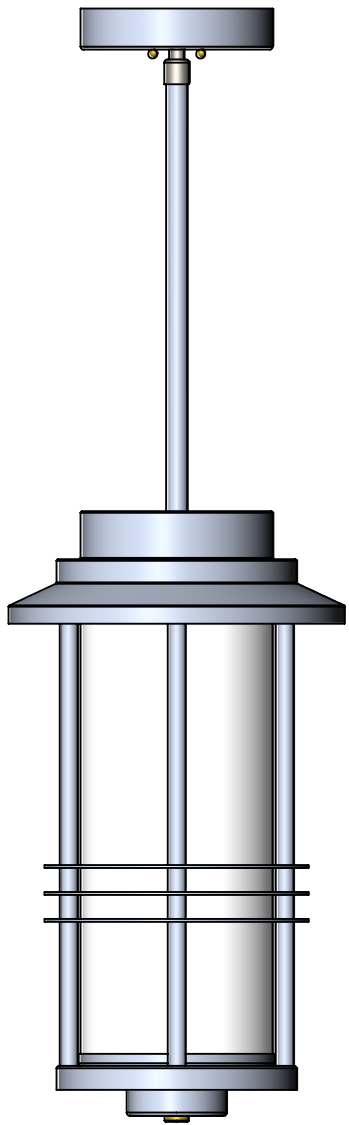
1

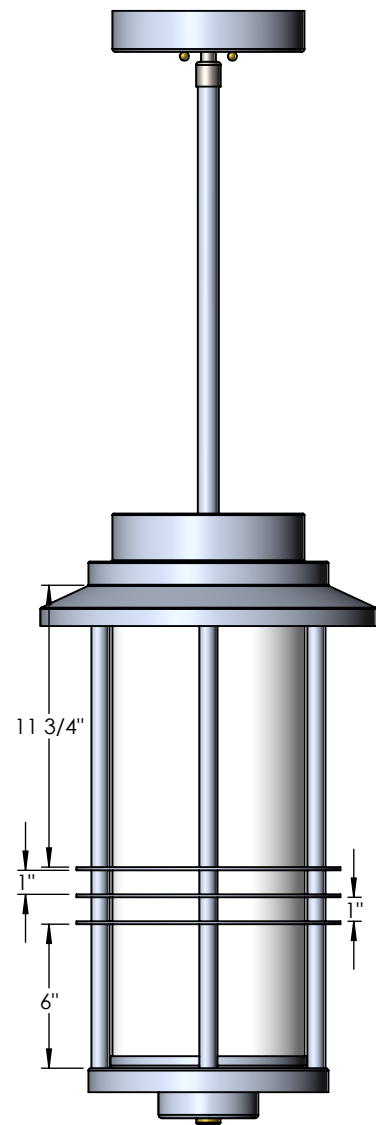
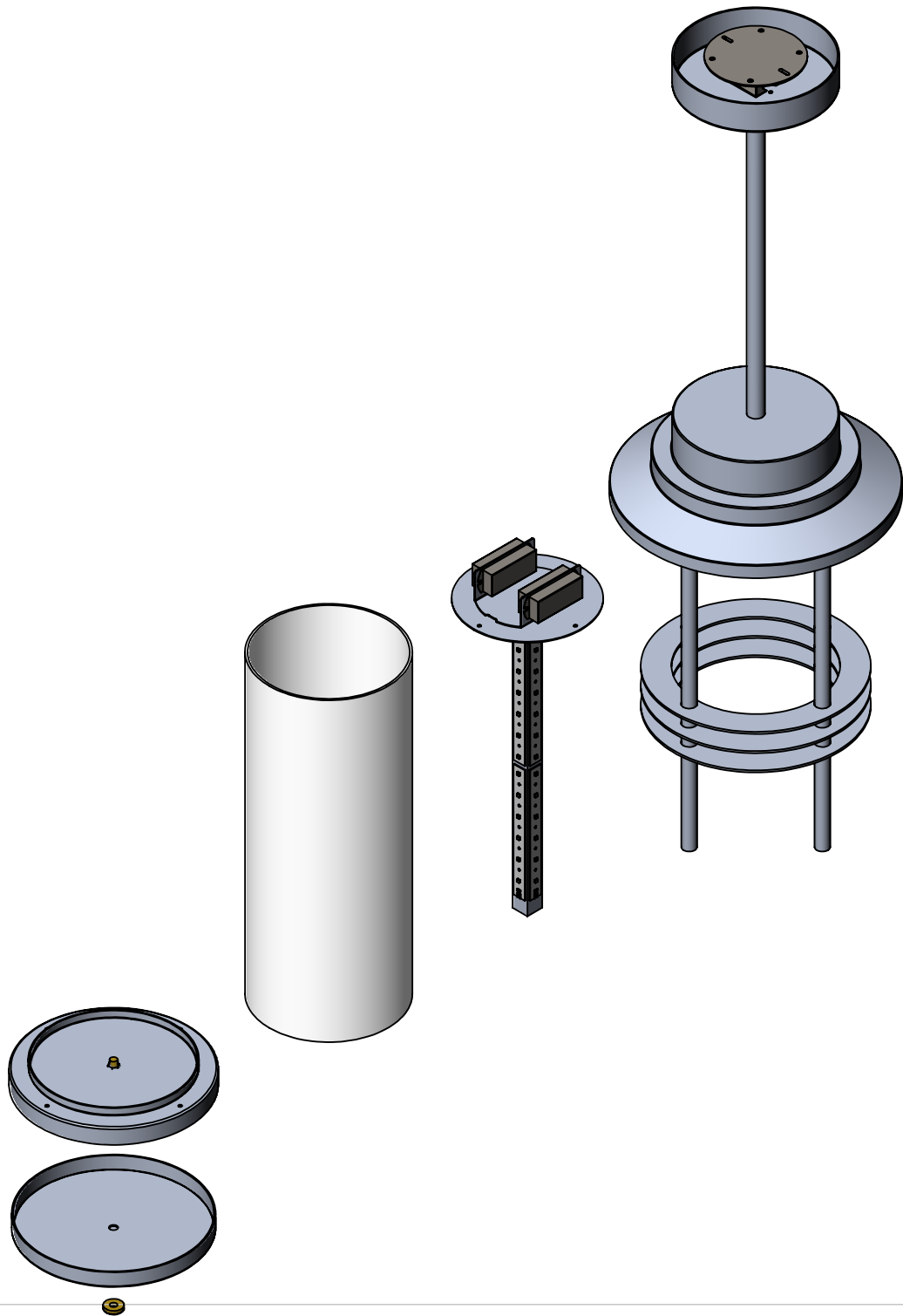
APPLICATION

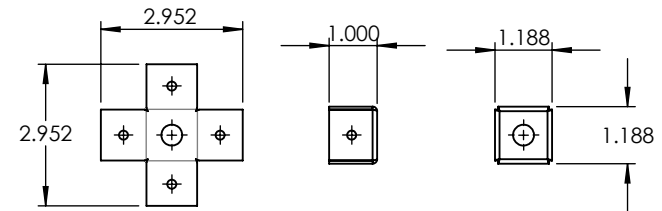
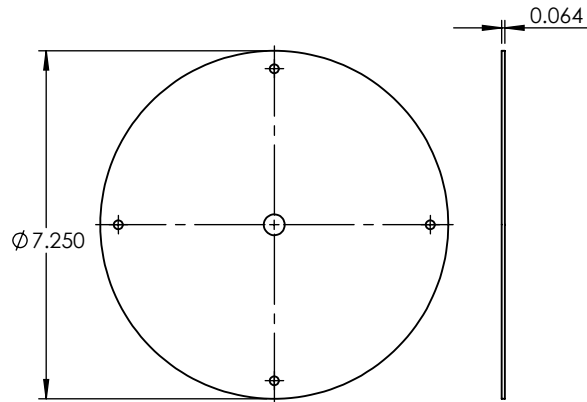
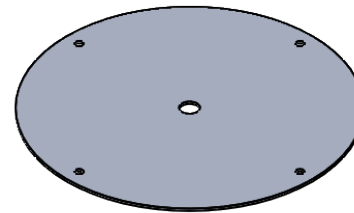
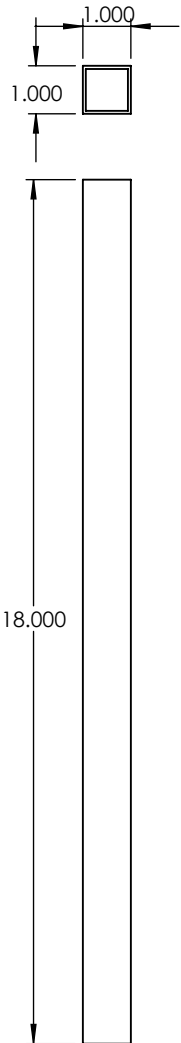
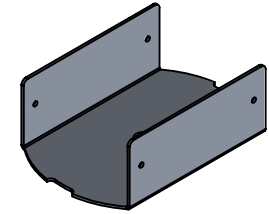
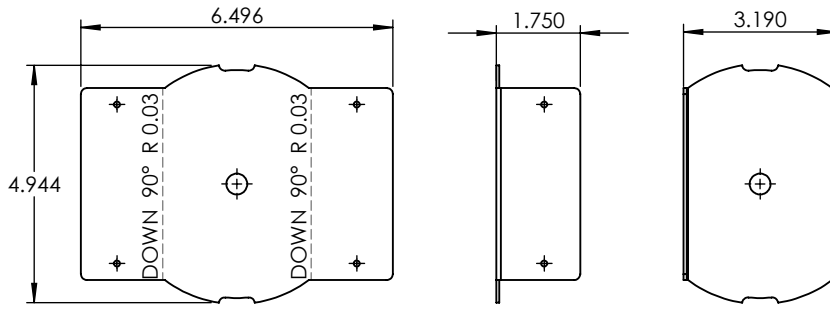
DO NOT SCALE DRAWING

ITEM NO.	PART NUMBER	DESCRIPTION	QTY.	CUT
1	8" SWIVEL CANOPY	SPUN ALUMINUM 0.080"	1	
2	SWIVEL BRACKET	SWIVEL BRACKET	1	
3	SWIVEL	SWIVEL	1	
4	.375 BRASS BALL	BRASS BALL	2	
5	AALHD-13X25-P-60L-MBK-WF-41K-0.875" NECK TUBE	7/8" ROUND ALUMINUM TUBE	1	
6	AALHD-13X25-P-60L-MBK-WF-41K-0.250" NUT	ALUMINUM 0.250" PLATE	1	
7	AALHD-13X25-P-60L-MBK-WF-41K-SPUN SHADE CAP	SPUN ALUMINUM 0.080"	1	
8	AALHD-13X25-P-60L-MBK-WF-41K-SPUN SHADE UNDERCAP TOP	SPUN ALUMINUM 0.080"	1	
9	AALHD-13X25-P-60L-MBK-WF-41K-SPUN LENS CAP TOP	SPUN ALUMINUM 0.080"	1	
10	AALHD-13X25-P-60L-MBK-WF-41K-SPUN LENS CAP BOTTOM	SPUN ALUMINUM 0.080"	1	
11	AALHD-13X25-P-60L-MBK-WF-41K-SPUN BOTTOM CAP	SPUN ALUMINUM 0.080"	1	
12	AALHD-13X25-P-60L-MBK-WF-41K-SPUN SHADE UNDERCAP BOTTOM	SPUN ALUMINUM 0.080"	1	
13	AALHD-13X25-P-60L-MBK-WF-41K-SPUN ACCCENT	SPUN ALUMINUM 0.080"	1	
14	AALHD-13X25-P-60L-MBK-WF-41K-0.750" ALUMINUM BAR	3/4" ALUMINUM ROUND BAR	4	
15	AALHD-13X25-P-60L-MBK-WF-41K-DRIVER BRACKET	ALUMINUM 0.0635"	1	
16	AALHD-13X25-P-60L-MBK-WF-41K-LED PLATE	ALUMINUM 0.0635"	1	
17	AALHD-13X25-P-60L-MBK-WF-41K-TUBE BRACKET	ALUMINUM 0.0635"	1	
18	AALHD-13X25-P-60L-MBK-WF-41K-SQUARE TUBE	1" SQUARE ALUMINUM TUBE	1	
19	AALHD-13X25-P-60L-MBK-WF-41K-ACRYLIC	ACRYLIC	1	
20	AALHD-13X25-P-60L-MBK-WF-41K-NIPPLE	NIPPLE	1	
21	SMALL NUT	STEEL NUT	2	
22	BRASS CYLINDER	1" BRASS CYLINDER	1	
23	DS-15W-350C1542010-3001	DRIVER	4	
24	AHtaILED_PN1004RevD	LED	8	
25	AALHD-13X25-P-60L-MBK-WF-41K-RING ACCENT	ALUMINUM 0.125" PLATE	3	









**PROPRIETARY AND CONFIDENTIAL**  
 THE INFORMATION CONTAINED IN THIS DRAWING IS THE SOLE PROPERTY OF <INSERT COMPANY NAME HERE>. ANY REPRODUCTION IN PART OR AS A WHOLE WITHOUT THE WRITTEN PERMISSION OF <INSERT COMPANY NAME HERE> IS PROHIBITED.

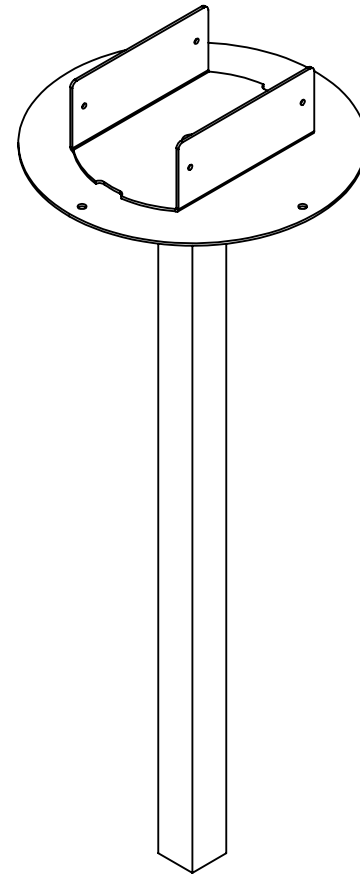
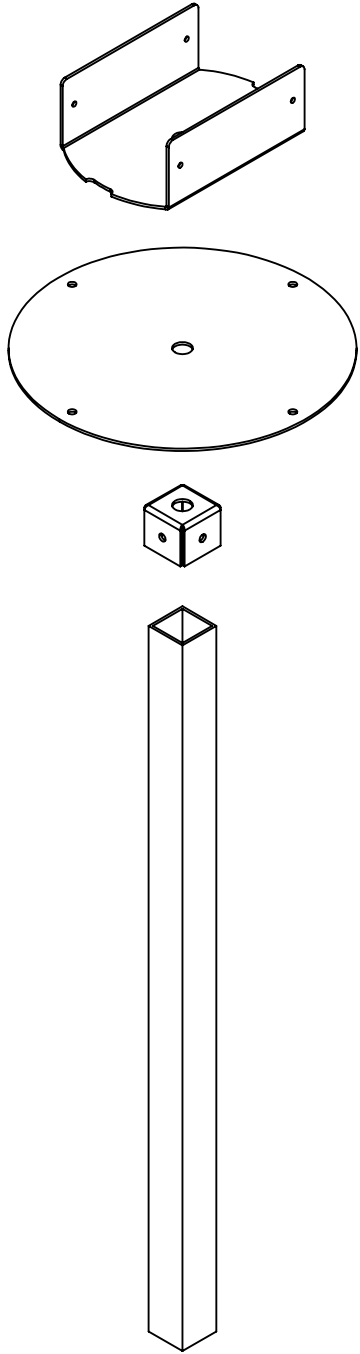
		UNLESS OTHERWISE SPECIFIED:	NAME	DATE
		DIMENSIONS ARE IN INCHES	DRAWN	
		TOLERANCES:	CHECKED	
		FRACTIONAL ±	ENG APPR.	
		ANGULAR: MACH ± BEND ±	MFG APPR.	
		TWO PLACE DECIMAL ±	Q.A.	
		THREE PLACE DECIMAL ±	COMMENTS:	
		INTERPRET GEOMETRIC TOLERANCING PER:		
		MATERIAL		
NEXT ASSY	USED ON	FINISH		
APPLICATION		DO NOT SCALE DRAWING		

ALUMINUM 0.0635"

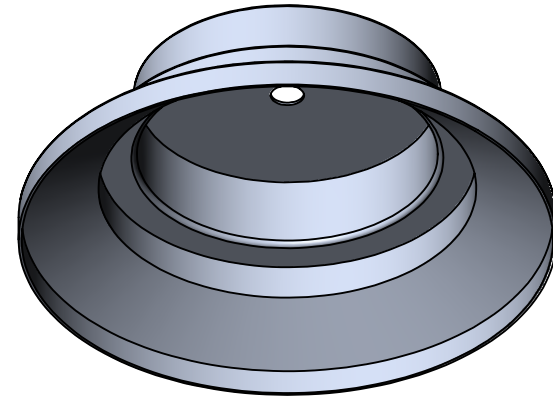
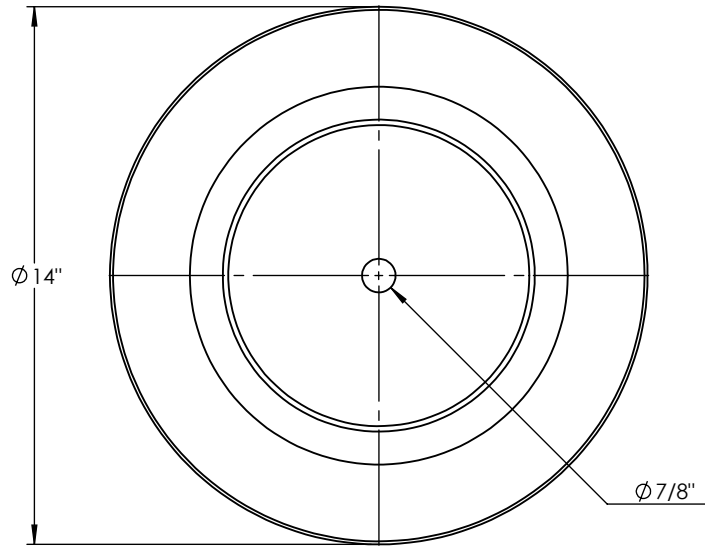
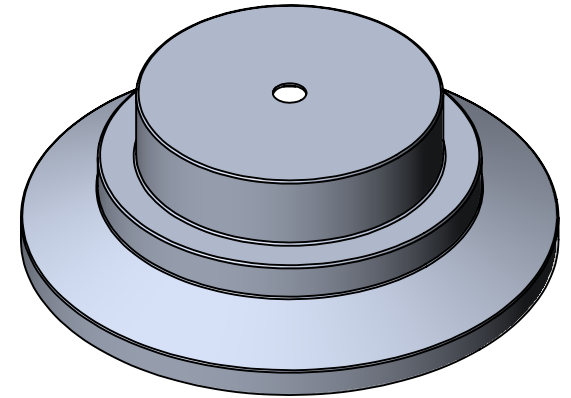
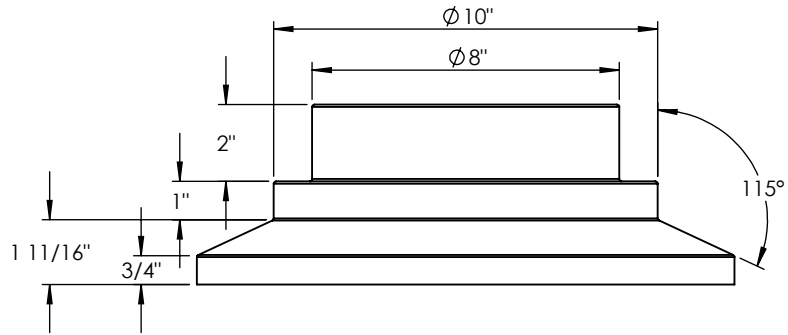
TITLE:  
 AALHD-13X25-P-60L-MBK-WF-41K

SIZE DWG. NO. REV  
**A**

SCALE: 1:4 WEIGHT: SHEET 5 OF 12



ITEM NO.	PART NUMBER	DESCRIPTION	QTY.
1	AALHD-13X25-P-60L-MBK-WF-41K-SPUN SHADE CAP	SPUN ALUMINUM 0.080"	1

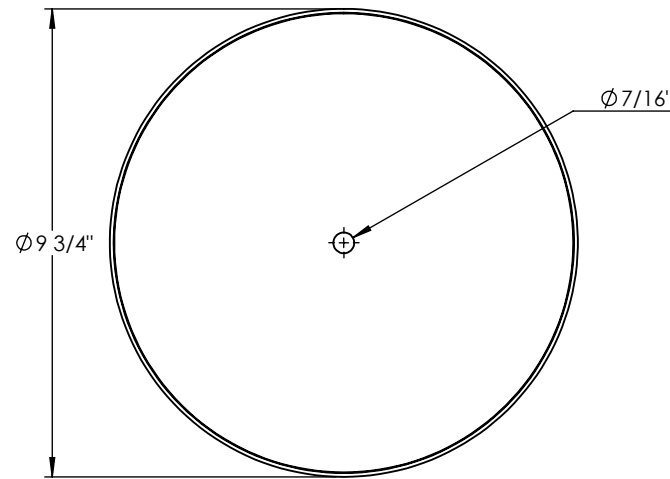
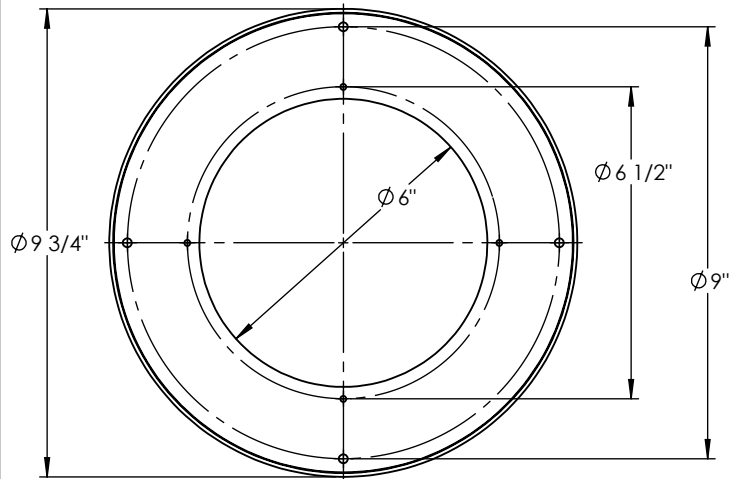
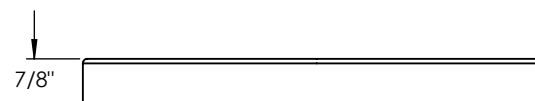
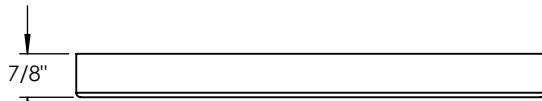
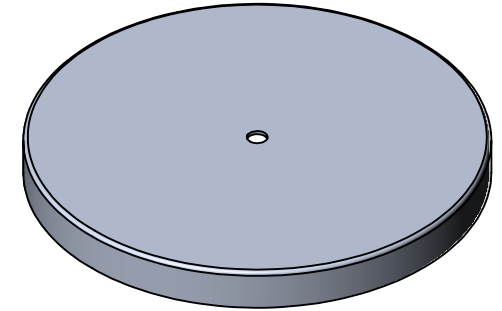
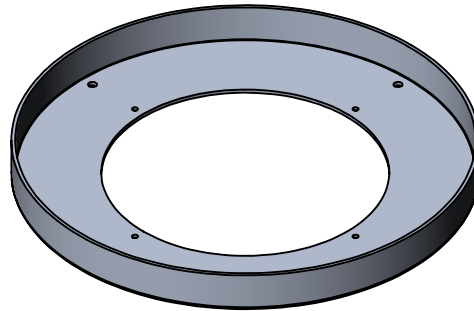


**PROPRIETARY AND CONFIDENTIAL**  
 THE INFORMATION CONTAINED IN THIS DRAWING IS THE SOLE PROPERTY OF <INSERT COMPANY NAME HERE>. ANY REPRODUCTION IN PART OR AS A WHOLE WITHOUT THE WRITTEN PERMISSION OF <INSERT COMPANY NAME HERE> IS PROHIBITED.

		UNLESS OTHERWISE SPECIFIED:	NAME	DATE	SPUN ALUMINUM 0.080"	
		DIMENSIONS ARE IN INCHES TOLERANCES: FRACTIONAL ± ANGULAR: MACH ± BEND ± TWO PLACE DECIMAL ± THREE PLACE DECIMAL ±	DRAWN		TITLE:	
		INTERPRET GEOMETRIC TOLERANCING PER:	CHECKED		AALHD-13X25-P-60L-MBK-WF-41K	
		MATERIAL	ENG APPR.		SIZE	DWG. NO.
NEXT ASSY	USED ON	FINISH	MFG APPR.		<b>A</b>	REV
APPLICATION		DO NOT SCALE DRAWING	Q.A.		SCALE: 1:5	WEIGHT:
			COMMENTS:			SHEET 7 OF 12

ITEM NO.	PART NUMBER	DESCRIPTION	QTY.
1	AALHD-13X25-P-60L-MBK-WF-41K-SPUN SHADE UNDERCAP TOP	SPUN ALUMINUM 0.080"	1

ITEM NO.	PART NUMBER	DESCRIPTION	QTY.
1	AALHD-13X25-P-60L-MBK-WF-41K-SPUN SHADE UNDERCAP BOTTOM	SPUN ALUMINUM 0.080"	1



**PROPRIETARY AND CONFIDENTIAL**  
 THE INFORMATION CONTAINED IN THIS DRAWING IS THE SOLE PROPERTY OF <INSERT COMPANY NAME HERE>. ANY REPRODUCTION IN PART OR AS A WHOLE WITHOUT THE WRITTEN PERMISSION OF <INSERT COMPANY NAME HERE> IS PROHIBITED.

		UNLESS OTHERWISE SPECIFIED:	NAME	DATE
		DIMENSIONS ARE IN INCHES	DRAWN	
		TOLERANCES:	CHECKED	
		FRACTIONAL ±	ENG APPR.	
		ANGULAR: MACH ± BEND ±	MFG APPR.	
		TWO PLACE DECIMAL ±	Q.A.	
		THREE PLACE DECIMAL ±	COMMENTS:	
		INTERPRET GEOMETRIC TOLERANCING PER:		
		MATERIAL		
NEXT ASSY	USED ON	FINISH		
APPLICATION		DO NOT SCALE DRAWING		

SPUN ALUMINUM 0.080"

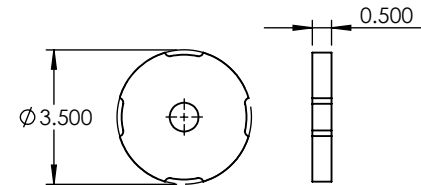
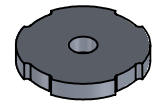
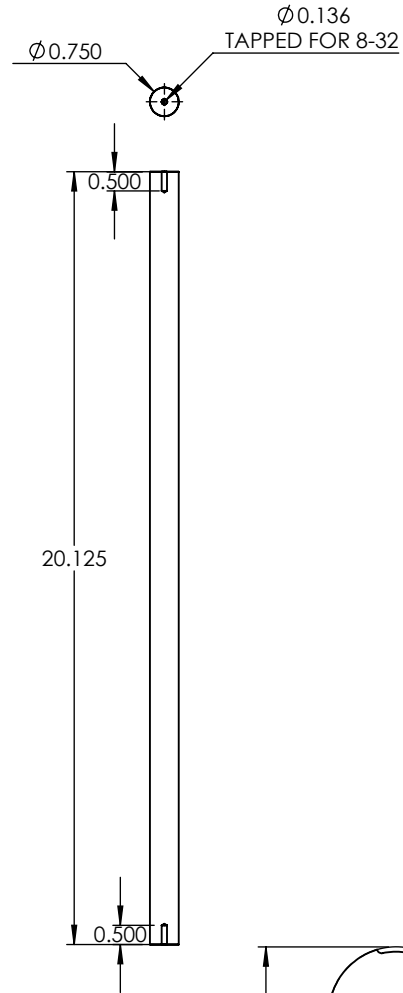
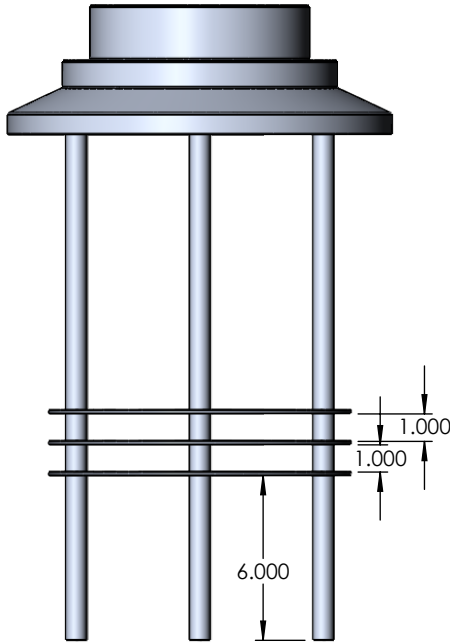
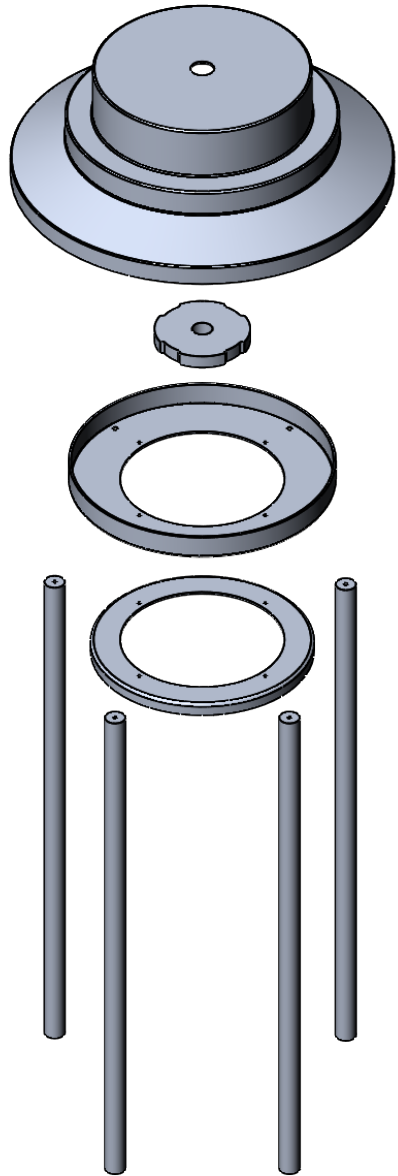
TITLE:

AALHD-13X25-P-60L-MBK-WF-41K

SIZE	DWG. NO.	REV
<b>A</b>		

SCALE: 1:4	WEIGHT:	SHEET 8 OF 12
------------	---------	---------------





UNLESS OTHERWISE SPECIFIED:

DIMENSIONS ARE IN INCHES  
 TOLERANCES:  
 FRACTIONAL ±  
 ANGULAR: MACH ± BEND ±  
 TWO PLACE DECIMAL ±  
 THREE PLACE DECIMAL ±

INTERPRET GEOMETRIC  
 TOLERANCING PER:

MATERIAL

FINISH

DO NOT SCALE DRAWING

	NAME	DATE
DRAWN		
CHECKED		
ENG APPR.		
MFG APPR.		
Q.A.		
COMMENTS:		

3/4" ALUMINUM ROUND BAR

TITLE:

AALHD-13X25-P-60L-MBK-WF-41K

SIZE	DWG. NO.	REV
<b>A</b>		

SCALE: 1:5 WEIGHT: SHEET 9 OF 12

**PROPRIETARY AND CONFIDENTIAL**  
 THE INFORMATION CONTAINED IN THIS  
 DRAWING IS THE SOLE PROPERTY OF  
 <INSERT COMPANY NAME HERE>. ANY  
 REPRODUCTION IN PART OR AS A WHOLE  
 WITHOUT THE WRITTEN PERMISSION OF  
 <INSERT COMPANY NAME HERE> IS  
 PROHIBITED.

NEXT ASSY	USED ON	APPLICATION

5

4

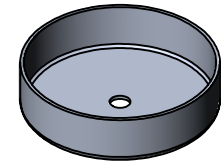
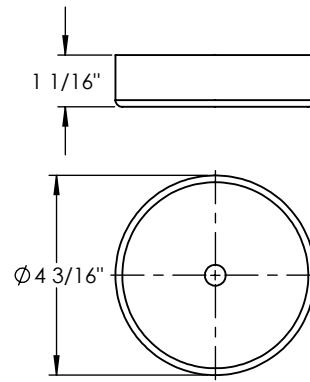
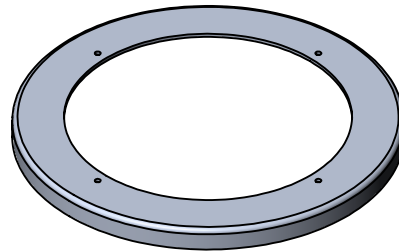
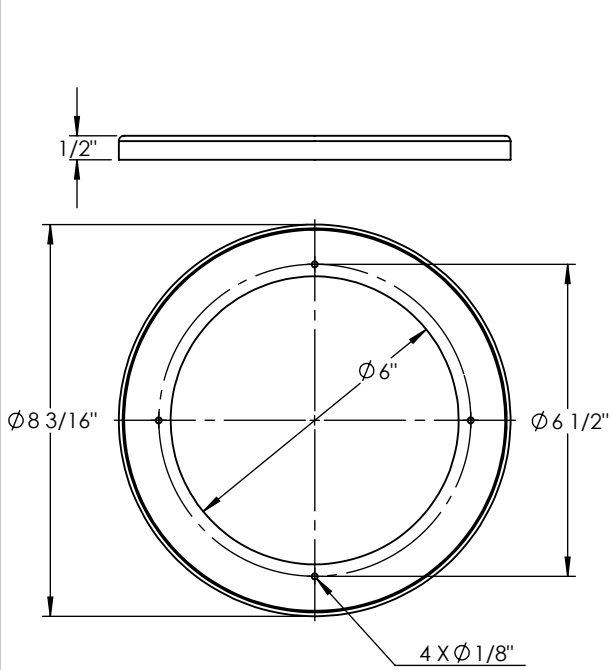
3

2

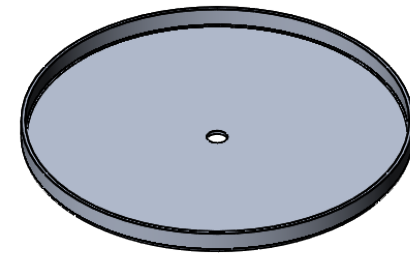
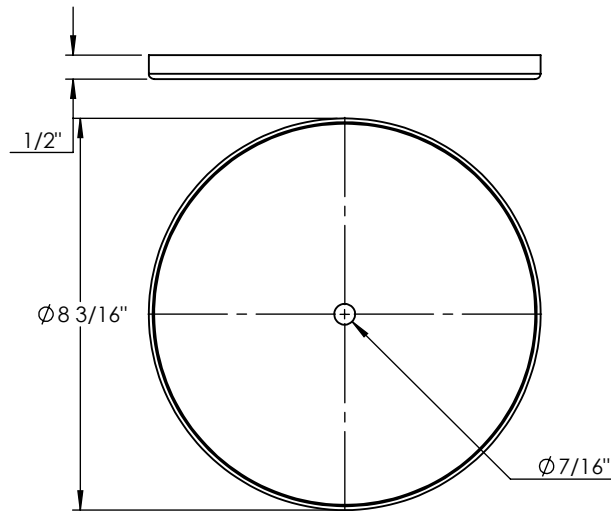
1

ITEM NO.	PART NUMBER	DESCRIPTION	QTY.
1	AALHD-13X25-P-60L-MBK-WF-41K-SPUN LENS CAP TOP	SPUN ALUMINUM 0.080"	1

ITEM NO.	PART NUMBER	DESCRIPTION	QTY.
1	AALHD-13X25-P-60L-MBK-WF-41K-SPUN ACCCENT	SPUN ALUMINUM 0.080"	1



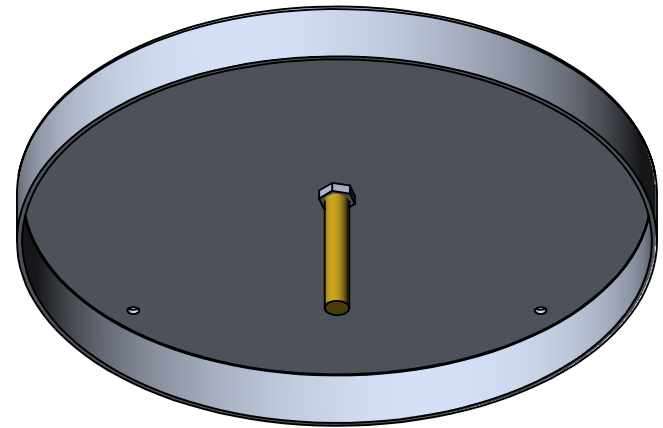
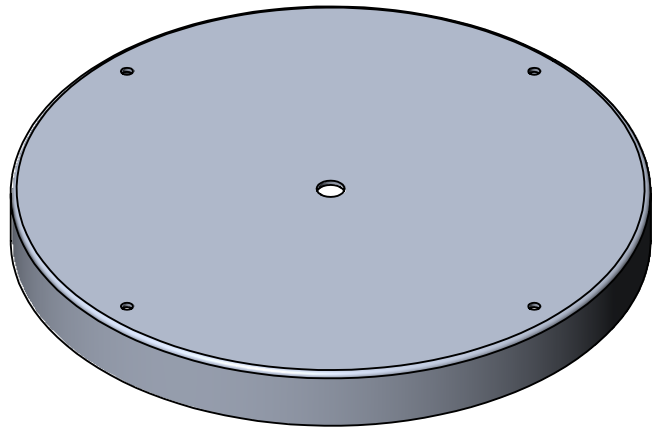
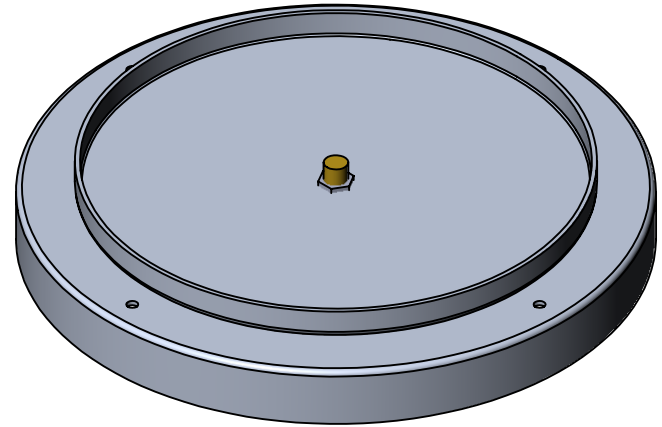
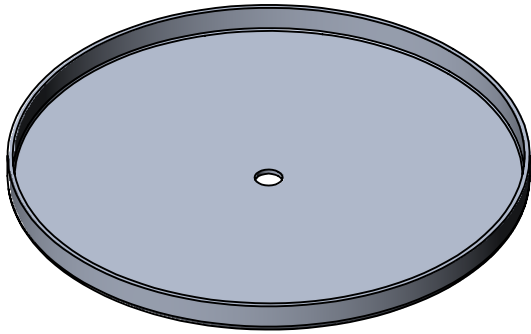
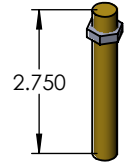
ITEM NO.	PART NUMBER	DESCRIPTION	QTY.
1	AALHD-13X25-P-60L-MBK-WF-41K-SPUN LENS CAP BOTTOM	SPUN ALUMINUM 0.080"	1



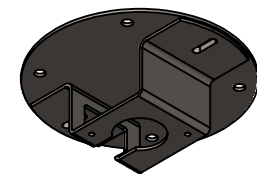
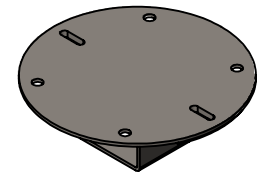
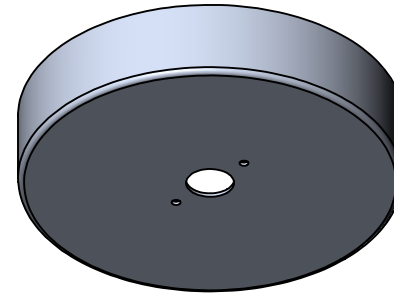
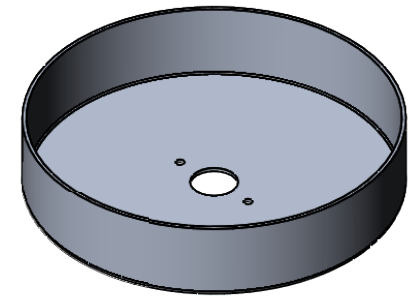
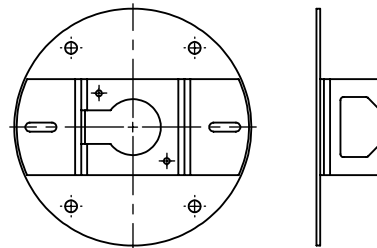
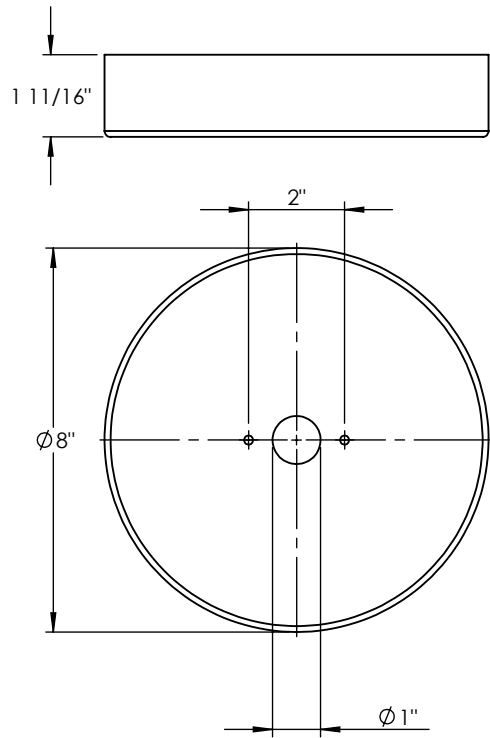
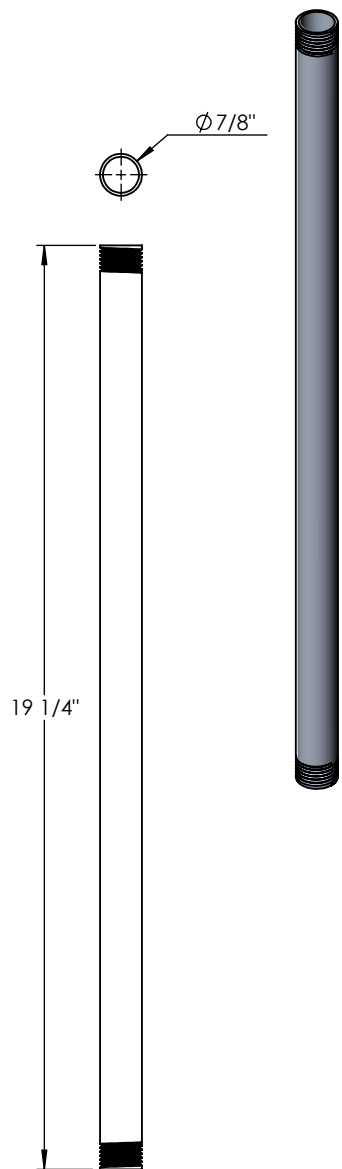
**PROPRIETARY AND CONFIDENTIAL**  
 THE INFORMATION CONTAINED IN THIS DRAWING IS THE SOLE PROPERTY OF <INSERT COMPANY NAME HERE>. ANY REPRODUCTION IN PART OR AS A WHOLE WITHOUT THE WRITTEN PERMISSION OF <INSERT COMPANY NAME HERE> IS PROHIBITED.

		UNLESS OTHERWISE SPECIFIED:		NAME	DATE
		DIMENSIONS ARE IN INCHES TOLERANCES: FRACTIONAL ± ANGULAR: MACH ± BEND ± TWO PLACE DECIMAL ± THREE PLACE DECIMAL ±	DRAWN		
		INTERPRET GEOMETRIC TOLERANCING PER:	CHECKED		
		MATERIAL	ENG APPR.		
		FINISH	MFG APPR.		
NEXT ASSY	USED ON		Q.A.		
			COMMENTS:		
APPLICATION		DO NOT SCALE DRAWING			

SPUN ALUMINUM 0.080"		
TITLE:		
AALHD-13X25-P-60L-MBK-WF-41K		
SIZE	DWG. NO.	REV
<b>A</b>		
SCALE: 1:4	WEIGHT:	SHEET 10 OF 12



ITEM NO.	PART NUMBER	DESCRIPTION	QTY.
1	10" SWIVEL CANOPY	SPUN ALUMINUM 0.080"	1



**PROPRIETARY AND CONFIDENTIAL**  
 THE INFORMATION CONTAINED IN THIS DRAWING IS THE SOLE PROPERTY OF <INSERT COMPANY NAME HERE>. ANY REPRODUCTION IN PART OR AS A WHOLE WITHOUT THE WRITTEN PERMISSION OF <INSERT COMPANY NAME HERE> IS PROHIBITED.

		UNLESS OTHERWISE SPECIFIED:	NAME	DATE
		DIMENSIONS ARE IN INCHES TOLERANCES: FRACTIONAL ± ANGULAR: MACH ± BEND ± TWO PLACE DECIMAL ± THREE PLACE DECIMAL ±	DRAWN	
		INTERPRET GEOMETRIC TOLERANCING PER:	CHECKED	
		MATERIAL	ENG APPR.	
		FINISH	MFG APPR.	
NEXT ASSY	USED ON		Q.A.	
			COMMENTS:	
APPLICATION		DO NOT SCALE DRAWING		

SPUN ALUMINUM 0.080"

TITLE:

AALHD-13X25-P-60L-MBK-WF-41K

SIZE	DWG. NO.	REV
<b>A</b>		

SCALE: 1:4 WEIGHT: SHEET 12 OF 12