

ALL BEND RADIUS .030"

UNLESS OTHERWISE SPECIFIED:  
 DIMENSIONS ARE IN INCHES  
 TOLERANCES:  
 FRACTIONAL ± .003  
 ANGULAR: MACH ± .01 BEND ±  
 TWO PLACE DECIMAL ±  
 THREE PLACE DECIMAL ±.001  
 INTERPRET GEOMETRIC  
 TOLERANCING PER:  
 MATERIAL  
 FINISH  
 APPLICATION  
 DO NOT SCALE DRAWING

	NAME	DATE
DRAWN		
CHECKED		
ENG APPR.		
MFG APPR.		
Q.A.		
COMMENTS:		

TITLE:  
 ALC-PST-MD-50W-144X4-TBR-CFA-27K

SIZE	DWG. NO.	REV
A	TICKET 24602	
SCALE: 1:13	WEIGHT:	SHEET 1 OF 11

5

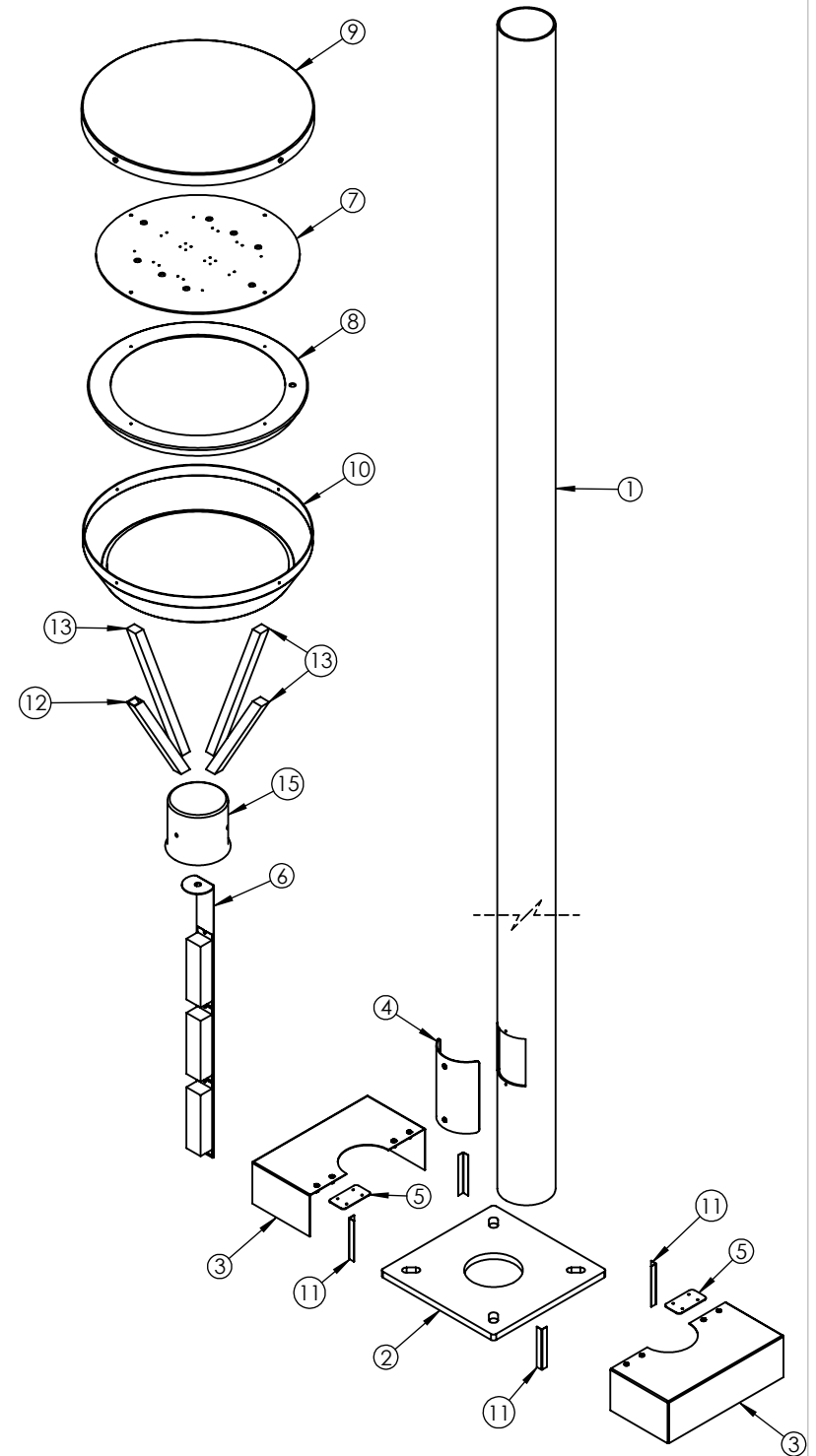
4

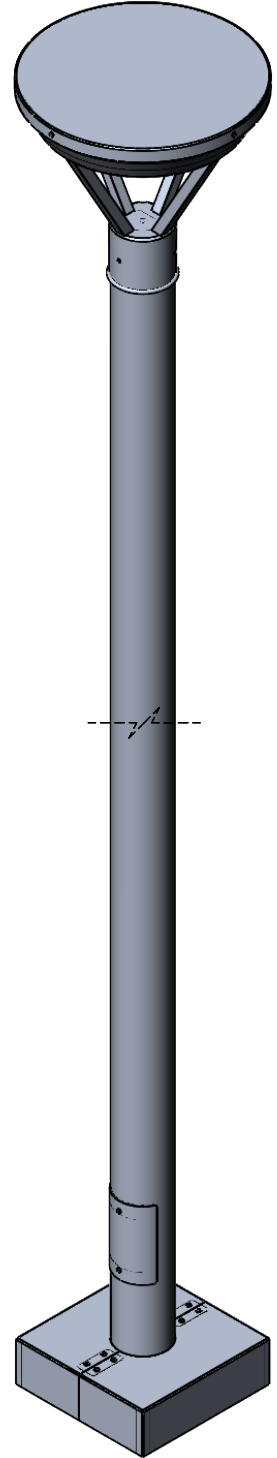
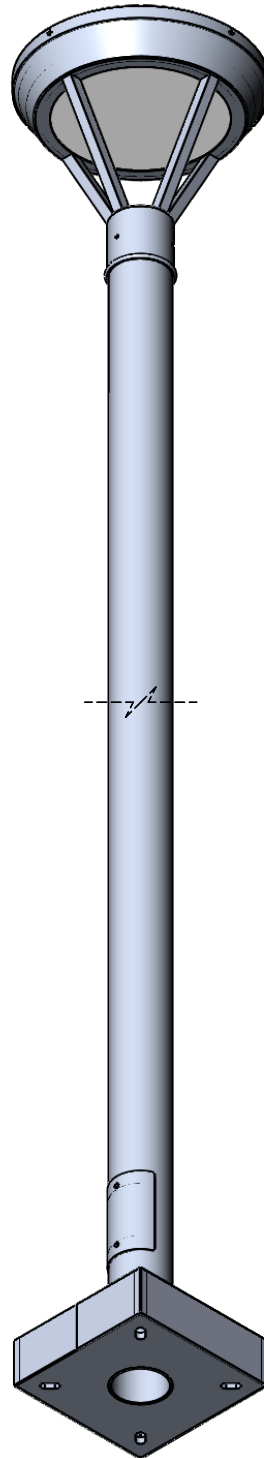
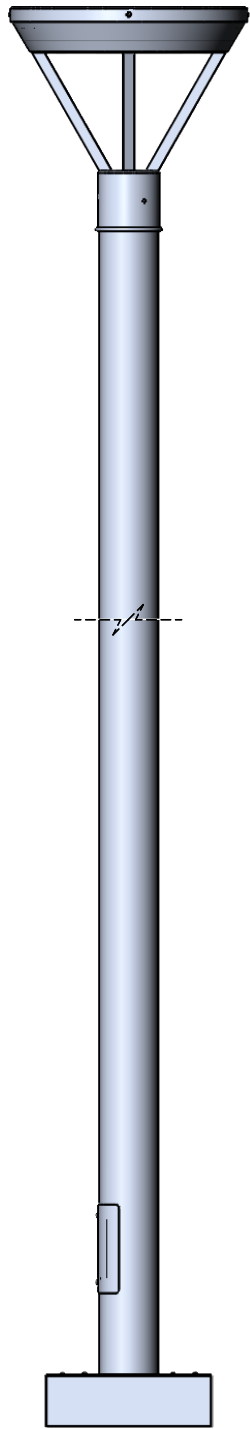
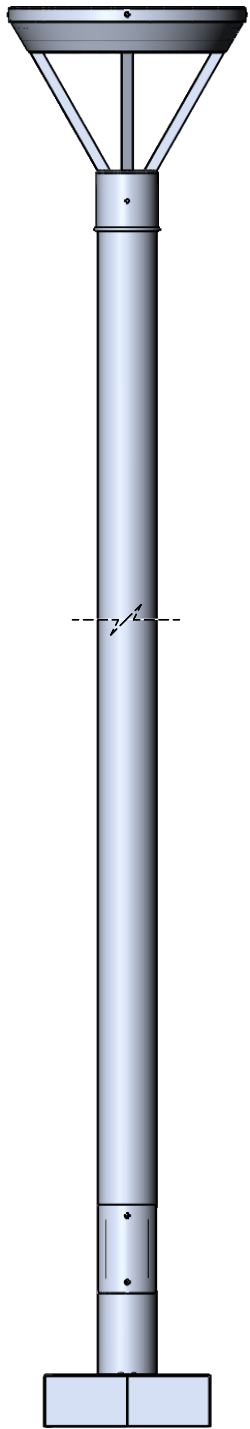
3

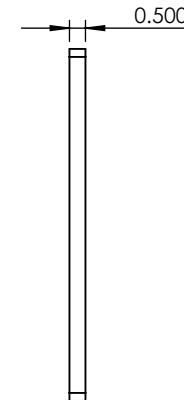
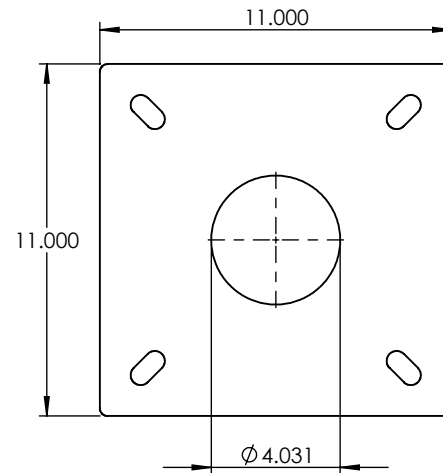
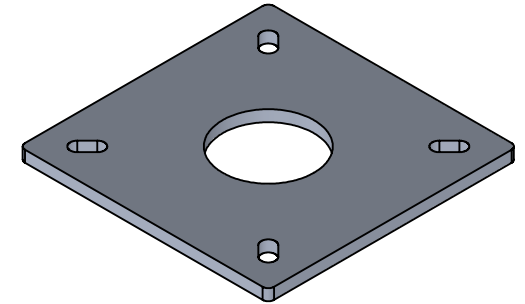
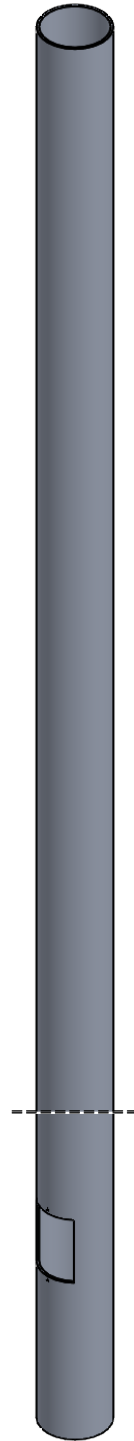
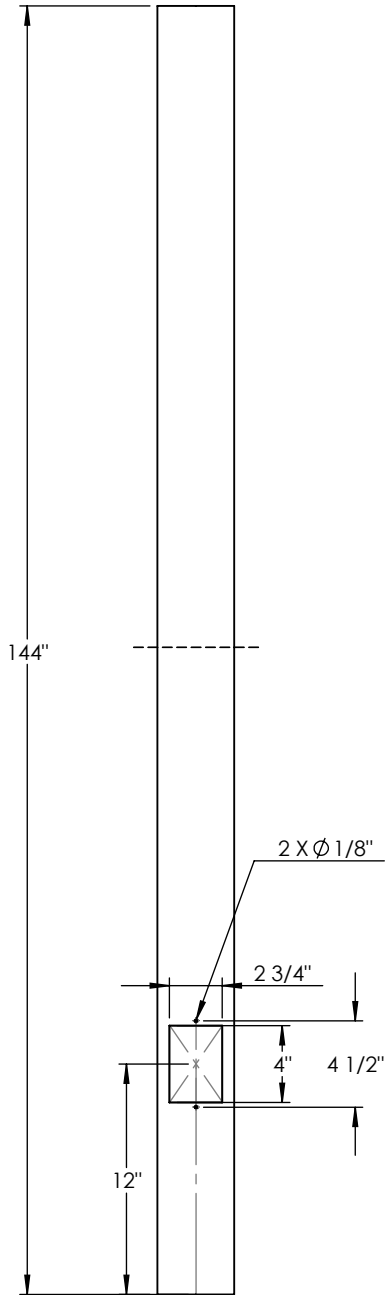
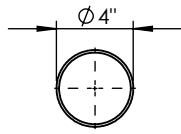
2

1

ITEM NO.	PART NUMBER	DESCRIPTION	QTY.	CUT
1	ALC-PST-MD-50W-144X4-TBR-CFA-27K-4" CYLINDER POST	4" ALUMINUM TUBE	1	
2	ALC-PST-MD-50W-144X4-TBR-CFA-27K-ANCHOR PLATE	ALUMINUM 0.500" PLATE	1	
3	ALC-PST-MD-50W-144X4-TBR-CFA-27K-ANCHOR COVER	ALUMINUM 0.0635"	2	
4	ALC-PST-MD-50W-144X4-TBR-CFA-27K-HAND COVER	ALUMINUM 0.0635"	1	
5	ALC-PST-MD-50W-144X4-TBR-CFA-27K-COVER BRACKET	ALUMINUM 0.0635"	2	
6	ALC-PST-MD-50W-144X4-TBR-CFA-27K-DRIVER BRACKET	ALUMINUM 0.0635"	1	
7	ALC-PST-MD-50W-144X4-TBR-CFA-27K-LED PLATE	ALUMINUM 0.125" PLATE	1	
8	ALC-PST-MD-50W-144X4-TBR-CFA-27K-SPUN LED BRACKET	SPUN ALUMINUM 0.080"	1	
9	ALC-PST-MD-50W-144X4-TBR-CFA-27K-SPUN TOP COVER	SPUN ALUMINUM 0.080"	1	
10	ALC-PST-MD-50W-144X4-TBR-CFA-27K-SPUN SEAT BOWL	SPUN ALUMINUM 0.080"	1	
11	ALC-PST-MD-50W-144X4-TBR-CFA-27K-COVER TAB	25 GAUGE	4	
12	ALC-B-MD-20W-42"-MBK-CFA-41K-SPACER TUBE ARMS	1/2" SQUARE ALUMINUM TUBE	1	
13	ALC-B-MD-20W-42"-MBK-CFA-41K-SPACER BAR ARMS	1/2" SQUARE ALUMINUM BAR	3	
14	ALC-PST-MD-50W-144X4-TBR-CFA-27K-ACRYLIC	ACRYLIC	1	
15	4" POST FITTER	POST FITTER	1	
16	Alfal_LED_PN1019_SHIM PLATE	ALUMINUM 0.125" PLATE	6	
17	KTLD-25-UV-700-VDIM-LA1	DRIVER	3	
18	Alfal_LED_PN1019_RevC	LED	6	







UNLESS OTHERWISE SPECIFIED:		NAME	DATE	4" ALUMINUM TUBE			
DIMENSIONS ARE IN INCHES		DRAWN				TITLE:	
TOLERANCES:		CHECKED		ALC-PST-MD-50W-144X4-TBR-CFA-27K			
FRACTIONAL ±		ENG APPR.				SIZE	DWG. NO.
ANGULAR: MACH ± BEND ±		MFG APPR.				REV	
TWO PLACE DECIMAL ±		Q.A.		SCALE: 1:10			
THREE PLACE DECIMAL ±		COMMENTS:		WEIGHT:			
INTERPRET GEOMETRIC TOLERANCING PER:				SHEET 4 OF 11			
MATERIAL							
FINISH							
DO NOT SCALE DRAWING							

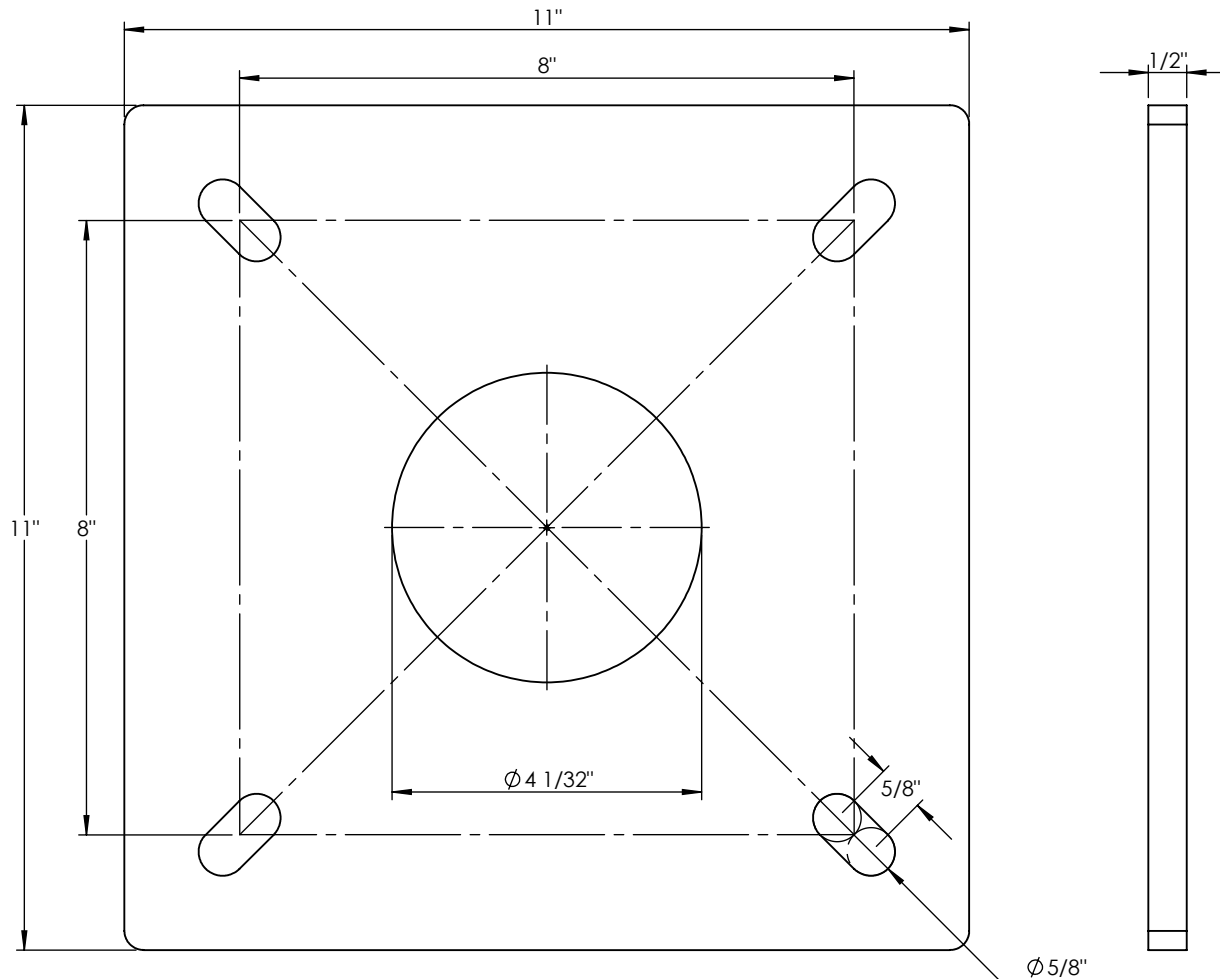
5

4

3

2

1



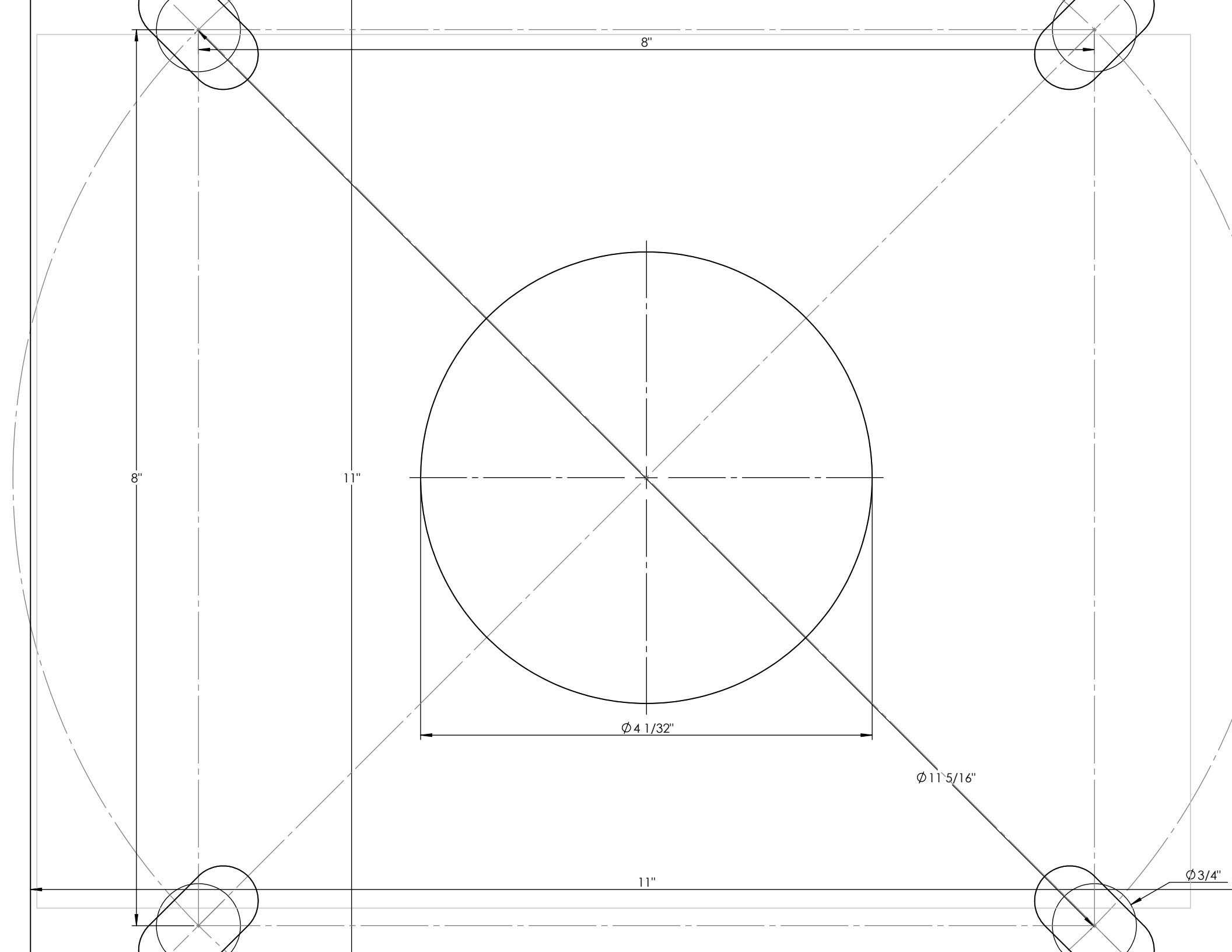
**PROPRIETARY AND CONFIDENTIAL**  
 THE INFORMATION CONTAINED IN THIS DRAWING IS THE SOLE PROPERTY OF <INSERT COMPANY NAME HERE>. ANY REPRODUCTION IN PART OR AS A WHOLE WITHOUT THE WRITTEN PERMISSION OF <INSERT COMPANY NAME HERE> IS PROHIBITED.

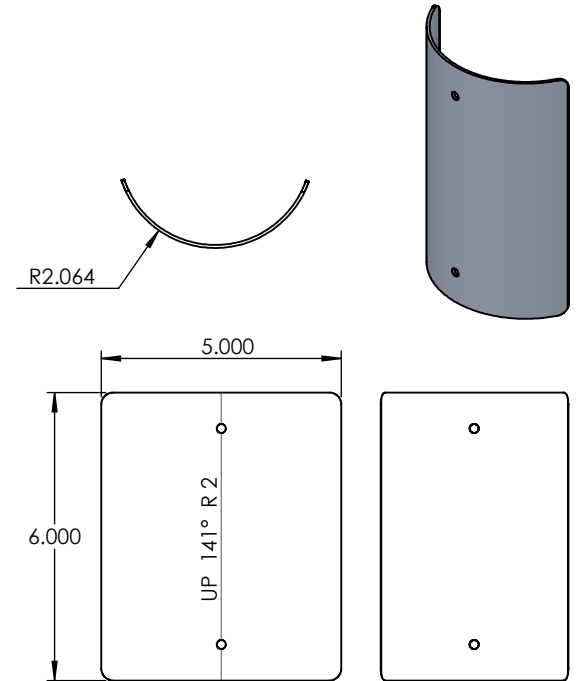
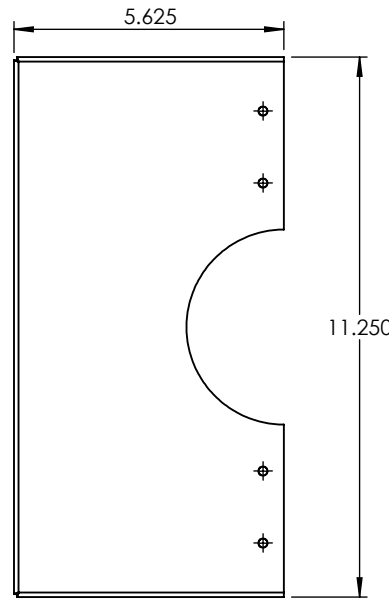
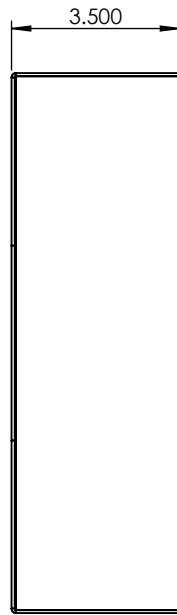
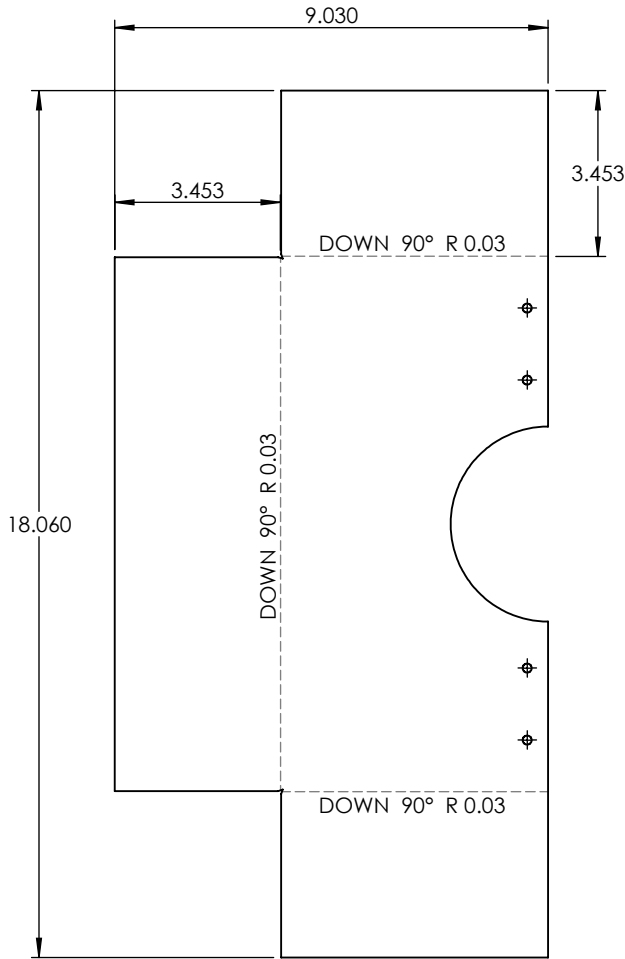
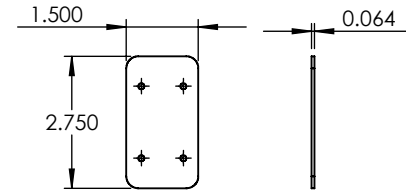
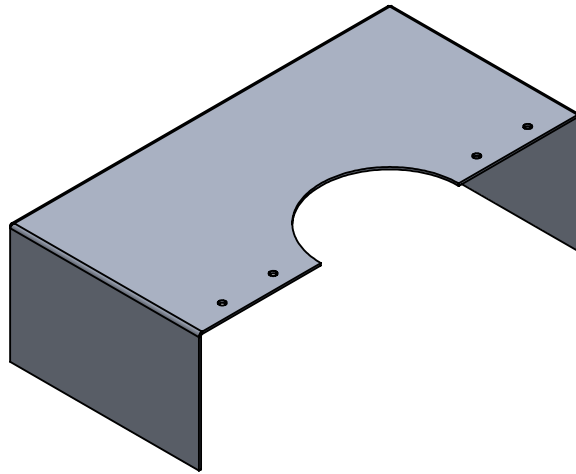
NEXT ASSY	USED ON
APPLICATION	

UNLESS OTHERWISE SPECIFIED:
DIMENSIONS ARE IN INCHES
TOLERANCES:
FRACTIONAL ±
ANGULAR: MACH ± BEND ±
TWO PLACE DECIMAL ±
THREE PLACE DECIMAL ±
INTERPRET GEOMETRIC TOLERANCING PER:
MATERIAL
FINISH
DO NOT SCALE DRAWING

NAME	DATE
DRAWN	
CHECKED	
ENG APPR.	
MFG APPR.	
Q.A.	
COMMENTS:	

ALUMINUM 0.500" PLATE		
TITLE:		
ALC-PST-MD-50W-144X4-TBR-CFA-27K		
SIZE	DWG. NO.	REV
<b>A</b>		
SCALE: 1:2.5WEIGHT:		SHEET 5 OF 11





UNLESS OTHERWISE SPECIFIED:

DIMENSIONS ARE IN INCHES  
 TOLERANCES:  
 FRACTIONAL ±  
 ANGULAR: MACH ± BEND ±  
 TWO PLACE DECIMAL ±  
 THREE PLACE DECIMAL ±

INTERPRET GEOMETRIC  
 TOLERANCING PER:

MATERIAL

FINISH

DO NOT SCALE DRAWING

NAME

DATE

ALUMINUM 0.0635"

TITLE:

ALC-PST-MD-50W-144X4-TBR-CFA-27K

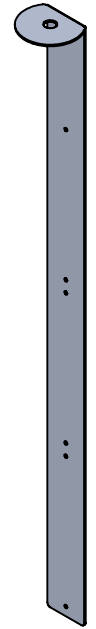
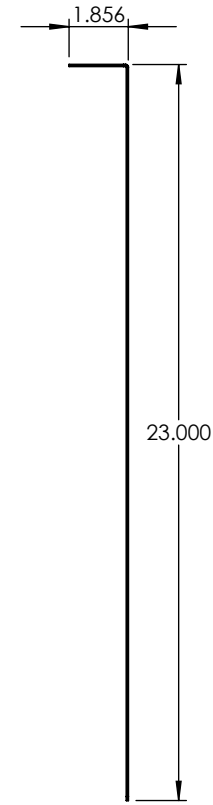
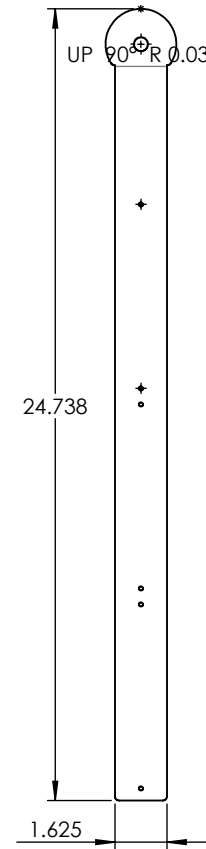
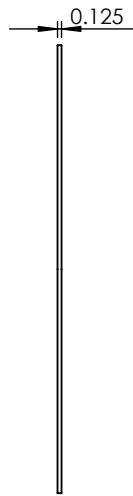
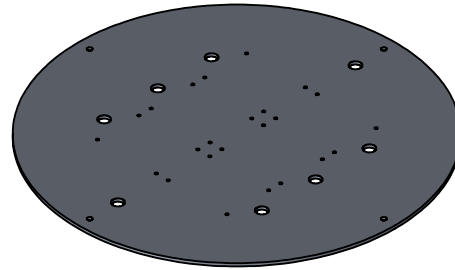
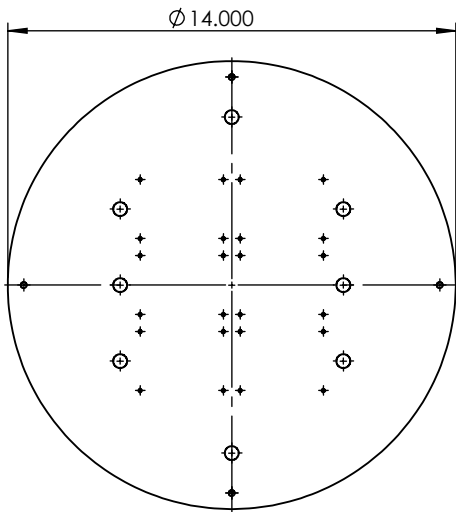
**PROPRIETARY AND CONFIDENTIAL**

THE INFORMATION CONTAINED IN THIS  
 DRAWING IS THE SOLE PROPERTY OF  
 <INSERT COMPANY NAME HERE>. ANY  
 REPRODUCTION IN PART OR AS A WHOLE  
 WITHOUT THE WRITTEN PERMISSION OF  
 <INSERT COMPANY NAME HERE> IS  
 PROHIBITED.

NEXT ASSY	USED ON	
APPLICATION		

DRAWN		
CHECKED		
ENG APPR.		
MFG APPR.		
Q.A.		
COMMENTS:		

SIZE	DWG. NO.	REV
<b>A</b>		
SCALE: 1:4	WEIGHT:	SHEET 7 OF 11



**PROPRIETARY AND CONFIDENTIAL**  
 THE INFORMATION CONTAINED IN THIS DRAWING IS THE SOLE PROPERTY OF <INSERT COMPANY NAME HERE>. ANY REPRODUCTION IN PART OR AS A WHOLE WITHOUT THE WRITTEN PERMISSION OF <INSERT COMPANY NAME HERE> IS PROHIBITED.

		UNLESS OTHERWISE SPECIFIED:	NAME	DATE
		DIMENSIONS ARE IN INCHES	DRAWN	
		TOLERANCES:	CHECKED	
		FRACTIONAL ±	ENG APPR.	
		ANGULAR: MACH ± BEND ±	MFG APPR.	
		TWO PLACE DECIMAL ±	Q.A.	
		THREE PLACE DECIMAL ±	COMMENTS:	
		INTERPRET GEOMETRIC TOLERANCING PER:		
		MATERIAL		
NEXT ASSY	USED ON	FINISH		
APPLICATION		DO NOT SCALE DRAWING		

ALUMINUM 0.125" PLATE

TITLE:  
 ALC-PST-MD-50W-144X4-TBR-CFA-27K

SIZE	DWG. NO.	REV
<b>A</b>		
SCALE: 1:6	WEIGHT:	SHEET 8 OF 11

5

4

3

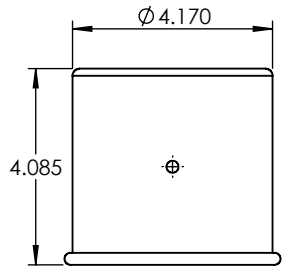
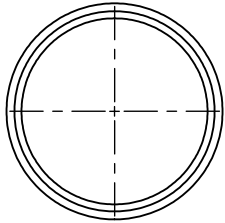
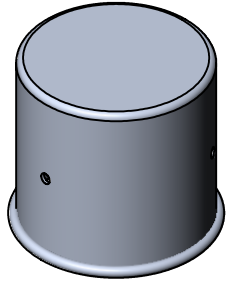
2

1



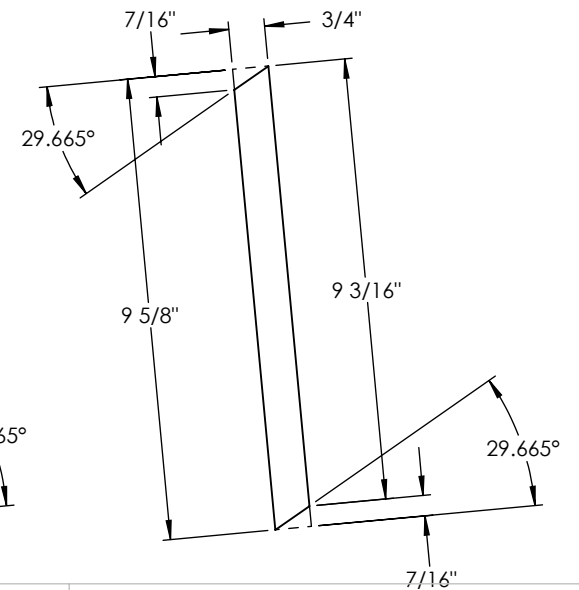
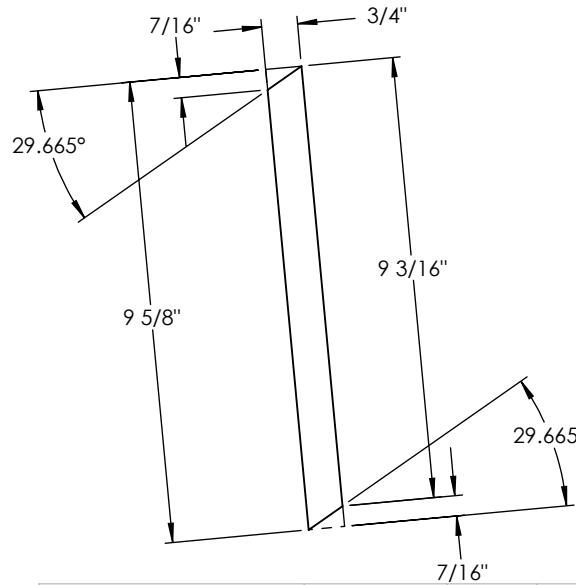
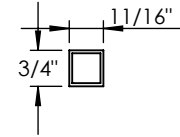
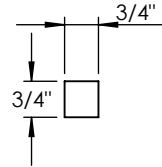
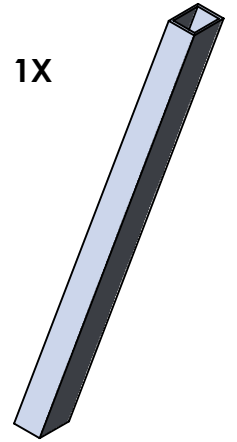
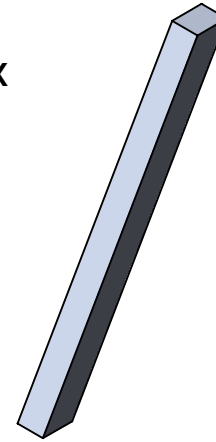
ITEM NO.	PART NUMBER	DESCRIPTION	QTY.
1	4" POST FITTER	POST FITTER	1

**1/8" ALUMINUM**



**3X**

**1X**



UNLESS OTHERWISE SPECIFIED:

DIMENSIONS ARE IN INCHES  
 TOLERANCES:  
 FRACTIONAL ±  
 ANGULAR: MACH ± BEND ±  
 TWO PLACE DECIMAL ±  
 THREE PLACE DECIMAL ±

INTERPRET GEOMETRIC  
 TOLERANCING PER:

MATERIAL

FINISH

DO NOT SCALE DRAWING

NAME DATE

DRAWN  
 CHECKED  
 ENG APPR.  
 MFG APPR.

Q.A.  
 COMMENTS:

**POST FITTER**

TITLE:

**ALC-PST-MD-50W-144X4-TBR-CFA-27K**

SIZE DWG. NO. REV

**A**

SCALE: 1:4 WEIGHT: SHEET 9 OF 11

**PROPRIETARY AND CONFIDENTIAL**  
 THE INFORMATION CONTAINED IN THIS  
 DRAWING IS THE SOLE PROPERTY OF  
 <INSERT COMPANY NAME HERE>. ANY  
 REPRODUCTION IN PART OR AS A WHOLE  
 WITHOUT THE WRITTEN PERMISSION OF  
 <INSERT COMPANY NAME HERE> IS  
 PROHIBITED.

NEXT ASSY	USED ON	APPLICATION
-----------	---------	-------------

5

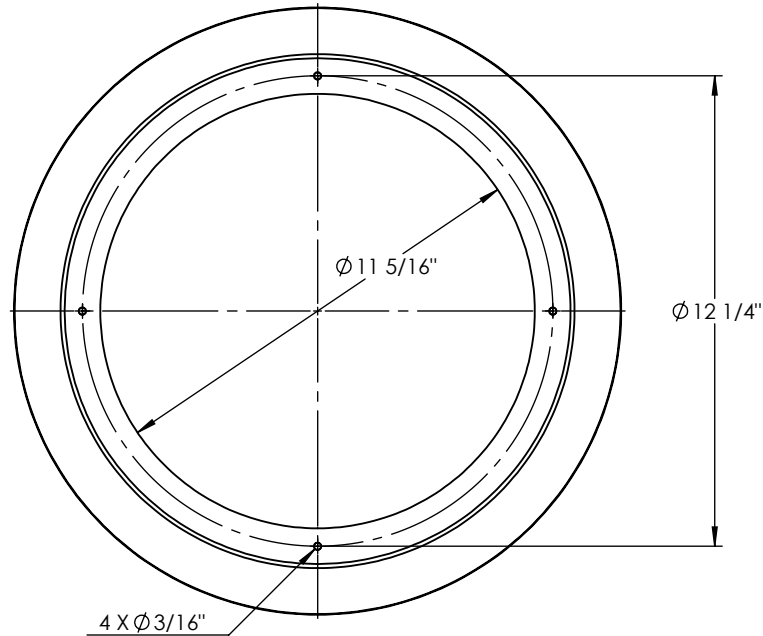
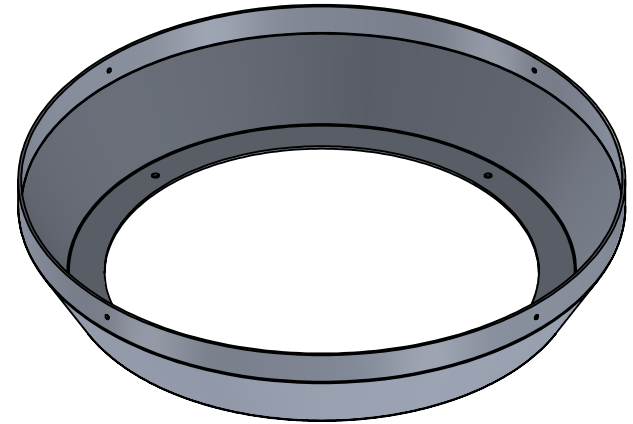
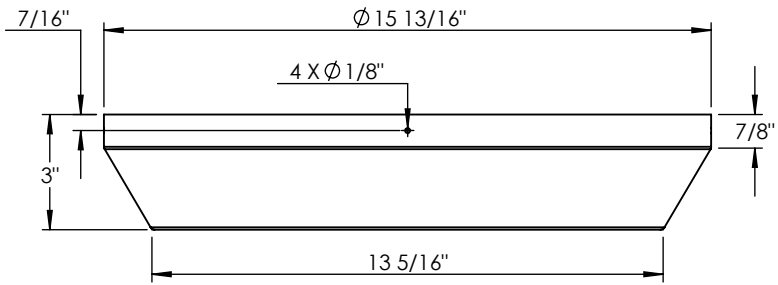
4

3

2

1

ITEM NO.	PART NUMBER	DESCRIPTION	QTY.
1	ALC-PST-MD-50W-144X4-TBR-CFA-27K-SPUN SEAT BOWL	SPUN ALUMINUM 0.080"	1

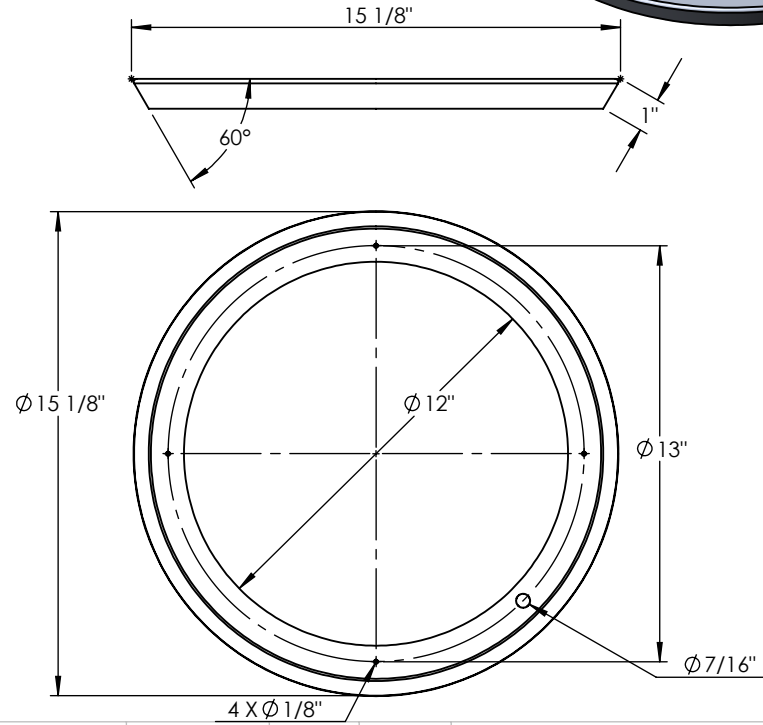
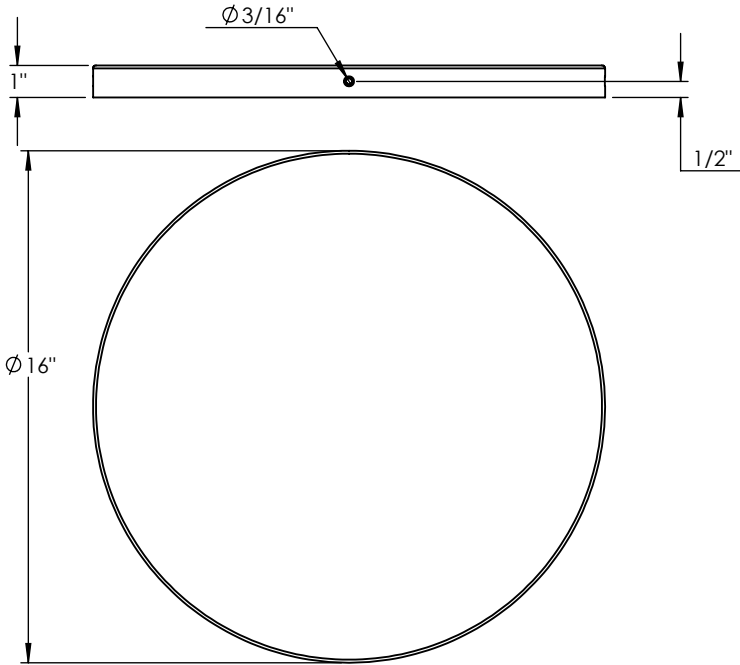
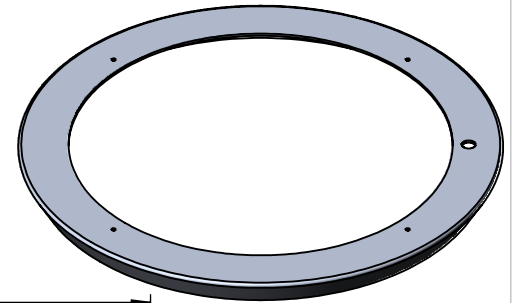
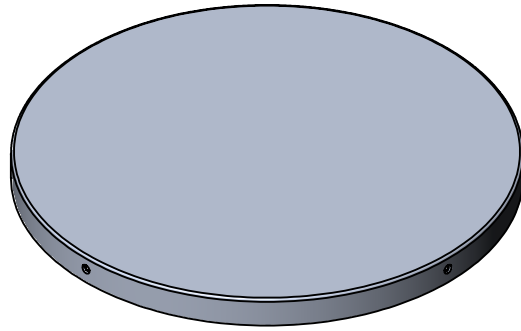


**PROPRIETARY AND CONFIDENTIAL**  
 THE INFORMATION CONTAINED IN THIS DRAWING IS THE SOLE PROPERTY OF <INSERT COMPANY NAME HERE>. ANY REPRODUCTION IN PART OR AS A WHOLE WITHOUT THE WRITTEN PERMISSION OF <INSERT COMPANY NAME HERE> IS PROHIBITED.

		UNLESS OTHERWISE SPECIFIED:		NAME	DATE	SPUN ALUMINUM 0.080"	
		DIMENSIONS ARE IN INCHES		DRAWN		TITLE:	
		TOLERANCES:		CHECKED		ALC-PST-MD-50W-144X4-TBR-CFA-27K	
		FRACTIONAL ±		ENG APPR.		SIZE DWG. NO. REV	
		ANGULAR: MACH ± BEND ±		MFG APPR.		SCALE: 1:13 WEIGHT: SHEET 10 OF 11	
		TWO PLACE DECIMAL ±		Q.A.			
		THREE PLACE DECIMAL ±		COMMENTS:			
		INTERPRET GEOMETRIC TOLERANCING PER:					
		MATERIAL					
		FINISH					
	NEXT ASSY	USED ON					
	APPLICATION	DO NOT SCALE DRAWING					

ITEM NO.	PART NUMBER	DESCRIPTION	QTY.
1	ALC-PST-MD-50W-144X4-TBR-CFA-27K-SPUN TOP COVER	SPUN ALUMINUM 0.080"	1

ITEM NO.	PART NUMBER	DESCRIPTION	QTY.
1	ALC-PST-MD-50W-144X4-TBR-CFA-27K-SPUN LED BRACKET	SPUN ALUMINUM 0.080"	1



**PROPRIETARY AND CONFIDENTIAL**  
 THE INFORMATION CONTAINED IN THIS DRAWING IS THE SOLE PROPERTY OF <INSERT COMPANY NAME HERE>. ANY REPRODUCTION IN PART OR AS A WHOLE WITHOUT THE WRITTEN PERMISSION OF <INSERT COMPANY NAME HERE> IS PROHIBITED.

		UNLESS OTHERWISE SPECIFIED:		NAME	DATE
		DIMENSIONS ARE IN INCHES			
		TOLERANCES:			
		FRACTIONAL ±			
		ANGULAR: MACH ± BEND ±			
		TWO PLACE DECIMAL ±			
		THREE PLACE DECIMAL ±			
		INTERPRET GEOMETRIC TOLERANCING PER:			
		MATERIAL			
		FINISH			
NEXT ASSY	USED ON				
APPLICATION		DO NOT SCALE DRAWING			

SPUN ALUMINUM 0.080"  
 TITLE:  
 ALC-PST-MD-50W-144X4-TBR-CFA-27K

SIZE	DWG. NO.	REV
<b>A</b>		
SCALE: 1:6	WEIGHT:	SHEET 11 OF 11