



**EVERGREEN
LIGHTING**

CEILING PENDANT MOUNT

PYR-DN-P-30L-MBK-WF-PHDIM-22X16-30K

SPECIFICATION FEATURES

Date
07-08-21

PROJECT:

SPECIFIER:

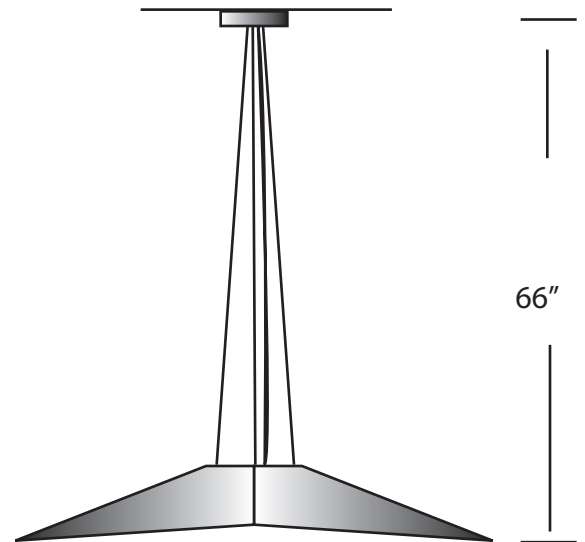
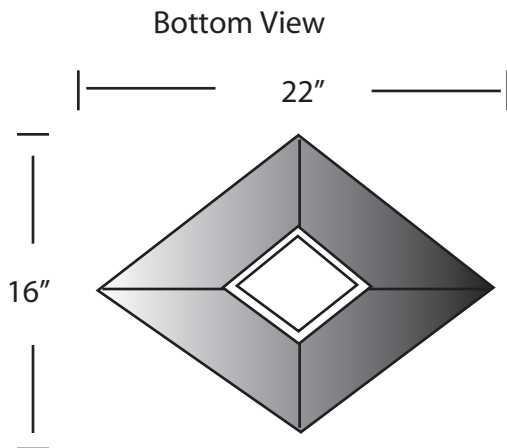
Dimensions	22" Long x 16" W x OAH 66"
Lamps	30 watts of LED -3000 K
Material	Aluminum
Finish	Matte Black / White inside
Lens	White Frosted acrylic
Label	Damp Location
Voltage	120
Description	Pendant



Matte Black outside
White powdercoat inside

3000K- 2,427 fixture Lumens
with 120 volt phase dimming

4- Aircraft cable and, 1-black cord



Down light only

EVERGREEN LIGHTING WWW.EVERGREENLIGHTING.COM
1379 Ridgeway St. Pomona, CA 91768 PHONE: (909) 865-5599 FAX: (909) 865-5539



MADE IN USA ● Information appearing hereon is proprietary and confidential and may not be used without the permission of Evergreen Lighting.

MADE IN USA