

ITEM NO.	PART NUMBER	DESCRIPTION	QTY.	CUT
1	8" SWIVEL CANOPY	SPUN ALUMINUM 0.080"	1	
2	PYR-DN-P-30L-MBK-WF-PHDIM-22X16-30K-PYRAMID	ALUMINUM 0.0635"	1	
3	PYR-DN-P-30L-MBK-WF-PHDIM-22X16-30K-PYRAMID CAP	ALUMINUM 0.0635"	1	
4	PYR-DN-P-30L-MBK-WF-PHDIM-22X16-30K-LED BRACKET	ALUMINUM 0.0635"	1	
5	PYR-DN-P-30L-MBK-WF-PHDIM-22X16-30K-PYRAMID CAP COVER	ALUMINUM 0.0635"	1	
6	PYR-DN-P-30L-MBK-WF-PHDIM-22X16-30K-DRIVER BRACKET	ALUMINUM 0.0635"	1	
7	PYR-DN-P-30L-MBK-WF-PHDIM-22X16-30K-WIRE	AIRCRAFT CABLE	1	
8	PYR-DN-P-30L-MBK-WF-PHDIM-22X16-30K-LENS	ACRYLIC	1	
9	.375 BRASS BALL	BRASS BALL	2	
10	HEAT SINK	HEAT SINK	4	
11	HATCH-LC22-0700P-120-D	DRIVER	2	
12	AItailed_PCND1500_110B-10 WATT	LED	4	

UNLESS OTHERWISE SPECIFIED:		NAME	DATE	TITLE:										
DIMENSIONS ARE IN INCHES TOLERANCES: FRACTIONAL ± .003 ANGULAR: MACH ± .01 BEND ± TWO PLACE DECIMAL ± THREE PLACE DECIMAL ±.001	DRAWN			PYR-DN-P-30L-MBK-WF-PHDIM-22X16-30K										
	CHECKED													
	ENG APPR.													
	MFG APPR.													
INTERPRET GEOMETRIC TOLERANCING PER:	Q.A.			<table border="1"> <tr> <td>SIZE</td> <td>DWG. NO.</td> <td>REV</td> </tr> <tr> <td>A</td> <td>TICKET 24669</td> <td></td> </tr> <tr> <td>SCALE: 1:7</td> <td>WEIGHT:</td> <td>SHEET 1 OF 7</td> </tr> </table>		SIZE	DWG. NO.	REV	A	TICKET 24669		SCALE: 1:7	WEIGHT:	SHEET 1 OF 7
SIZE	DWG. NO.	REV												
A	TICKET 24669													
SCALE: 1:7	WEIGHT:	SHEET 1 OF 7												
MATERIAL	COMMENTS:													
FINISH														

EVERGREEN LIGHTING

ALL BEND RADIUS .030"

APPLICATION

DO NOT SCALE DRAWING

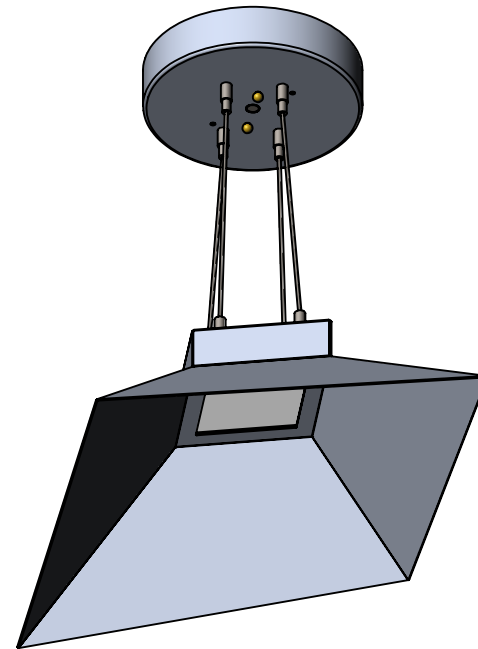
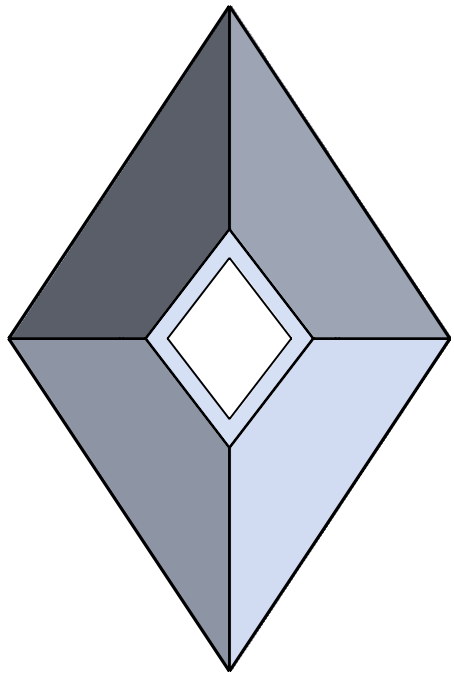
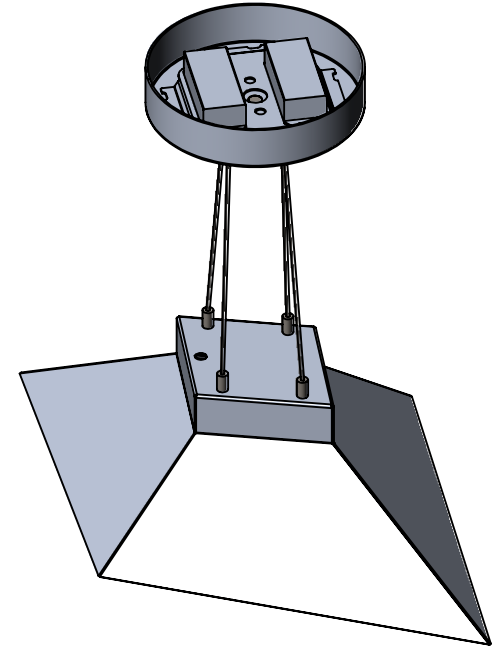
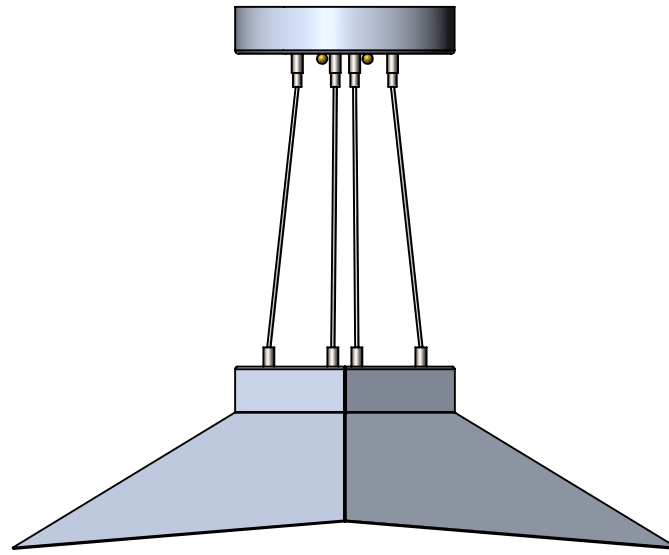
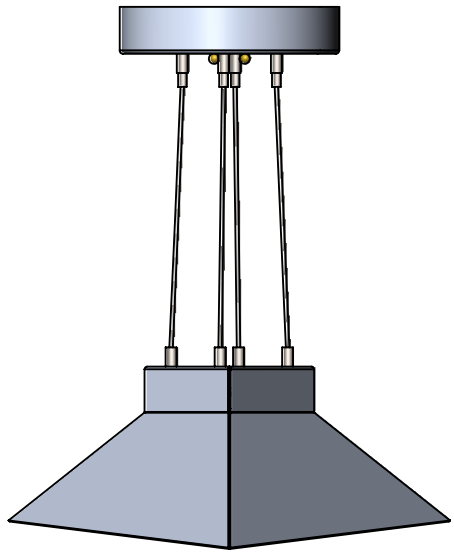
5

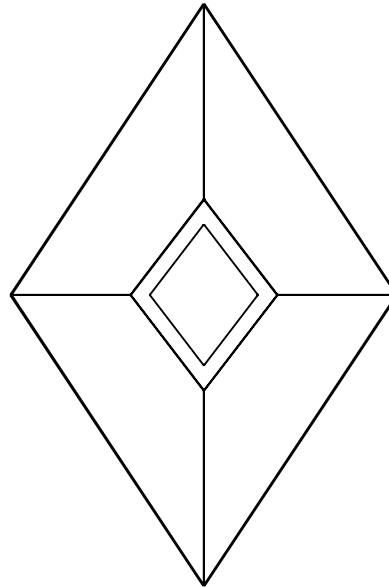
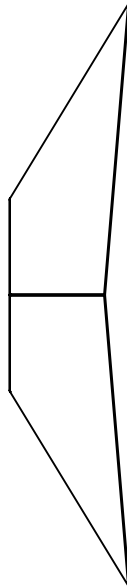
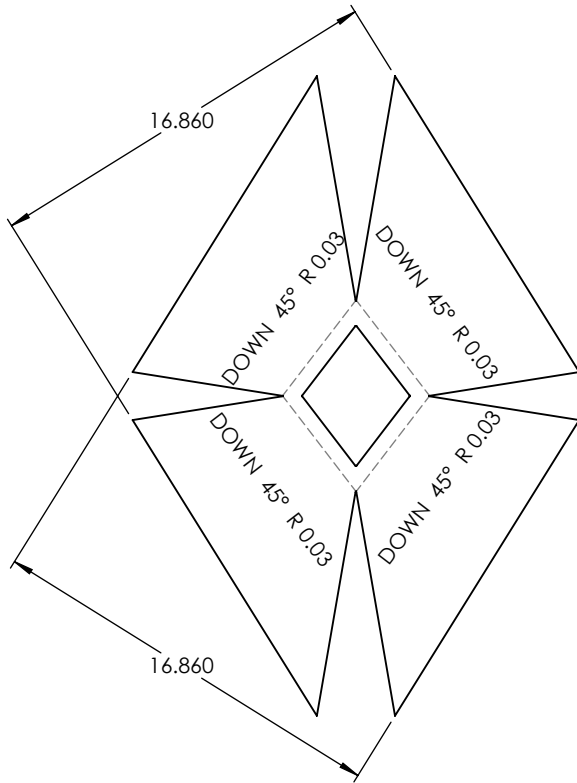
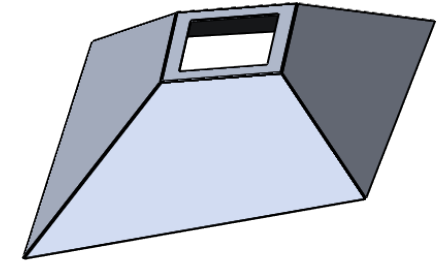
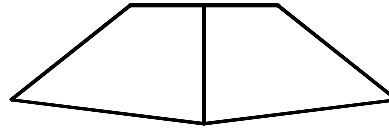
4

3

2

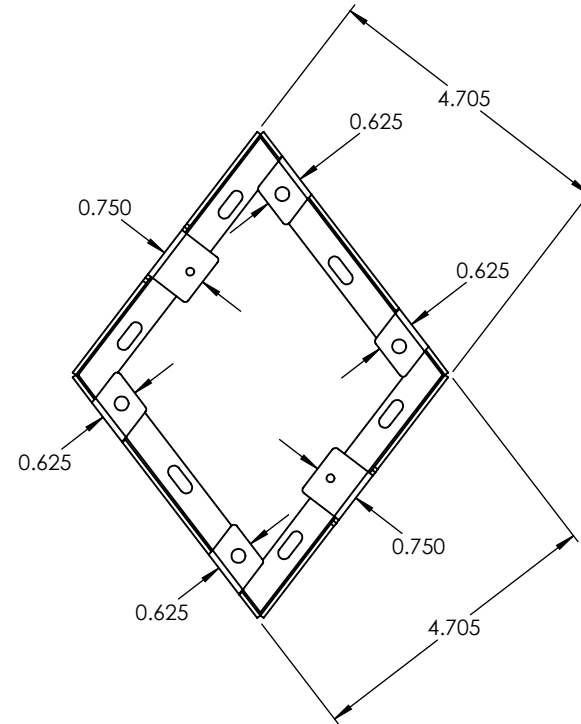
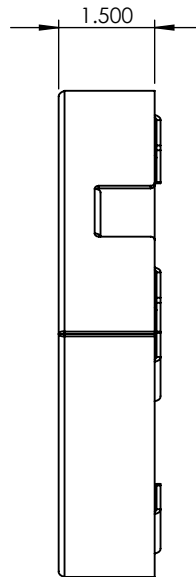
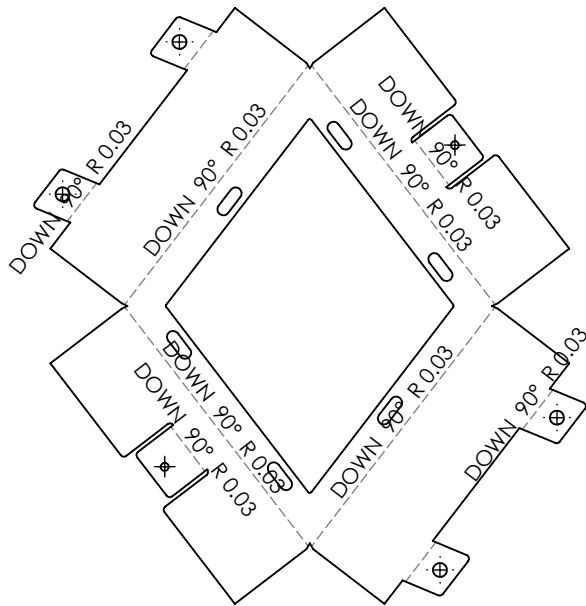
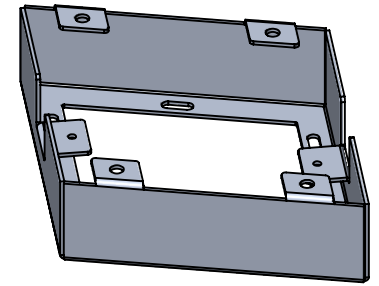
1





PROPRIETARY AND CONFIDENTIAL
 THE INFORMATION CONTAINED IN THIS DRAWING IS THE SOLE PROPERTY OF <INSERT COMPANY NAME HERE>. ANY REPRODUCTION IN PART OR AS A WHOLE WITHOUT THE WRITTEN PERMISSION OF <INSERT COMPANY NAME HERE> IS PROHIBITED.

		UNLESS OTHERWISE SPECIFIED:		NAME	DATE	ALUMINUM 0.0635"	
		DIMENSIONS ARE IN INCHES	DRAWN			TITLE:	
		TOLERANCES:	CHECKED			PYR-DN-P-30L-MBK-WF-PHDIM-22X16-30K	
		FRACTIONAL ±	ENG APPR.			SIZE	DWG. NO.
		ANGULAR: MACH ± BEND ±	MFG APPR.			A	REV
		TWO PLACE DECIMAL ±	Q.A.			SCALE: 1:8	WEIGHT:
		THREE PLACE DECIMAL ±	COMMENTS:				SHEET 3 OF 7
		INTERPRET GEOMETRIC TOLERANCING PER:					
		MATERIAL					
	NEXT ASSY	FINISH					
		USED ON					
	APPLICATION	DO NOT SCALE DRAWING					



PROPRIETARY AND CONFIDENTIAL
 THE INFORMATION CONTAINED IN THIS DRAWING IS THE SOLE PROPERTY OF <INSERT COMPANY NAME HERE>. ANY REPRODUCTION IN PART OR AS A WHOLE WITHOUT THE WRITTEN PERMISSION OF <INSERT COMPANY NAME HERE> IS PROHIBITED.

		UNLESS OTHERWISE SPECIFIED:		NAME	DATE	ALUMINUM 0.0635"		
		DIMENSIONS ARE IN INCHES		DRAWN		TITLE:		
		TOLERANCES:		CHECKED		PYR-DN-P-30L-MBK-WF-PHDIM-22X16-30K		
		FRACTIONAL ±		ENG APPR.		SIZE	DWG. NO.	REV
		ANGULAR: MACH ± BEND ±		MFG APPR.		A		
		TWO PLACE DECIMAL ±		Q.A.		SCALE: 1:3	WEIGHT:	SHEET 4 OF 7
		THREE PLACE DECIMAL ±		COMMENTS:				
		INTERPRET GEOMETRIC TOLERANCING PER:						
		MATERIAL						
	NEXT ASSY	USED ON	FINISH					
	APPLICATION		DO NOT SCALE DRAWING					

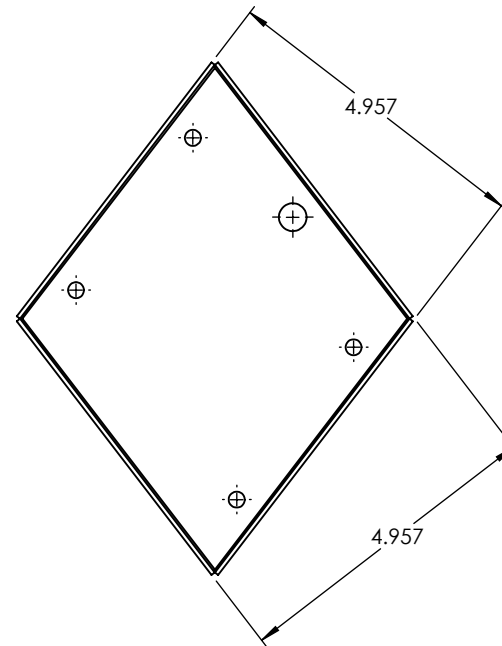
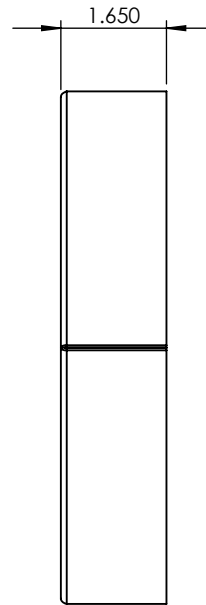
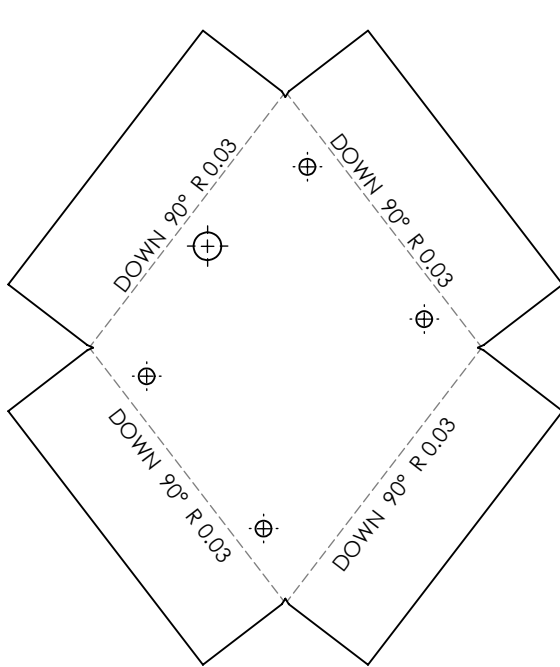
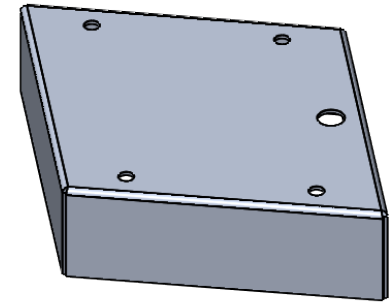
5

4

3

2

1



PROPRIETARY AND CONFIDENTIAL
 THE INFORMATION CONTAINED IN THIS DRAWING IS THE SOLE PROPERTY OF <INSERT COMPANY NAME HERE>. ANY REPRODUCTION IN PART OR AS A WHOLE WITHOUT THE WRITTEN PERMISSION OF <INSERT COMPANY NAME HERE> IS PROHIBITED.

		UNLESS OTHERWISE SPECIFIED:	NAME	DATE	ALUMINUM 0.0635"	
		DIMENSIONS ARE IN INCHES	DRAWN		TITLE:	
		TOLERANCES:	CHECKED		PYR-DN-P-30L-MBK-WF-PHDIM-22X16-30K	
		FRACTIONAL ±	ENG APPR.		SIZE	DWG. NO.
		ANGULAR: MACH ± BEND ±	MFG APPR.		A	REV
		TWO PLACE DECIMAL ±	Q.A.		SCALE: 1:3	WEIGHT:
		THREE PLACE DECIMAL ±	COMMENTS:		SHEET 5 OF 7	
		INTERPRET GEOMETRIC TOLERANCING PER:				
		MATERIAL				
NEXT ASSY	USED ON	FINISH				
APPLICATION		DO NOT SCALE DRAWING				

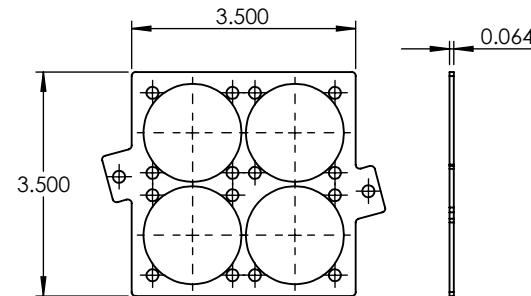
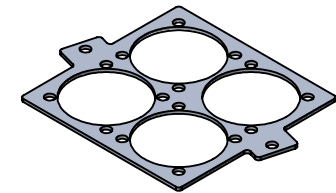
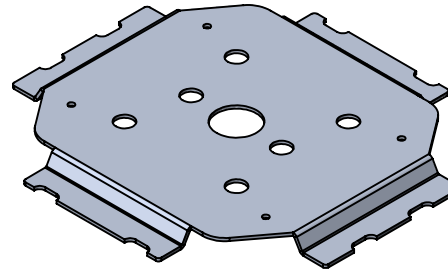
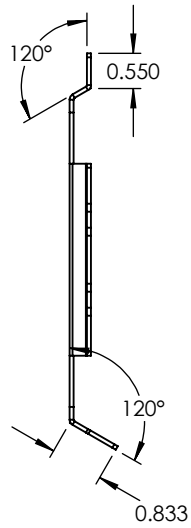
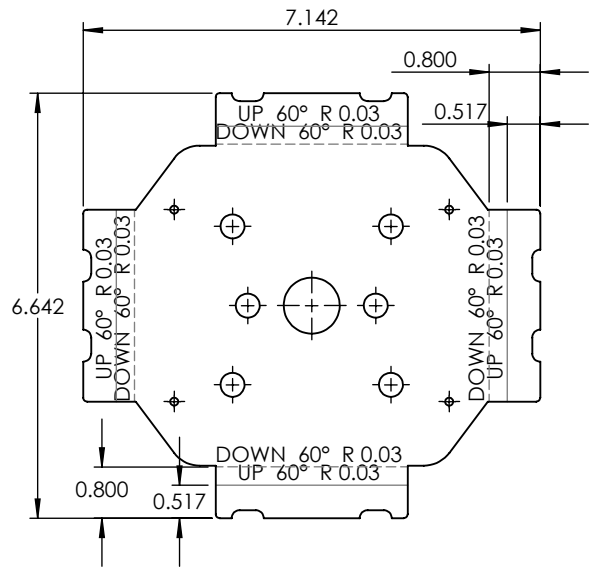
5

4

3

2

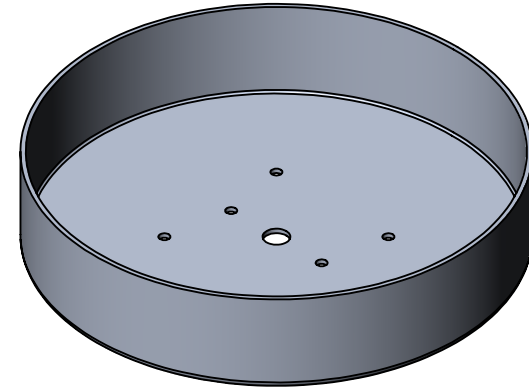
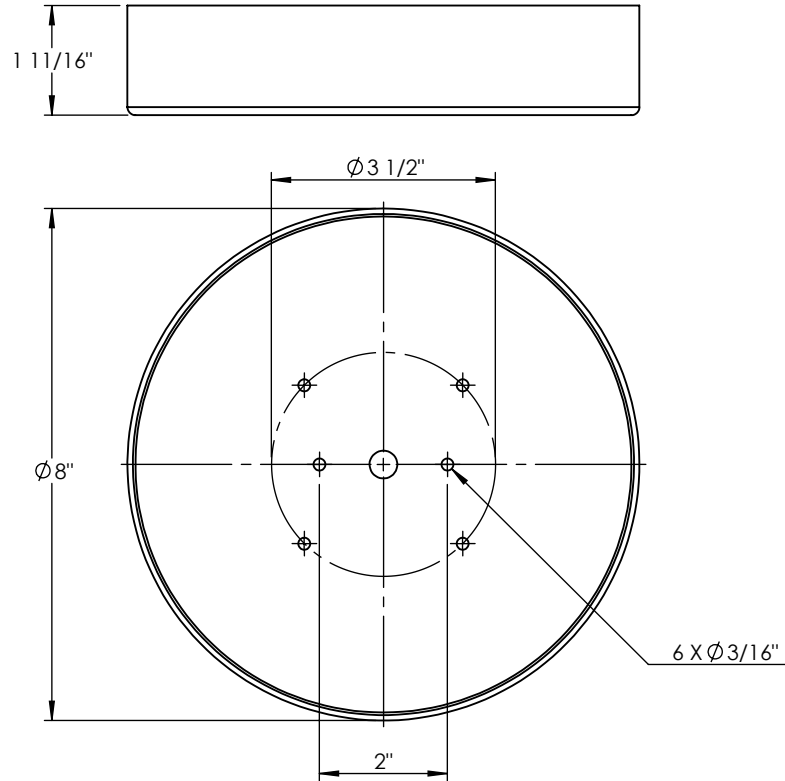
1



PROPRIETARY AND CONFIDENTIAL
 THE INFORMATION CONTAINED IN THIS DRAWING IS THE SOLE PROPERTY OF <INSERT COMPANY NAME HERE>. ANY REPRODUCTION IN PART OR AS A WHOLE WITHOUT THE WRITTEN PERMISSION OF <INSERT COMPANY NAME HERE> IS PROHIBITED.

		UNLESS OTHERWISE SPECIFIED:	NAME	DATE	ALUMINUM 0.0635"	
		DIMENSIONS ARE IN INCHES TOLERANCES: FRACTIONAL ± ANGULAR: MACH ± BEND ± TWO PLACE DECIMAL ± THREE PLACE DECIMAL ±	DRAWN		TITLE:	
		INTERPRET GEOMETRIC TOLERANCING PER:	CHECKED		PYR-DN-P-30L-MBK-WF-PHDIM-22X16-30K	
		MATERIAL	ENG APPR.		SIZE DWG. NO. REV	
NEXT ASSY	USED ON	FINISH	MFG APPR.		A	
APPLICATION		DO NOT SCALE DRAWING	Q.A.		SCALE: 1:3	WEIGHT:
			COMMENTS:		SHEET 6 OF 7	

ITEM NO.	PART NUMBER	DESCRIPTION	QTY.
1	8" SWIVEL CANOPY	SPUN ALUMINUM 0.080"	1



PROPRIETARY AND CONFIDENTIAL
 THE INFORMATION CONTAINED IN THIS DRAWING IS THE SOLE PROPERTY OF <INSERT COMPANY NAME HERE>. ANY REPRODUCTION IN PART OR AS A WHOLE WITHOUT THE WRITTEN PERMISSION OF <INSERT COMPANY NAME HERE> IS PROHIBITED.

		UNLESS OTHERWISE SPECIFIED:		NAME	DATE	SPUN ALUMINUM 0.080"	
		DIMENSIONS ARE IN INCHES		DRAWN		TITLE:	
		TOLERANCES:		CHECKED		PYR-DN-P-30L-MBK-WF-PHDIM-22X16-30K	
		FRACTIONAL ±		ENG APPR.		SIZE	DWG. NO.
		ANGULAR: MACH ± BEND ±		MFG APPR.		A	REV
		TWO PLACE DECIMAL ±		Q.A.		SCALE: 1:3	WEIGHT:
		THREE PLACE DECIMAL ±		COMMENTS:			SHEET 7 OF 7
NEXT ASSY	USED ON	INTERPRET GEOMETRIC TOLERANCING PER:					
		MATERIAL					
		FINISH					
APPLICATION		DO NOT SCALE DRAWING					