



**EVERGREEN
LIGHTING**

Custom Bollard

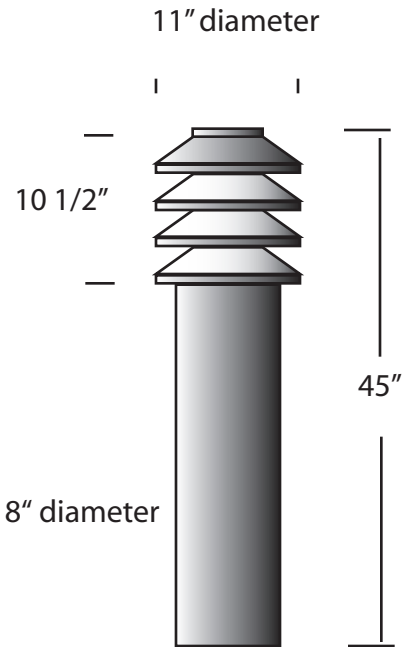
BOL-45X11LV-30L-MBK-CA-30K

SPECIFICATION FEATURES		Date 08-15-19
Dimensions	45" high x 11" diameter	
Lamps	30 watts of LED- 3000 Kelvin	
Material	Aluminum	
Finish	Matte Black powdercoat	
Lens	Clear Acrylic	
Label	WET Location	
Voltage	120 / 277	
Description	Anchor base bollard 360 degree	

PROJECT:

SPECIFIER:

3,100 fixture lumens
360 degree downward angled illumination



Anchor base kit and bolts included

Concept drawings are not to scale.

EVERGREEN LIGHTING WWW.EVERGREENLIGHTING.COM
1379 Ridgeway St. Pomona, CA 91768 PHONE: (909) 865-5599 FAX: (909) 865-5539



MADE IN USA ● Information appearing hereon is proprietary and confidential and may not be used without the permission of Evergreen Lighting.

MADE IN USA