

UNLESS OTHERWISE SPECIFIED:

DIMENSIONS ARE IN INCHES
 TOLERANCES:
 FRACTIONAL ± .003
 ANGULAR: MACH ± .01 BEND ±
 TWO PLACE DECIMAL ±
 THREE PLACE DECIMAL ± .001

INTERPRET GEOMETRIC
 TOLERANCING PER:

MATERIAL

FINISH

DO NOT SCALE DRAWING

	NAME	DATE
DRAWN		
CHECKED		
ENG APPR.		
MFG APPR.		
Q.A.		
COMMENTS:		

TITLE:		
BOL-45X11LV-30L-MBK-CA-30K		
SIZE	DWG. NO.	REV
A	TICKET 24760	
SCALE: 1:8	WEIGHT:	SHEET 1 OF 11



ALL BEND RADIUS .030"

5

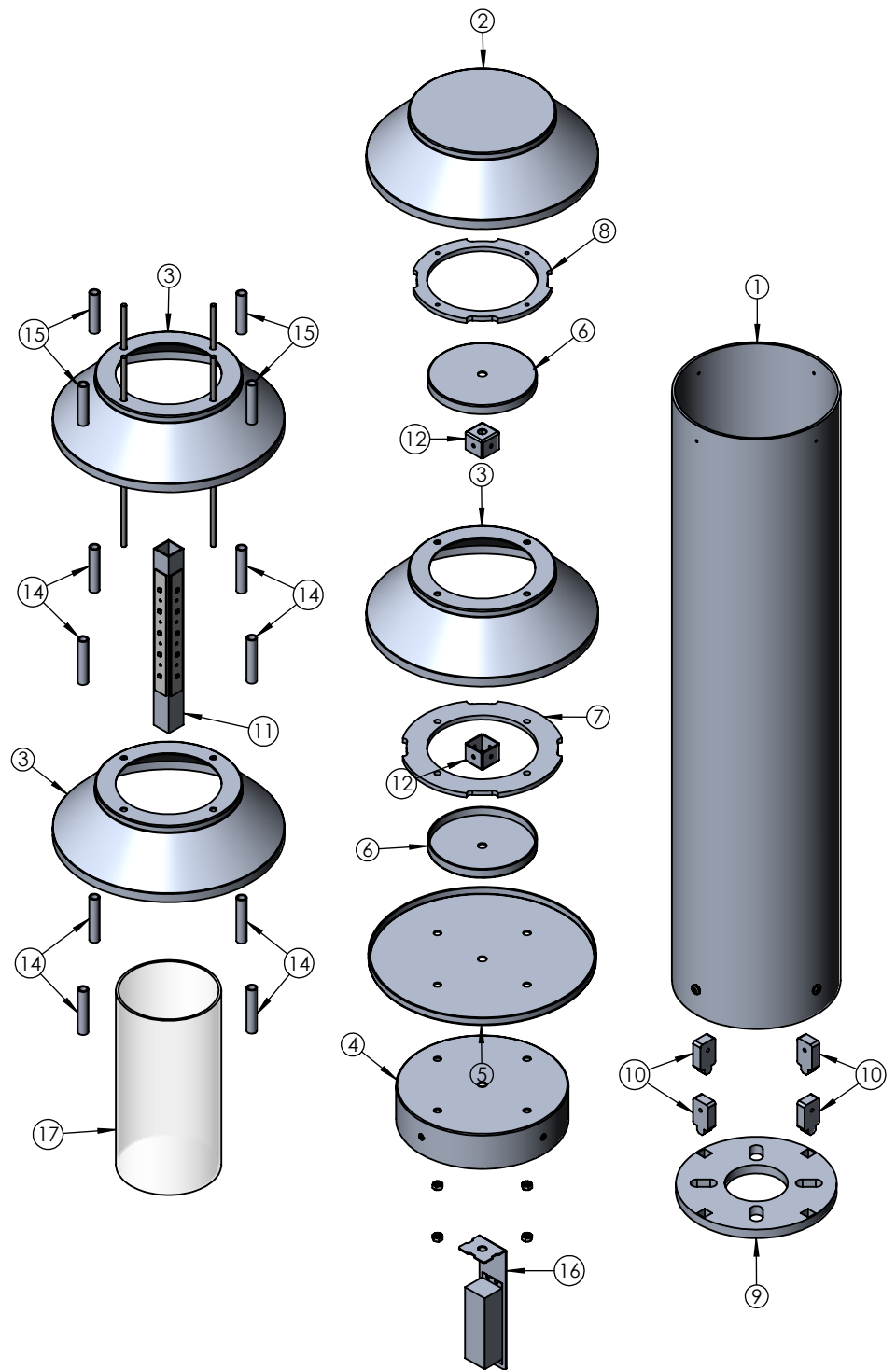
4

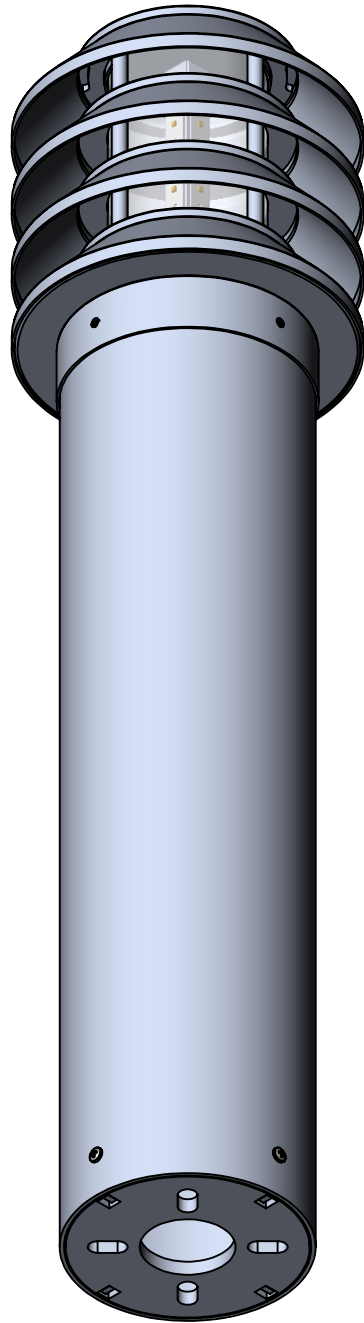
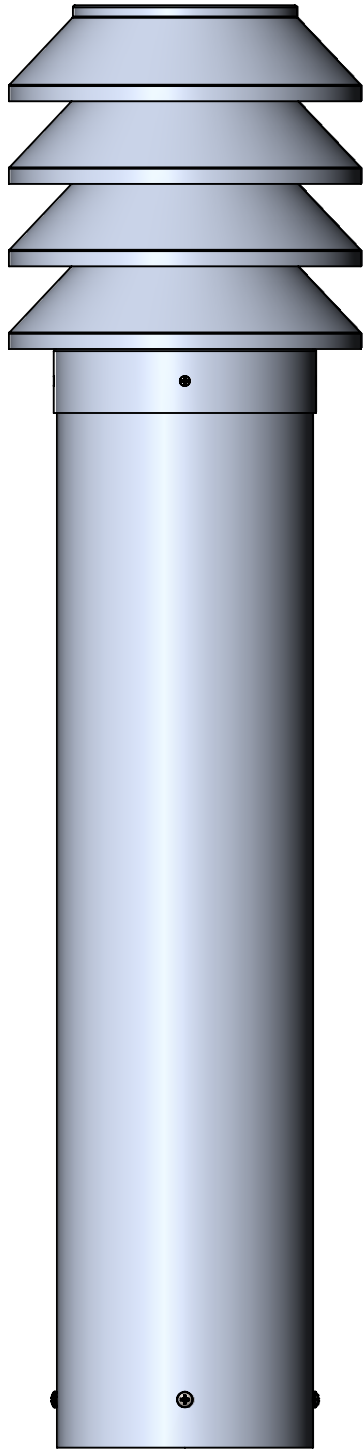
3

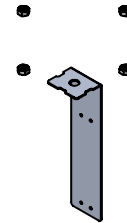
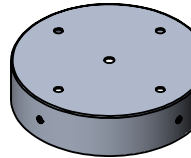
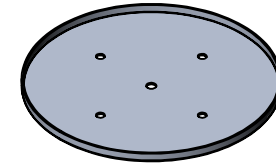
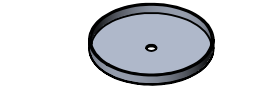
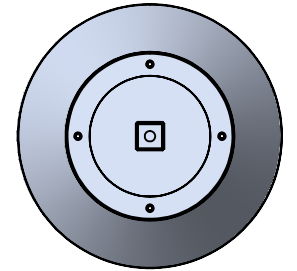
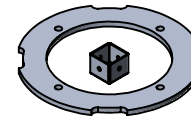
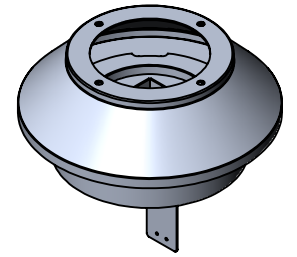
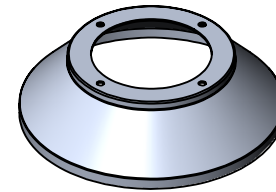
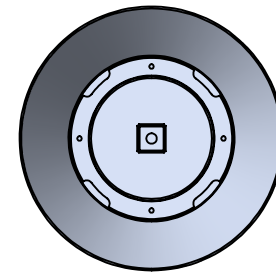
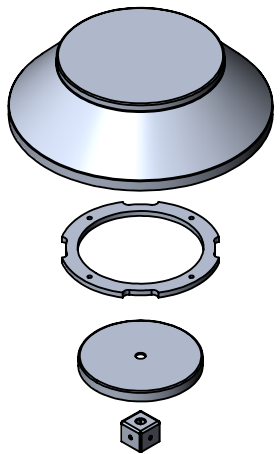
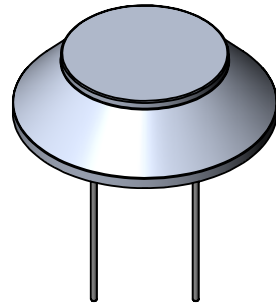
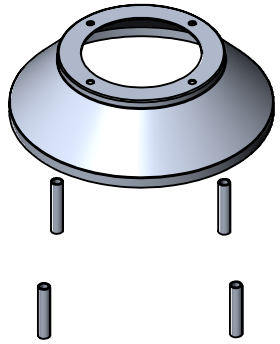
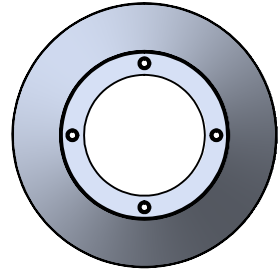
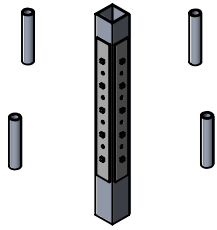
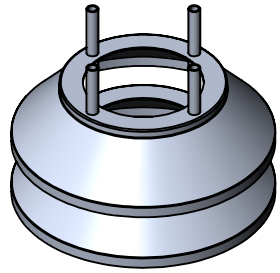
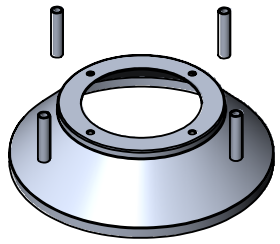
2

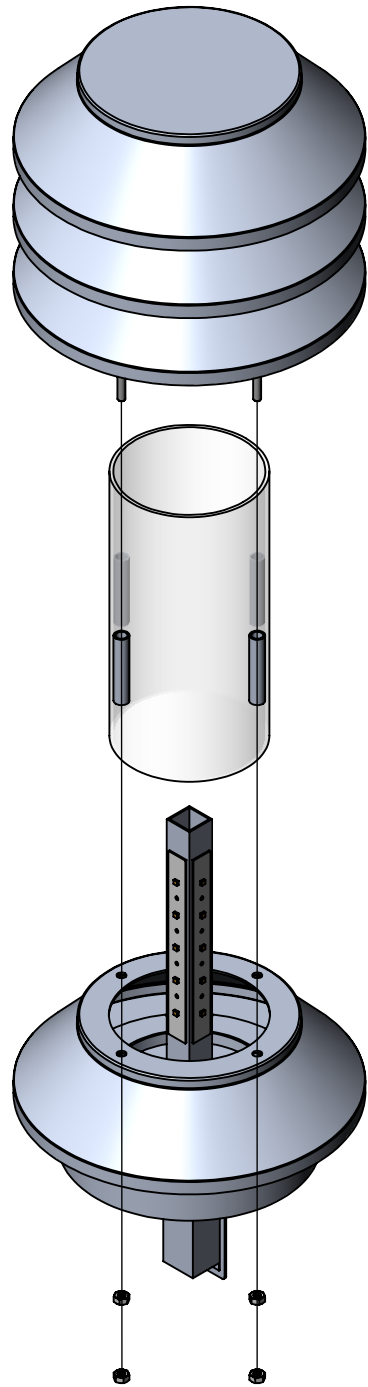
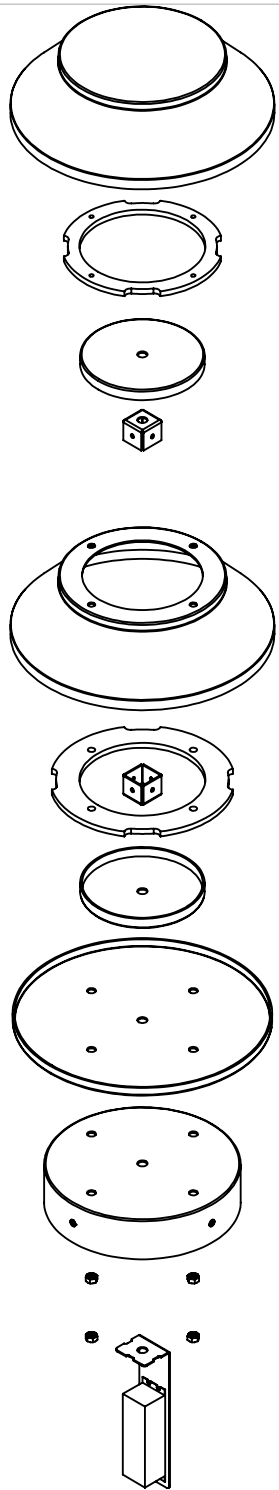
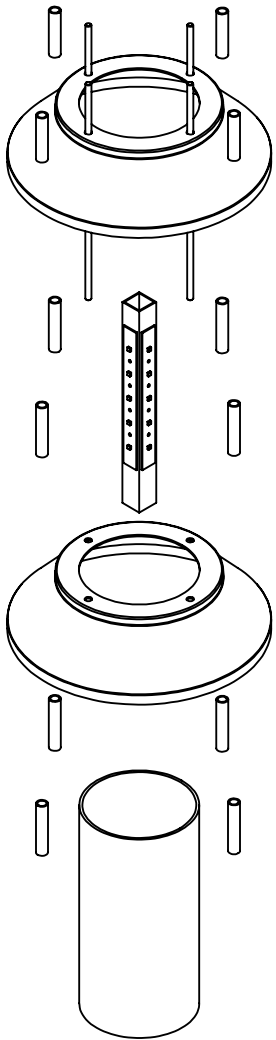
1

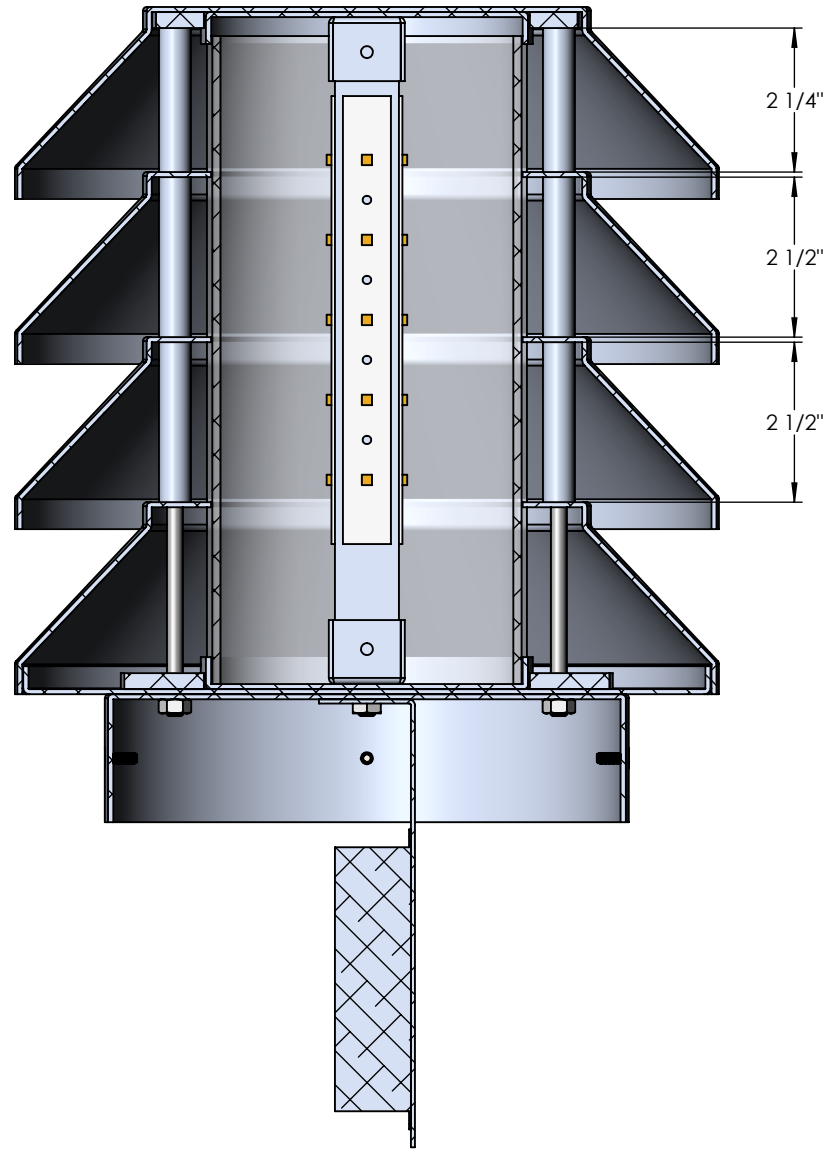
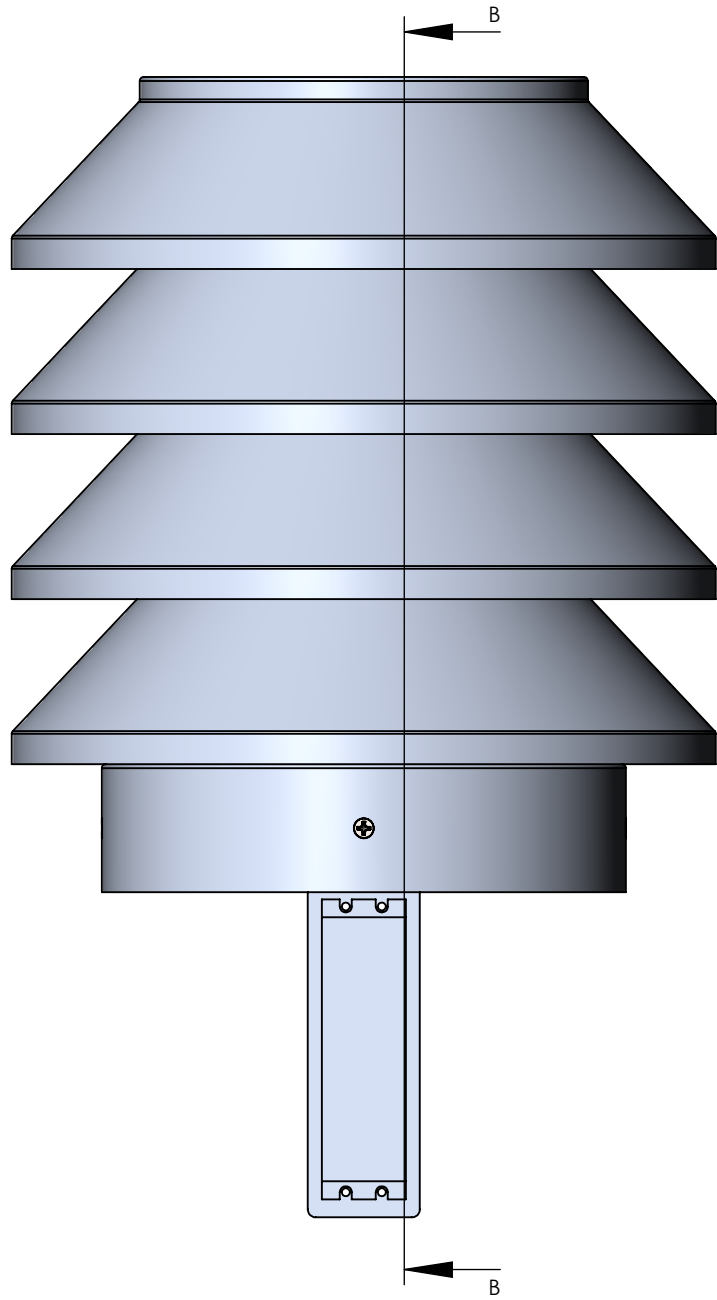
ITEM NO.	PART NUMBER	DESCRIPTION	QTY.	CUT
1	BOL-45X11LV-30L-MBK-CA-30K-8" CYLINDER	8" ALUMINUM CYLINDER	1	
2	BOL-45X11LV-30L-MBK-CA-30K-COVER LOUVER	SPUN ALUMINUM 0.080"	1	
3	BOL-45X11LV-30L-MBK-CA-30K-REFLECTOR LOUVER	SPUN ALUMINUM 0.080"	3	
4	BOL-45X11LV-30L-MBK-CA-30K-CYLINDER FITTER	SPUN ALUMINUM 0.080"	1	
5	BOL-45X11LV-30L-MBK-CA-30K-SPUN TOP FITTER	SPUN ALUMINUM 0.080"	1	
6	BOL-45X11LV-30L-MBK-CA-30K-ACRYLIC FITTER	SPUN ALUMINUM 0.080"	2	
7	BOL-45X11LV-30L-MBK-CA-30K-TUBE FLANGE	ALUMINUM 0.250" PLATE	1	
8	BOL-45X11LV-30L-MBK-CA-30K-LOUVER BRACKET	ALUMINUM 0.250" PLATE	1	
9	BOL-45X11LV-30L-MBK-CA-30K-ROUND ANCHOR PLATE	ALUMINUM 0.500" PLATE	1	
10	BOL-45X11LV-30L-MBK-CA-30K-ROUND ANCHOR TAB	ALUMINUM 0.500" PLATE	4	
11	BOL-45X11LV-30L-MBK-CA-30K-SQUARE TUBE	1" SQUARE ALUMINUM TUBE	1	
12	BOL-45X11LV-30L-MBK-CA-30K-TUBE BRACKET	ALUMINUM 0.0635"	2	
13	BOL-45X11LV-30L-MBK-CA-30K-THREADED ROD	1/4" THREADED ROD	4	
14	BOL-45X11LV-30L-MBK-CA-30K-0.5" REFLECTOR SPACER	3/8" ALUMINUM CYLINDER	8	
15	BOL-45X11LV-30L-MBK-CA-30K-0.5" REFLECTOR SPACER	3/8" ALUMINUM CYLINDER	4	
16	BOL-45X11LV-30L-MBK-CA-30K-DRIVER BRACKET	ALUMINUM 0.0635"	1	
17	BOL-45X11LV-30L-MBK-CA-30K-TUBE ACRYLIC	ACRYLIC SLEEVE	1	
18	ESPEN VEL29070MVH-1	DRIVER	1	
19	AltLED PN1010_RevD	LED	4	



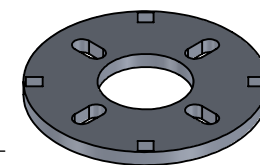
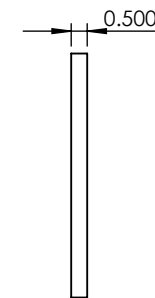
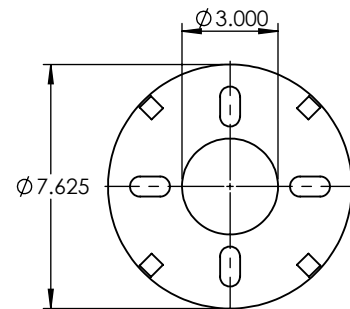
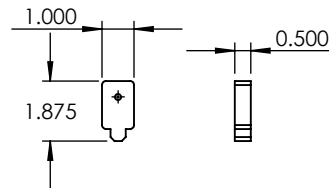
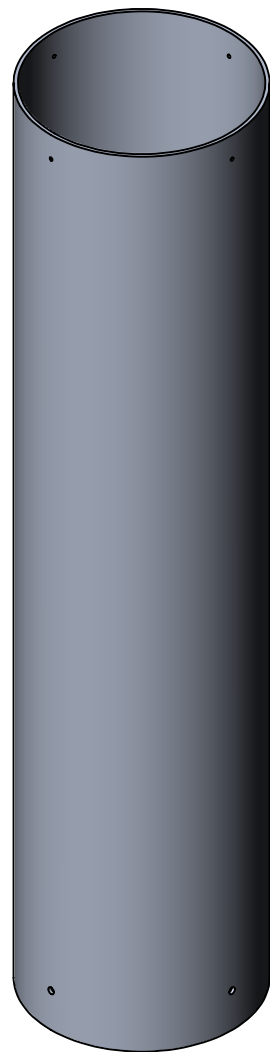
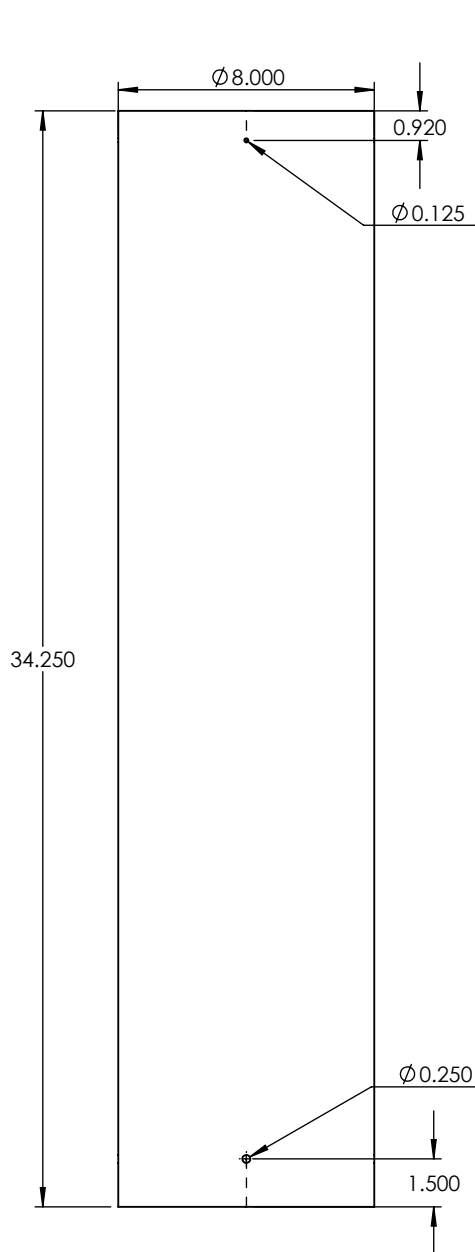








SECTION B-B



PROPRIETARY AND CONFIDENTIAL
 THE INFORMATION CONTAINED IN THIS DRAWING IS THE SOLE PROPERTY OF <INSERT COMPANY NAME HERE>. ANY REPRODUCTION IN PART OR AS A WHOLE WITHOUT THE WRITTEN PERMISSION OF <INSERT COMPANY NAME HERE> IS PROHIBITED.

		UNLESS OTHERWISE SPECIFIED:	NAME	DATE
		DIMENSIONS ARE IN INCHES	DRAWN	
		TOLERANCES:	CHECKED	
		FRACTIONAL ±	ENG APPR.	
		ANGULAR: MACH ± BEND ±	MFG APPR.	
		TWO PLACE DECIMAL ±	Q.A.	
		THREE PLACE DECIMAL ±	COMMENTS:	
		INTERPRET GEOMETRIC TOLERANCING PER:		
		MATERIAL		
NEXT ASSY	USED ON	FINISH		
APPLICATION		DO NOT SCALE DRAWING		

8" ALUMINUM CYLINDER		
TITLE:		
BOL-45X11LV-30L-MBK-CA-30K		
SIZE	DWG. NO.	REV
A		
SCALE: 1:6	WEIGHT:	SHEET 7 OF 11

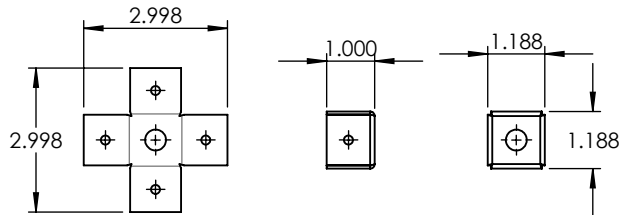
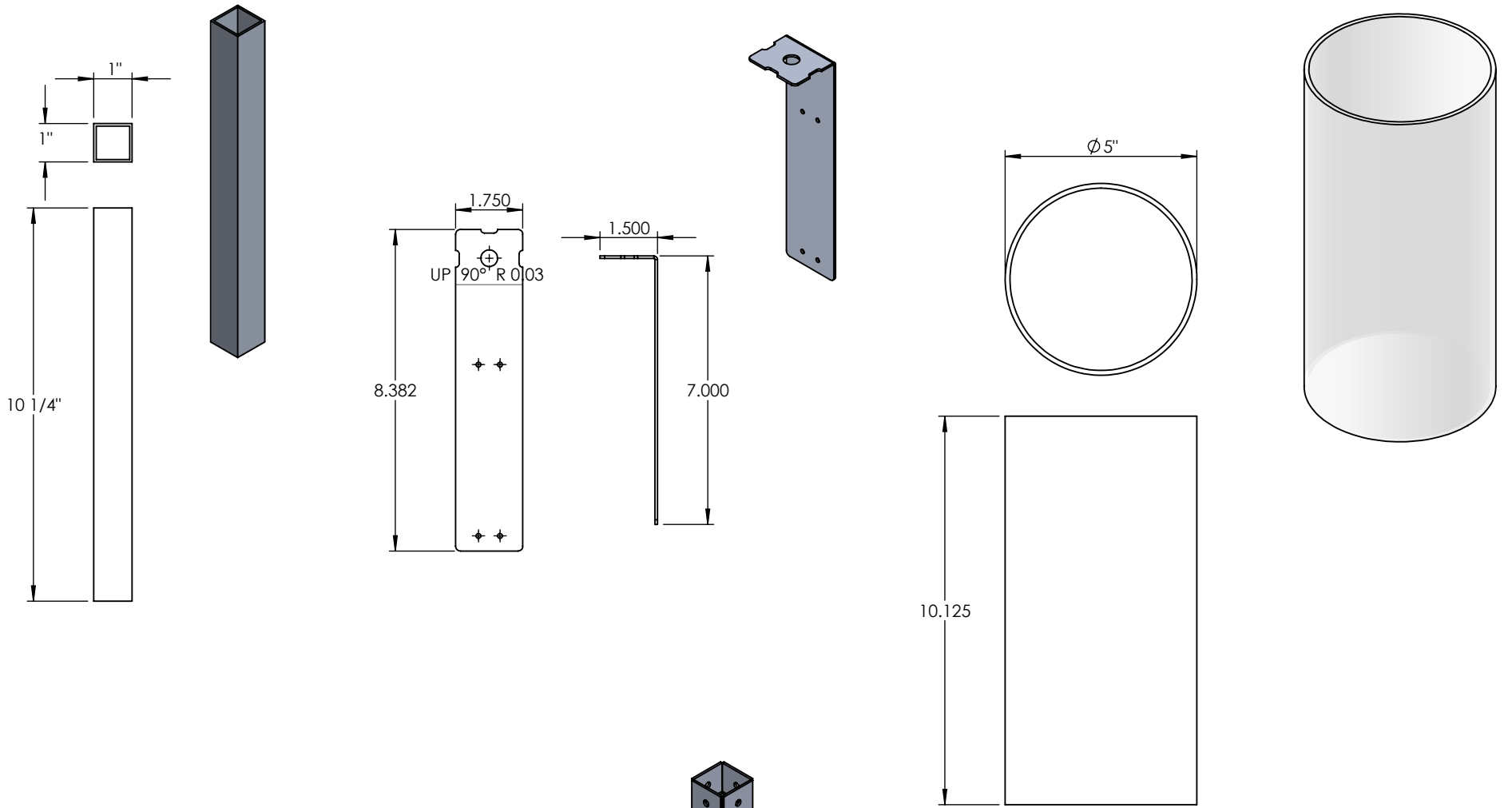
5

4

3

2

1



UNLESS OTHERWISE SPECIFIED:
 DIMENSIONS ARE IN INCHES
 TOLERANCES:
 FRACTIONAL ±
 ANGULAR: MACH ± BEND ±
 TWO PLACE DECIMAL ±
 THREE PLACE DECIMAL ±

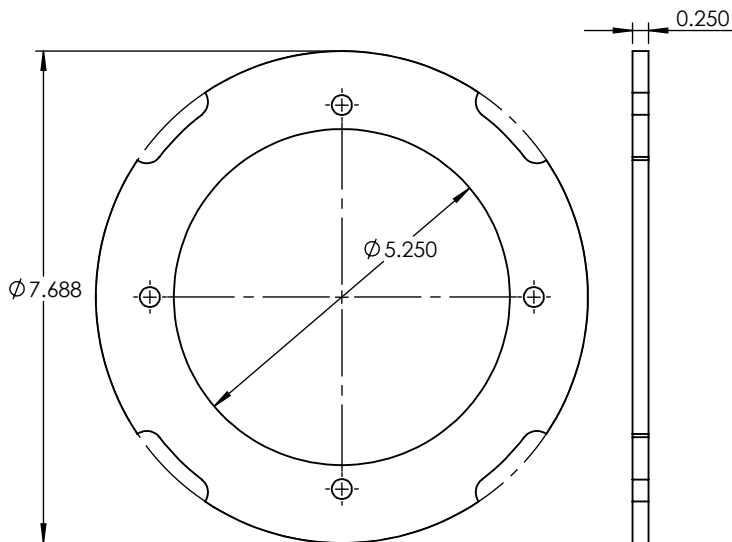
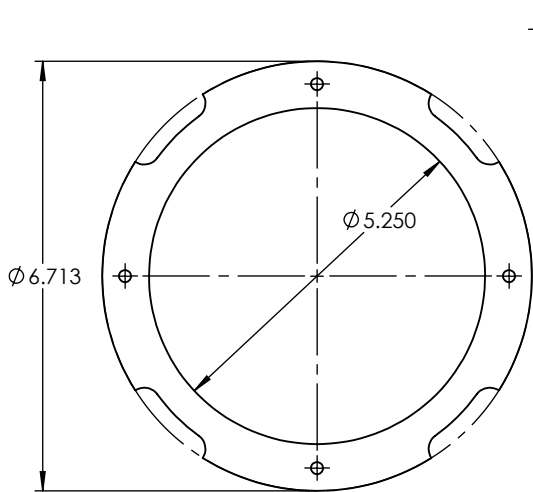
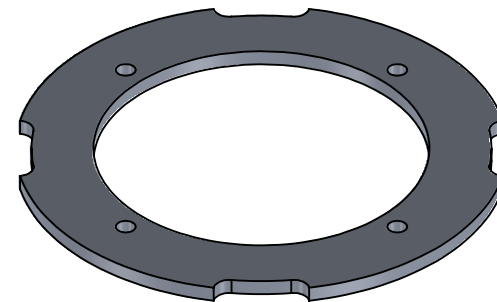
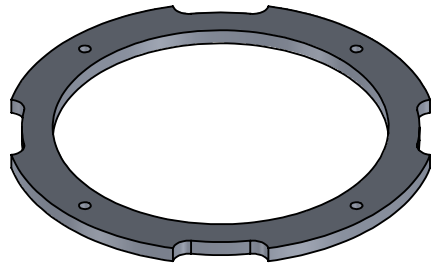
INTERPRET GEOMETRIC TOLERANCING PER:
 MATERIAL
 FINISH
 DO NOT SCALE DRAWING

	NAME	DATE
DRAWN		
CHECKED		
ENG APPR.		
MFG APPR.		
Q.A.		
COMMENTS:		

1" SQUARE ALUMINUM TUBE		
TITLE:		
BOL-45X11LV-30L-MBK-CA-30K		
SIZE	DWG. NO.	REV
A		
SCALE: 1:4	WEIGHT:	SHEET 8 OF 11

PROPRIETARY AND CONFIDENTIAL
 THE INFORMATION CONTAINED IN THIS DRAWING IS THE SOLE PROPERTY OF <INSERT COMPANY NAME HERE>. ANY REPRODUCTION IN PART OR AS A WHOLE WITHOUT THE WRITTEN PERMISSION OF <INSERT COMPANY NAME HERE> IS PROHIBITED.

NEXT ASSY	USED ON
APPLICATION	

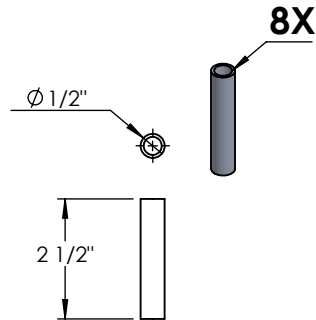
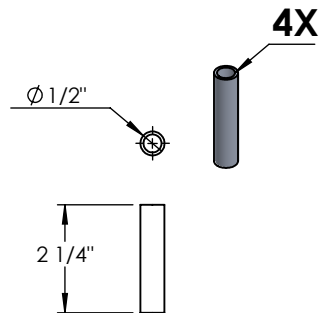
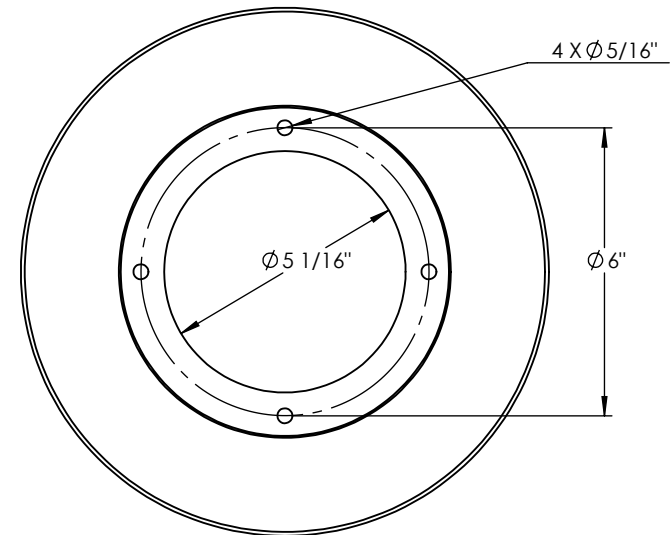
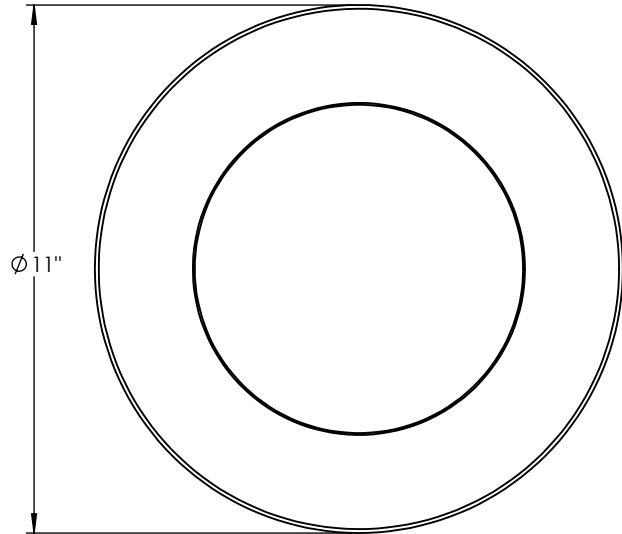
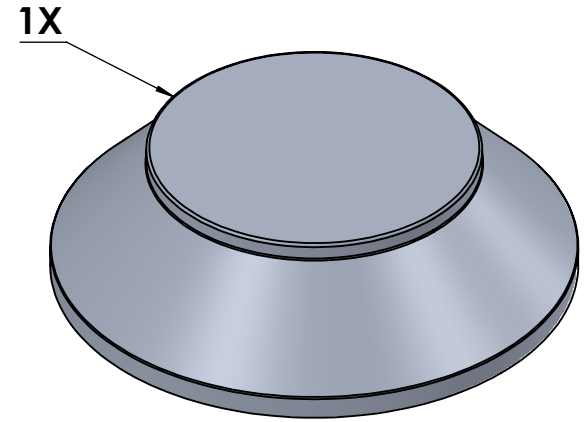
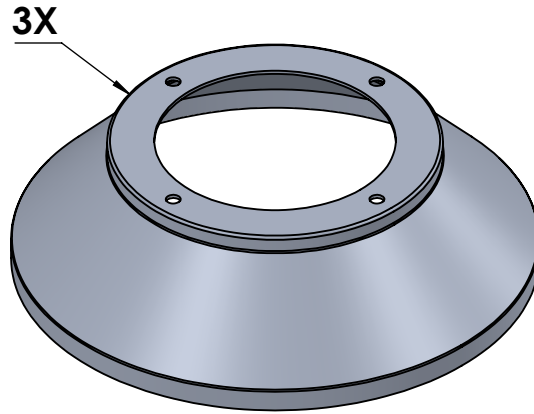
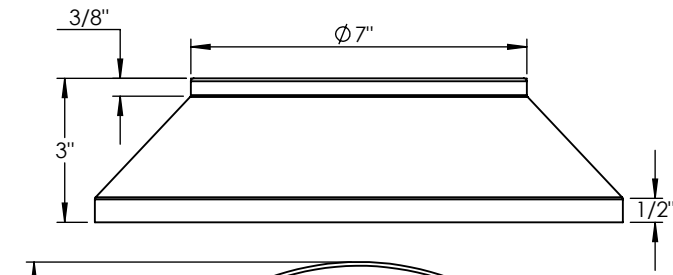


PROPRIETARY AND CONFIDENTIAL
 THE INFORMATION CONTAINED IN THIS DRAWING IS THE SOLE PROPERTY OF <INSERT COMPANY NAME HERE>. ANY REPRODUCTION IN PART OR AS A WHOLE WITHOUT THE WRITTEN PERMISSION OF <INSERT COMPANY NAME HERE> IS PROHIBITED.

		UNLESS OTHERWISE SPECIFIED:		NAME	DATE
		DIMENSIONS ARE IN INCHES	DRAWN		
		TOLERANCES:	CHECKED		
		FRACTIONAL ±	ENG APPR.		
		ANGULAR: MACH ± BEND ±	MFG APPR.		
		TWO PLACE DECIMAL ±	Q.A.		
		THREE PLACE DECIMAL ±	COMMENTS:		
		INTERPRET GEOMETRIC TOLERANCING PER:			
		MATERIAL			
NEXT ASSY	USED ON	FINISH			
APPLICATION		DO NOT SCALE DRAWING			

ALUMINUM 0.250" PLATE		
TITLE:		
BOL-45X11LV-30L-MBK-CA-30K		
SIZE	DWG. NO.	REV
A		
SCALE: 1:3	WEIGHT:	SHEET 9 OF 11

ITEM NO.	PART NUMBER	DESCRIPTION	QTY.
1	BOL-45X11LV-30L-MBK-CA-30K-SPUN CAP FITTER	SPUN ALUMINUM 0.080"	1



UNLESS OTHERWISE SPECIFIED:		NAME	DATE	SPUN ALUMINUM 0.080"	
DIMENSIONS ARE IN INCHES		DRAWN		TITLE:	
TOLERANCES:		CHECKED		BOL-45X11LV-30L-MBK-CA-30K	
FRACTIONAL ±		ENG APPR.		SIZE DWG. NO. REV	
ANGULAR: MACH ± BEND ±		MFG APPR.		A	
TWO PLACE DECIMAL ±		Q.A.		SCALE: 1:4 WEIGHT: SHEET 10 OF 11	
THREE PLACE DECIMAL ±		COMMENTS:			
INTERPRET GEOMETRIC TOLERANCING PER:					
MATERIAL					
FINISH					
APPLICATION					
DO NOT SCALE DRAWING					

PROPRIETARY AND CONFIDENTIAL
 THE INFORMATION CONTAINED IN THIS DRAWING IS THE SOLE PROPERTY OF <INSERT COMPANY NAME HERE>. ANY REPRODUCTION IN PART OR AS A WHOLE WITHOUT THE WRITTEN PERMISSION OF <INSERT COMPANY NAME HERE> IS PROHIBITED.

5

4

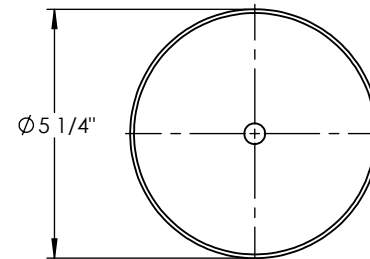
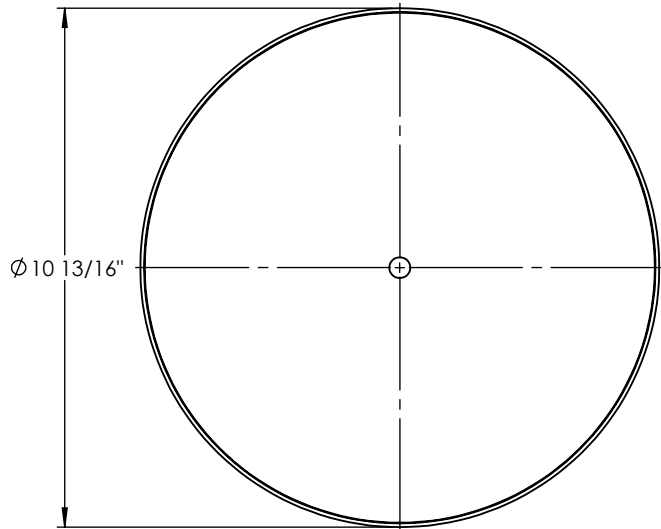
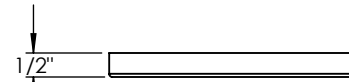
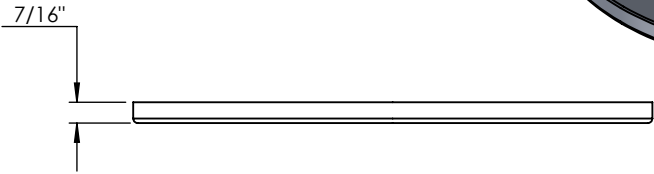
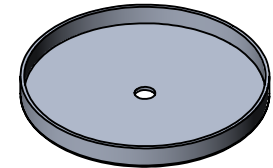
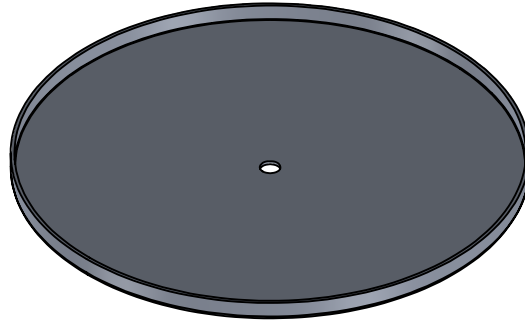
3

2

1

ITEM NO.	PART NUMBER	DESCRIPTION	QTY.
1	BOL-45X11LV-30L-MBK-CA-30K-SPUN TOP FITTER	SPUN ALUMINUM 0.080"	1

ITEM NO.	PART NUMBER	DESCRIPTION	QTY.
1	BOL-45X11LV-30L-MBK-CA-30K-ACRYLIC FITTER	SPUN ALUMINUM 0.080"	1



PROPRIETARY AND CONFIDENTIAL
 THE INFORMATION CONTAINED IN THIS DRAWING IS THE SOLE PROPERTY OF <INSERT COMPANY NAME HERE>. ANY REPRODUCTION IN PART OR AS A WHOLE WITHOUT THE WRITTEN PERMISSION OF <INSERT COMPANY NAME HERE> IS PROHIBITED.

UNLESS OTHERWISE SPECIFIED:		NAME	DATE
DIMENSIONS ARE IN INCHES		DRAWN	
TOLERANCES:		CHECKED	
FRACTIONAL ±		ENG APPR.	
ANGULAR: MACH ± BEND ±		MFG APPR.	
TWO PLACE DECIMAL ±		Q.A.	
THREE PLACE DECIMAL ±		COMMENTS:	
INTERPRET GEOMETRIC TOLERANCING PER:			
MATERIAL			
NEXT ASSY	USED ON		
FINISH			
APPLICATION			
DO NOT SCALE DRAWING			

SPUN ALUMINUM 0.080"		
TITLE:		
BOL-45X11LV-30L-MBK-CA-30K		
SIZE	DWG. NO.	REV
A		
SCALE: 1:4	WEIGHT:	SHEET 11 OF 11