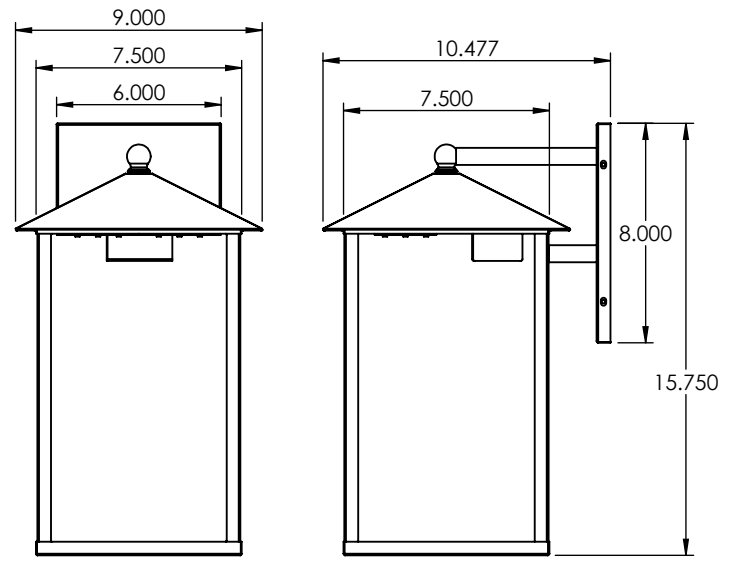
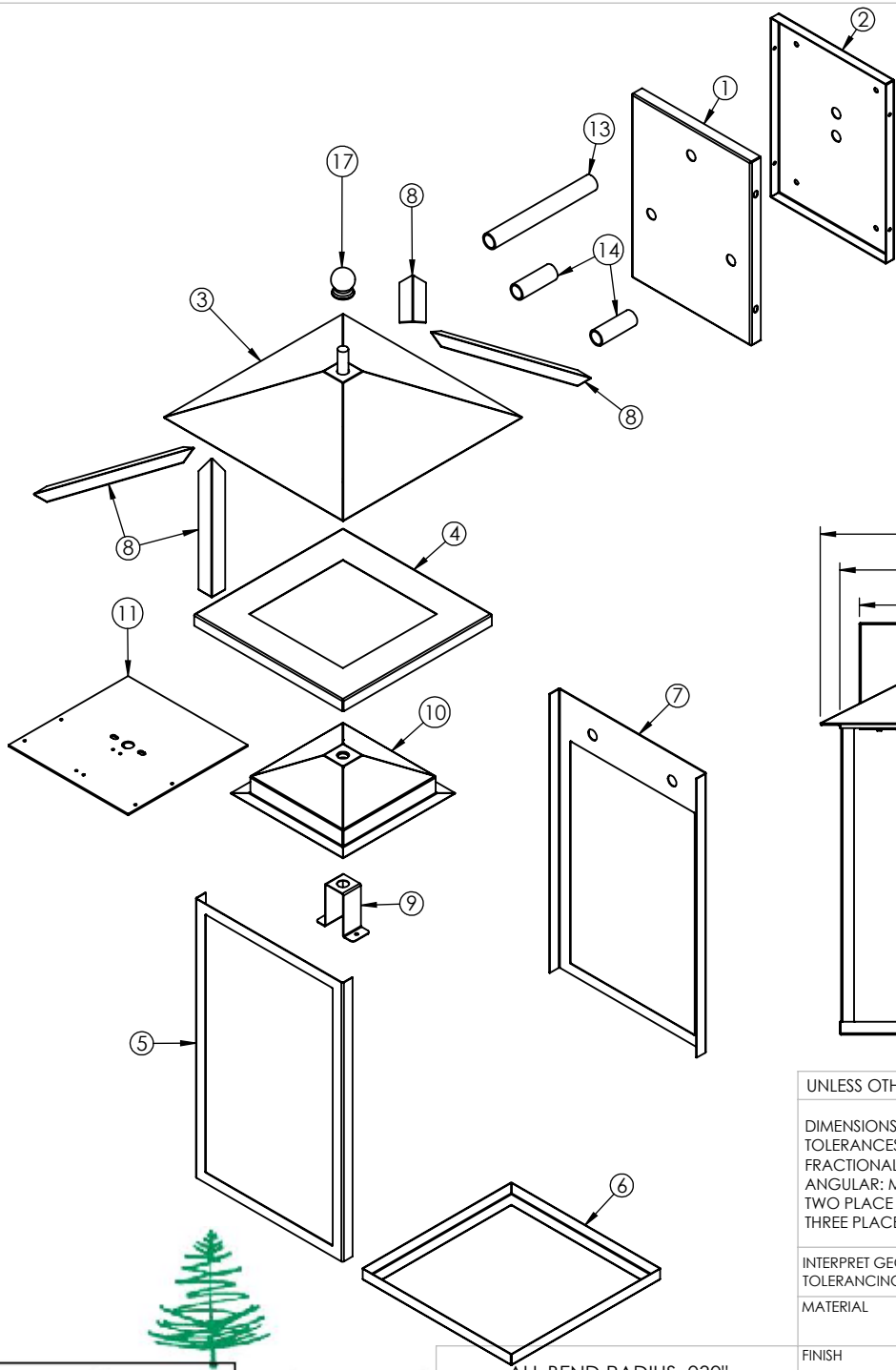


ITEM NO.	PART NUMBER	DESCRIPTION	QTY.	CUT
1	302320LS-GBK-A-AA-41K-CANOPY	22 GAUGE	1	
2	302320LS-GBK-A-AA-41K-FIREPLATE	22 GAUGE	1	
3	302320LS-GBK-A-AA-41K-PYRAMID TOP	22 GAUGE	1	
4	302320LS-GBK-A-AA-41K-FRAME TOP CAP	22 GAUGE	1	
5	302320LS-GBK-A-AA-41K-FRAME	22 GAUGE	1	
6	302320LS-GBK-A-AA-41K-FRAME BOTTOM CAP	22 GAUGE	1	
7	302320LS-GBK-A-AA-41K-FRAME BACK	22 GAUGE	1	
8	302320LS-GBK-A-AA-41K-CONE FLANGE	22 GAUGE	4	
9	302320LS-GBK-A-AA-41K-REFLECTOR BRACKET	22 GAUGE	1	
10	302320LS-GBK-A-AA-41K-PYRAMID CAP	22 GAUGE	1	
11	302320LS-GBK-A-AA-41K-REFLECTOR PLATE	ALUMINUM 0.0635"	1	
12	302320LS-GBK-A-AA-41K-ACRYLIC	ACRYLIC	4	
13	302320LS-GBK-A-AA-41K-SMALL TUBE	5/8" ROUND ALUMINUM TUBE	1	
14	302320LS-GBK-A-AA-41K-SMALL TUBE	5/8" ROUND ALUMINUM TUBE	2	
15	302320LS-GBK-A-AA-41K-NIPPLE	NIPPLE	1	
16	SMALL NUT	STEEL NUT	1	
17	BRASS L JOINT	BRASS JOINT	1	
18	Altal LED PN1019 SHIM PLATE	ALUMINUM 0.125" PLATE	2	
19	Espen VEL19070MVH-1	DRIVER	1	
20	Altal LED PN1019 RevC	LED	2	

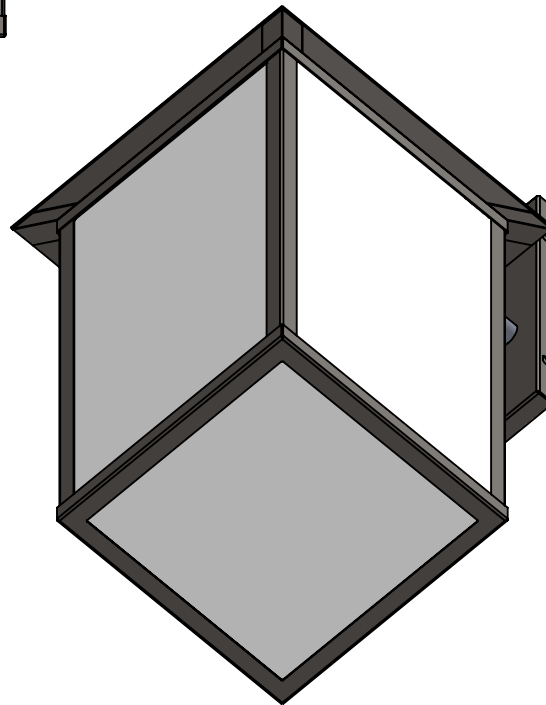
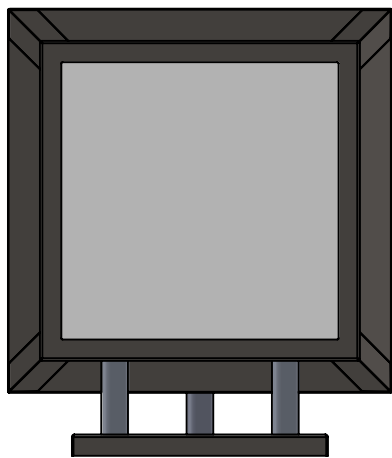
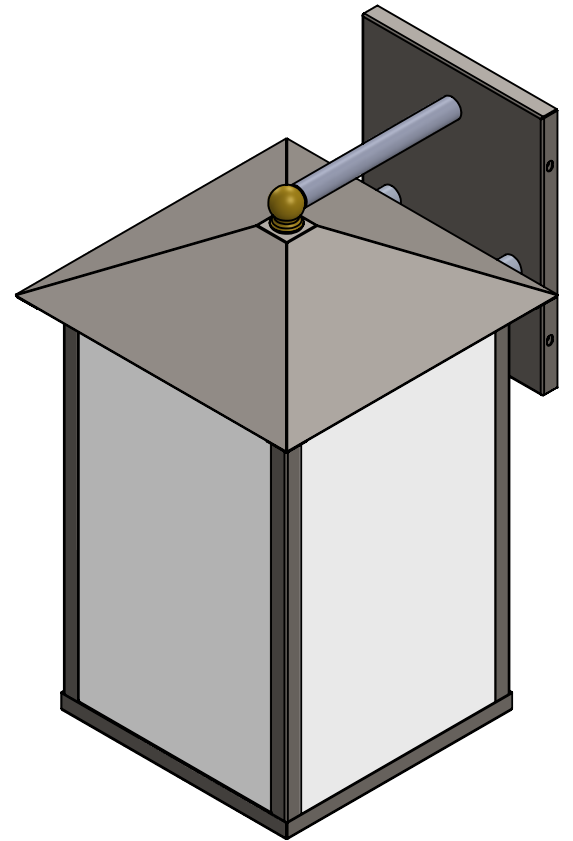
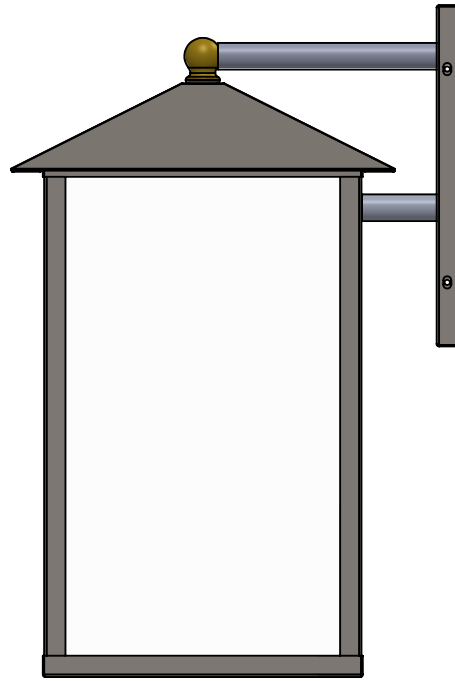
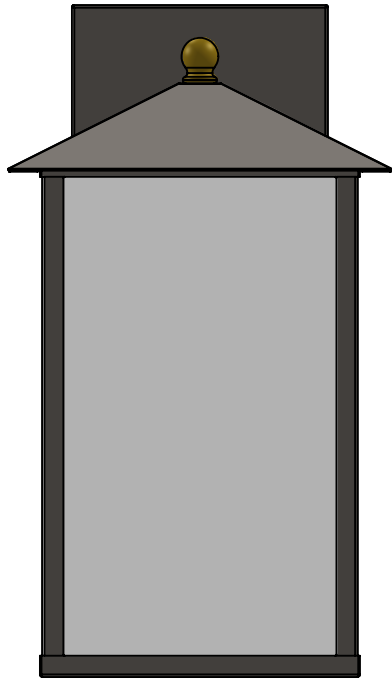


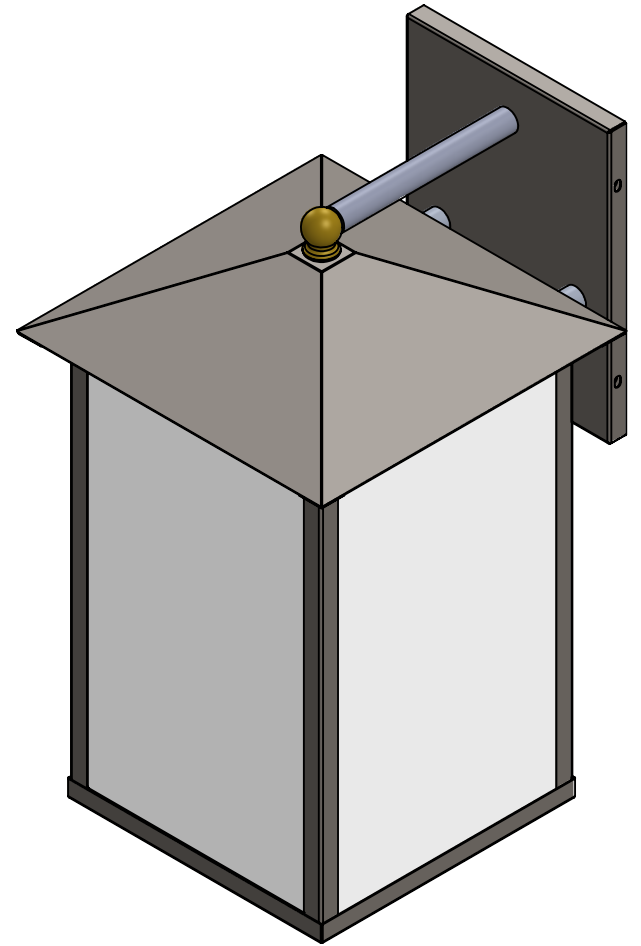
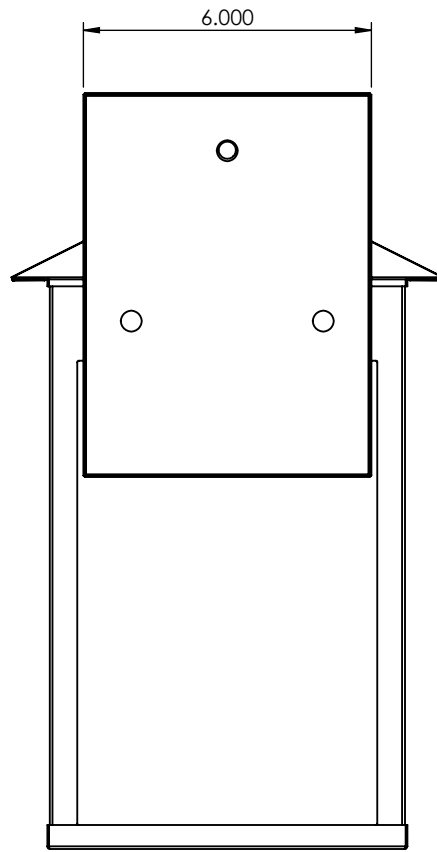
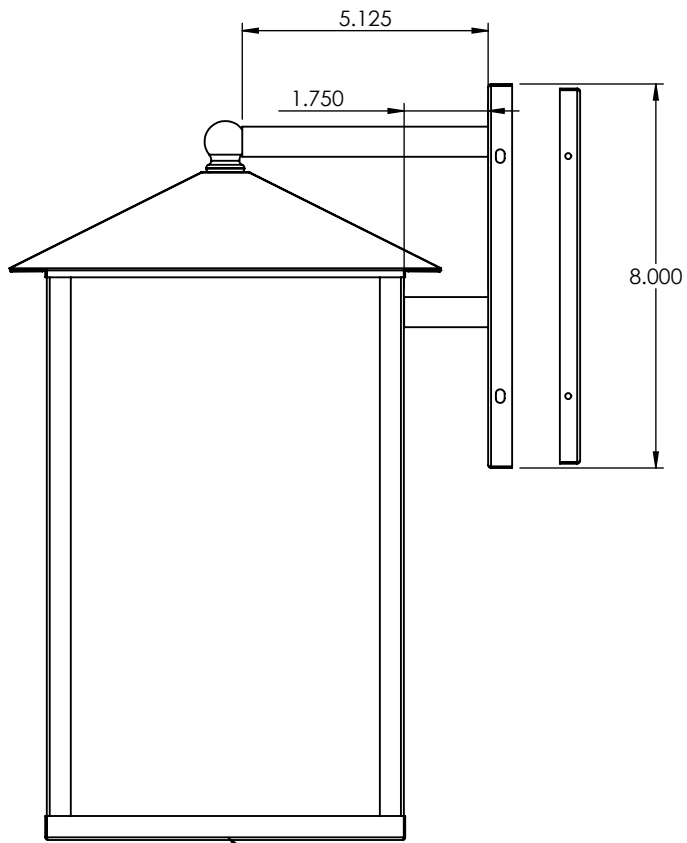
ALL BEND RADIUS .030"

UNLESS OTHERWISE SPECIFIED:
 DIMENSIONS ARE IN INCHES
 TOLERANCES:
 FRACTIONAL ± .003
 ANGULAR: MACH ± .01 BEND ±
 TWO PLACE DECIMAL ±
 THREE PLACE DECIMAL ±.001
 INTERPRET GEOMETRIC
 TOLERANCING PER:
 MATERIAL
 FINISH
 APPLICATION
 DO NOT SCALE DRAWING

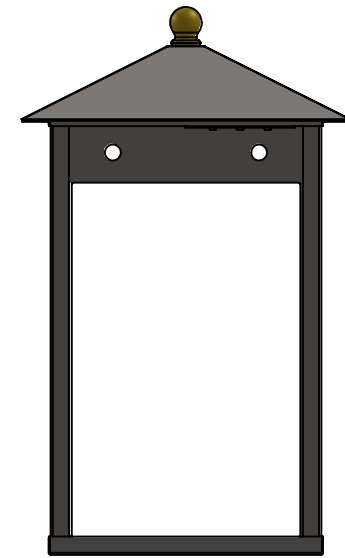
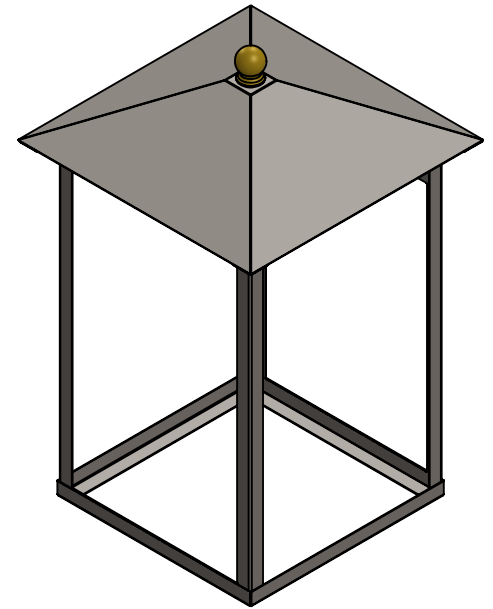
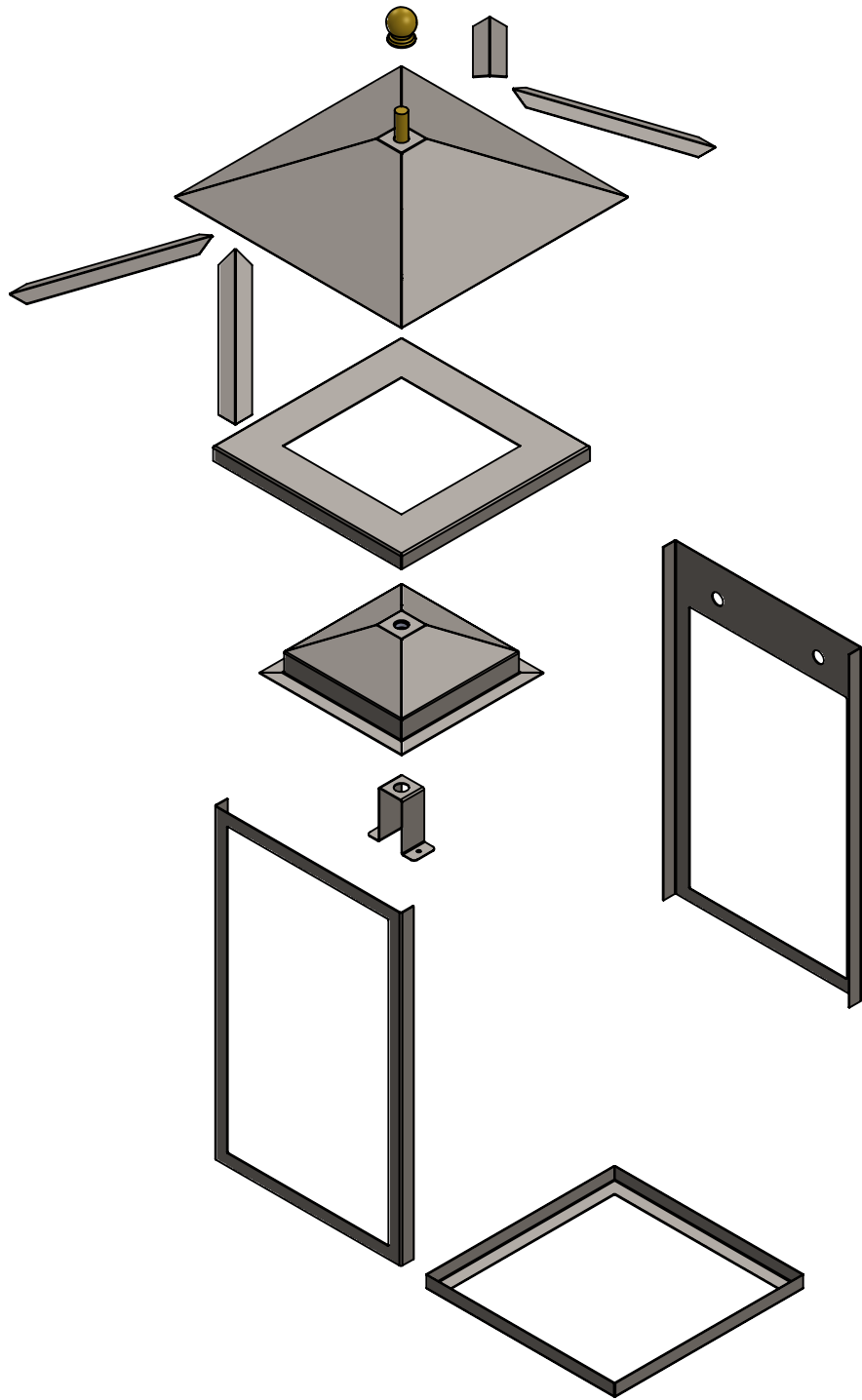
NAME	DATE
DRAWN	
CHECKED	
ENG APPR.	
MFG APPR.	
Q.A.	
COMMENTS:	

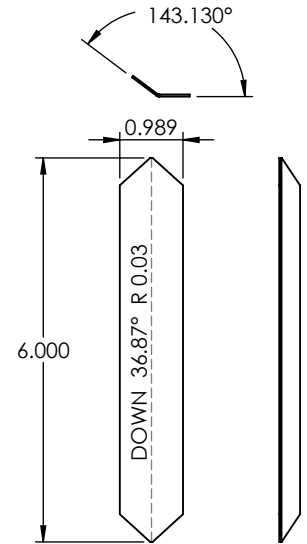
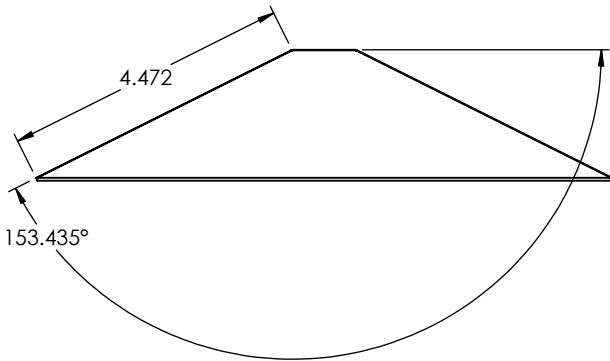
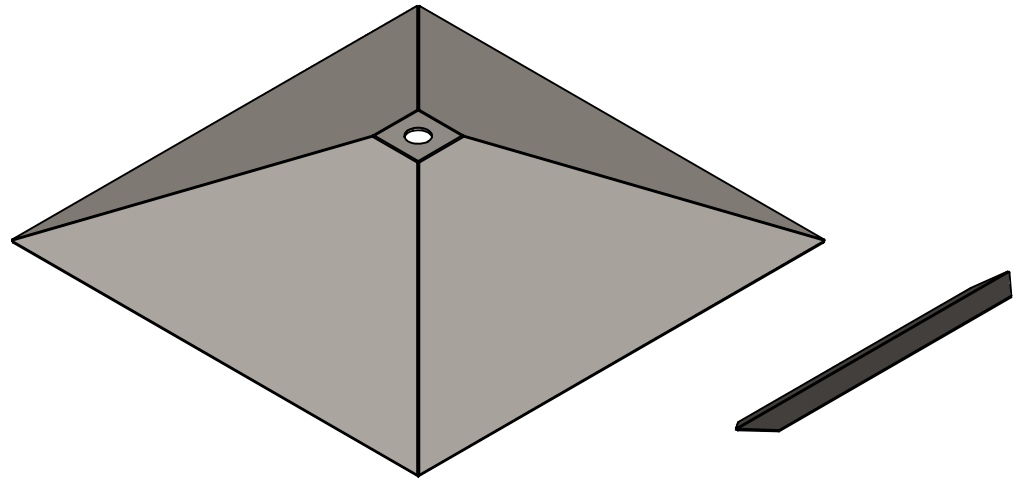
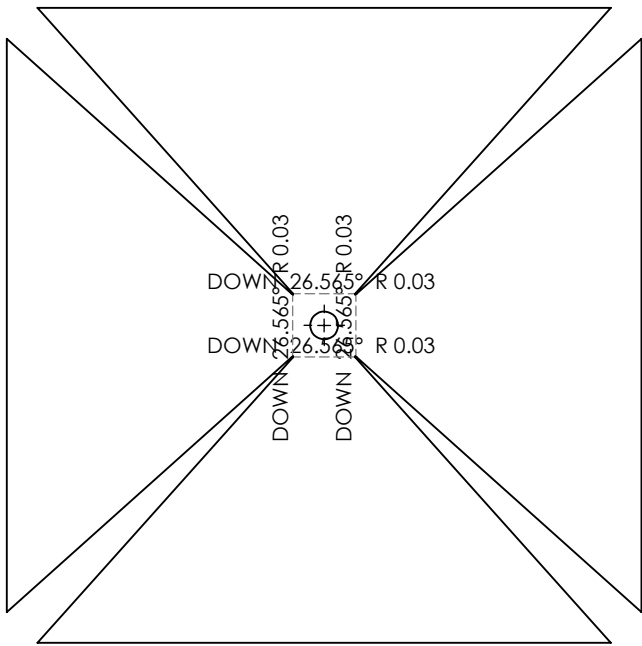
TITLE:		
302320LS-GBK-A-AA-41K		
SIZE	DWG. NO.	REV
A	TICKET 24806	
SCALE: 1:7	WEIGHT:	SHEET 1 OF 10





BOTTOM HAS DROP IN LENS OPENNING





PROPRIETARY AND CONFIDENTIAL
 THE INFORMATION CONTAINED IN THIS DRAWING IS THE SOLE PROPERTY OF <INSERT COMPANY NAME HERE>. ANY REPRODUCTION IN PART OR AS A WHOLE WITHOUT THE WRITTEN PERMISSION OF <INSERT COMPANY NAME HERE> IS PROHIBITED.

		UNLESS OTHERWISE SPECIFIED:		NAME	DATE
		DIMENSIONS ARE IN INCHES	DRAWN		
		TOLERANCES:	CHECKED		
		FRACTIONAL ±	ENG APPR.		
		ANGULAR: MACH ± BEND ±	MFG APPR.		
		TWO PLACE DECIMAL ±	Q.A.		
		THREE PLACE DECIMAL ±	COMMENTS:		
		INTERPRET GEOMETRIC TOLERANCING PER:			
		MATERIAL			
NEXT ASSY	USED ON	FINISH			
APPLICATION		DO NOT SCALE DRAWING			

22 GAUGE		
TITLE:		
302320LS-GBK-A-AA-41K		
SIZE	DWG. NO.	REV
A		
SCALE: 1:3	WEIGHT:	SHEET 5 OF 10

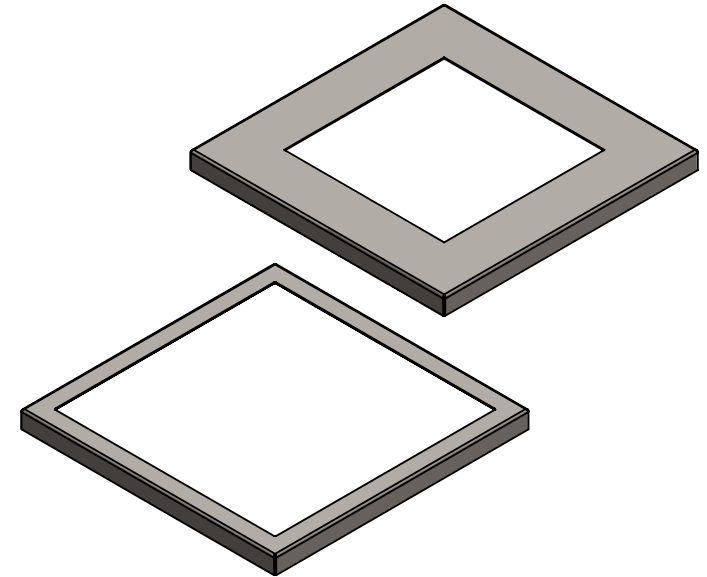
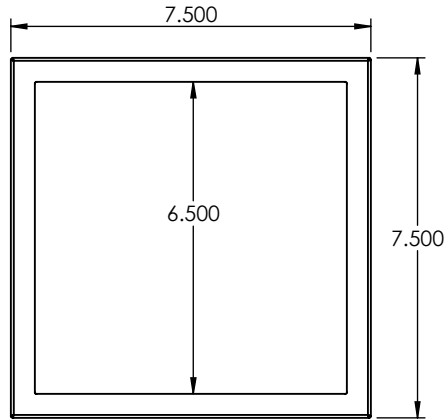
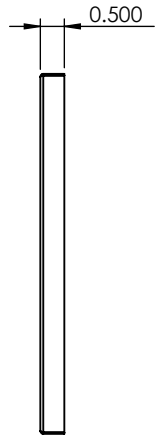
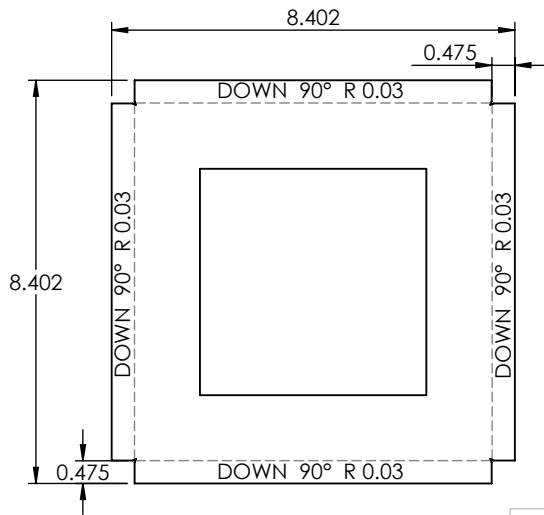
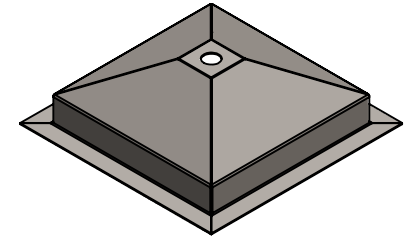
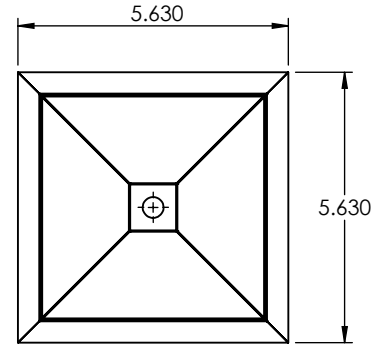
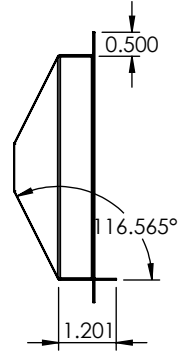
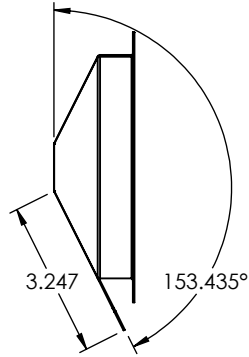
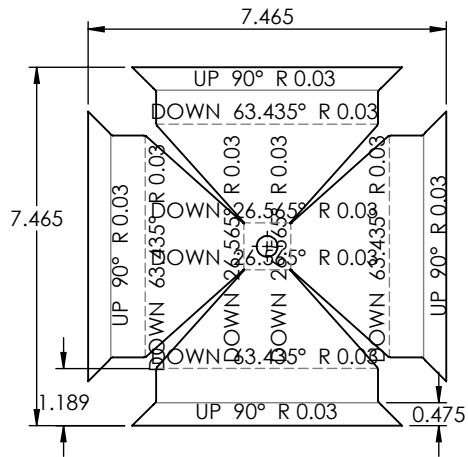
5

4

3

2

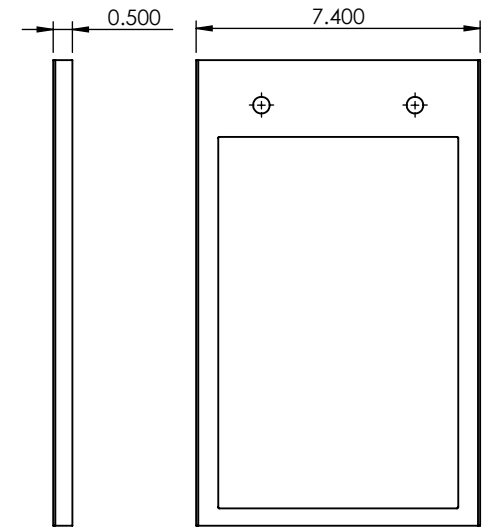
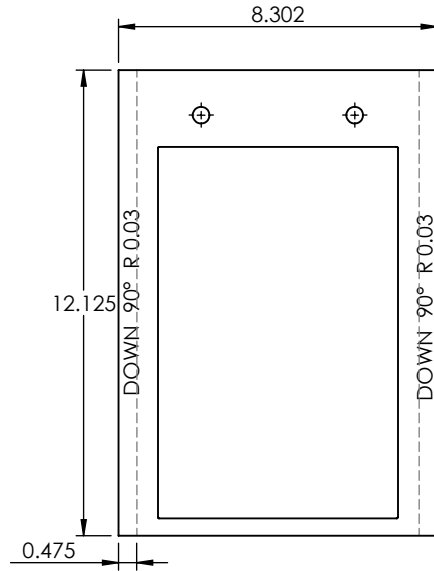
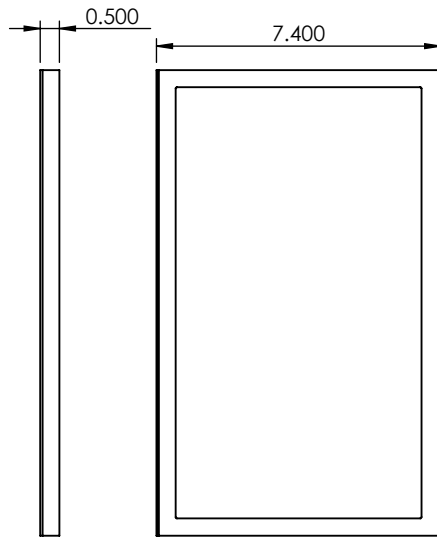
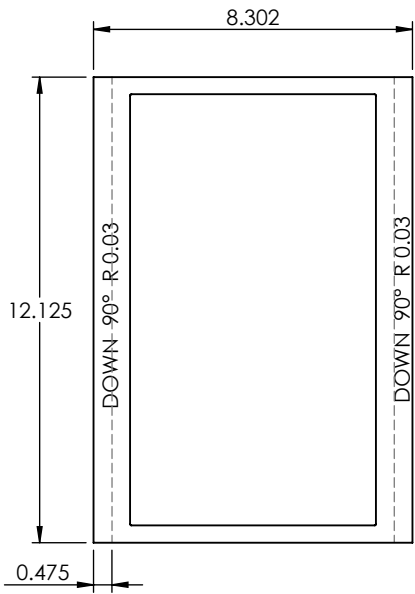
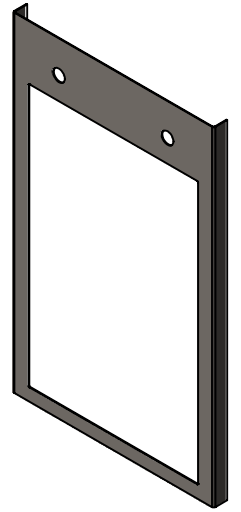
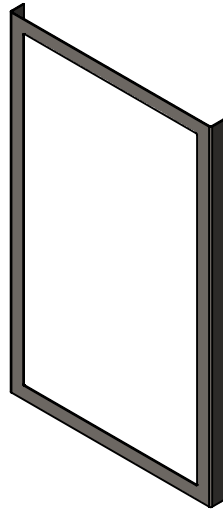
1



PROPRIETARY AND CONFIDENTIAL
 THE INFORMATION CONTAINED IN THIS DRAWING IS THE SOLE PROPERTY OF <INSERT COMPANY NAME HERE>. ANY REPRODUCTION IN PART OR AS A WHOLE WITHOUT THE WRITTEN PERMISSION OF <INSERT COMPANY NAME HERE> IS PROHIBITED.

		UNLESS OTHERWISE SPECIFIED:		NAME	DATE
		DIMENSIONS ARE IN INCHES	DRAWN		
		TOLERANCES:	CHECKED		
		FRACTIONAL ±	ENG APPR.		
		ANGULAR: MACH ± BEND ±	MFG APPR.		
		TWO PLACE DECIMAL ±	Q.A.		
		THREE PLACE DECIMAL ±	COMMENTS:		
		INTERPRET GEOMETRIC TOLERANCING PER:			
		MATERIAL			
NEXT ASSY	USED ON	FINISH			
		APPLICATION			
		DO NOT SCALE DRAWING			

22 GAUGE		
TITLE:		
302320LS-GBK-A-AA-41K		
SIZE	DWG. NO.	REV
A		
SCALE: 1:4	WEIGHT:	SHEET 6 OF 10



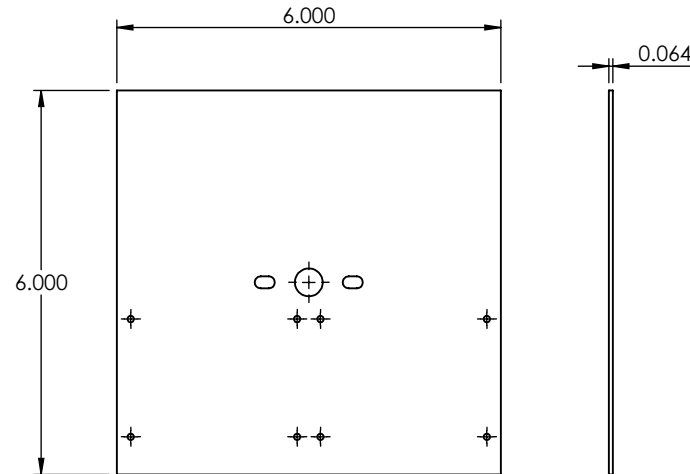
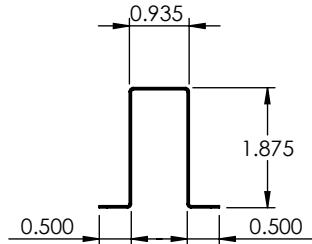
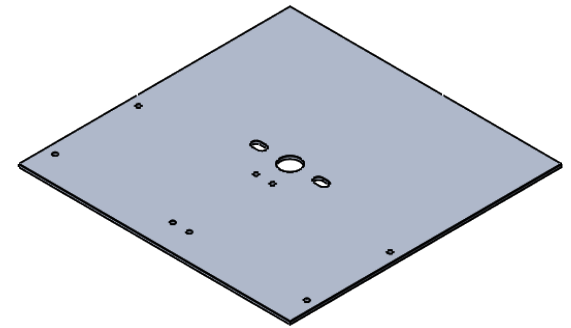
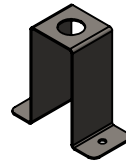
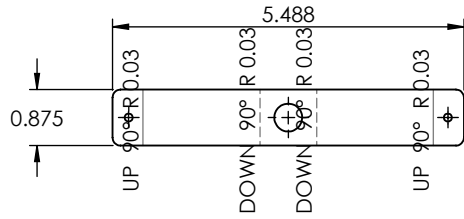
PROPRIETARY AND CONFIDENTIAL
 THE INFORMATION CONTAINED IN THIS DRAWING IS THE SOLE PROPERTY OF <INSERT COMPANY NAME HERE>. ANY REPRODUCTION IN PART OR AS A WHOLE WITHOUT THE WRITTEN PERMISSION OF <INSERT COMPANY NAME HERE> IS PROHIBITED.

		UNLESS OTHERWISE SPECIFIED:	NAME	DATE
		DIMENSIONS ARE IN INCHES	DRAWN	
		TOLERANCES:	CHECKED	
		FRACTIONAL ±	ENG APPR.	
		ANGULAR: MACH ± BEND ±	MFG APPR.	
		TWO PLACE DECIMAL ±	Q.A.	
		THREE PLACE DECIMAL ±	COMMENTS:	
		INTERPRET GEOMETRIC TOLERANCING PER:		
		MATERIAL		
NEXT ASSY	USED ON	FINISH		
APPLICATION		DO NOT SCALE DRAWING		

22 GAUGE

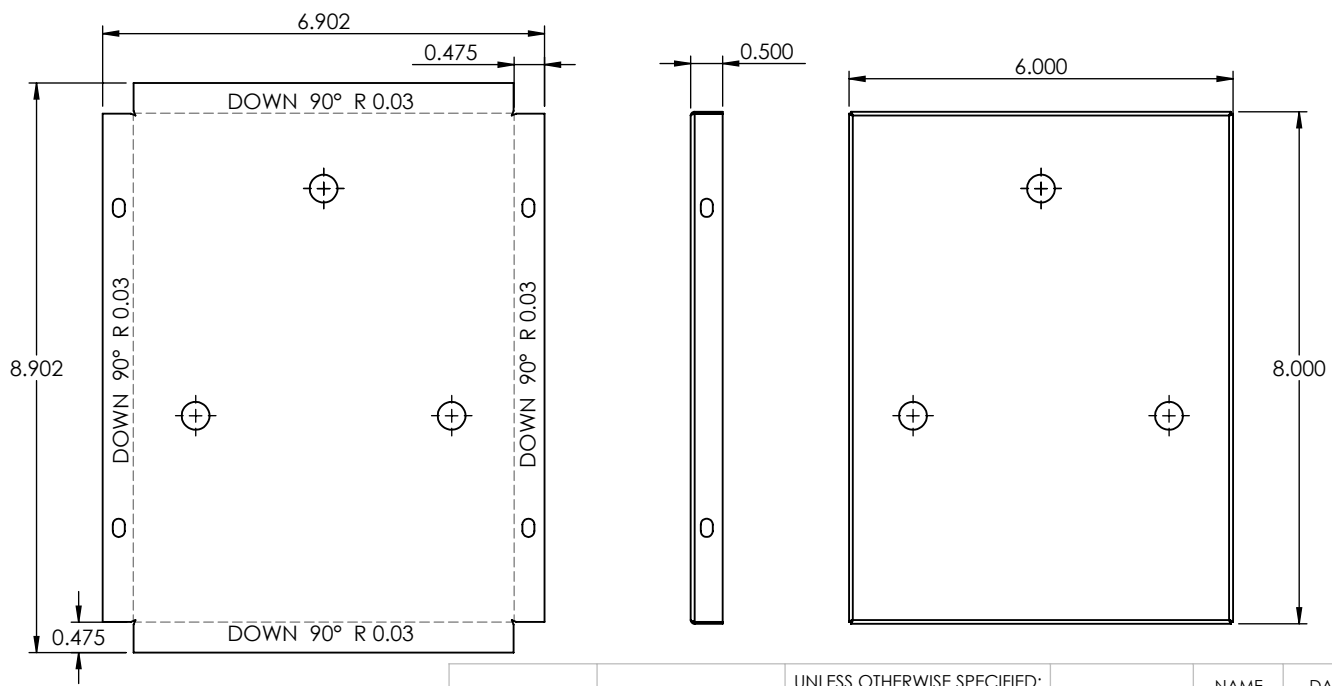
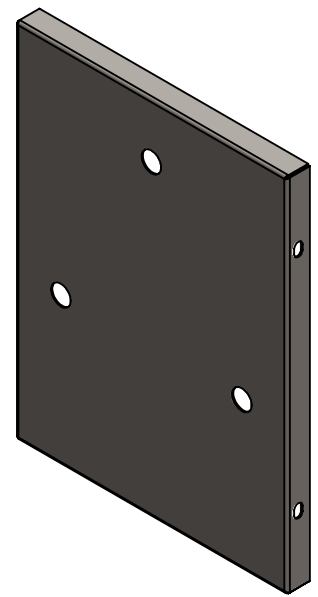
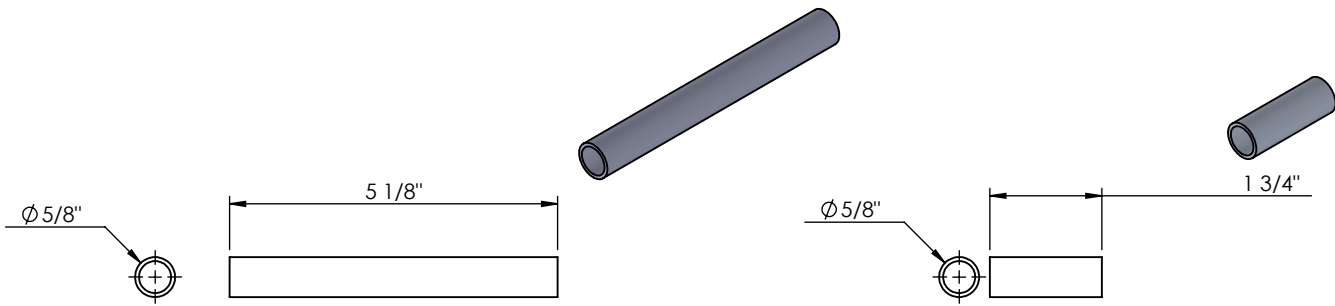
TITLE:
 302320LS-GBK-A-AA-41K

SIZE	DWG. NO.	REV
A		
SCALE: 1:5	WEIGHT:	SHEET 7 OF 10



PROPRIETARY AND CONFIDENTIAL
 THE INFORMATION CONTAINED IN THIS DRAWING IS THE SOLE PROPERTY OF <INSERT COMPANY NAME HERE>. ANY REPRODUCTION IN PART OR AS A WHOLE WITHOUT THE WRITTEN PERMISSION OF <INSERT COMPANY NAME HERE> IS PROHIBITED.

		UNLESS OTHERWISE SPECIFIED:		NAME	DATE	22 GAUGE		
		DIMENSIONS ARE IN INCHES TOLERANCES: FRACTIONAL ± ANGULAR: MACH ± BEND ± TWO PLACE DECIMAL ± THREE PLACE DECIMAL ±	DRAWN					
		INTERPRET GEOMETRIC TOLERANCING PER:	CHECKED			SIZE A	DWG. NO.	REV
		MATERIAL	ENG APPR.					
		FINISH	MFG APPR.					
NEXT ASSY	USED ON		Q.A.					
APPLICATION		DO NOT SCALE DRAWING	COMMENTS:					



PROPRIETARY AND CONFIDENTIAL
 THE INFORMATION CONTAINED IN THIS DRAWING IS THE SOLE PROPERTY OF <INSERT COMPANY NAME HERE>. ANY REPRODUCTION IN PART OR AS A WHOLE WITHOUT THE WRITTEN PERMISSION OF <INSERT COMPANY NAME HERE> IS PROHIBITED.

		UNLESS OTHERWISE SPECIFIED:		NAME	DATE
		DIMENSIONS ARE IN INCHES	DRAWN		
		TOLERANCES:	CHECKED		
		FRACTIONAL ±	ENG APPR.		
		ANGULAR: MACH ± BEND ±	MFG APPR.		
		TWO PLACE DECIMAL ±	Q.A.		
		THREE PLACE DECIMAL ±	COMMENTS:		
		INTERPRET GEOMETRIC TOLERANCING PER:			
		MATERIAL			
		FINISH			
NEXT ASSY	USED ON				
APPLICATION	DO NOT SCALE DRAWING				

22 GAUGE		
TITLE:		
302320LS-GBK-A-AA-41K		
SIZE	DWG. NO.	REV
A		
SCALE: 1:3	WEIGHT:	SHEET 9 OF 10

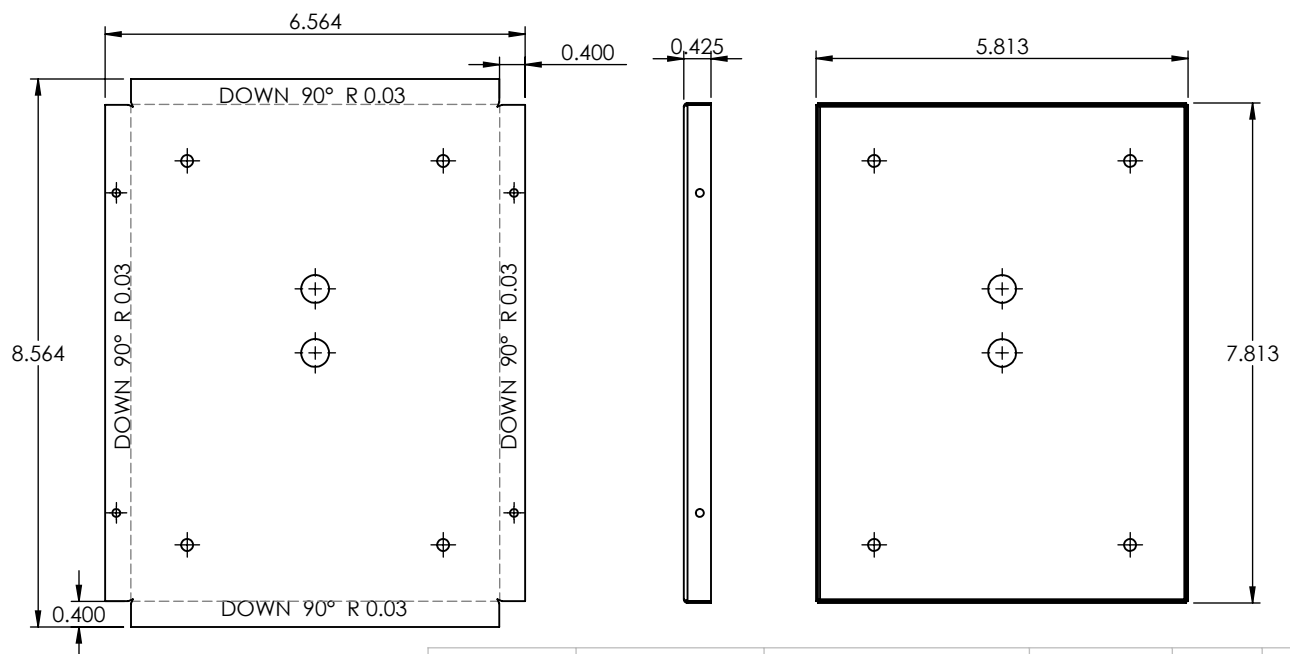
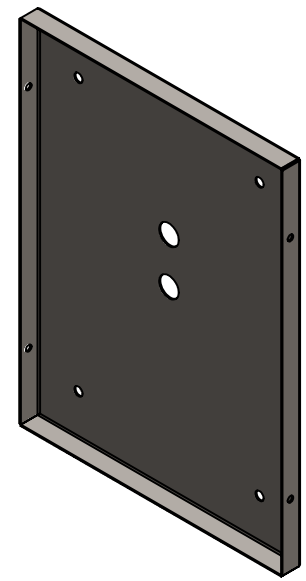
5

4

3

2

1



PROPRIETARY AND CONFIDENTIAL
 THE INFORMATION CONTAINED IN THIS DRAWING IS THE SOLE PROPERTY OF <INSERT COMPANY NAME HERE>. ANY REPRODUCTION IN PART OR AS A WHOLE WITHOUT THE WRITTEN PERMISSION OF <INSERT COMPANY NAME HERE> IS PROHIBITED.

		UNLESS OTHERWISE SPECIFIED:		NAME	DATE
		DIMENSIONS ARE IN INCHES	DRAWN		
		TOLERANCES:	CHECKED		
		FRACTIONAL ±	ENG APPR.		
		ANGULAR: MACH ± BEND ±	MFG APPR.		
		TWO PLACE DECIMAL ±	Q.A.		
		THREE PLACE DECIMAL ±	COMMENTS:		
		INTERPRET GEOMETRIC TOLERANCING PER:			
		MATERIAL			
		FINISH			
NEXT ASSY	USED ON				
APPLICATION		DO NOT SCALE DRAWING			

22 GAUGE		
TITLE:		
302320LS-GBK-A-AA-41K		
SIZE	DWG. NO.	REV
A		
SCALE: 1:3	WEIGHT:	SHEET 10 OF 10

5

4

3

2

1