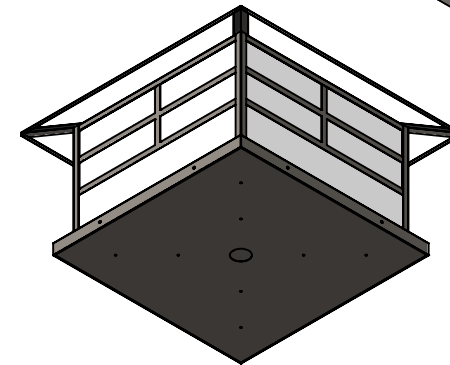
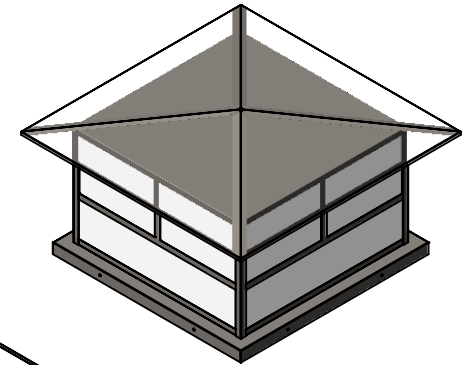
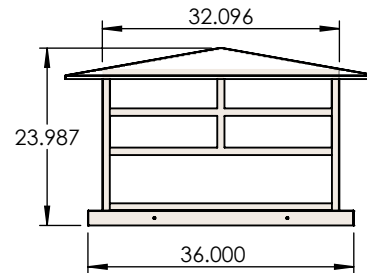
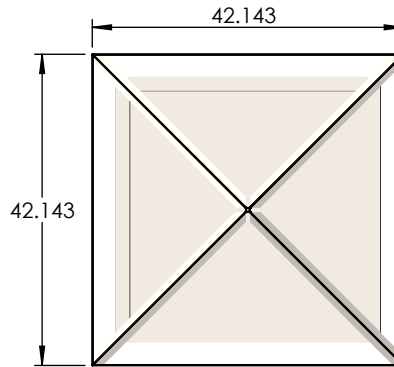
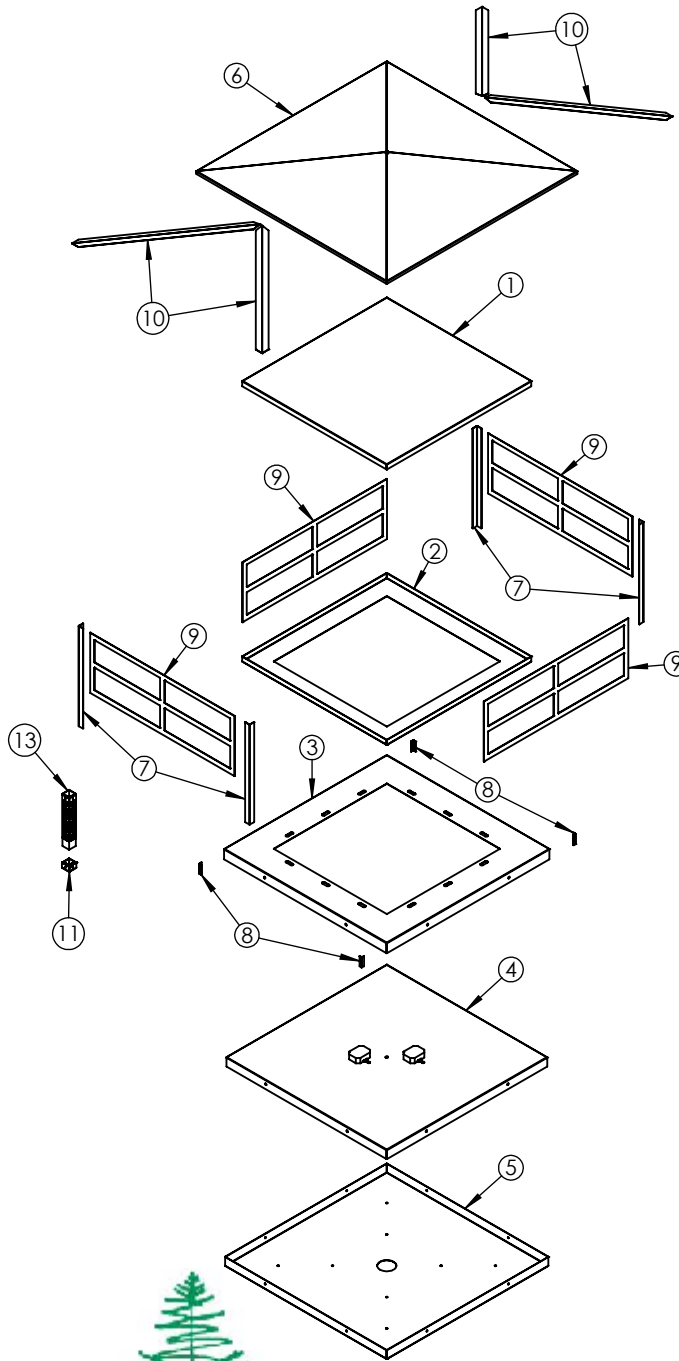


ITEM NO.	PART NUMBER	DESCRIPTION	QTY.	CUT
1	30-CLM-42X42-48LED-GBK-WF-30K-FAME TOP CAP	18 GAUGE	1	
2	30-CLM-42X42-48LED-GBK-WF-30K-FAME BOTTOM CAP	18 GAUGE	1	
3	30-CLM-42X42-48LED-GBK-WF-30K-FRAME BOTTOM	18 GAUGE	1	
4	30-CLM-42X42-48LED-GBK-WF-30K-BACKPLATE	18 GAUGE	1	
5	30-CLM-42X42-48LED-GBK-WF-30K-ANCHOR PLATE	18 GAUGE	1	
6	30-CLM-42X42-48LED-GBK-WF-30K-PYRAMID CAP	18 GAUGE	1	
7	30-CLM-42X42-48LED-GBK-WF-30K-FRAME TAB	18 GAUGE	4	
8	30-CLM-42X42-48LED-GBK-WF-30K-FRAME BOTTOM TAB	22 GAUGE	4	
9	30-CLM-42X42-48LED-GBK-WF-30K-ACCENT STRAPS	22 GAUGE	4	
10	30-CLM-42X42-48LED-GBK-WF-30K-PYRAMID FLANGE	22 GAUGE	4	
11	30-CLM-42X42-48LED-GBK-WF-SQUARE TUBE BRACKET	22 GAUGE	1	
12	30-CLM-42X42-48LED-GBK-WF-30K-ACRYLIC	ACRYLIC	4	
13	30-CLM-42X42-48LED-GBK-WF-SQUARE TUBE	1" SQR ALUMINUM TUBE	1	
14	HATCH-LC25-0700Z-UNV-Q	DRIVER	2	
15	Altailed_PN1004RevD	LED	8	



UNLESS OTHERWISE SPECIFIED:

DIMENSIONS ARE IN INCHES  
 TOLERANCES:  
 FRACTIONAL ± .003  
 ANGULAR: MACH ± .01 BEND ±  
 TWO PLACE DECIMAL ±  
 THREE PLACE DECIMAL ±.001

INTERPRET GEOMETRIC  
 TOLERANCING PER:  
 MATERIAL

FINISH

	NAME	DATE
DRAWN		
CHECKED		
ENG APPR.		
MFG APPR.		
Q.A.		

COMMENTS:

TITLE:

30-CLM-42X42-48LED-GBK-WF-30K

SIZE DWG. NO. REV

**A** TICKET 24816

SCALE: 1:30 WEIGHT: SHEET 1 OF 8

**EVERGREEN LIGHTING**

ALL BEND RADIUS .030"

APPLICATION

DO NOT SCALE DRAWING

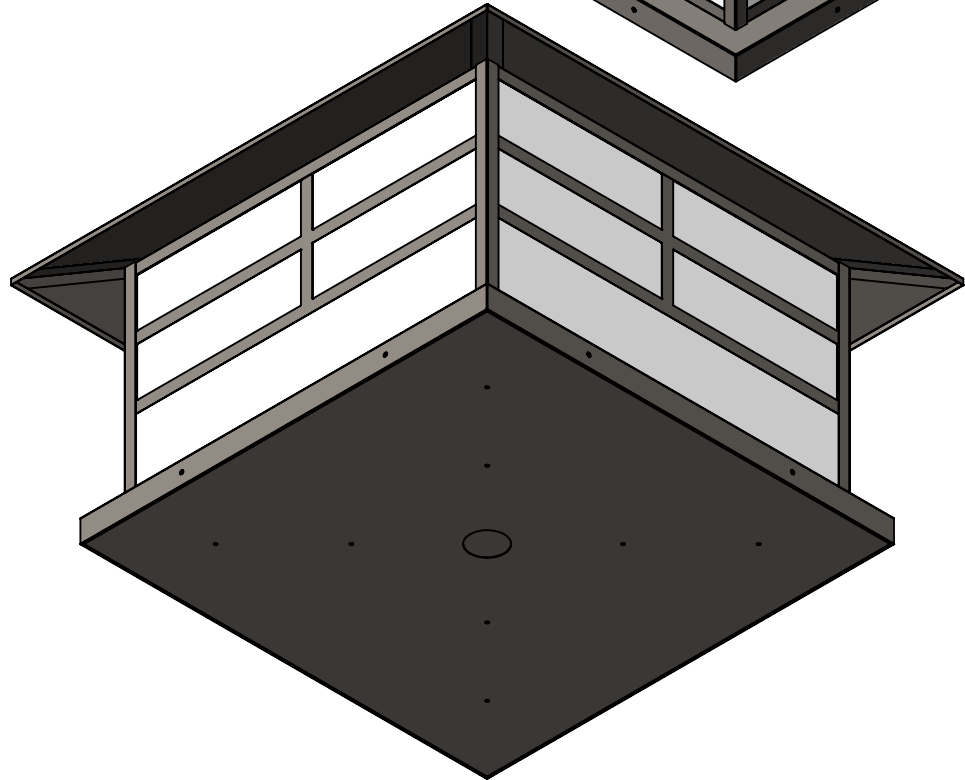
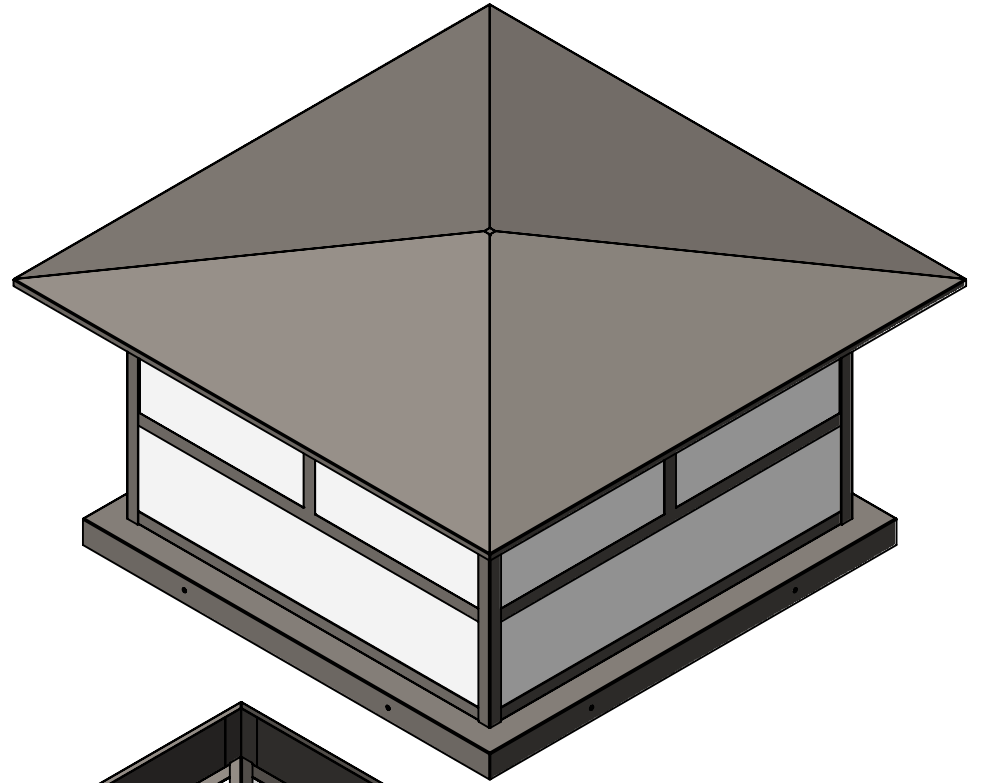
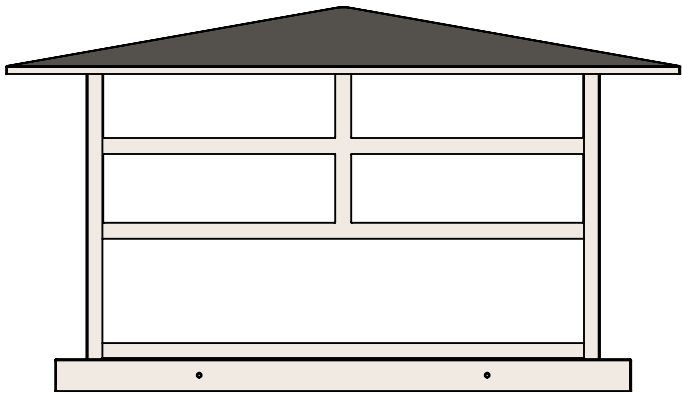
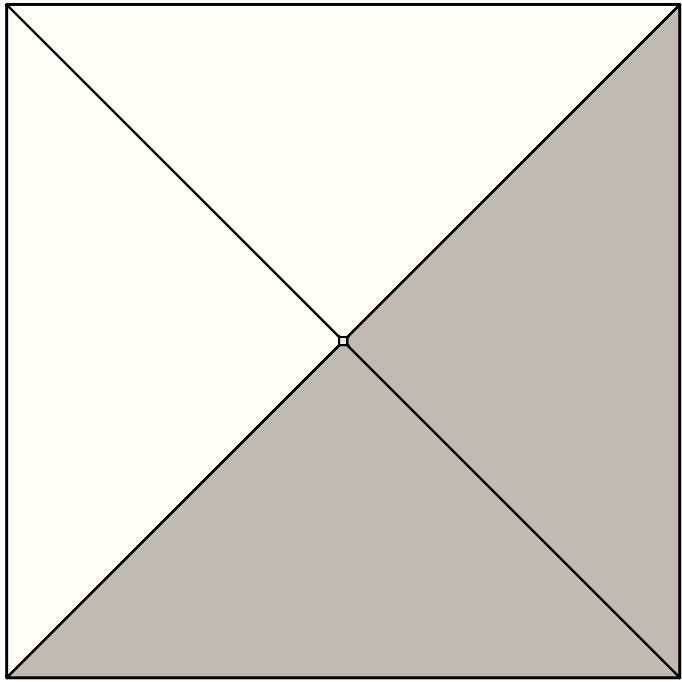
5

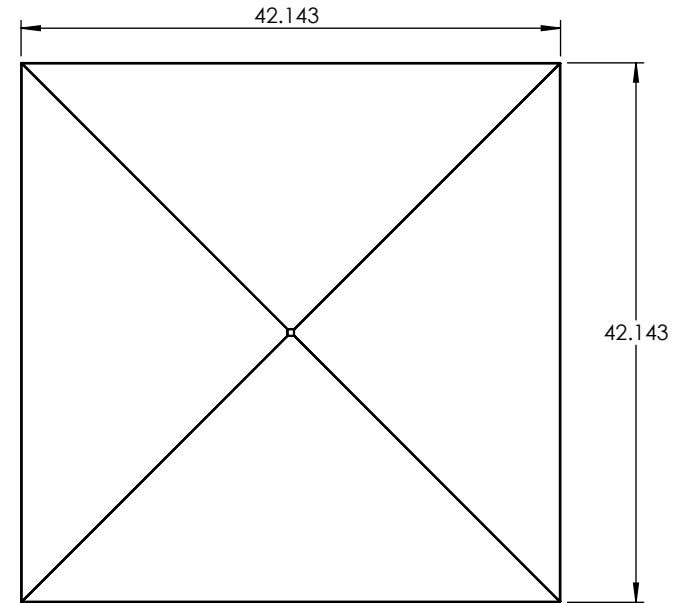
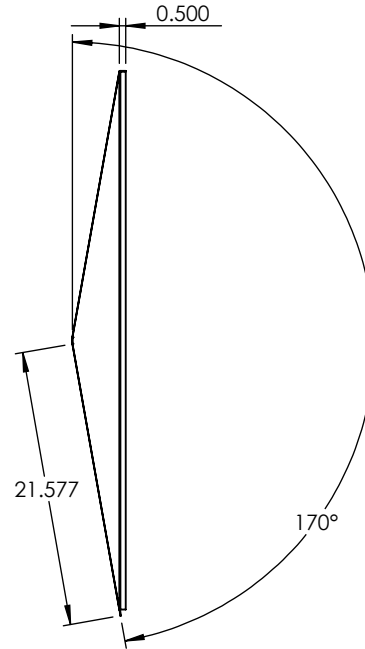
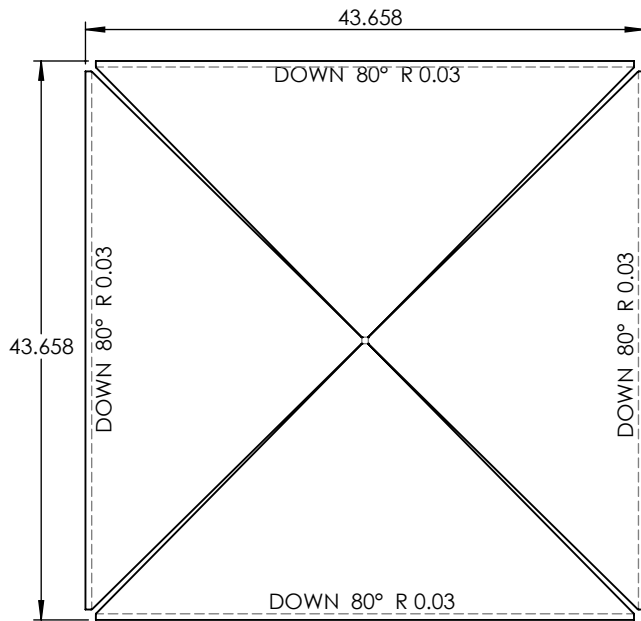
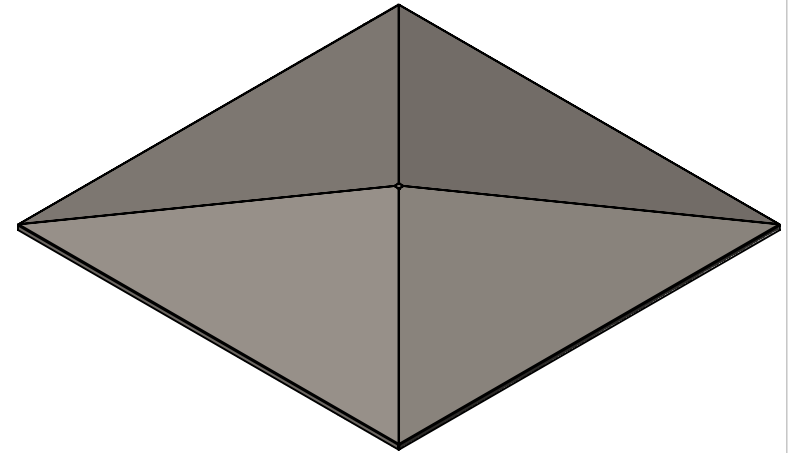
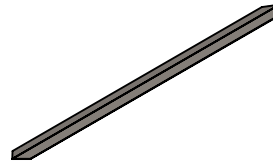
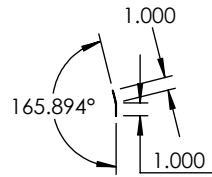
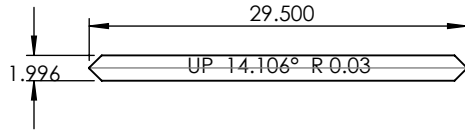
4

3

2

1





**PROPRIETARY AND CONFIDENTIAL**  
 THE INFORMATION CONTAINED IN THIS DRAWING IS THE SOLE PROPERTY OF <INSERT COMPANY NAME HERE>. ANY REPRODUCTION IN PART OR AS A WHOLE WITHOUT THE WRITTEN PERMISSION OF <INSERT COMPANY NAME HERE> IS PROHIBITED.

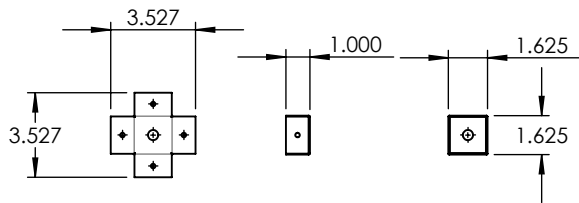
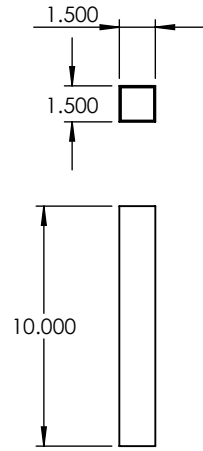
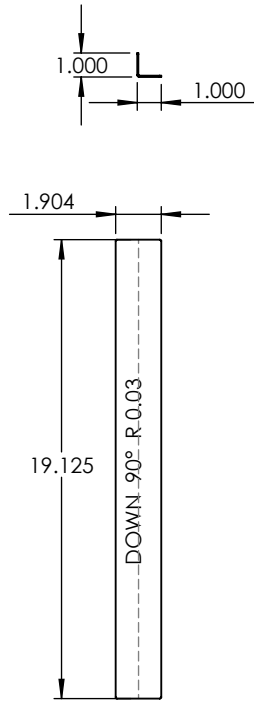
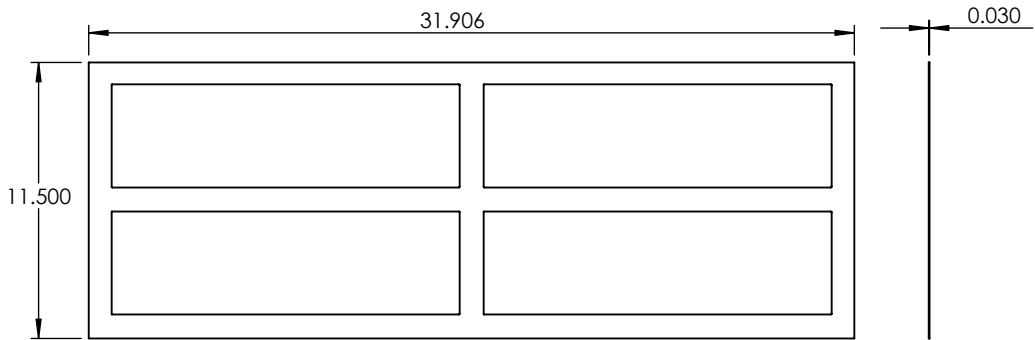
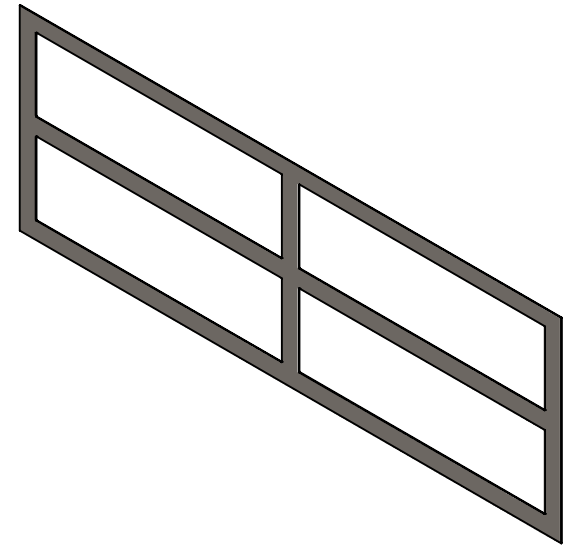
		UNLESS OTHERWISE SPECIFIED:	NAME	DATE
		DIMENSIONS ARE IN INCHES	DRAWN	
		TOLERANCES:	CHECKED	
		FRACTIONAL ±	ENG APPR.	
		ANGULAR: MACH ± BEND ±	MFG APPR.	
		TWO PLACE DECIMAL ±	Q.A.	
		THREE PLACE DECIMAL ±	COMMENTS:	
		INTERPRET GEOMETRIC TOLERANCING PER:		
		MATERIAL		
NEXT ASSY	USED ON	FINISH		
APPLICATION		DO NOT SCALE DRAWING		

18 GAUGE

TITLE:  
 30-CLM-42X42-48LED-GBK-WF-30K

SIZE	DWG. NO.	REV
<b>A</b>		

SCALE: 1:15 WEIGHT: SHEET 3 OF 8

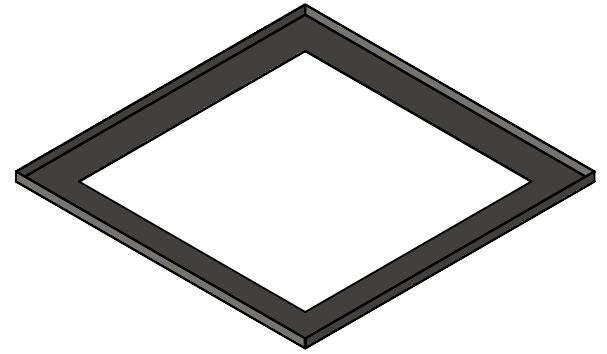
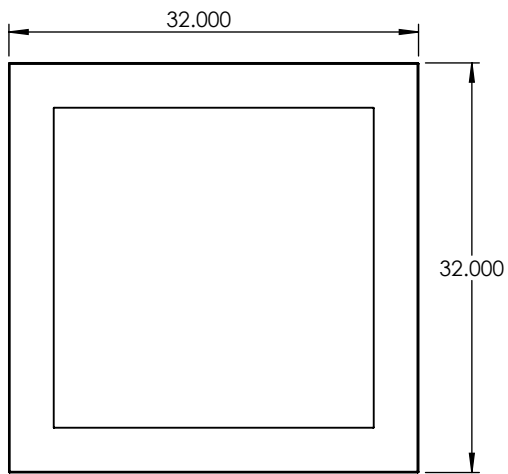
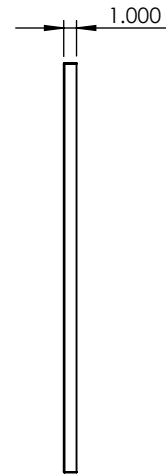
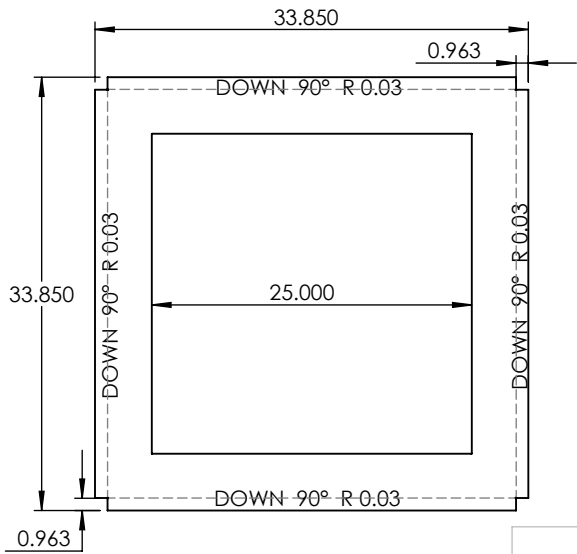
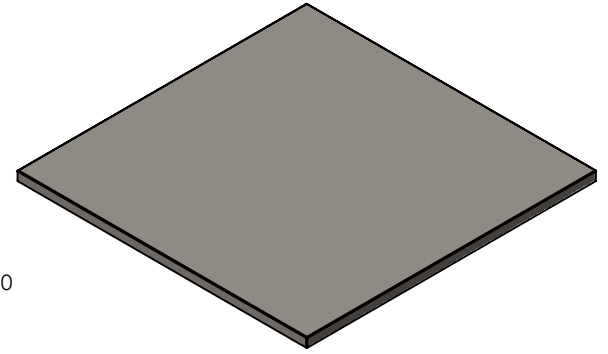
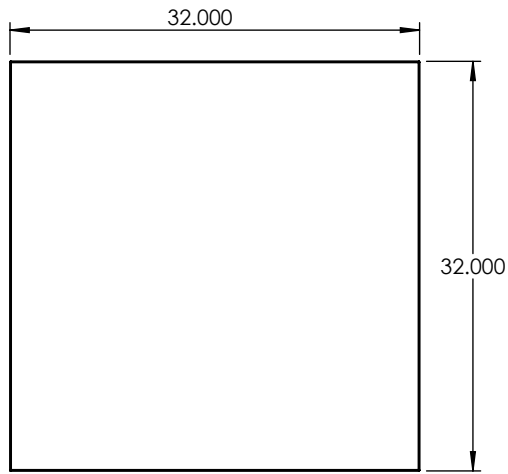
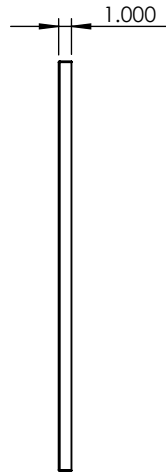
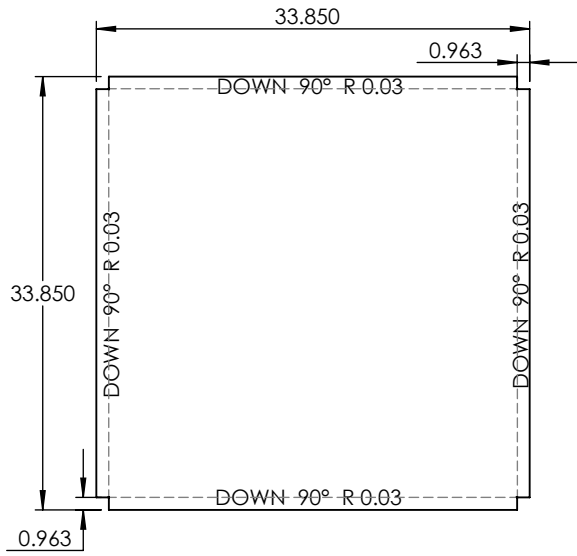


UNLESS OTHERWISE SPECIFIED: DIMENSIONS ARE IN INCHES TOLERANCES: FRACTIONAL ± ANGULAR: MACH ± BEND ± TWO PLACE DECIMAL ± THREE PLACE DECIMAL ±	NAME	DATE	<b>22 GAUGE</b>		
	DRAWN				TITLE:
	CHECKED		<b>30-CLM-42X42-48LED-GBK-WF-30K</b>		
	ENG APPR.				
	MFG APPR.		Q.A.	COMMENTS:	
INTERPRET GEOMETRIC TOLERANCING PER:			SIZE	DWG. NO.	REV
MATERIAL			<b>A</b>		
FINISH				SCALE: 1:8	WEIGHT:

**PROPRIETARY AND CONFIDENTIAL**  
 THE INFORMATION CONTAINED IN THIS DRAWING IS THE SOLE PROPERTY OF <INSERT COMPANY NAME HERE>. ANY REPRODUCTION IN PART OR AS A WHOLE WITHOUT THE WRITTEN PERMISSION OF <INSERT COMPANY NAME HERE> IS PROHIBITED.

NEXT ASSY	USED ON
APPLICATION	

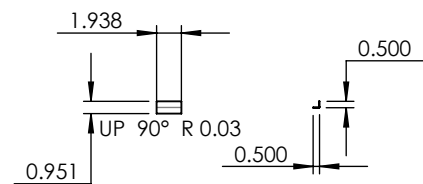
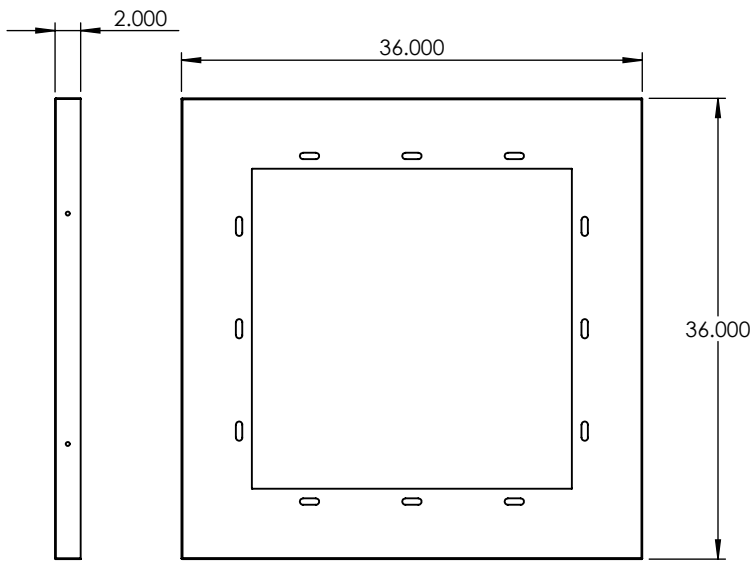
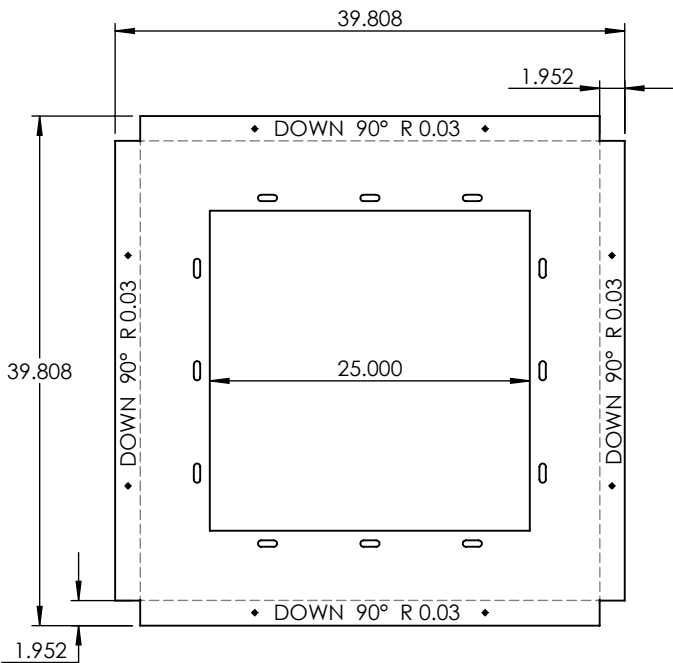
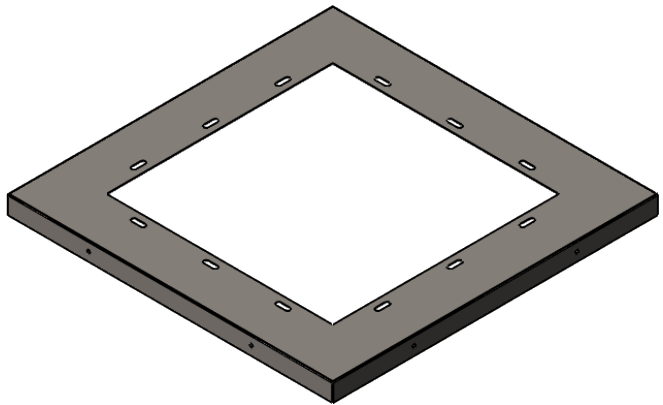
DO NOT SCALE DRAWING



**PROPRIETARY AND CONFIDENTIAL**  
 THE INFORMATION CONTAINED IN THIS DRAWING IS THE SOLE PROPERTY OF <INSERT COMPANY NAME HERE>. ANY REPRODUCTION IN PART OR AS A WHOLE WITHOUT THE WRITTEN PERMISSION OF <INSERT COMPANY NAME HERE> IS PROHIBITED.

		UNLESS OTHERWISE SPECIFIED:		NAME	DATE
		DIMENSIONS ARE IN INCHES	DRAWN		
		TOLERANCES:	CHECKED		
		FRACTIONAL ±	ENG APPR.		
		ANGULAR: MACH ± BEND ±	MFG APPR.		
		TWO PLACE DECIMAL ±	Q.A.		
		THREE PLACE DECIMAL ±	COMMENTS:		
		INTERPRET GEOMETRIC TOLERANCING PER:			
		MATERIAL			
NEXT ASSY	USED ON	FINISH			
APPLICATION		DO NOT SCALE DRAWING			

18 GAUGE		
TITLE:		
30-CLM-42X42-48LED-GBK-WF-30K		
SIZE	DWG. NO.	REV
<b>A</b>		
SCALE: 1:15	WEIGHT:	SHEET 5 OF 8



**PROPRIETARY AND CONFIDENTIAL**  
 THE INFORMATION CONTAINED IN THIS DRAWING IS THE SOLE PROPERTY OF <INSERT COMPANY NAME HERE>. ANY REPRODUCTION IN PART OR AS A WHOLE WITHOUT THE WRITTEN PERMISSION OF <INSERT COMPANY NAME HERE> IS PROHIBITED.

		UNLESS OTHERWISE SPECIFIED:		NAME	DATE
		DIMENSIONS ARE IN INCHES	DRAWN		
		TOLERANCES:	CHECKED		
		FRACTIONAL ±	ENG APPR.		
		ANGULAR: MACH ± BEND ±	MFG APPR.		
		TWO PLACE DECIMAL ±	Q.A.		
		THREE PLACE DECIMAL ±	COMMENTS:		
		INTERPRET GEOMETRIC TOLERANCING PER:			
		MATERIAL			
	NEXT ASSY	FINISH			
	USED ON				
	APPLICATION	DO NOT SCALE DRAWING			

<b>18 GAUGE</b>		
TITLE:		
<b>30-CLM-42X42-48LED-GBK-WF-30K</b>		
SIZE	DWG. NO.	REV
<b>A</b>		
SCALE: 1:15	WEIGHT:	SHEET 6 OF 8

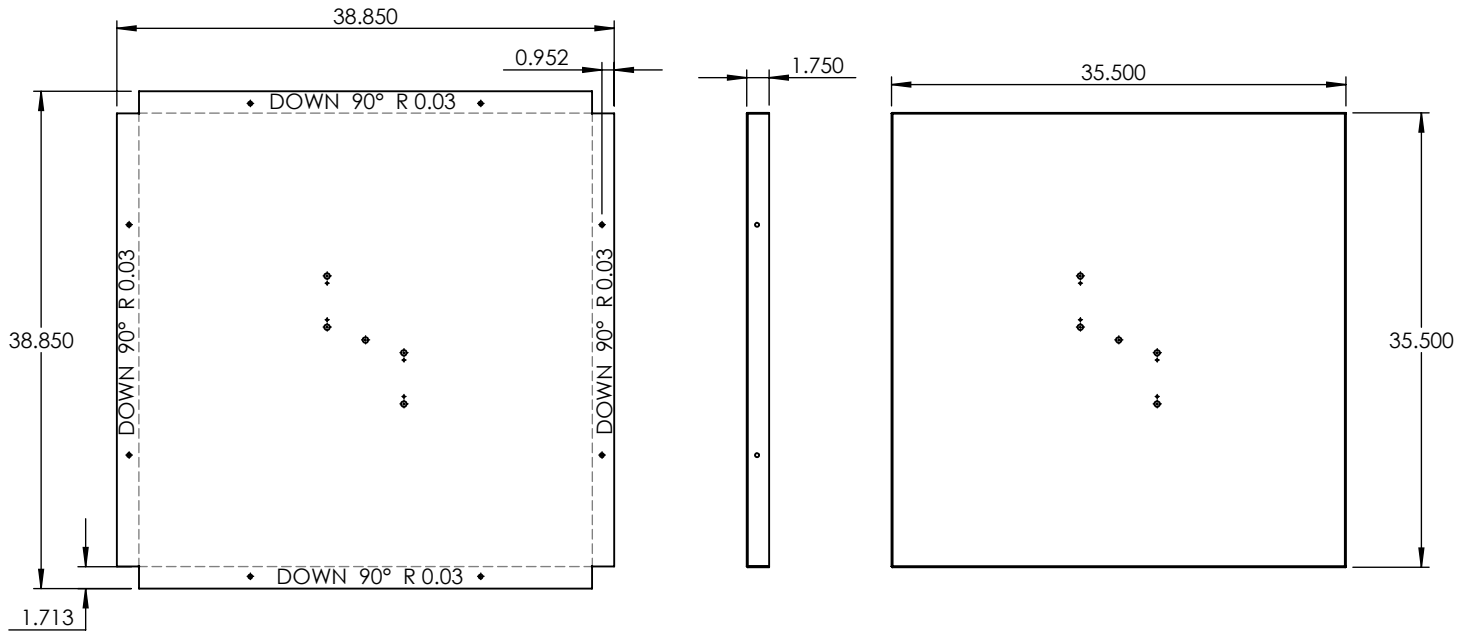
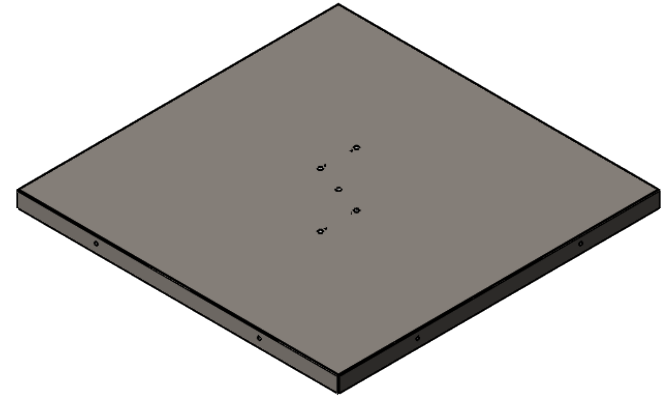
5

4

3

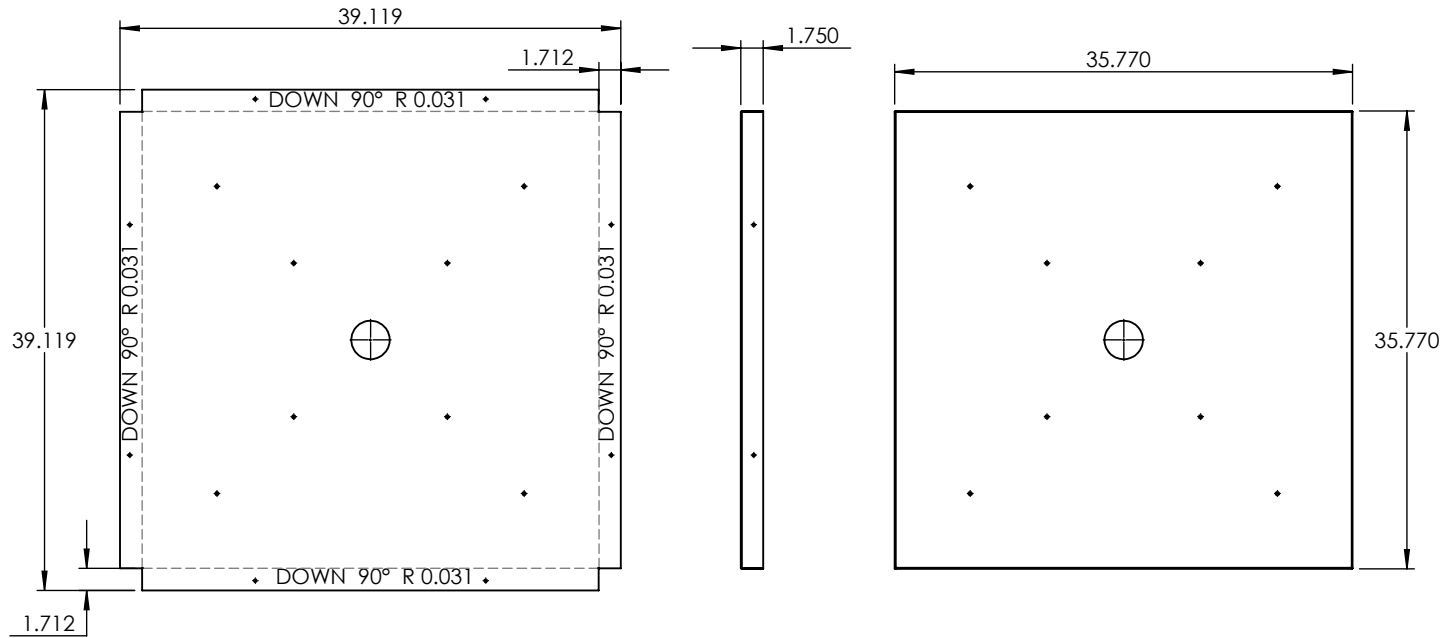
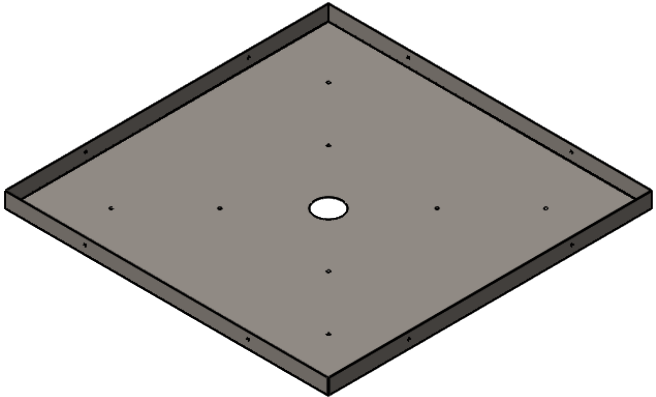
2

1



**PROPRIETARY AND CONFIDENTIAL**  
 THE INFORMATION CONTAINED IN THIS DRAWING IS THE SOLE PROPERTY OF <INSERT COMPANY NAME HERE>. ANY REPRODUCTION IN PART OR AS A WHOLE WITHOUT THE WRITTEN PERMISSION OF <INSERT COMPANY NAME HERE> IS PROHIBITED.

		UNLESS OTHERWISE SPECIFIED:		NAME	DATE	18 GAUGE	
		DIMENSIONS ARE IN INCHES TOLERANCES: FRACTIONAL ± ANGULAR: MACH ± BEND ± TWO PLACE DECIMAL ± THREE PLACE DECIMAL ±	DRAWN				
		INTERPRET GEOMETRIC TOLERANCING PER:	CHECKED			30-CLM-42X42-48LED-GBK-WF-30K	
		MATERIAL	ENG APPR.			SIZE DWG. NO. REV	
	NEXT ASSY	FINISH	MFG APPR.			SCALE: 1:15 WEIGHT: SHEET 7 OF 8	
	APPLICATION	DO NOT SCALE DRAWING	Q.A.				
			COMMENTS:				



**PROPRIETARY AND CONFIDENTIAL**  
 THE INFORMATION CONTAINED IN THIS DRAWING IS THE SOLE PROPERTY OF <INSERT COMPANY NAME HERE>. ANY REPRODUCTION IN PART OR AS A WHOLE WITHOUT THE WRITTEN PERMISSION OF <INSERT COMPANY NAME HERE> IS PROHIBITED.

		UNLESS OTHERWISE SPECIFIED:		NAME	DATE
		DIMENSIONS ARE IN INCHES	DRAWN		
		TOLERANCES:	CHECKED		
		FRACTIONAL ±	ENG APPR.		
		ANGULAR: MACH ± BEND ±	MFG APPR.		
		TWO PLACE DECIMAL ±	Q.A.		
		THREE PLACE DECIMAL ±	COMMENTS:		
		INTERPRET GEOMETRIC TOLERANCING PER:			
		MATERIAL			
		FINISH			
NEXT ASSY	USED ON				
APPLICATION		DO NOT SCALE DRAWING			

18 GAUGE		
TITLE:		
30-CLM-42X42-48LED-GBK-WF-30K		
SIZE	DWG. NO.	REV
<b>A</b>		
SCALE: 1:15	WEIGHT:	SHEET 8 OF 8