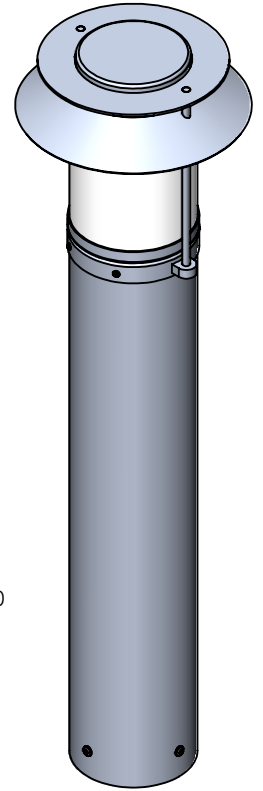
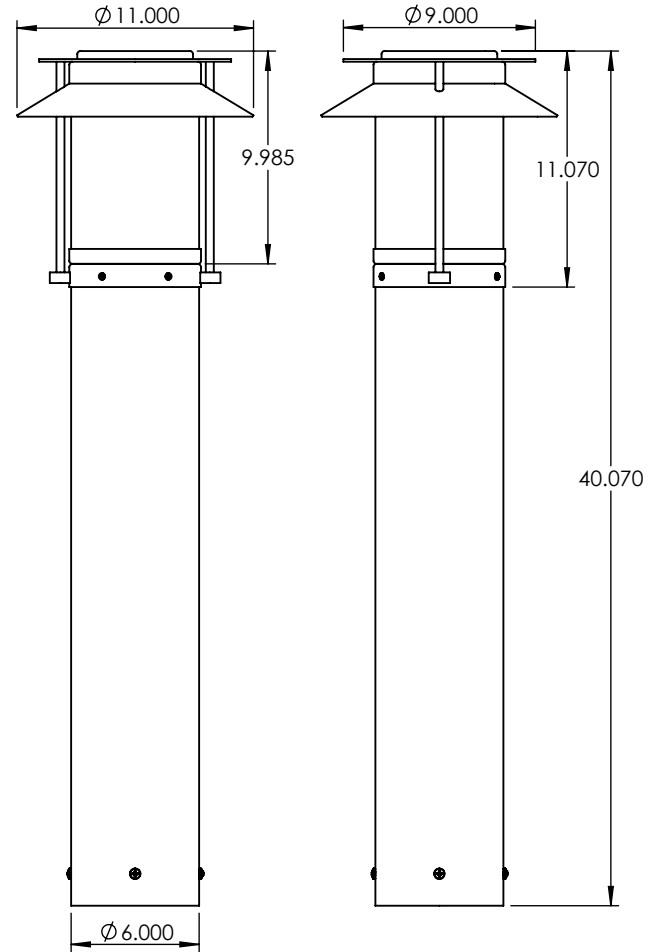
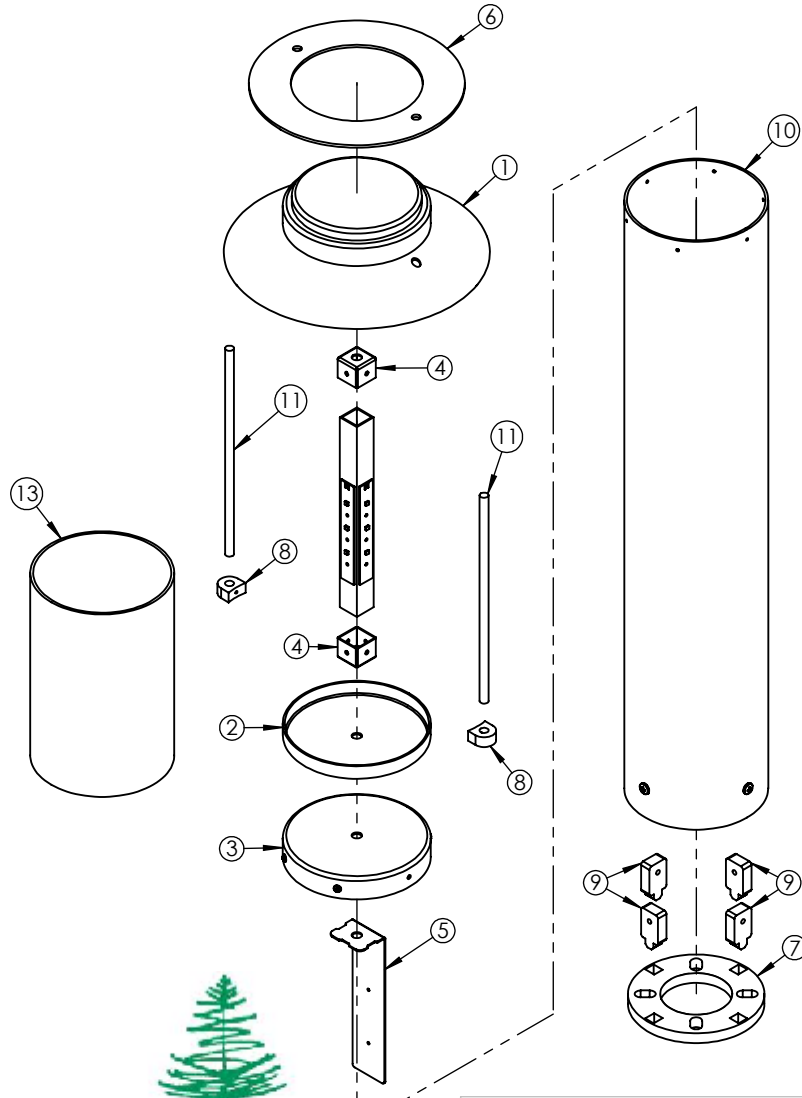


ITEM NO.	PART NUMBER	DESCRIPTION	QTY.	CUT
1	FEN-B-40-12W-AB-WF-30K-SPUN TOP CAP	SPUN ALUMINUM 0.080"	1	
2	FEN-B-40-12W-AB-WF-30K-SPUN CAPS	SPUN ALUMINUM 0.080"	1	
3	FEN-B-40-12W-AB-WF-30K-SPUN CYLINDER FITTER	SPUN ALUMINUM 0.080"	1	
4	FEN-B-40-12W-AB-WF-30K-TUBE BRACKET	ALUMINUM 0.0635"	2	
5	FEN-B-40-12W-AB-WF-30K-DRIVER BRACKET	ALUMINUM 0.0635"	1	
6	FEN-B-40-12W-AB-WF-30K-TOP ROUND ACCENT	ALUMINUM 0.125" PLATE	1	
7	FEN-B-40-12W-AB-WF-30K-ROUND ANCHOR PLATE	ALUMINUM 0.500" PLATE	1	
8	FEN-B-40-12W-AB-WF-30K-ACCENT TAB	ALUMINUM 0.500" PLATE	2	
9	FEN-B-40-12W-AB-WF-30K-ANCHOR TAB	ALUMINUM 0.500" PLATE	4	
10	FEN-B-40-12W-AB-WF-30K-6" CYLINDER	6" ALUMINUM CYLINDER	1	
11	FEN-B-40-12W-AB-WF-30K-ROUND BAR	3/8" ALUMINUM ROUND BAR	2	
12	FEN-B-40-12W-AB-WF-30K-SQUARE TUBE	1" SQR ALUMINUM TUBE	1	
13	FEN-B-40-12W-AB-WF-30K-ACRYLIC	ACRYLIC	1	
14	Espen VEL19070MVH-1	DRIVER	1	
15	AltaILED PN1012 RevD	LED	4	



EVERGREEN LIGHTING

ALL BEND RADIUS .030"

UNLESS OTHERWISE SPECIFIED:

DIMENSIONS ARE IN INCHES
 TOLERANCES:
 FRACTIONAL ± .003
 ANGULAR: MACH ± .01 BEND ±
 TWO PLACE DECIMAL ±
 THREE PLACE DECIMAL ± .001

INTERPRET GEOMETRIC
 TOLERANCING PER:

MATERIAL

FINISH

NAME DATE

DRAWN
 CHECKED
 ENG APPR.
 MFG APPR.

Q.A.
 COMMENTS:

TITLE:

FEN-B-40-12W-AB-WF-30K

SIZE DWG. NO.

A TICKET 24817

REV

SCALE: 1:9 WEIGHT:

SHEET 1 OF 10

5

4

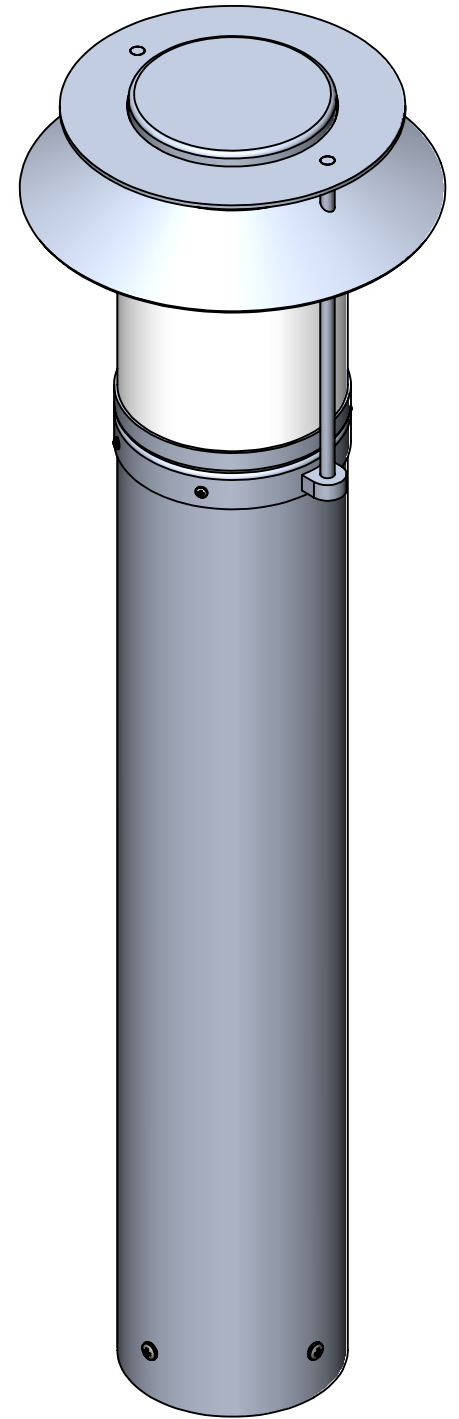
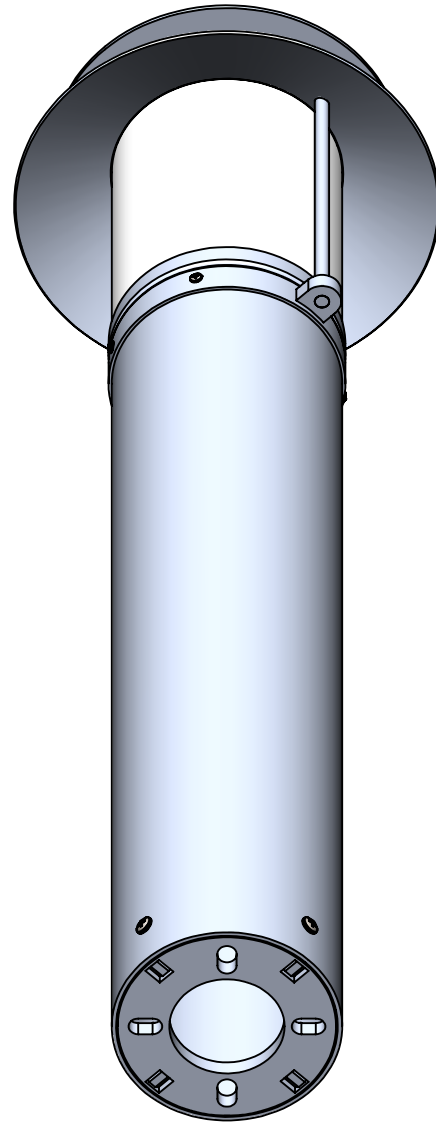
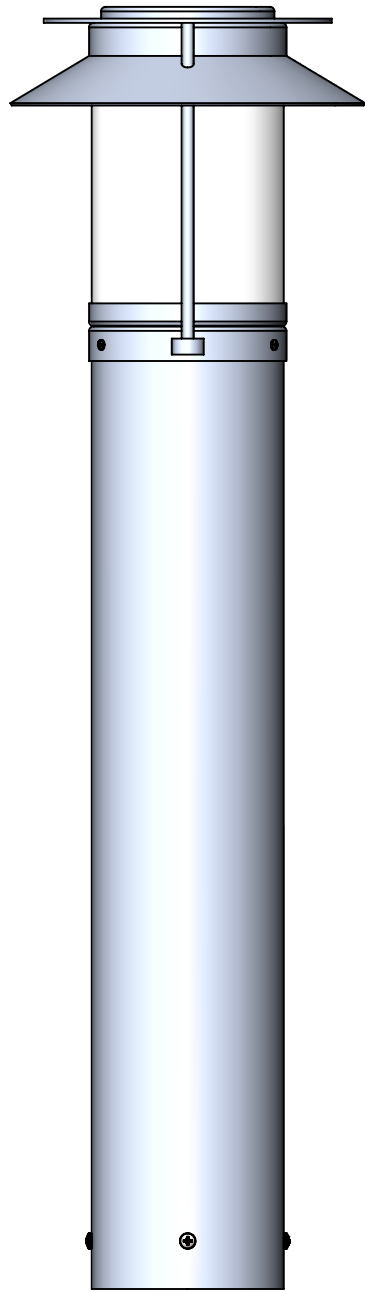
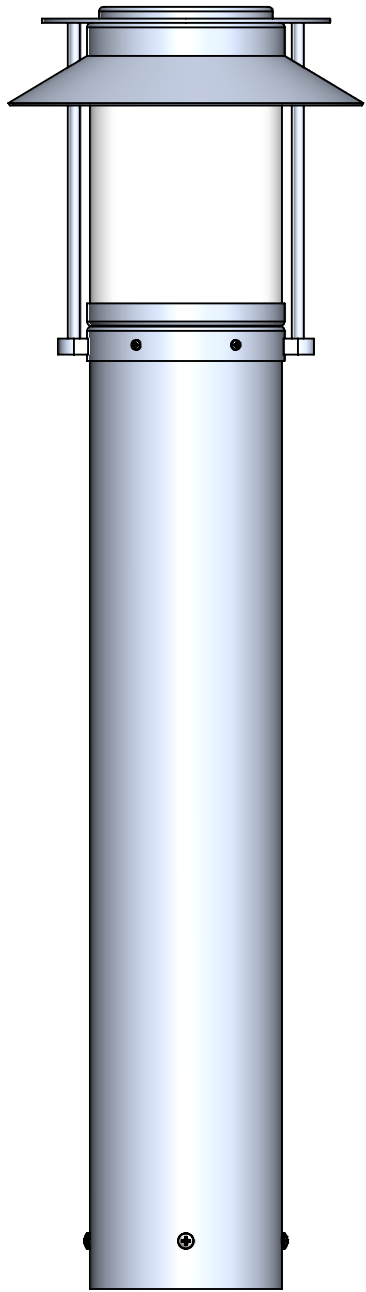
3

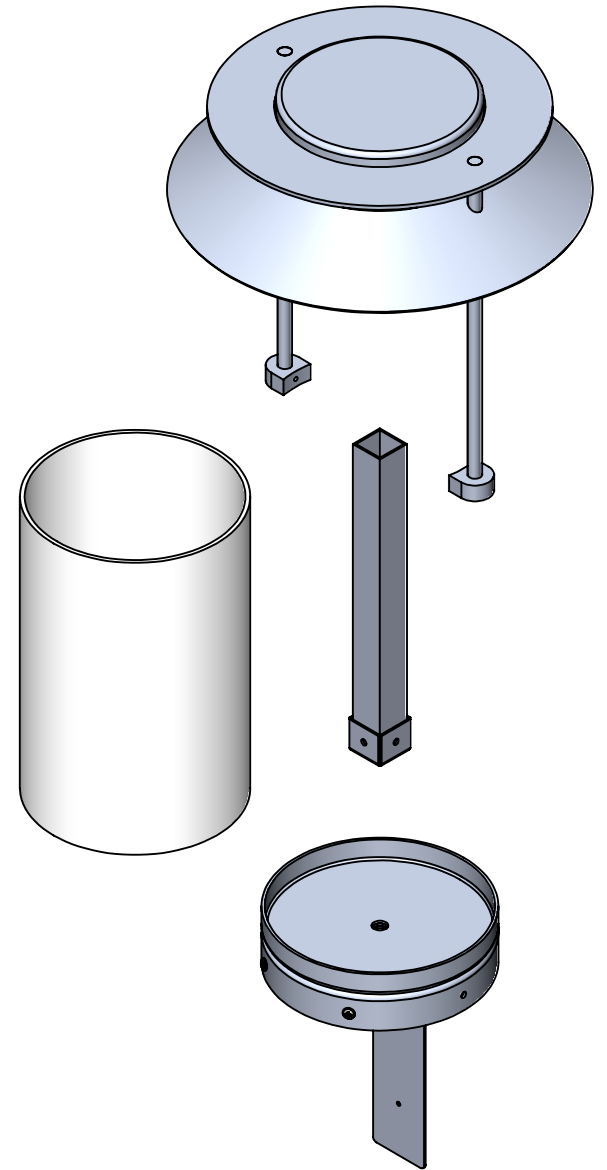
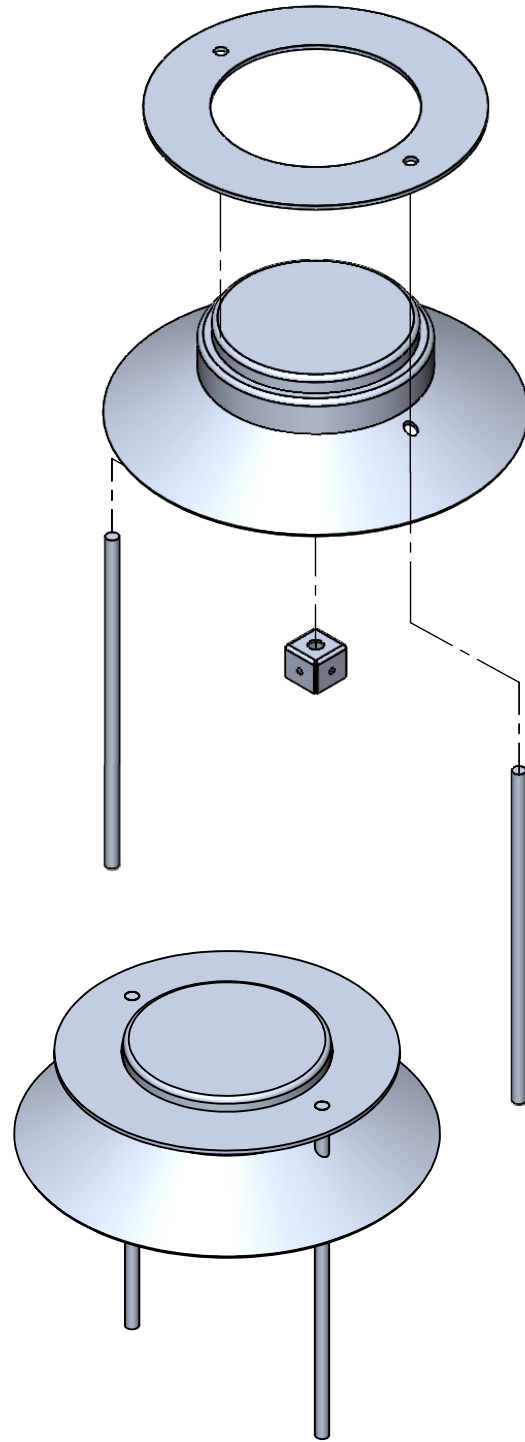
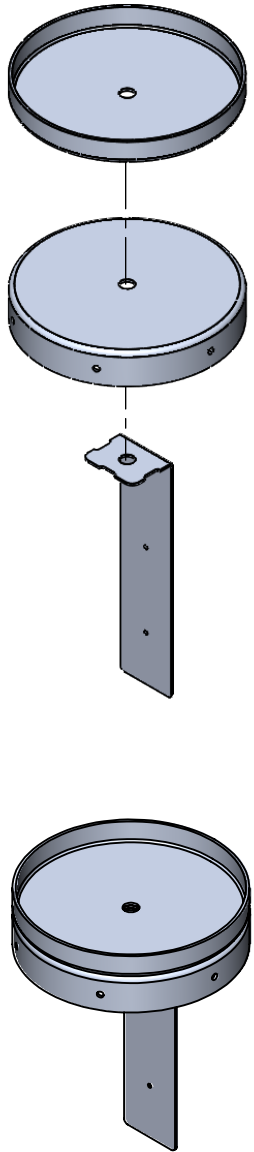
2

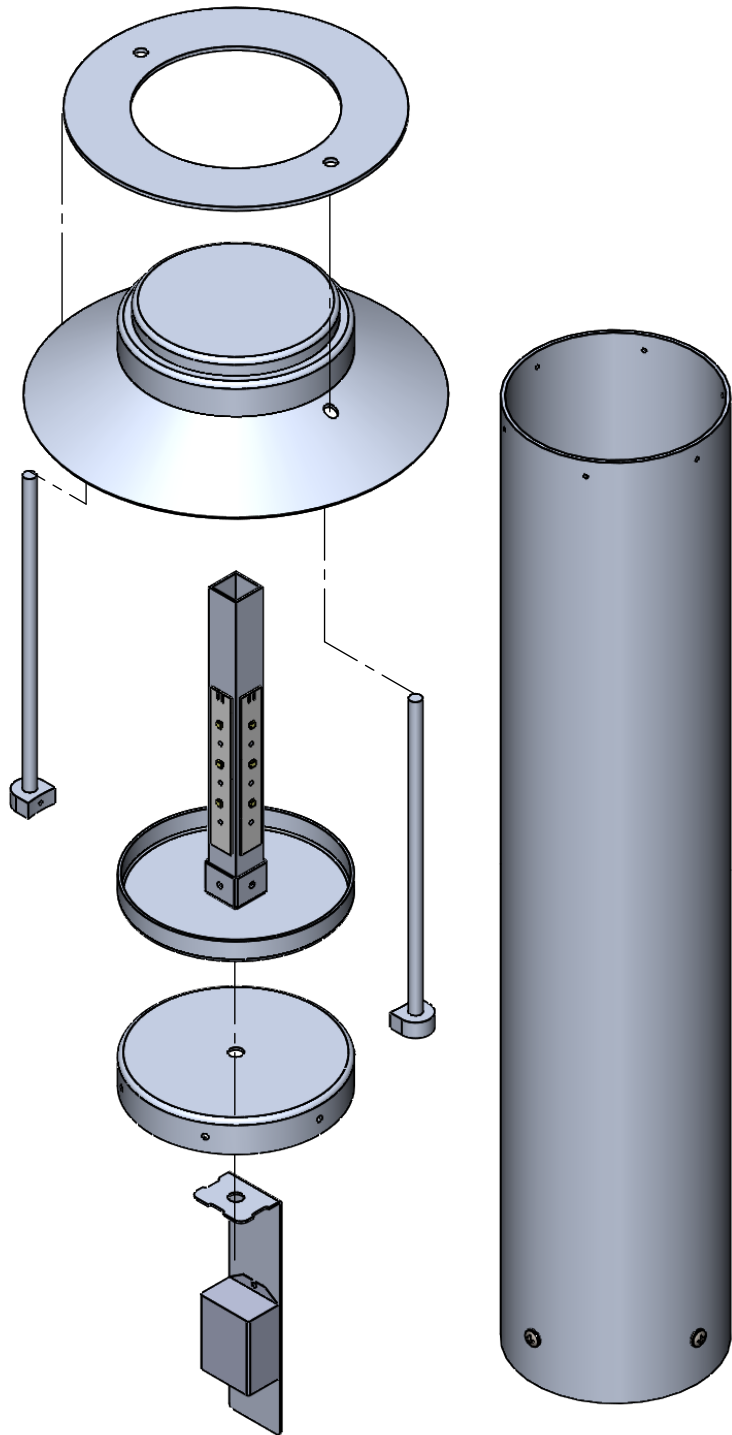
1

APPLICATION

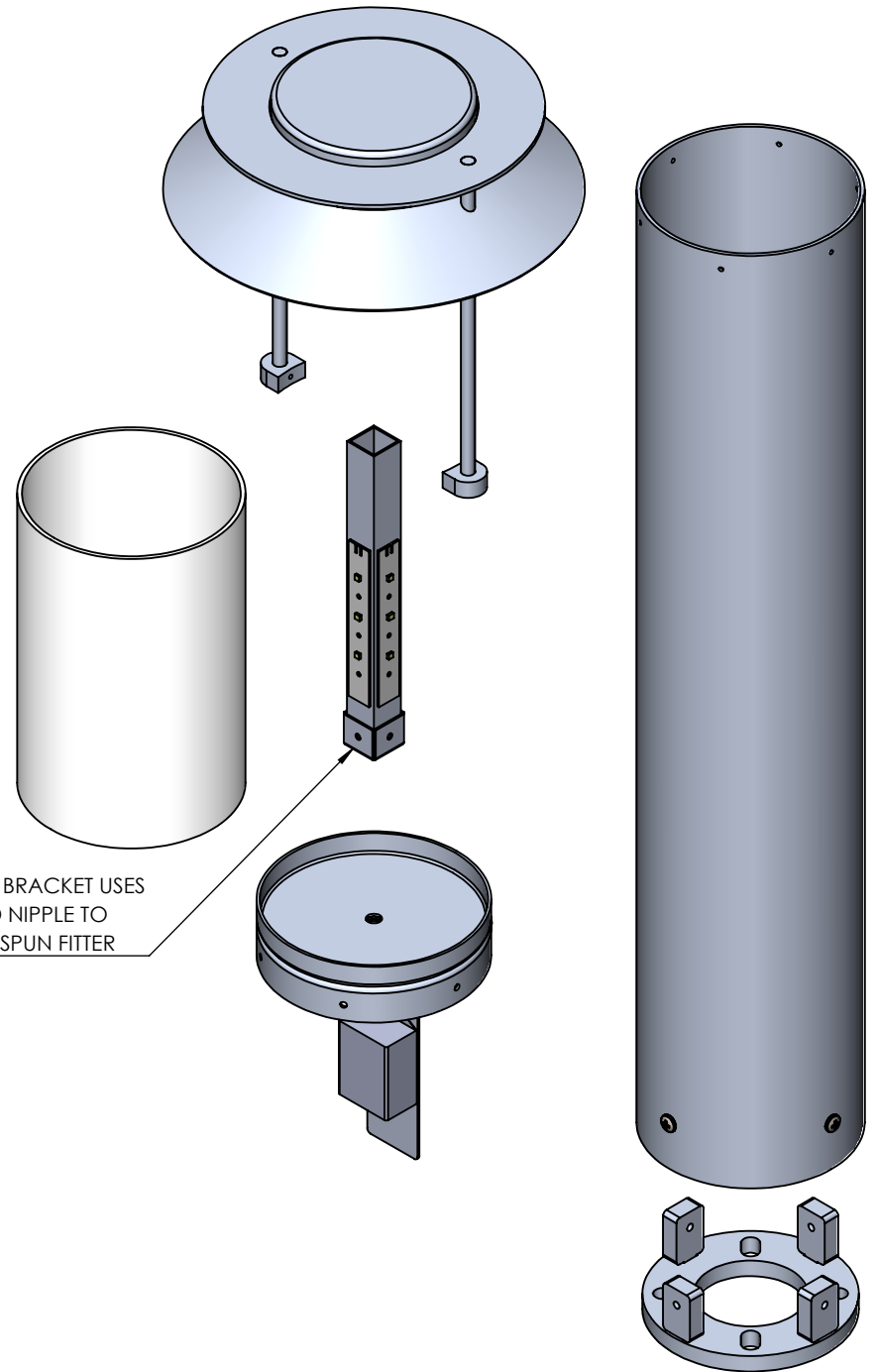
DO NOT SCALE DRAWING

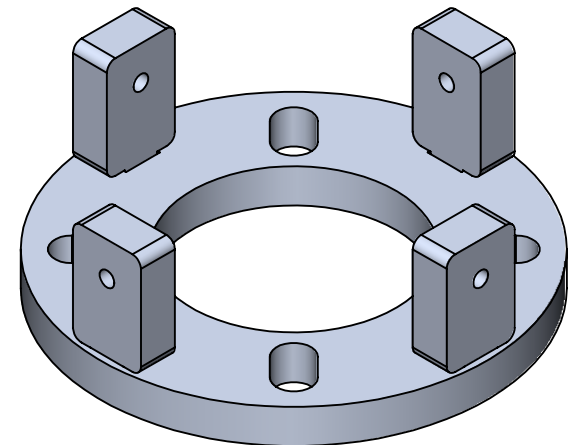
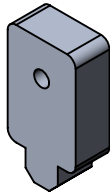
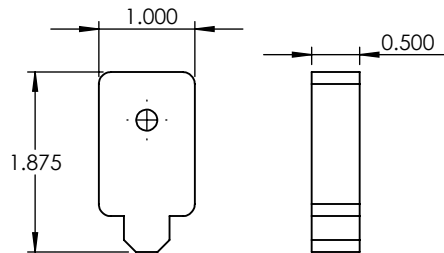
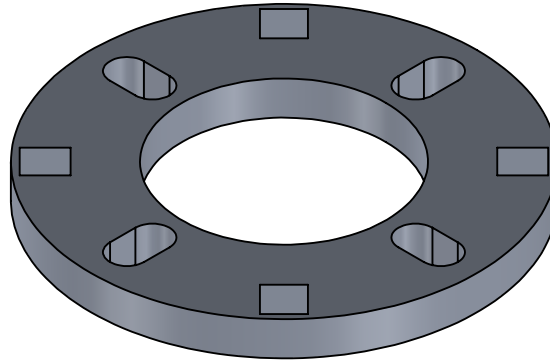
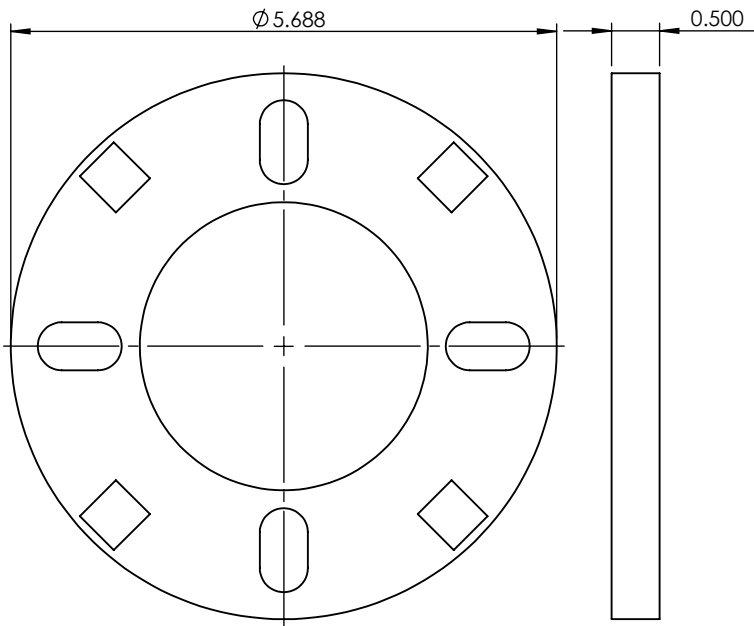






BOTTOM TUBE BRACKET USES
THREADED NIPPLE TO
FASTEN TO SPUN FITTER



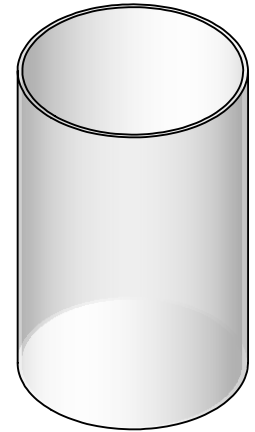
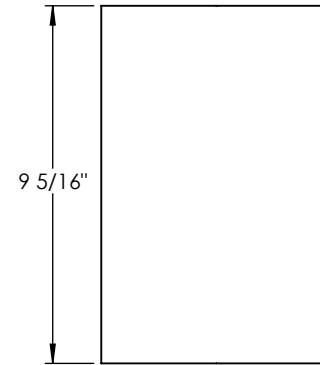
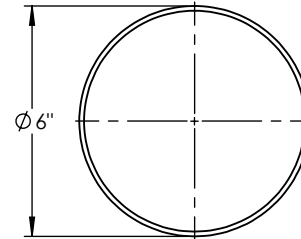
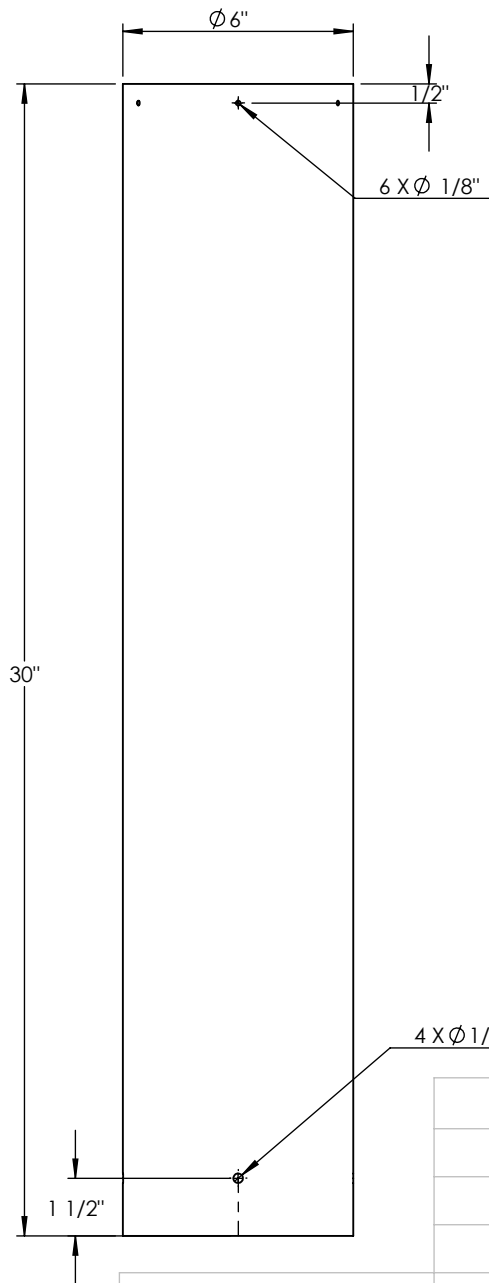


PROPRIETARY AND CONFIDENTIAL
 THE INFORMATION CONTAINED IN THIS DRAWING IS THE SOLE PROPERTY OF <INSERT COMPANY NAME HERE>. ANY REPRODUCTION IN PART OR AS A WHOLE WITHOUT THE WRITTEN PERMISSION OF <INSERT COMPANY NAME HERE> IS PROHIBITED.

NEXT ASSY	USED ON
APPLICATION	

UNLESS OTHERWISE SPECIFIED:	NAME	DATE
DIMENSIONS ARE IN INCHES	DRAWN	
TOLERANCES:	CHECKED	
FRACTIONAL ±	ENG APPR.	
ANGULAR: MACH ± BEND ±	MFG APPR.	
TWO PLACE DECIMAL ±	Q.A.	
THREE PLACE DECIMAL ±	COMMENTS:	
INTERPRET GEOMETRIC TOLERANCING PER:		
MATERIAL		
FINISH		
DO NOT SCALE DRAWING		

ALUMINUM 0.500" PLATE		
TITLE:		
FEN-B-40-12W-AB-WF-30K		
SIZE	DWG. NO.	REV
A		
SCALE: 1:2	WEIGHT:	SHEET 5 OF 10



PROPRIETARY AND CONFIDENTIAL
 THE INFORMATION CONTAINED IN THIS DRAWING IS THE SOLE PROPERTY OF <INSERT COMPANY NAME HERE>. ANY REPRODUCTION IN PART OR AS A WHOLE WITHOUT THE WRITTEN PERMISSION OF <INSERT COMPANY NAME HERE> IS PROHIBITED.

		UNLESS OTHERWISE SPECIFIED:	NAME	DATE
		DIMENSIONS ARE IN INCHES	DRAWN	
		TOLERANCES:	CHECKED	
		FRACTIONAL ±	ENG APPR.	
		ANGULAR: MACH ± BEND ±	MFG APPR.	
		TWO PLACE DECIMAL ±	Q.A.	
		THREE PLACE DECIMAL ±	COMMENTS:	
		INTERPRET GEOMETRIC TOLERANCING PER:		
		MATERIAL		
NEXT ASSY	USED ON	FINISH		
APPLICATION		DO NOT SCALE DRAWING		

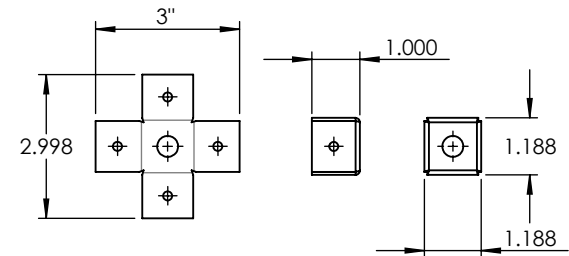
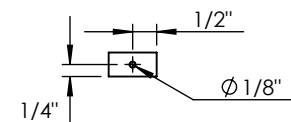
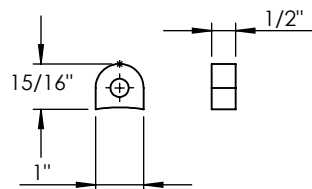
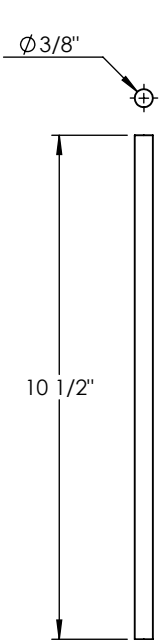
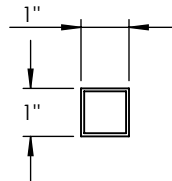
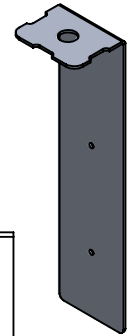
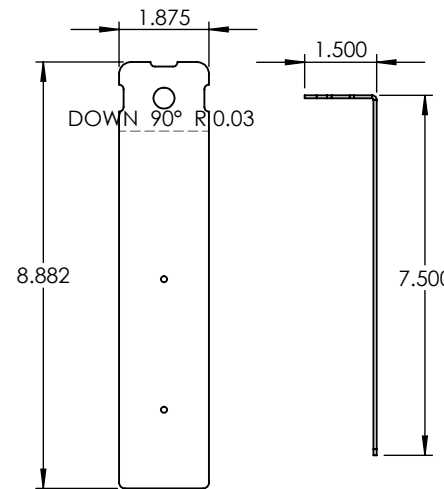
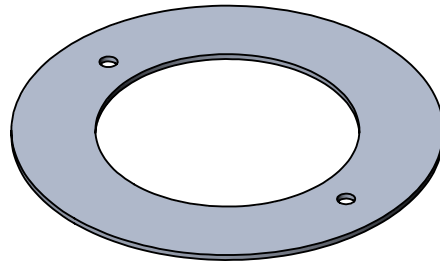
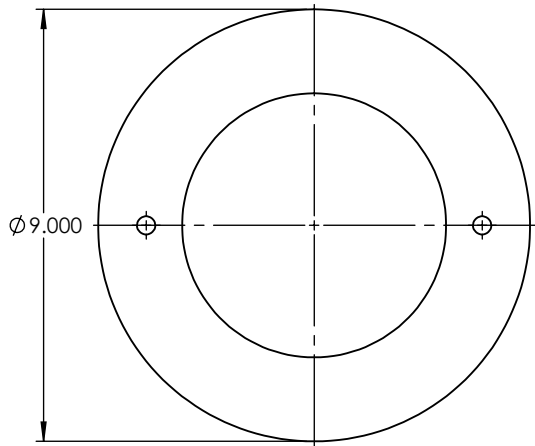
6" ALUMINUM CYLINDER

TITLE:

FEN-B-40-12W-AB-WF-30K

SIZE	DWG. NO.	REV
A		

SCALE: 1:5	WEIGHT:	SHEET 6 OF 10
------------	---------	---------------



UNLESS OTHERWISE SPECIFIED:

DIMENSIONS ARE IN INCHES
 TOLERANCES:
 FRACTIONAL \pm
 ANGULAR: MACH \pm BEND \pm
 TWO PLACE DECIMAL \pm
 THREE PLACE DECIMAL \pm

INTERPRET GEOMETRIC
 TOLERANCING PER:

MATERIAL

FINISH

DO NOT SCALE DRAWING

	NAME	DATE
DRAWN		
CHECKED		
ENG APPR.		
MFG APPR.		
Q.A.		
COMMENTS:		

ALUMINUM 0.125" PLATE

TITLE:

FEN-B-40-12W-AB-WF-30K

SIZE	DWG. NO.	REV
A		

SCALE: 1:4 WEIGHT: SHEET 7 OF 10

PROPRIETARY AND CONFIDENTIAL
 THE INFORMATION CONTAINED IN THIS DRAWING IS THE SOLE PROPERTY OF <INSERT COMPANY NAME HERE>. ANY REPRODUCTION IN PART OR AS A WHOLE WITHOUT THE WRITTEN PERMISSION OF <INSERT COMPANY NAME HERE> IS PROHIBITED.

NEXT ASSY	USED ON	APPLICATION

5

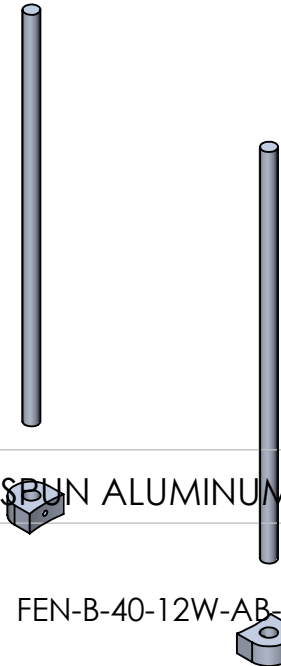
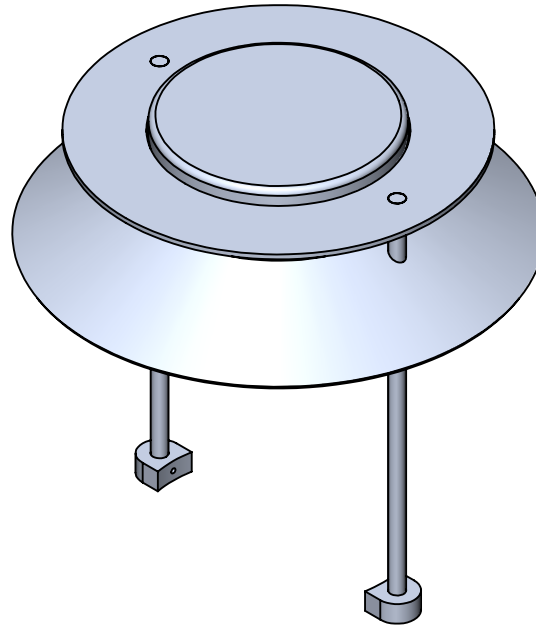
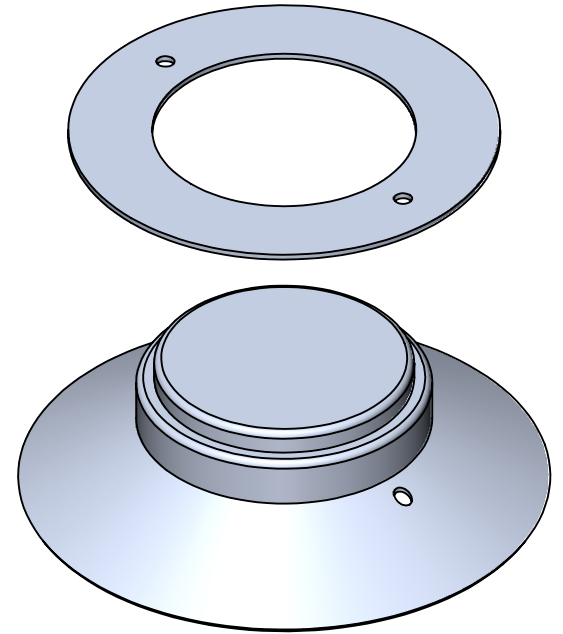
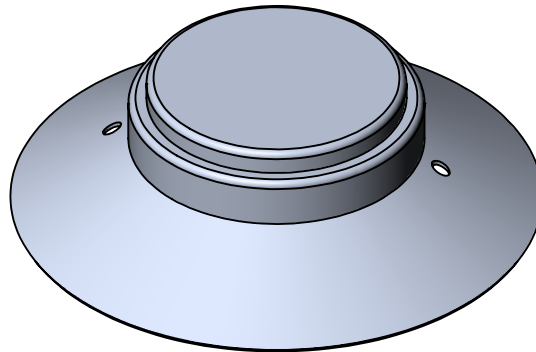
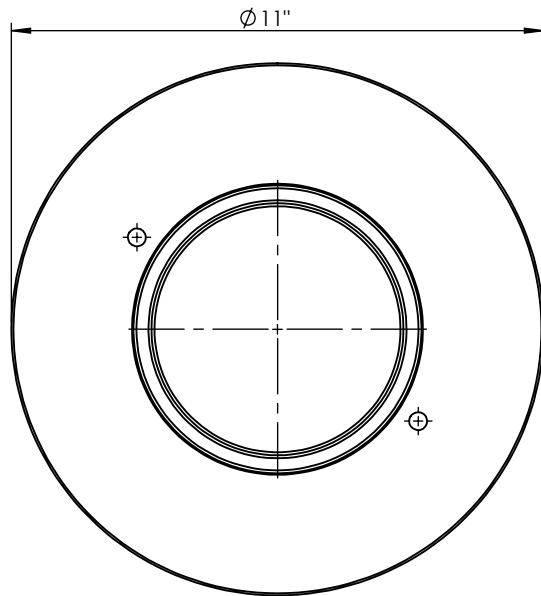
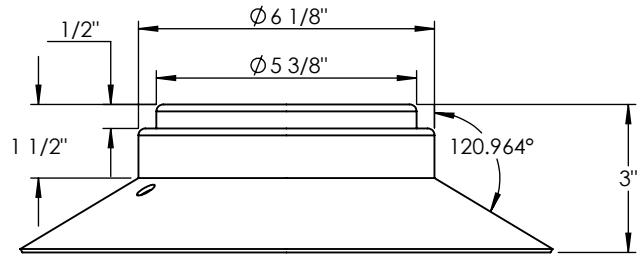
4

3

2

1

ITEM NO.	PART NUMBER	DESCRIPTION	QTY.
1	FEN-B-40-12W-AB-WF-30K-SPUN TOP CAP	SPUN ALUMINUM 0.080"	1

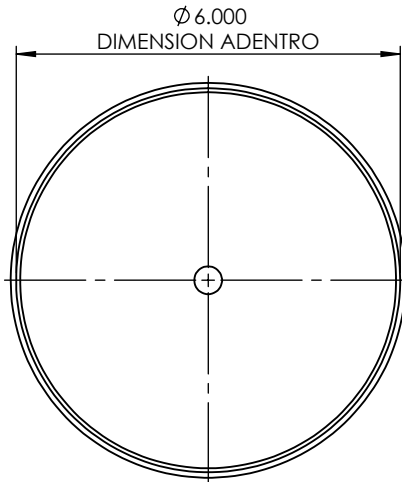
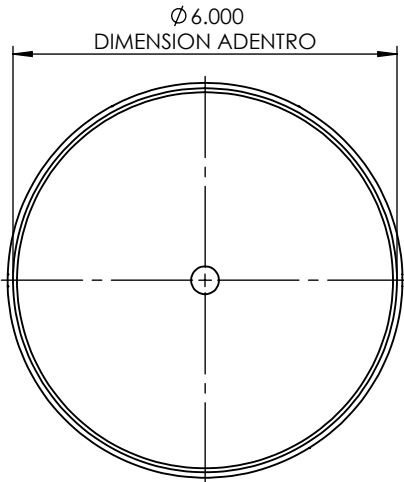
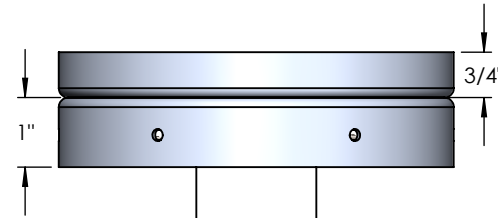
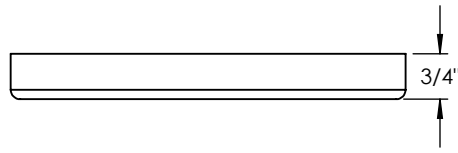
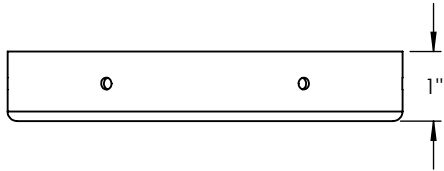
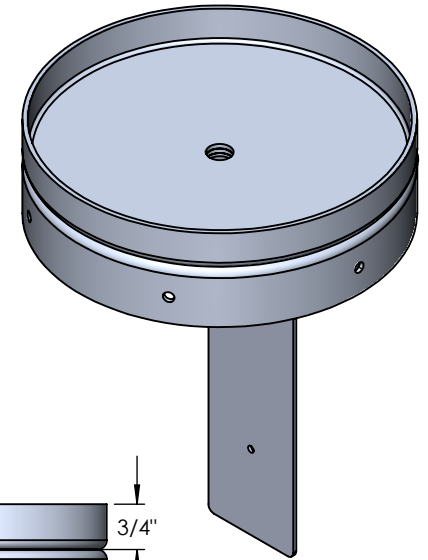
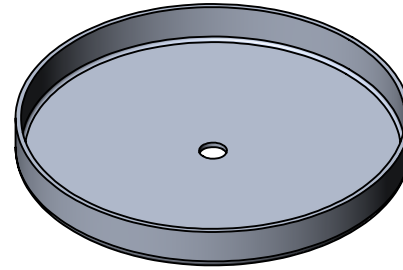
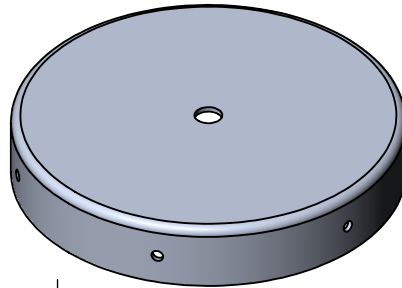


PROPRIETARY AND CONFIDENTIAL
 THE INFORMATION CONTAINED IN THIS DRAWING IS THE SOLE PROPERTY OF <INSERT COMPANY NAME HERE>. ANY REPRODUCTION IN PART OR AS A WHOLE WITHOUT THE WRITTEN PERMISSION OF <INSERT COMPANY NAME HERE> IS PROHIBITED.

		UNLESS OTHERWISE SPECIFIED:		NAME	DATE
		DIMENSIONS ARE IN INCHES	DRAWN		
		TOLERANCES:	CHECKED		
		FRACTIONAL ±	ENG APPR.		
		ANGULAR: MACH ± BEND ±	MFG APPR.		
		TWO PLACE DECIMAL ±	Q.A.		
		THREE PLACE DECIMAL ±	COMMENTS:		
		INTERPRET GEOMETRIC TOLERANCING PER:			
		MATERIAL			
NEXT ASSY	USED ON	FINISH			
APPLICATION		DO NOT SCALE DRAWING			

SPUN ALUMINUM 0.080"		
TITLE:		
FEN-B-40-12W-AB-WF-30K		
SIZE	DWG. NO.	REV
A		
SCALE: 1:4	WEIGHT:	SHEET 8 OF 10

ITEM NO.	PART NUMBER	DESCRIPTION	QTY.
1	FEN-B-40-12W-AB-WF-30K-SPUN CYLINDER FITTER	SPUN ALUMINUM 0.080"	1
ITEM NO.	PART NUMBER	DESCRIPTION	QTY.
1	FEN-B-40-12W-AB-WF-30K-SPUN CAPS	SPUN ALUMINUM 0.080"	1



PROPRIETARY AND CONFIDENTIAL
 THE INFORMATION CONTAINED IN THIS DRAWING IS THE SOLE PROPERTY OF <INSERT COMPANY NAME HERE>. ANY REPRODUCTION IN PART OR AS A WHOLE WITHOUT THE WRITTEN PERMISSION OF <INSERT COMPANY NAME HERE> IS PROHIBITED.

		UNLESS OTHERWISE SPECIFIED:		NAME	DATE
		DIMENSIONS ARE IN INCHES	DRAWN		
		TOLERANCES:	CHECKED		
		FRACTIONAL ±	ENG APPR.		
		ANGULAR: MACH ± BEND ±	MFG APPR.		
		TWO PLACE DECIMAL ±	Q.A.		
		THREE PLACE DECIMAL ±	COMMENTS:		
		INTERPRET GEOMETRIC TOLERANCING PER:			
		MATERIAL			
NEXT ASSY	USED ON	FINISH			
APPLICATION		DO NOT SCALE DRAWING			

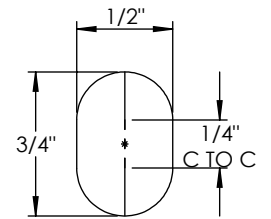
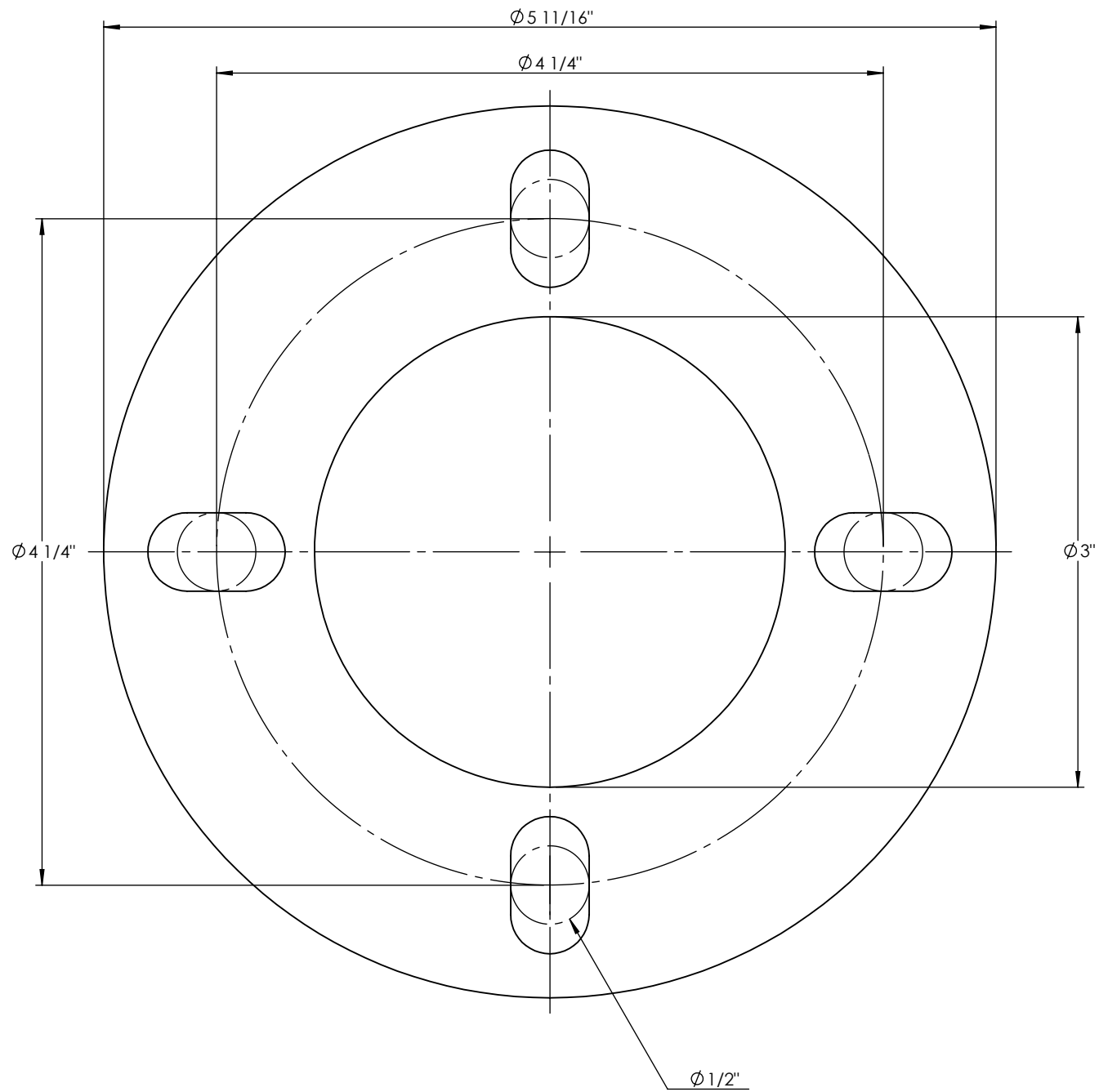
SPUN ALUMINUM 0.080"

TITLE:

FEN-B-40-12W-AB-WF-30K

SIZE	DWG. NO.	REV
A		

SCALE: 1:3 WEIGHT: SHEET 9 OF 10



SLOT DIMENSIONS