

| ITEM NO. | PART NUMBER | DESCRIPTION | QTY. | CUT |
|----------|---|-------------------------|------|-----|
| 1 | GLB-18"-BOL-16W-ORB-A-DIM-41K-3" CYLINDER POST | 3" ALUMINUM TUBE POST | 1 | |
| 2 | GLB-18"-BOL-16W-ORB-A-DIM-41K-ANCHOR PLATE | ALUMINUM 0.500" PLATE | 1 | |
| 3 | GLB-18"-BOL-16W-ORB-A-DIM-41K-SPUN ANCHOR COVER | SPUN ALUMINUM 0.080" | 2 | |
| 4 | GLB-18"-BOL-16W-ORB-A-DIM-41K-ANCHOR BRACKET | ALUMINUM 0.0635" | 2 | |
| 5 | GLB-18"-BOL-16W-ORB-A-DIM-41K-SQUARE TUBE BRACKET | 22 GAUGE | 1 | |
| 6 | GLB-18"-BOL-16W-ORB-A-DIM-41K-DRIVER BRACKET | 22 GAUGE | 1 | |
| 7 | GLB-18"-BOL-16W-ORB-A-DIM-41K-GLOBE BRACKET | CAST STEEL BRACKET | 1 | |
| 8 | GLB-18"-BOL-16W-ORB-A-DIM-41K-ACRYLIC GLOBE | ACRYLIC GLOBE | 1 | |
| 9 | GLB-18"-BOL-16W-ORB-A-DIM-41K-NIPPLE | NIPPLE | 1 | |
| 10 | GLB-18"-BOL-16W-ORB-A-DIM-41K-SQUARE TUBE | 1" SQR ALUMINUM TUBE | 1 | |
| 11 | | SMALL NUT | 1 | |
| 12 | | KTLD-25-UV-700-VDIM-LA1 | 1 | |
| 13 | | AlTailed_PN1010_RevD | 4 | |

UNLESS OTHERWISE SPECIFIED:

DIMENSIONS ARE IN INCHES
 TOLERANCES:
 FRACTIONAL ± .003
 ANGULAR: MACH ± .01 BEND ±
 TWO PLACE DECIMAL ±
 THREE PLACE DECIMAL ± .001

INTERPRET GEOMETRIC
 TOLERANCING PER:

MATERIAL

FINISH

NAME DATE

DRAWN

CHECKED

ENG APPR.

MFG APPR.

Q.A.

COMMENTS:

TITLE:

GLB-18"-BOL-16W-ORB-A-DIM-41K

SIZE DWG. NO.

A TICKET 24681

REV

SCALE: 1:10 WEIGHT:

SHEET 1 OF 5



ALL BEND RADIUS .030"

APPLICATION

DO NOT SCALE DRAWING

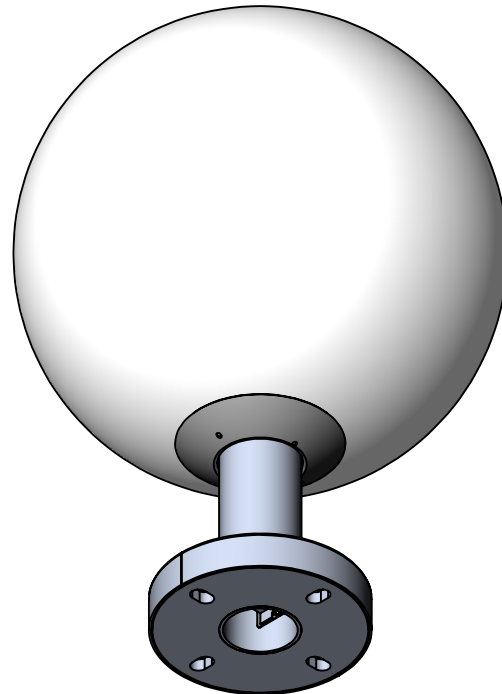
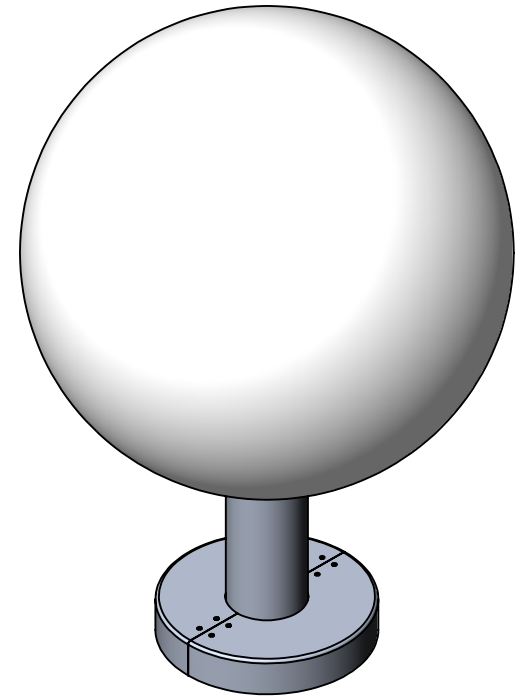
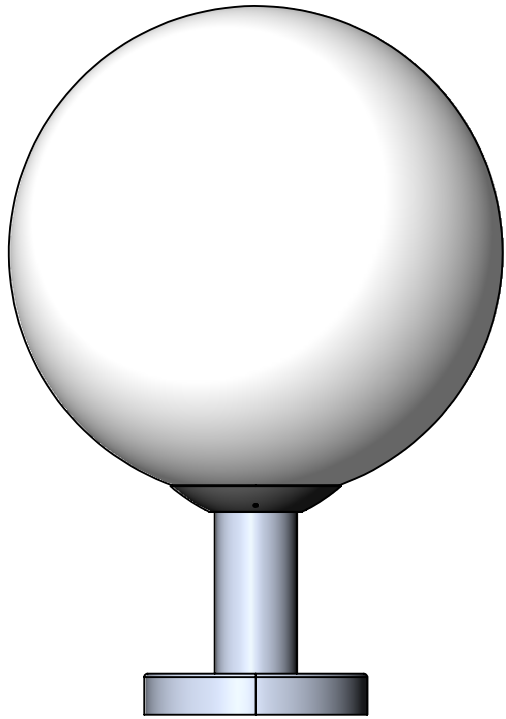
5

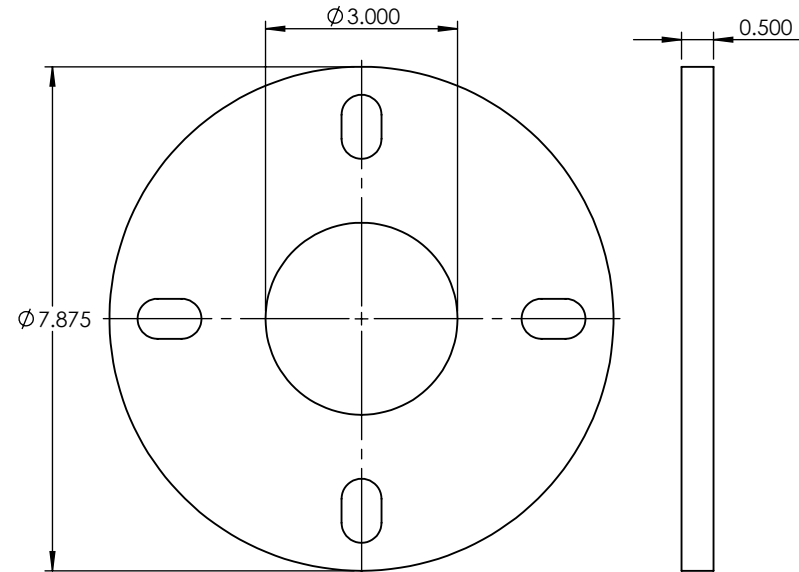
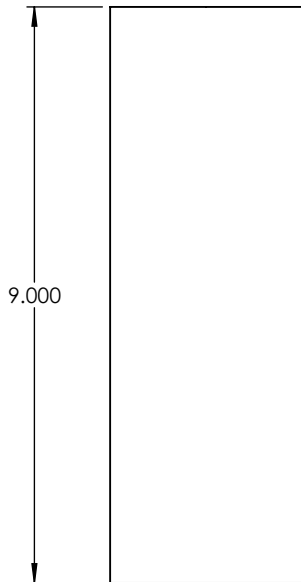
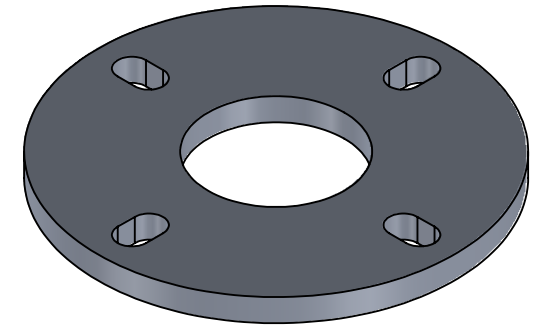
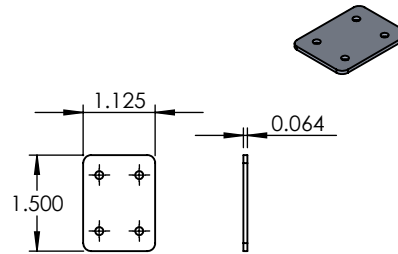
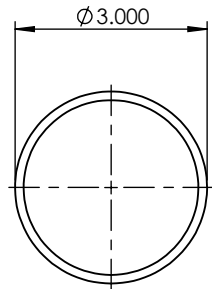
4

3

2

1





PROPRIETARY AND CONFIDENTIAL
 THE INFORMATION CONTAINED IN THIS DRAWING IS THE SOLE PROPERTY OF <INSERT COMPANY NAME HERE>. ANY REPRODUCTION IN PART OR AS A WHOLE WITHOUT THE WRITTEN PERMISSION OF <INSERT COMPANY NAME HERE> IS PROHIBITED.

| | | | | | |
|-------------|---------|--------------------------------------|-----------|------|------|
| | | UNLESS OTHERWISE SPECIFIED: | | NAME | DATE |
| | | DIMENSIONS ARE IN INCHES | DRAWN | | |
| | | TOLERANCES: | CHECKED | | |
| | | FRACTIONAL ± | ENG APPR. | | |
| | | ANGULAR: MACH ± BEND ± | MFG APPR. | | |
| | | TWO PLACE DECIMAL ± | Q.A. | | |
| | | THREE PLACE DECIMAL ± | COMMENTS: | | |
| | | INTERPRET GEOMETRIC TOLERANCING PER: | | | |
| | | MATERIAL | | | |
| NEXT ASSY | USED ON | FINISH | | | |
| APPLICATION | | DO NOT SCALE DRAWING | | | |

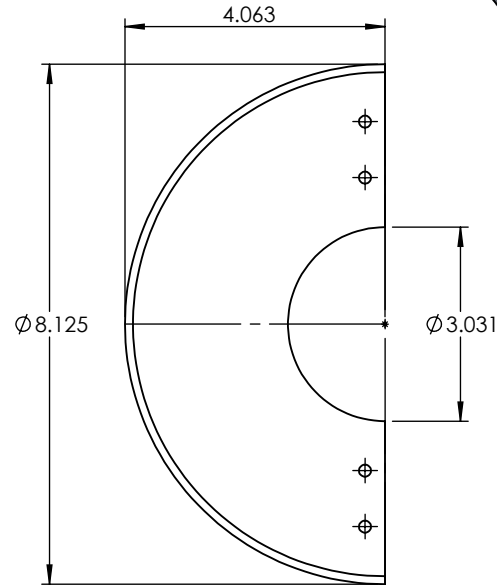
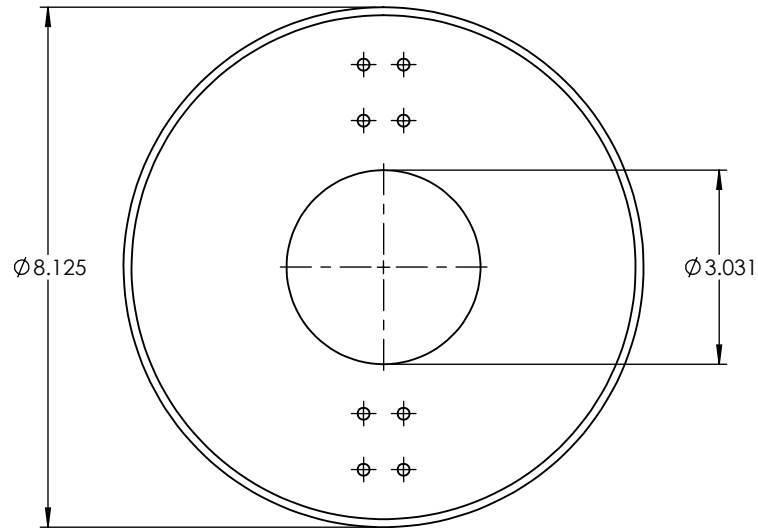
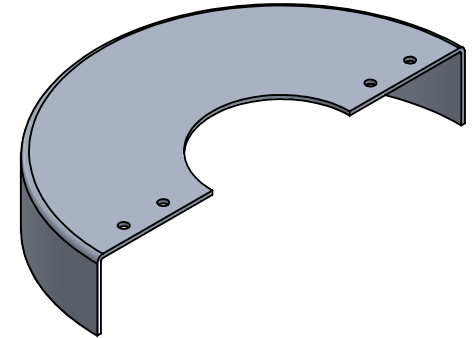
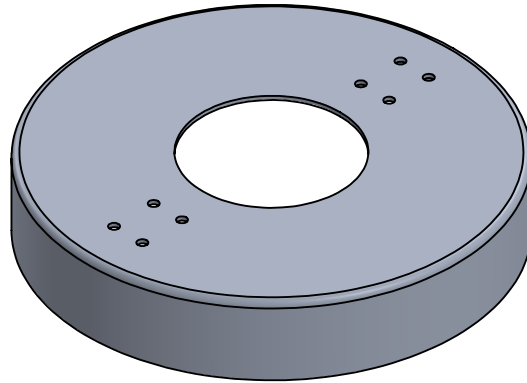
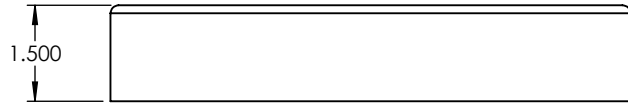
3" ALUMINUM TUBE POST

TITLE:
GLB-18"-BOL-16W-ORB-A-DIM-41K

SIZE **A** DWG. NO. REV

SCALE: 1:3 WEIGHT: SHEET 3 OF 5

| ITEM NO. | PART NUMBER | DESCRIPTION | QTY. |
|----------|---|----------------------|------|
| 1 | GLB-18"-BOL-16W-ORB-A-DIM-41K-SPUN ANCHOR COVER | SPUN ALUMINUM 0.080" | 1 |



PROPRIETARY AND CONFIDENTIAL
 THE INFORMATION CONTAINED IN THIS DRAWING IS THE SOLE PROPERTY OF <INSERT COMPANY NAME HERE>. ANY REPRODUCTION IN PART OR AS A WHOLE WITHOUT THE WRITTEN PERMISSION OF <INSERT COMPANY NAME HERE> IS PROHIBITED.

| | | UNLESS OTHERWISE SPECIFIED: | NAME | DATE |
|-------------|---------|---|-----------|------|
| | | DIMENSIONS ARE IN INCHES TOLERANCES: FRACTIONAL ± ANGULAR: MACH ± BEND ± TWO PLACE DECIMAL ± THREE PLACE DECIMAL ± | DRAWN | |
| | | INTERPRET GEOMETRIC TOLERANCING PER: | CHECKED | |
| | | MATERIAL | ENG APPR. | |
| | | FINISH | MFG APPR. | |
| NEXT ASSY | USED ON | | Q.A. | |
| | | | COMMENTS: | |
| APPLICATION | | DO NOT SCALE DRAWING | | |

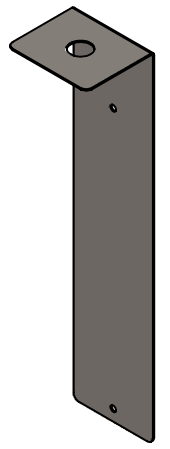
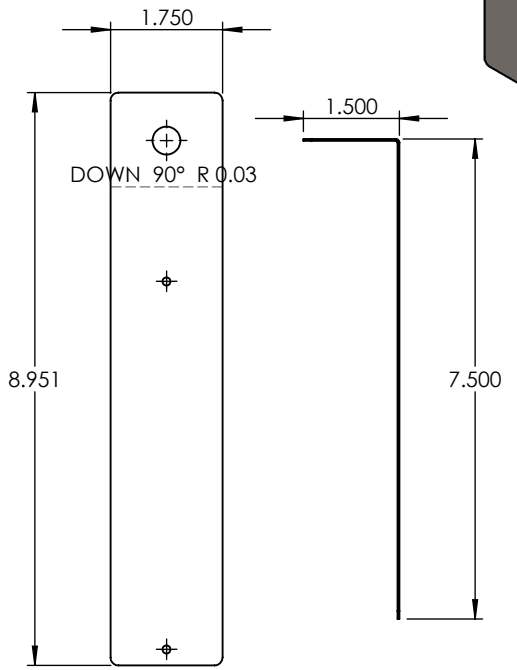
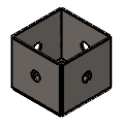
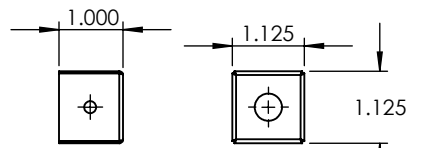
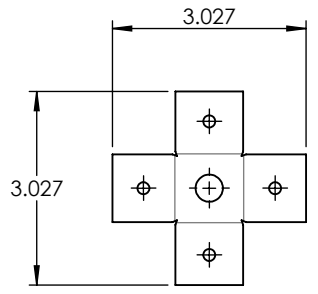
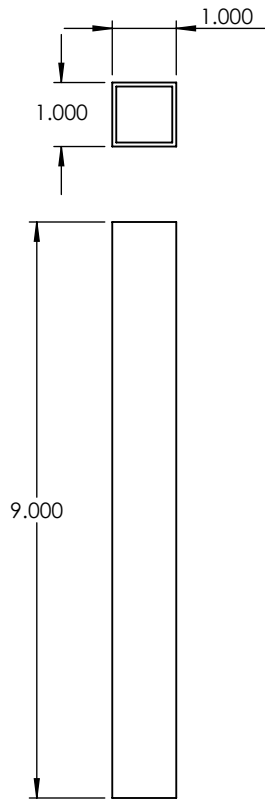
SPUN ALUMINUM 0.080"

TITLE:

GLB-18"-BOL-16W-ORB-A-DIM-41K

| | | |
|----------|----------|-----|
| SIZE | DWG. NO. | REV |
| A | | |

| | | |
|------------|---------|--------------|
| SCALE: 1:3 | WEIGHT: | SHEET 4 OF 5 |
|------------|---------|--------------|



PROPRIETARY AND CONFIDENTIAL
 THE INFORMATION CONTAINED IN THIS DRAWING IS THE SOLE PROPERTY OF <INSERT COMPANY NAME HERE>. ANY REPRODUCTION IN PART OR AS A WHOLE WITHOUT THE WRITTEN PERMISSION OF <INSERT COMPANY NAME HERE> IS PROHIBITED.

| | | | | |
|-------------|----------------------|--------------------------------------|-----------|------|
| | | UNLESS OTHERWISE SPECIFIED: | NAME | DATE |
| | | DIMENSIONS ARE IN INCHES | DRAWN | |
| | | TOLERANCES: | CHECKED | |
| | | FRACTIONAL ± | ENG APPR. | |
| | | ANGULAR: MACH ± BEND ± | MFG APPR. | |
| | | TWO PLACE DECIMAL ± | Q.A. | |
| | | THREE PLACE DECIMAL ± | COMMENTS: | |
| | | INTERPRET GEOMETRIC TOLERANCING PER: | | |
| | | MATERIAL | | |
| | | FINISH | | |
| NEXT ASSY | USED ON | | | |
| APPLICATION | DO NOT SCALE DRAWING | | | |

| | | |
|-------------------------------|----------|--------------|
| 22 GAUGE | | |
| TITLE: | | |
| GLB-18"-BOL-16W-ORB-A-DIM-41K | | |
| SIZE | DWG. NO. | REV |
| A | | |
| SCALE: 1:3 | WEIGHT: | SHEET 5 OF 5 |

5

4

3

2

1