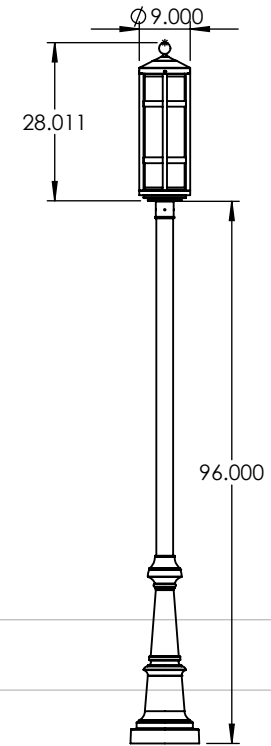


ITEM NO.	PART NUMBER	DESCRIPTION	QTY.	CUT
1	CYL-PST24X9-120W-MBK-WF-DIM-8AB3-X442-41K-CAST BASE	CAST ALUMINUM	1	
2	CYL-PST24X9-120W-MBK-WF-DIM-8AB3-X442-41K-3" CYLINDER POST	3" ALUMINUM TUBE	1	
3	POST FITTER	3" ALUMINUM POST FITTER	1	
4	CYL-PST24X9-120W-MBK-WF-DIM-8AB3-X442-41K-SPUN BASE	SPUN ALUMINUM 0.080"	1	
5	CYL-PST24X9-120W-MBK-WF-DIM-8AB3-X442-41K-SPUN BASE COVER	SPUN ALUMINUM 0.080"	1	
6	CYL-PST24X9-120W-MBK-WF-DIM-8AB3-X442-41K-SPUN LENS CAP	SPUN ALUMINUM 0.080"	2	
7	CYL-PST24X9-120W-MBK-WF-DIM-8AB3-X442-41K-SPUN SHADE COVER	SPUN ALUMINUM 0.080"	1	
8	CYL-PST24X9-120W-MBK-WF-DIM-8AB3-X442-41K-SHADE	SPUN ALUMINUM 0.080"	1	
9	CYL-PST24X9-120W-MBK-WF-DIM-8AB3-X442-41K-DRIVER BRACKET	ALUMINUM 0.0635"	1	
10	CYL-PST24X9-120W-MBK-WF-DIM-8AB3-X442-41K-TUBE BRACKET	ALUMINUM 0.0635"	2	
11	CYL-PST24X9-120W-MBK-WF-DIM-8AB3-X442-41K-MOUNT PLATE	ALUMINUM 0.125" PLATE	1	
12	CYL-PST24X9-120W-MBK-WF-DIM-8AB3-X442-41K-0.625" ROUND TUBE	5/8" ROUND ALUMINUM TUBE	1	
13	CYL-PST24X9-120W-MBK-WF-DIM-8AB3-X442-41K-0.750" ALUMINUM BAR	3/4" ALUMINUM ROUND BAR	4	
14	CYL-PST24X9-120W-MBK-WF-DIM-8AB3-X442-41K-SQUARE TUBE	1-1/2" SQUARE ALUMINUM TUBE	1	
15	CYL-PST24X9-120W-MBK-WF-DIM-8AB3-X442-41K-ROLLED FLAT BAR	1" X 1/8" ALUMINUM FLAT BAR	2	
16	CYL-PST24X9-120W-MBK-WF-DIM-8AB3-X442-41K-ACRYLIC	ACRYLIC	1	
17	CYL-PST24X9-120W-MBK-WF-DIM-8AB3-X442-41K-NIPPLE	NIPPLE	1	
18	2" STEEL BALL	1" BRASS BALL	1	
19	KTLD-25-UV-700-VDIM-LA1	DRIVER	4	
20	AltIdLED_PN1004RevD	LED	16	



ALL BEND RADIUS .030"

UNLESS OTHERWISE SPECIFIED:

DIMENSIONS ARE IN INCHES
 TOLERANCES:
 FRACTIONAL ± .003
 ANGULAR: MACH ± .01 BEND ±
 TWO PLACE DECIMAL ±
 THREE PLACE DECIMAL ± .001

INTERPRET GEOMETRIC
 TOLERANCING PER:

MATERIAL

FINISH

APPLICATION

DO NOT SCALE DRAWING

NAME

DATE

TITLE:

CYL-PST24X9-120W-MBK-WF-DIM-8AB3-X442-41K

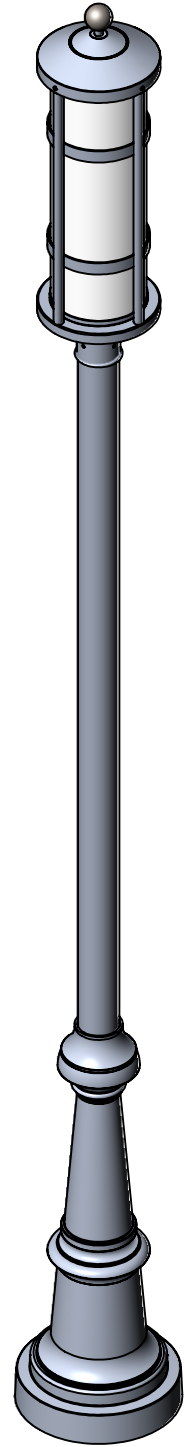
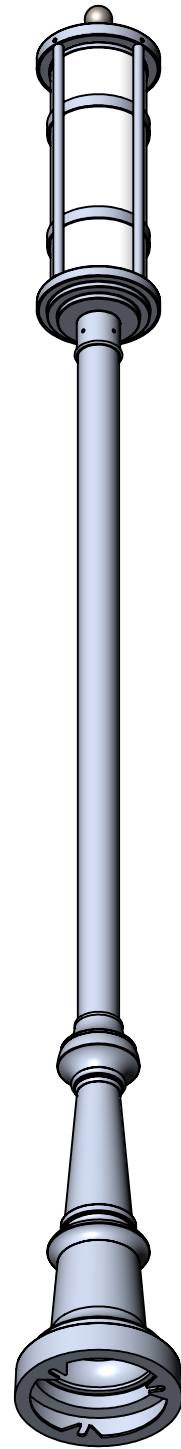
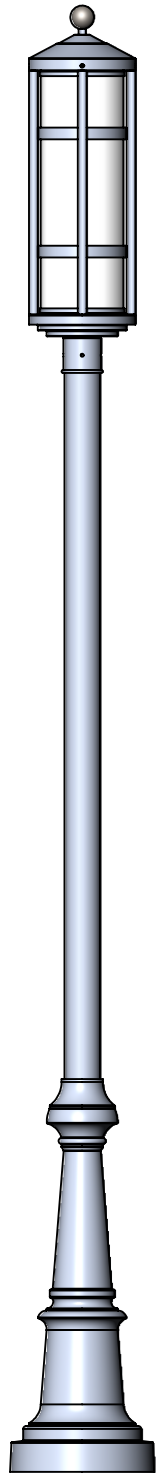
SIZE DWG. NO.

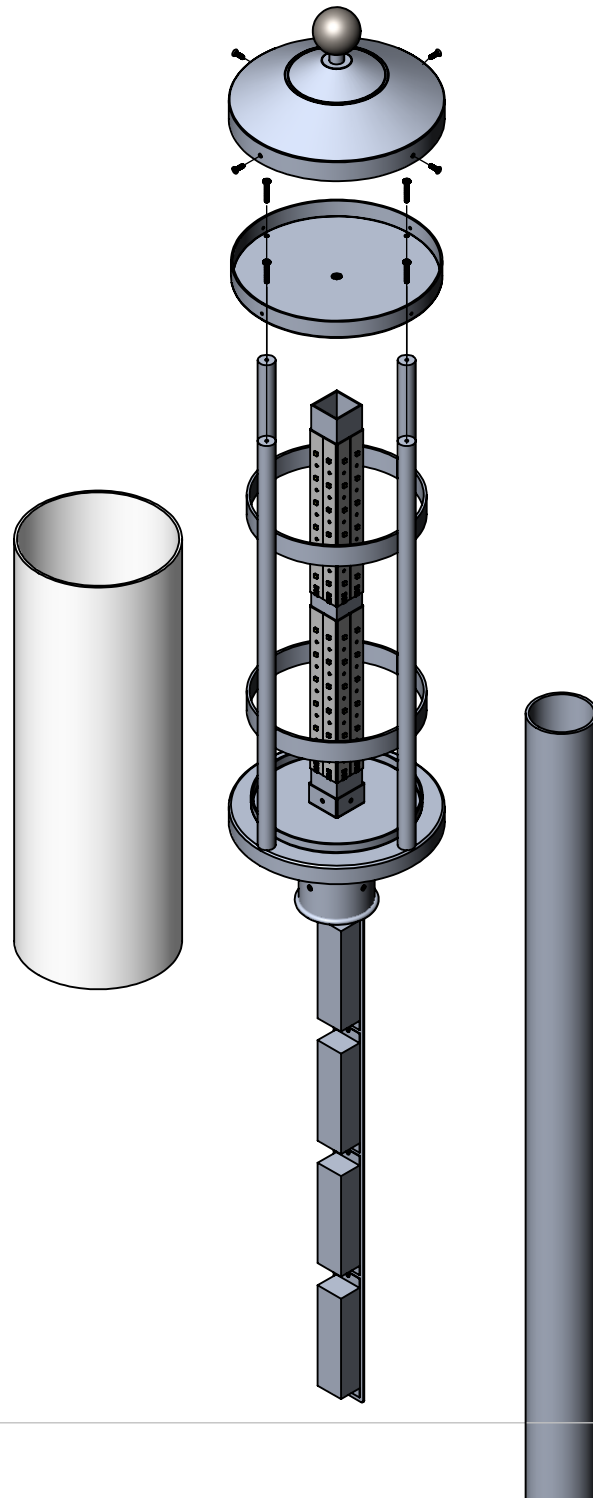
REV

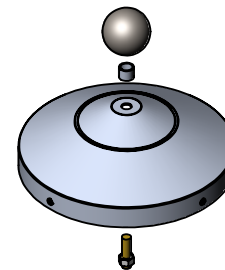
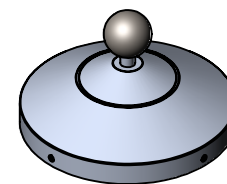
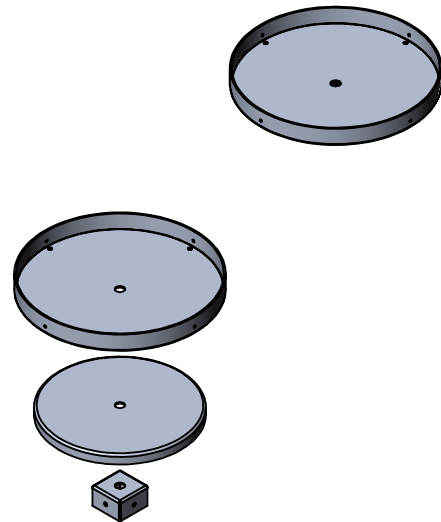
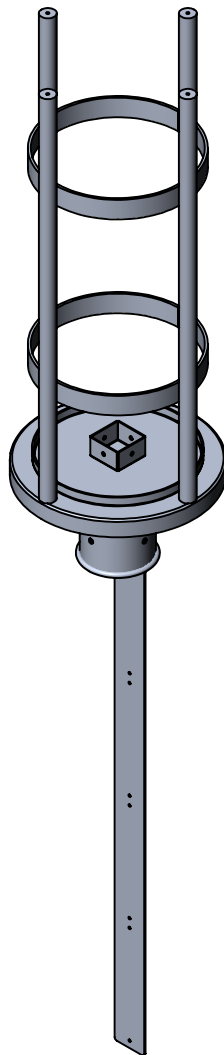
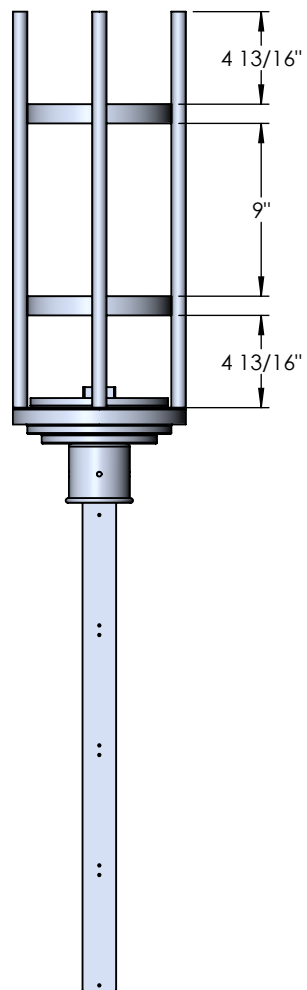
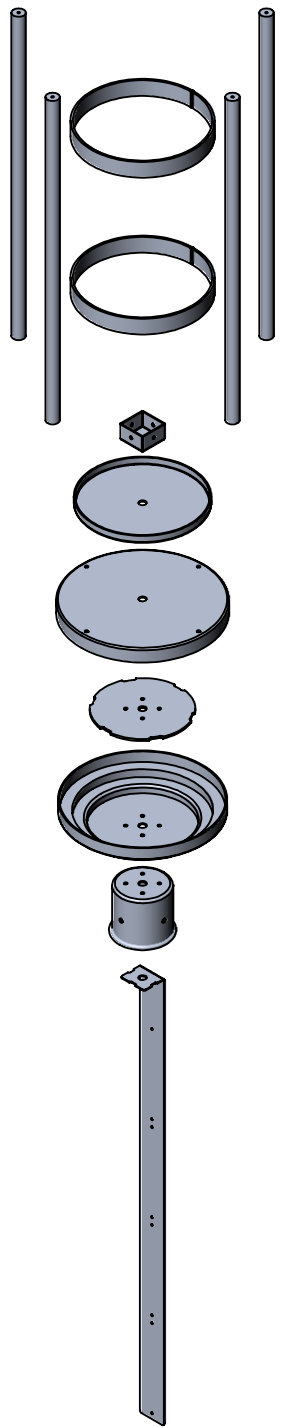
A TICKET 24907

SCALE: 1:12.5 WEIGHT:

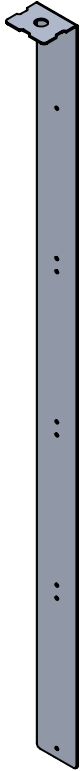
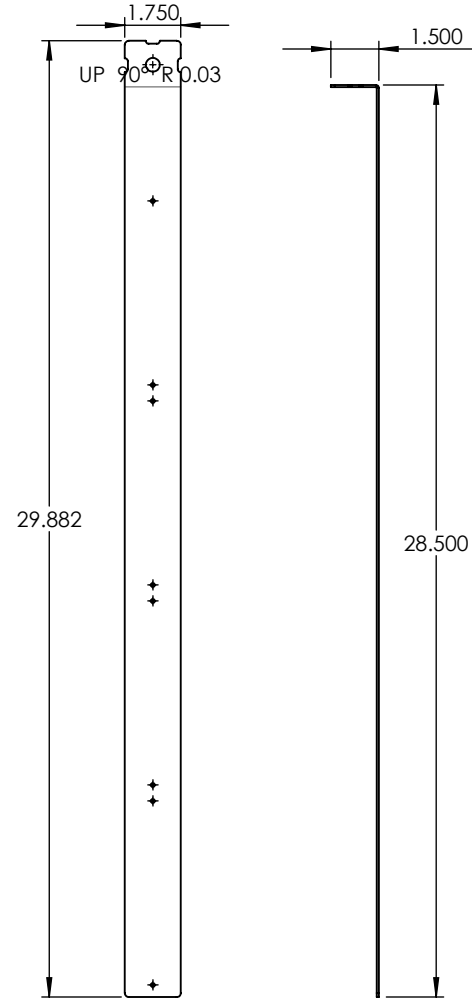
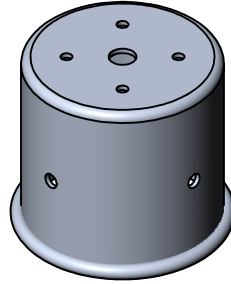
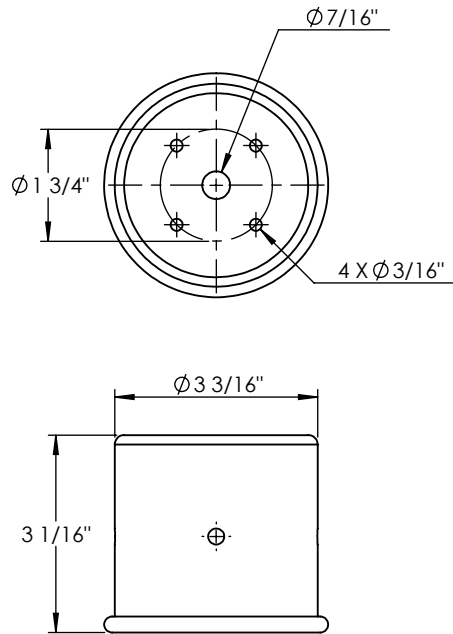
SHEET 1 OF 13







ITEM NO.	PART NUMBER	DESCRIPTION	QTY.
1	POST FITTER	3" ALUMINUM POST FITTER	1



PROPRIETARY AND CONFIDENTIAL
 THE INFORMATION CONTAINED IN THIS DRAWING IS THE SOLE PROPERTY OF <INSERT COMPANY NAME HERE>. ANY REPRODUCTION IN PART OR AS A WHOLE WITHOUT THE WRITTEN PERMISSION OF <INSERT COMPANY NAME HERE> IS PROHIBITED.

		UNLESS OTHERWISE SPECIFIED:		NAME	DATE	3" ALUMINUM POST FITTER		
		DIMENSIONS ARE IN INCHES				TITLE:		
		TOLERANCES:				CYL-PST24X9-120W-MBK-WF-DIM-8AB3-X442-41		
		FRACTIONAL ±		DRAWN		SIZE DWG. NO. REV		
		ANGULAR: MACH ± BEND ±		CHECKED		SCALE: 1:3 WEIGHT: SHEET 5 OF 13		
		TWO PLACE DECIMAL ±		ENG APPR.				
		THREE PLACE DECIMAL ±		MFG APPR.				
		INTERPRET GEOMETRIC TOLERANCING PER:		Q.A.				
		MATERIAL		COMMENTS:				
NEXT ASSY	USED ON	FINISH						
APPLICATION		DO NOT SCALE DRAWING						

5

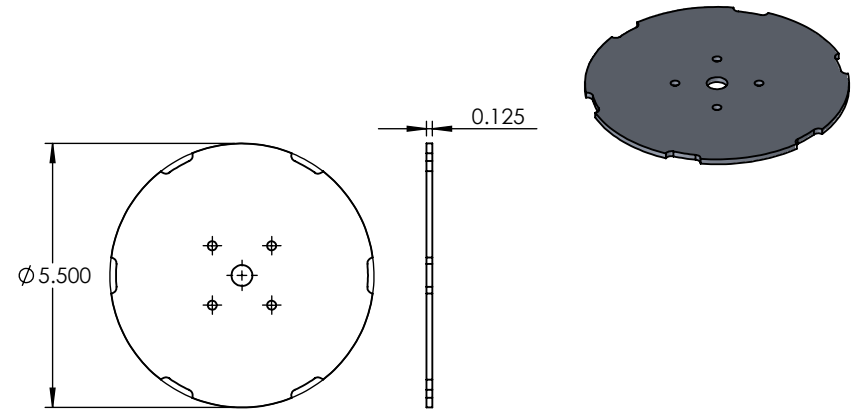
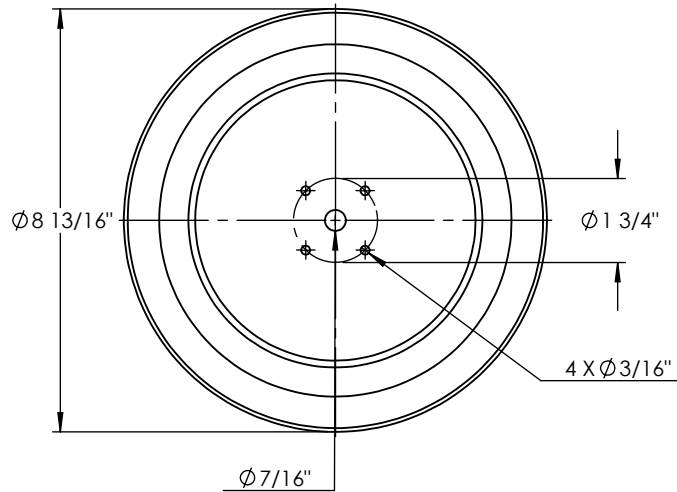
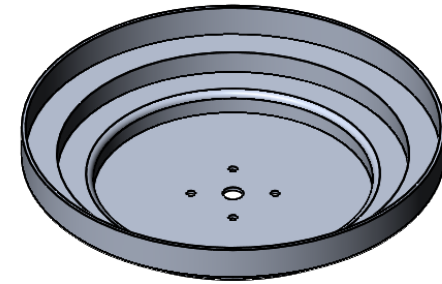
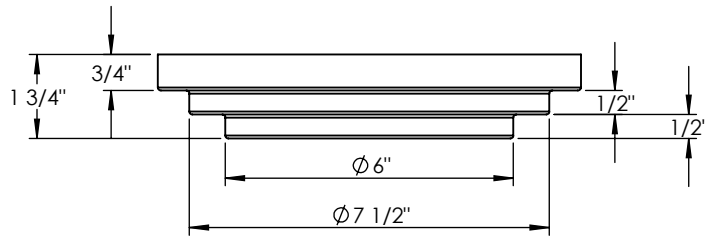
4

3

2

1

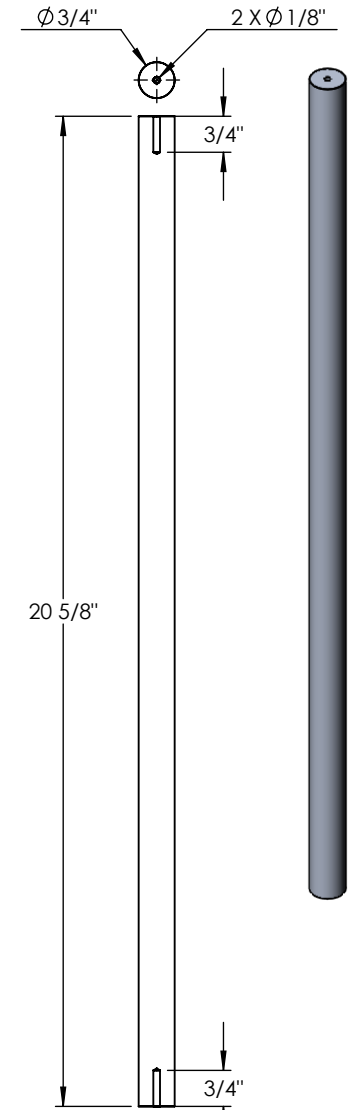
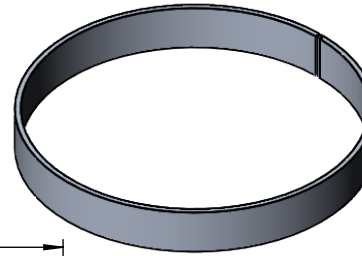
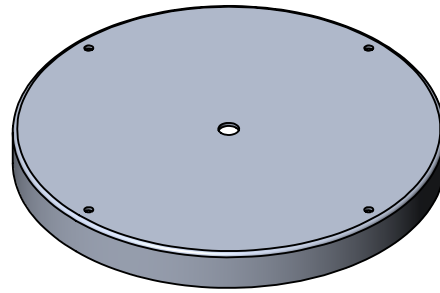
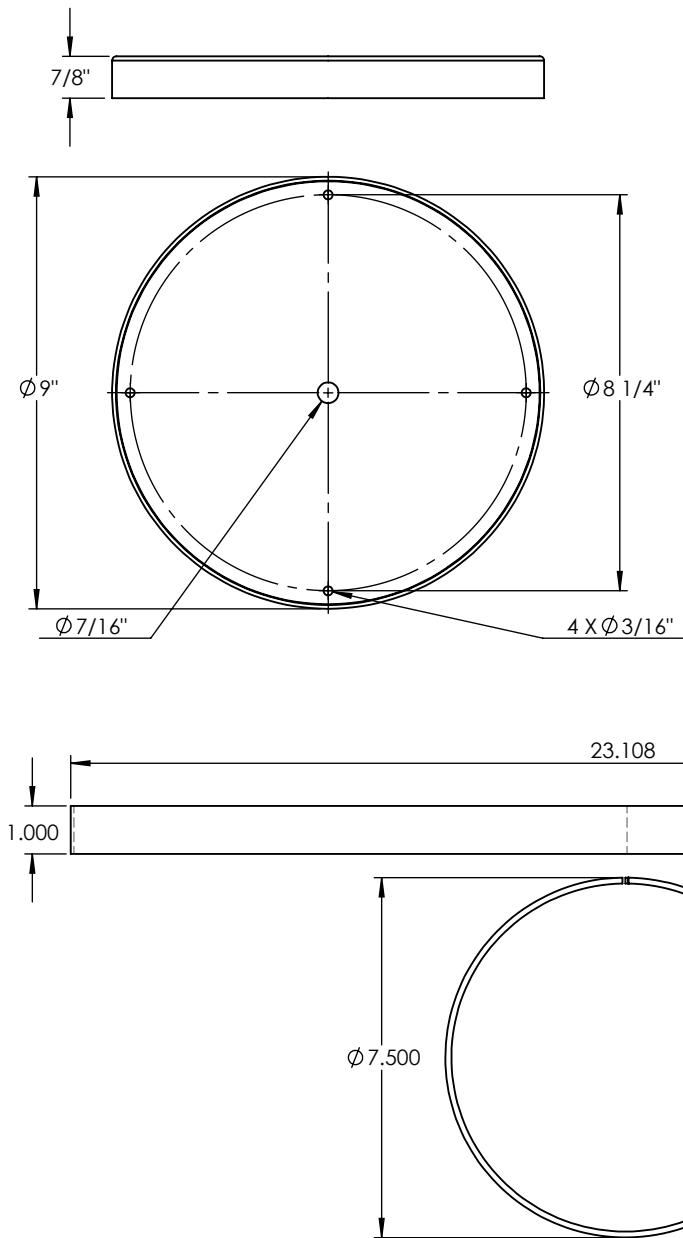
ITEM NO.	PART NUMBER	DESCRIPTION	QTY.
1	CYL-PST24X9-120W-MBK-WF-DIM-8AB3-X442-41K-SPUN BASE	SPUN ALUMINUM 0.080"	1



PROPRIETARY AND CONFIDENTIAL
 THE INFORMATION CONTAINED IN THIS DRAWING IS THE SOLE PROPERTY OF <INSERT COMPANY NAME HERE>. ANY REPRODUCTION IN PART OR AS A WHOLE WITHOUT THE WRITTEN PERMISSION OF <INSERT COMPANY NAME HERE> IS PROHIBITED.

UNLESS OTHERWISE SPECIFIED:		NAME	DATE	SPUN ALUMINUM 0.080"	
DIMENSIONS ARE IN INCHES TOLERANCES: FRACTIONAL ± ANGULAR: MACH ± BEND ± TWO PLACE DECIMAL ± THREE PLACE DECIMAL ±		DRAWN		TITLE:	
INTERPRET GEOMETRIC TOLERANCING PER:		CHECKED		CYL-PST24X9-120W-MBK-WF-DIM-8AB3-X442-41K-SPUN BASE	
MATERIAL		ENG APPR.		SIZE DWG. NO. REV	
FINISH		MFG APPR.		A	
NEXT ASSY	USED ON	Q.A.		SCALE: 1:4 WEIGHT: SHEET 6 OF 13	
APPLICATION		COMMENTS:			
DO NOT SCALE DRAWING					

ITEM NO.	PART NUMBER	DESCRIPTION	QTY.
1	CYL-PST24X9-120W-MBK-WF-DIM-8AB3-X442-41K-SPUN BASE COVER	SPUN ALUMINUM 0.080"	1



UNLESS OTHERWISE SPECIFIED:		NAME	DATE
DIMENSIONS ARE IN INCHES		DRAWN	
TOLERANCES:		CHECKED	
FRACTIONAL ±		ENG APPR.	
ANGULAR: MACH ± BEND ±		MFG APPR.	
TWO PLACE DECIMAL ±		Q.A.	
THREE PLACE DECIMAL ±		COMMENTS:	
INTERPRET GEOMETRIC TOLERANCING PER:			
MATERIAL			
FINISH			
APPLICATION			
DO NOT SCALE DRAWING			

SPUN ALUMINUM 0.080"

TITLE:

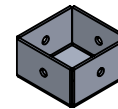
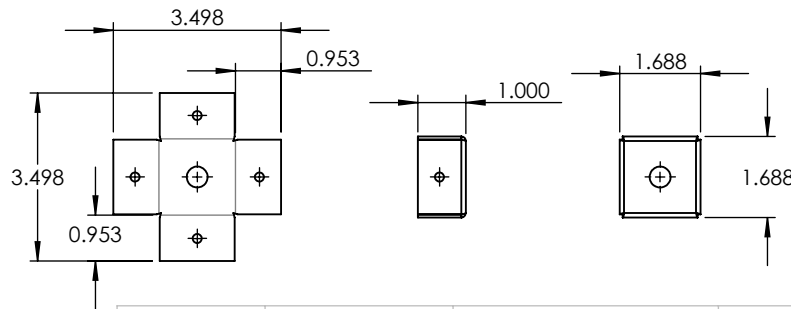
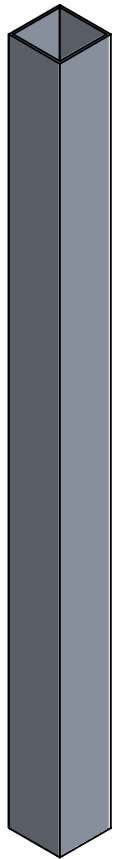
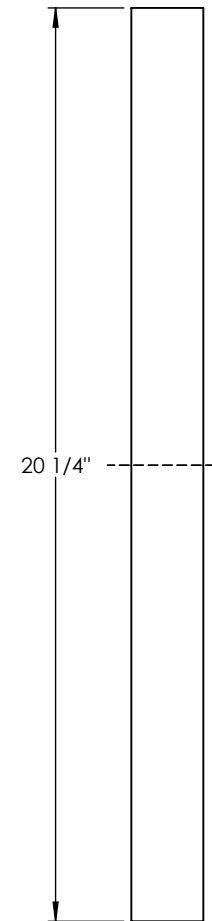
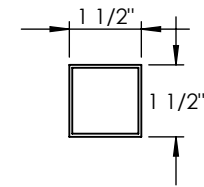
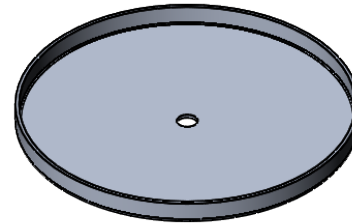
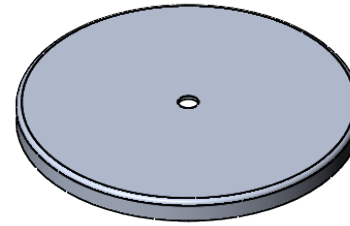
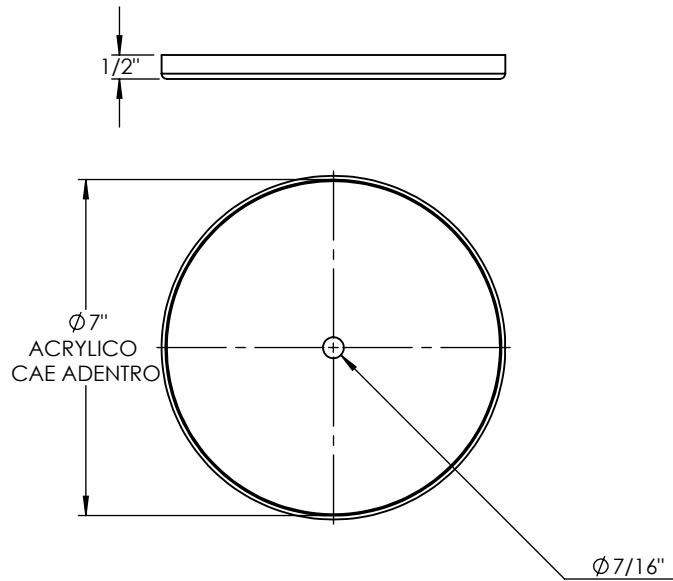
CYL-PST24X9-120W-MBK-WF-DIM-8AB3-X442-41K

PROPRIETARY AND CONFIDENTIAL
 THE INFORMATION CONTAINED IN THIS DRAWING IS THE SOLE PROPERTY OF <INSERT COMPANY NAME HERE>. ANY REPRODUCTION IN PART OR AS A WHOLE WITHOUT THE WRITTEN PERMISSION OF <INSERT COMPANY NAME HERE> IS PROHIBITED.

NEXT ASSY	USED ON
APPLICATION	

SIZE	DWG. NO.	REV
A		
SCALE: 1:4	WEIGHT:	SHEET 7 OF 13

ITEM NO.	PART NUMBER	DESCRIPTION	QTY.
1	CYL-PST24X9-120W-MBK-WF-DIM-8AB3-X442-41K-SPUN LENS CAP	SPUN ALUMINUM 0.080"	2



PROPRIETARY AND CONFIDENTIAL
 THE INFORMATION CONTAINED IN THIS DRAWING IS THE SOLE PROPERTY OF <INSERT COMPANY NAME HERE>. ANY REPRODUCTION IN PART OR AS A WHOLE WITHOUT THE WRITTEN PERMISSION OF <INSERT COMPANY NAME HERE> IS PROHIBITED.

UNLESS OTHERWISE SPECIFIED:		NAME	DATE
DIMENSIONS ARE IN INCHES		DRAWN	
TOLERANCES:		CHECKED	
FRACTIONAL \pm		ENG APPR.	
ANGULAR: MACH \pm BEND \pm		MFG APPR.	
TWO PLACE DECIMAL \pm		Q.A.	
THREE PLACE DECIMAL \pm		COMMENTS:	
INTERPRET GEOMETRIC TOLERANCING PER:			
MATERIAL			
FINISH			
NEXT ASSY	USED ON		
APPLICATION			
DO NOT SCALE DRAWING			

SPUN ALUMINUM 0.080"

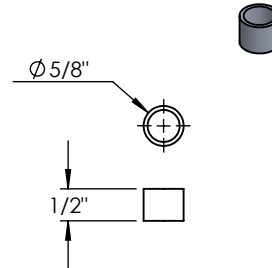
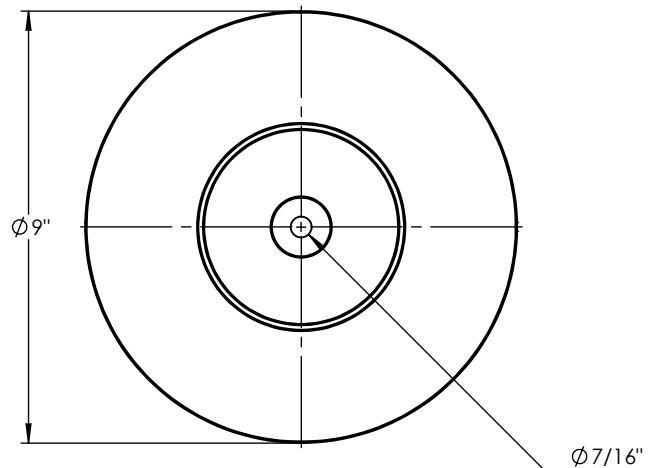
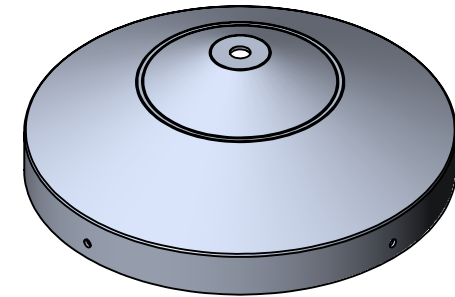
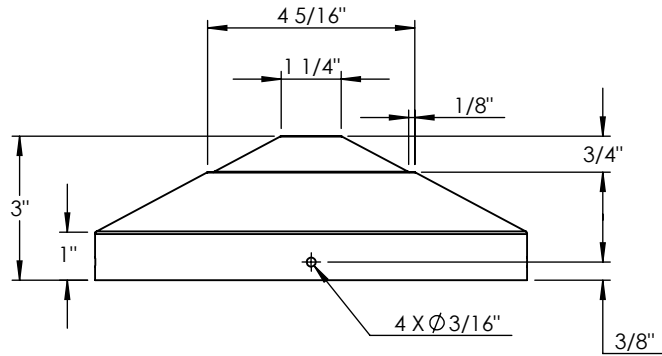
TITLE:

CYL-PST24X9-120W-MBK-WF-DIM-8AB3-X442-41K

SIZE	DWG. NO.	REV
A		

SCALE: 1:4 WEIGHT: SHEET 8 OF 13

ITEM NO.	PART NUMBER	DESCRIPTION	QTY.
1	CYL-PST24X9-120W-MBK-WF-DIM-8AB3-X442-41K-SHADE	SPUN ALUMINUM 0.080"	1



PROPRIETARY AND CONFIDENTIAL
 THE INFORMATION CONTAINED IN THIS DRAWING IS THE SOLE PROPERTY OF <INSERT COMPANY NAME HERE>. ANY REPRODUCTION IN PART OR AS A WHOLE WITHOUT THE WRITTEN PERMISSION OF <INSERT COMPANY NAME HERE> IS PROHIBITED.

		UNLESS OTHERWISE SPECIFIED:	NAME	DATE
		DIMENSIONS ARE IN INCHES TOLERANCES: FRACTIONAL ± ANGULAR: MACH ± BEND ± TWO PLACE DECIMAL ± THREE PLACE DECIMAL ±	DRAWN	
		INTERPRET GEOMETRIC TOLERANCING PER:	CHECKED	
		MATERIAL	ENG APPR.	
		FINISH	MFG APPR.	
NEXT ASSY	USED ON		Q.A.	
APPLICATION		DO NOT SCALE DRAWING	COMMENTS:	

SPUN ALUMINUM 0.080"		
TITLE:		
CYL-PST24X9-120W-MBK-WF-DIM-8AB3-X442-41K-SHADE		
SIZE	DWG. NO.	REV
A		
SCALE: 1:4	WEIGHT:	SHEET 9 OF 13

5

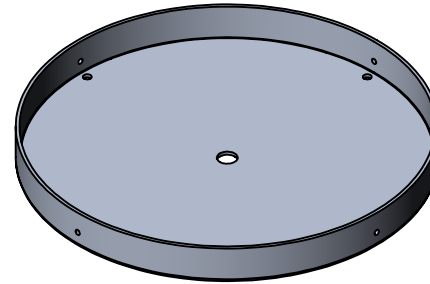
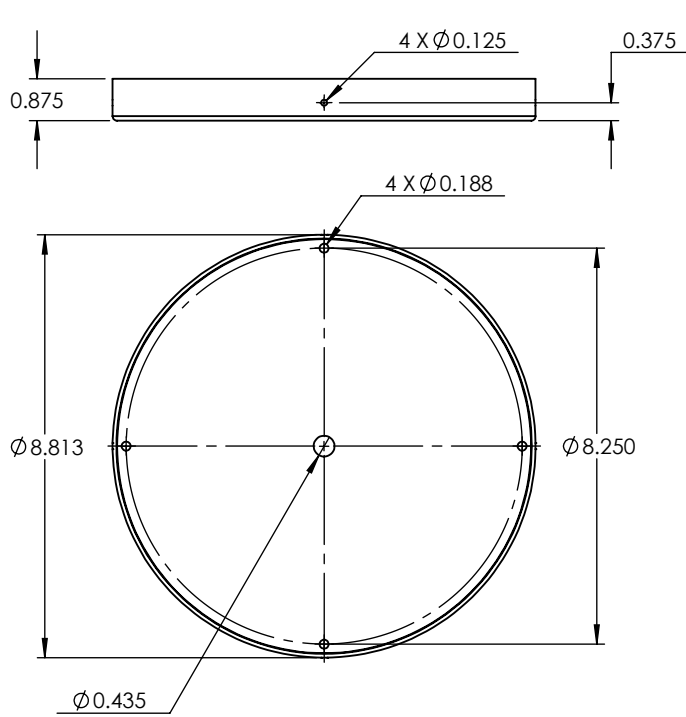
4

3

2

1

ITEM NO.	PART NUMBER	DESCRIPTION	QTY.
1	CYL-PST24X9-120W-MBK-WF-DIM-8AB3-X442-41K-SPUN SHADE COVER	SPUN ALUMINUM 0.080"	1



PROPRIETARY AND CONFIDENTIAL
 THE INFORMATION CONTAINED IN THIS DRAWING IS THE SOLE PROPERTY OF <INSERT COMPANY NAME HERE>. ANY REPRODUCTION IN PART OR AS A WHOLE WITHOUT THE WRITTEN PERMISSION OF <INSERT COMPANY NAME HERE> IS PROHIBITED.

		UNLESS OTHERWISE SPECIFIED:	NAME	DATE	SPUN ALUMINUM 0.080"	
		DIMENSIONS ARE IN INCHES TOLERANCES: FRACTIONAL ± ANGULAR: MACH ± BEND ± TWO PLACE DECIMAL ± THREE PLACE DECIMAL ±	DRAWN		TITLE:	
		INTERPRET GEOMETRIC TOLERANCING PER:	CHECKED		CYL-PST24X9-120W-MBK-WF-DIM-8AB3-X442-41K	
		MATERIAL	ENG APPR.		Q.A.	
		FINISH	MFG APPR.		COMMENTS:	
NEXT ASSY	USED ON				SIZE	DWG. NO.
APPLICATION		DO NOT SCALE DRAWING			A	REV
					SCALE: 1:4	WEIGHT:
					SHEET 10 OF 13	

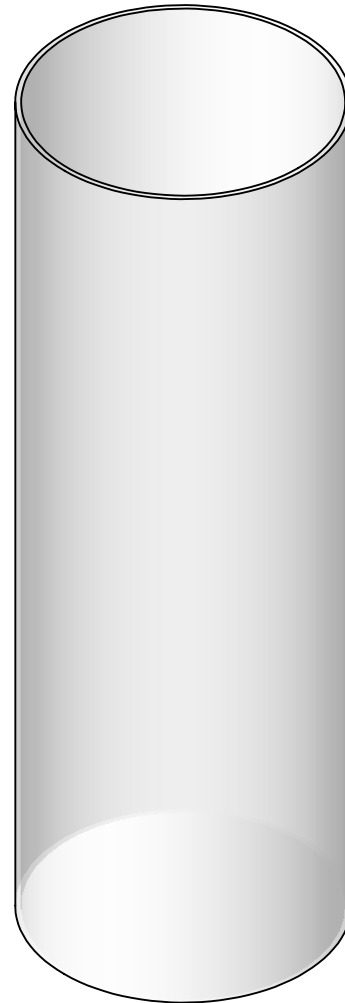
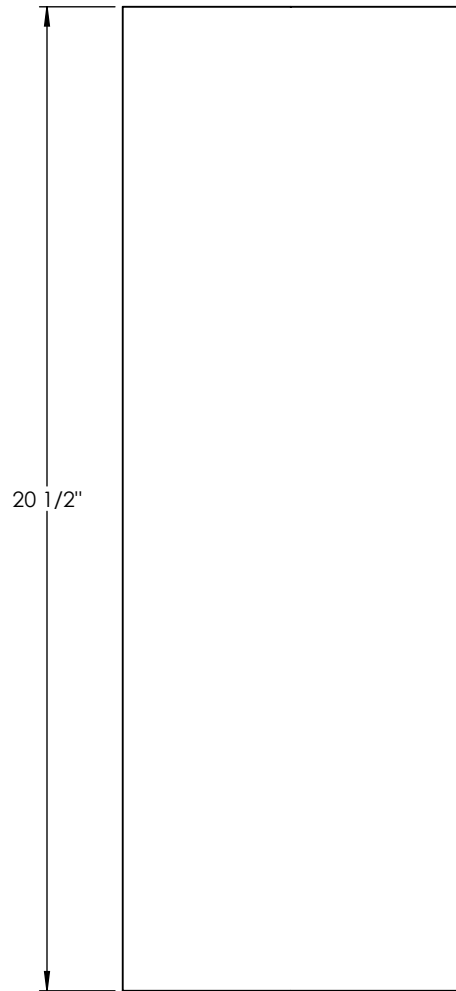
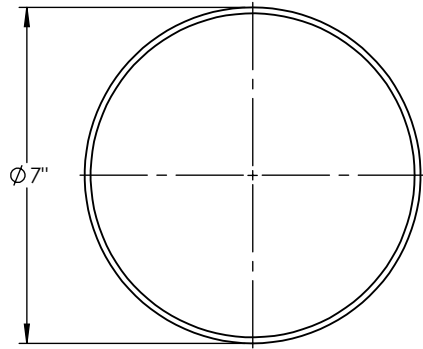
5

4

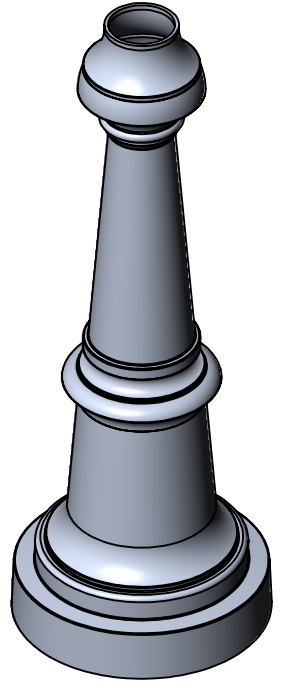
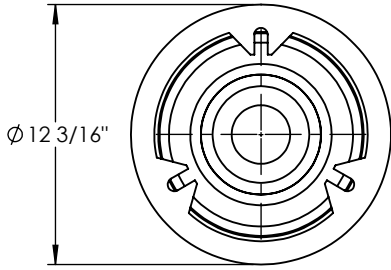
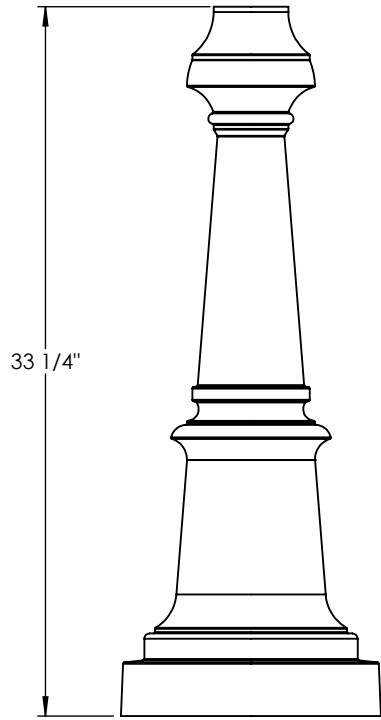
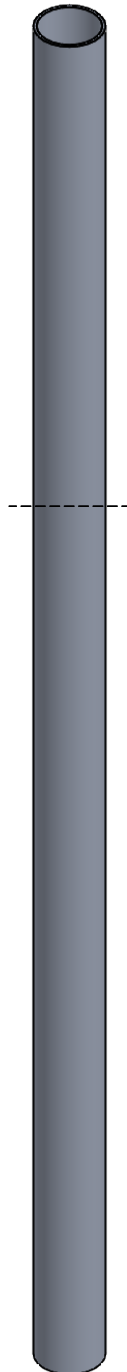
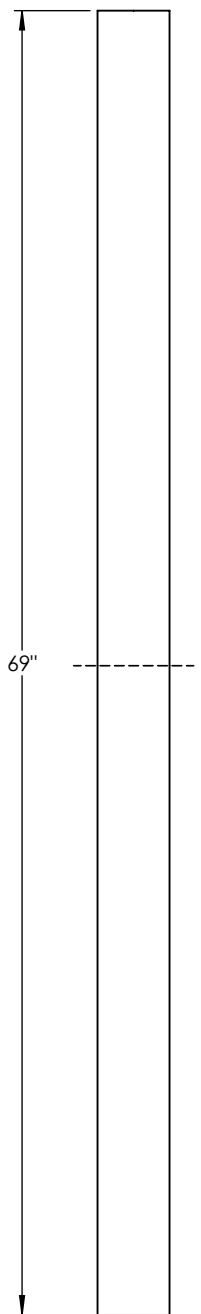
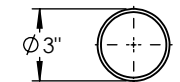
3

2

1



UNLESS OTHERWISE SPECIFIED: DIMENSIONS ARE IN INCHES TOLERANCES: FRACTIONAL ± ANGULAR: MACH ± BEND ± TWO PLACE DECIMAL ± THREE PLACE DECIMAL ± INTERPRET GEOMETRIC TOLERANCING PER: MATERIAL FINISH DO NOT SCALE DRAWING		NAME	DATE	ACRYLIC		
	DRAWN					
	CHECKED			SIZE	DWG. NO.	REV
	ENG APPR.			A	SCALE: 1:4	WEIGHT:
MFG APPR.						
	Q.A.					
	COMMENTS:					



UNLESS OTHERWISE SPECIFIED:		NAME	DATE	3" ALUMINUM TUBE			
DIMENSIONS ARE IN INCHES TOLERANCES: FRACTIONAL ± ANGULAR: MACH ± BEND ± TWO PLACE DECIMAL ± THREE PLACE DECIMAL ±		DRAWN				TITLE:	
INTERPRET GEOMETRIC TOLERANCING PER:		CHECKED		CYL-PST24X9-120W-MBK-WF-DIM-8AB3-X442-41			
MATERIAL		ENG APPR.				SIZE	DWG. NO.
FINISH		MFG APPR.		A	SCALE: 1:8	WEIGHT:	SHEET 12 OF 13
DO NOT SCALE DRAWING		Q.A.					

5

4

3

2

1

