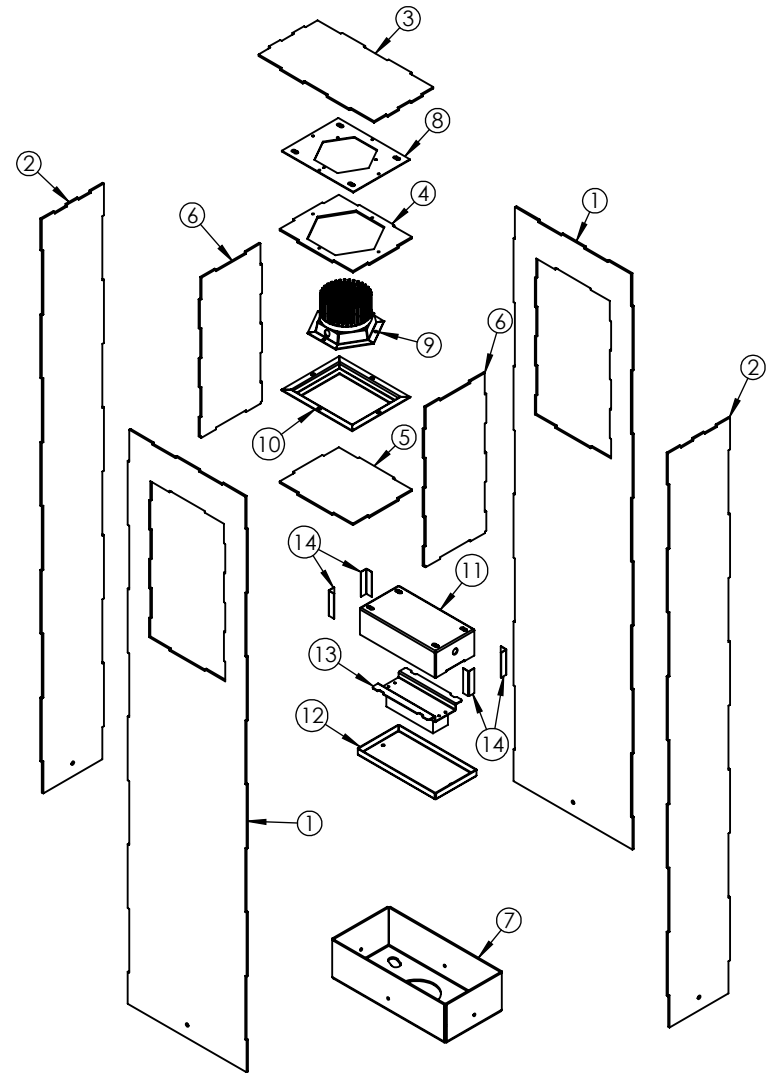
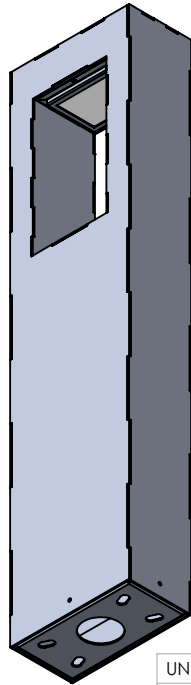
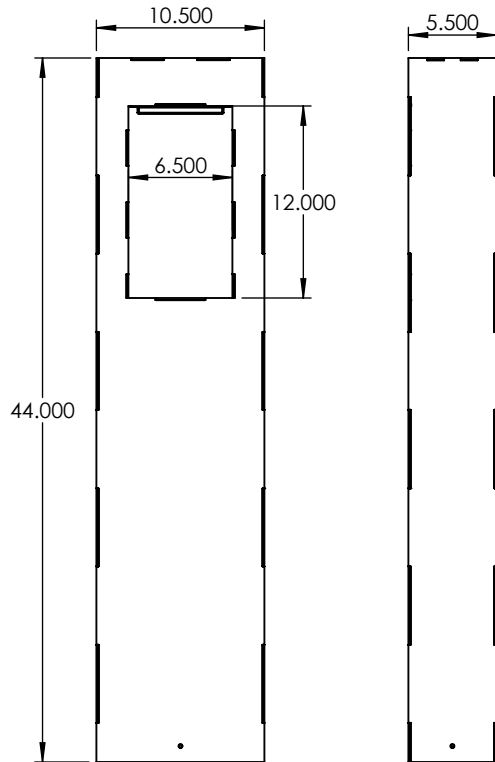


ITEM NO.	PART NUMBER	DESCRIPTION	QTY.	CUT
1	BOL-2PLR-20W-MG-CFA-44X10-30K-FRONT PLATE	ALUMINUM 0.125" PLATE	2	
2	BOL-2PLR-20W-MG-CFA-44X10-30K-SIDES PLATE	ALUMINUM 0.125" PLATE	2	
3	BOL-2PLR-20W-MG-CFA-44X10-30K-TOP PLATE	ALUMINUM 0.125" PLATE	1	
4	BOL-2PLR-20W-MG-CFA-44X10-30K-OPEN SPACE TOP PLATE	ALUMINUM 0.125" PLATE	1	
5	BOL-2PLR-20W-MG-CFA-44X10-30K-OPEN SPACE BOTTOM PLATE	ALUMINUM 0.125" PLATE	1	
6	BOL-2PLR-20W-MG-CFA-44X10-30K-OPEN SPACE SIDE PLATE	ALUMINUM 0.125" PLATE	2	
7	BOL-2PLR-20W-MG-CFA-44X10-30K-FIREPLATE	ALUMINUM 0.125" PLATE	1	
8	BOL-2PLR-20W-MG-CFA-44X10-30K-TOP PLATE BRACKET	ALUMINUM 0.0635"	1	
9	BOL-2PLR-20W-MG-CFA-44X10-30K-LED BRACKET	ALUMINUM 0.0635"	1	
10	BOL-2PLR-20W-MG-CFA-44X10-30K-DOOR	ALUMINUM 0.0635"	1	
11	BOL-2PLR-20W-MG-CFA-44X10-30K-DRIVER BOX	ALUMINUM 0.0635"	1	
12	BOL-2PLR-20W-MG-CFA-44X10-30K-DRIVER CAP	ALUMINUM 0.0635"	1	
13	BOL-2PLR-20W-MG-CFA-44X10-30K-DRIVER BRACKET	ALUMINUM 0.0635"	1	
14	BOL-2PLR-20W-MG-CFA-44X10-30K-COVER TAB	25 GAUGE	4	
15	BOL-2PLR-20W-MG-CFA-44X10-30K-ACRYLIC	ACRYLIC	1	
16	BOL-2PLR-20W-MG-CFA-44X10-30K-COOLIANCE CUSTOM HS	HEAT SINK	1	
17	ESPEN VEL29070MVH-1	DRIVER	1	
18	AItailed_PCN_D1000_105B	LED	4	



ALL BEND RADIUS .030"

APPLICATION

DO NOT SCALE DRAWING

UNLESS OTHERWISE SPECIFIED:

DIMENSIONS ARE IN INCHES
 TOLERANCES:
 FRACTIONAL ± .003
 ANGULAR: MACH ±.01 BEND ±
 TWO PLACE DECIMAL ±
 THREE PLACE DECIMAL ±.001

INTERPRET GEOMETRIC
 TOLERANCING PER:

MATERIAL

FINISH

NAME DATE

DRAWN
 CHECKED
 ENG APPR.
 MFG APPR.

Q.A.
 COMMENTS:

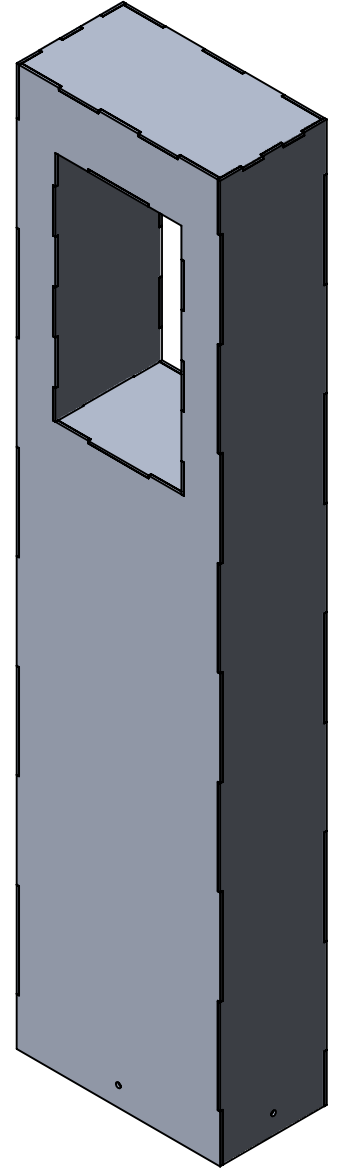
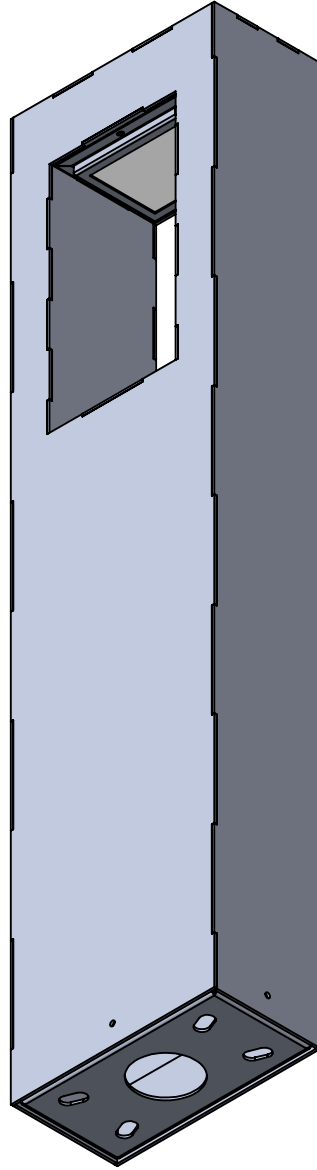
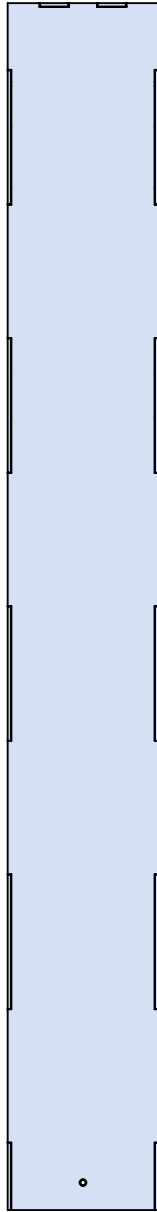
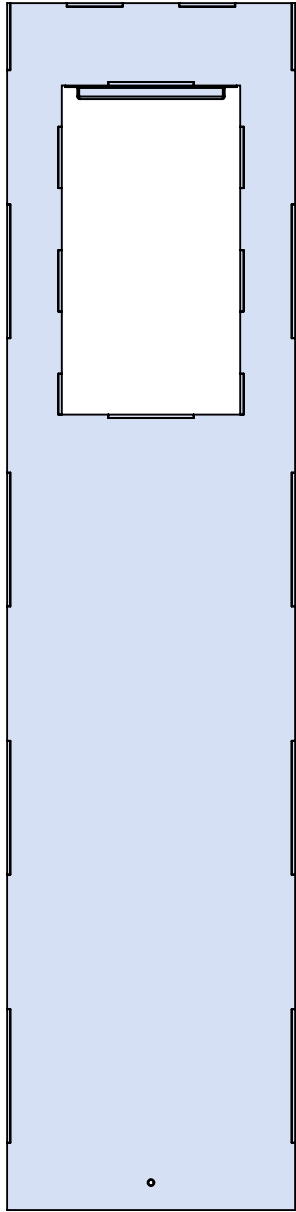
TITLE:

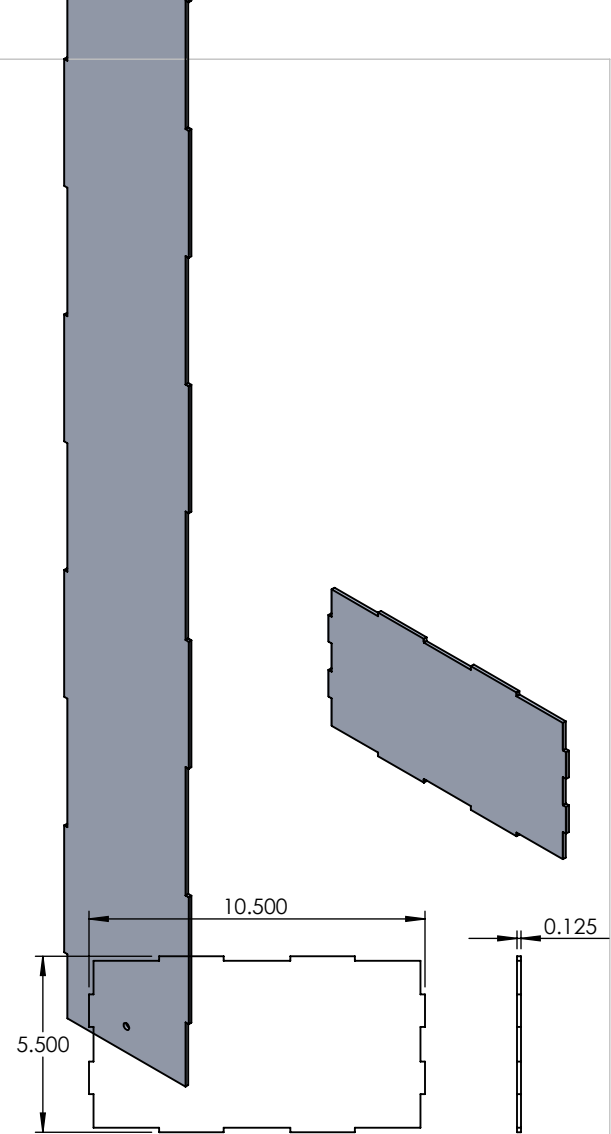
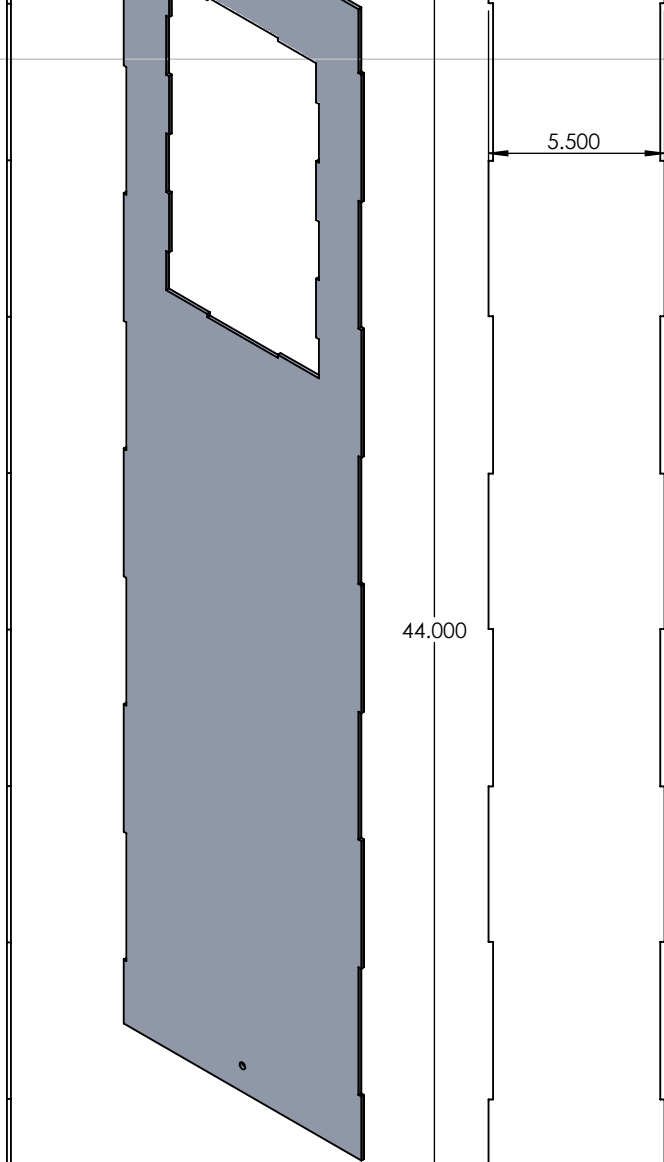
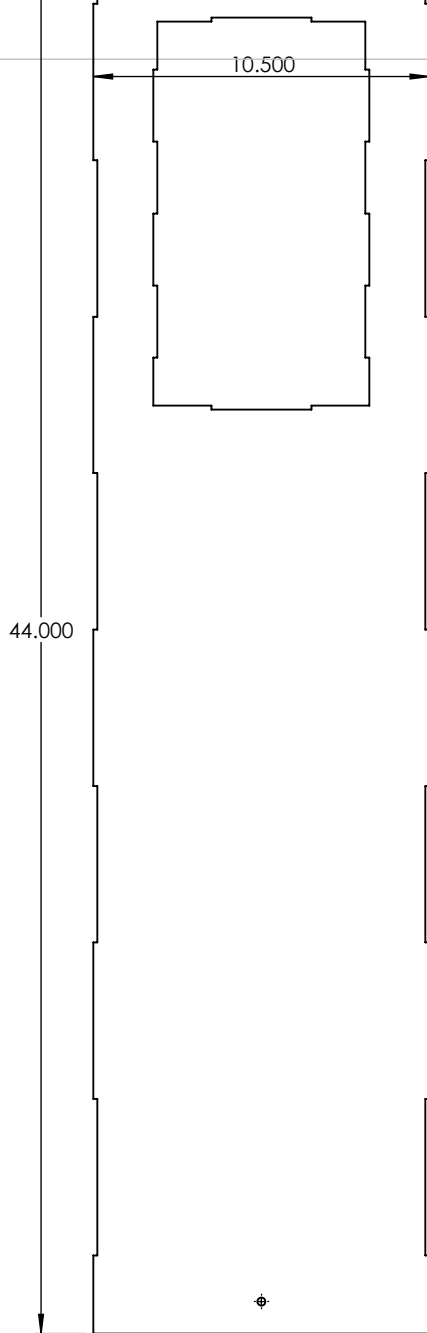
BOL-2PLR-20W-MG-CFA-44X10-30K

SIZE DWG. NO. REV

A TICKET 24980

SCALE: 1:12 WEIGHT: SHEET 1 OF 9





PROPRIETARY AND CONFIDENTIAL
 THE INFORMATION CONTAINED IN THIS DRAWING IS THE SOLE PROPERTY OF <INSERT COMPANY NAME HERE>. ANY REPRODUCTION IN PART OR AS A WHOLE WITHOUT THE WRITTEN PERMISSION OF <INSERT COMPANY NAME HERE> IS PROHIBITED.

		UNLESS OTHERWISE SPECIFIED:	NAME	DATE
		DIMENSIONS ARE IN INCHES	DRAWN	
		TOLERANCES:	CHECKED	
		FRACTIONAL ±	ENG APPR.	
		ANGULAR: MACH ± BEND ±	MFG APPR.	
		TWO PLACE DECIMAL ±	Q.A.	
		THREE PLACE DECIMAL ±	COMMENTS:	
		INTERPRET GEOMETRIC TOLERANCING PER:		
		MATERIAL		
		FINISH		
NEXT ASSY	USED ON			
APPLICATION	DO NOT SCALE DRAWING			

ALUMINUM 0.125" PLATE		
TITLE:		
BOL-2PLR-20W-MG-CFA-44X10-30K		
SIZE	DWG. NO.	REV
A		
SCALE: 1:6	WEIGHT:	SHEET 3 OF 9

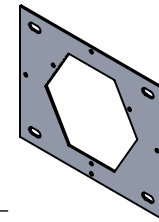
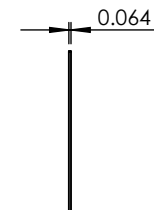
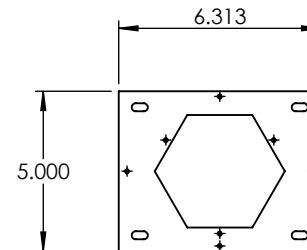
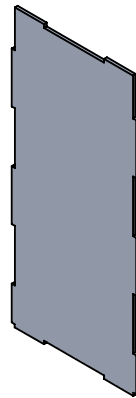
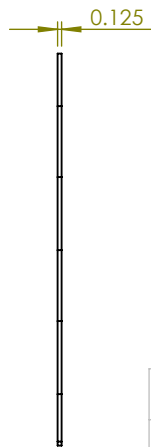
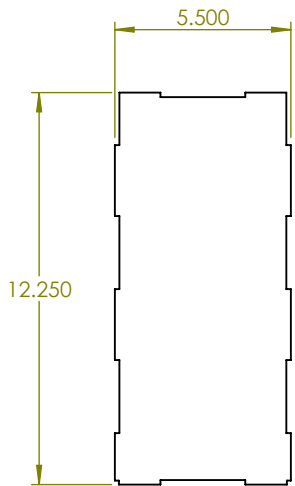
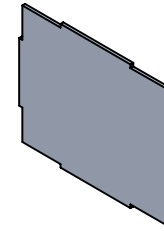
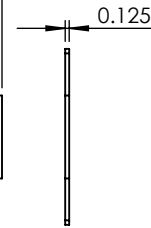
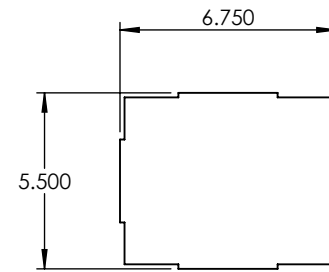
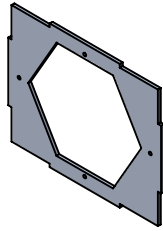
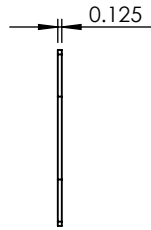
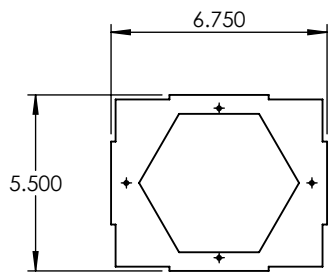
5

4

3

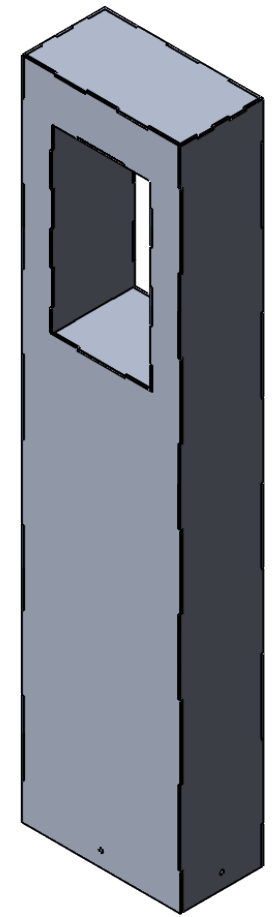
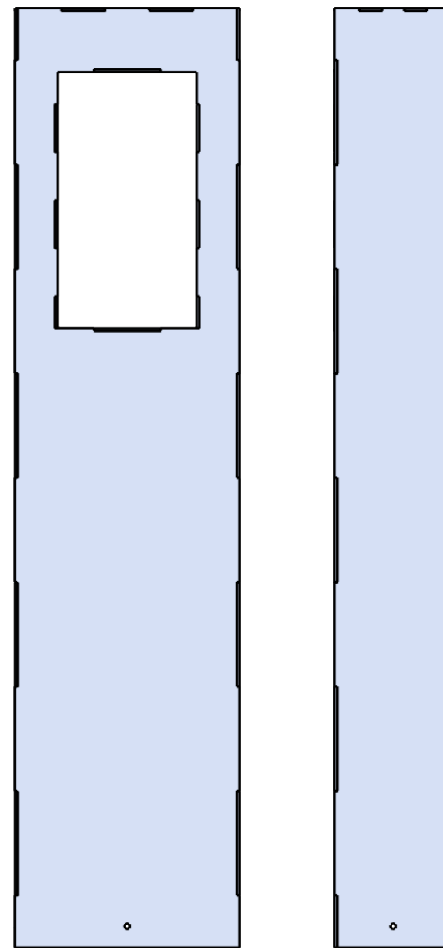
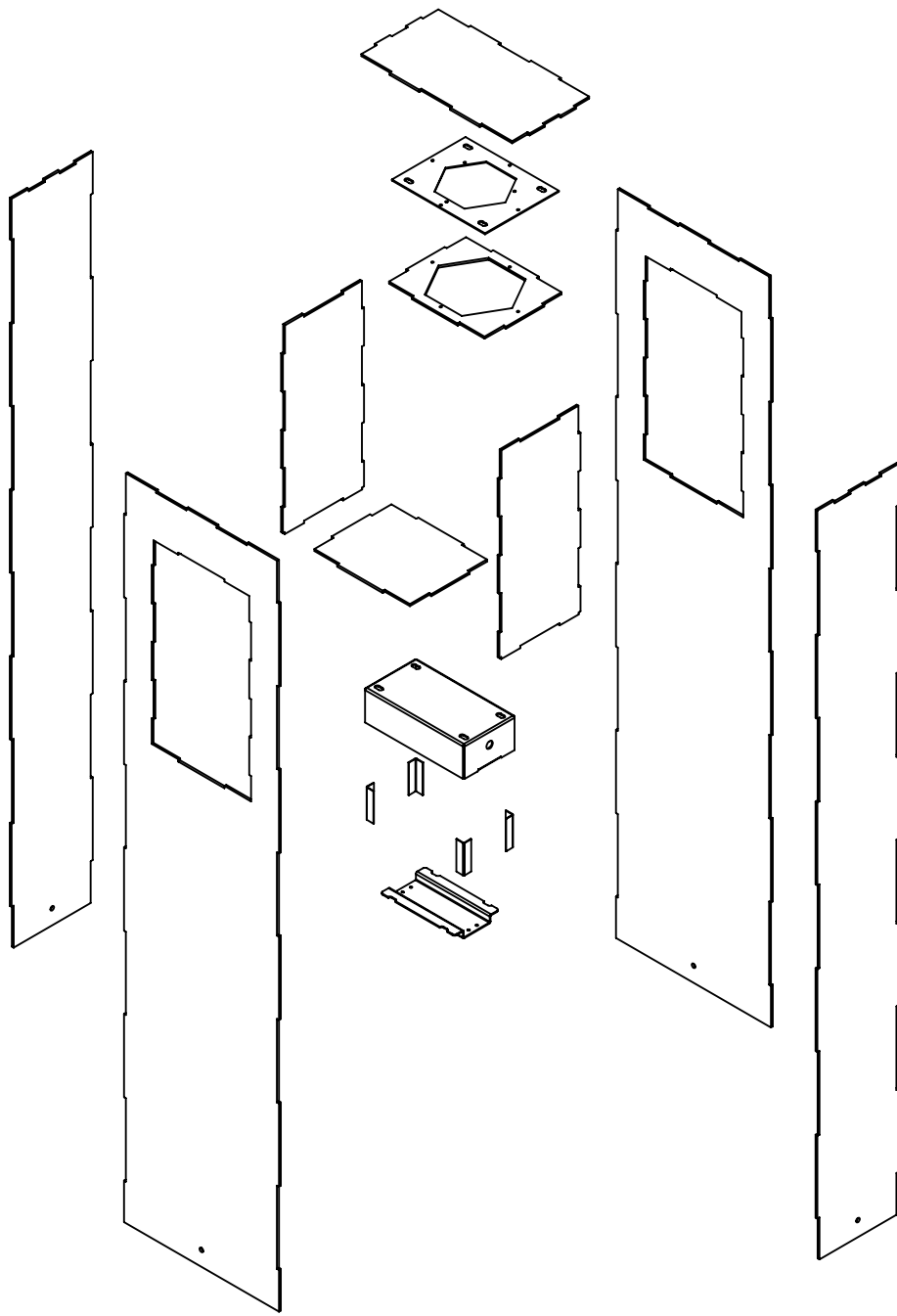
2

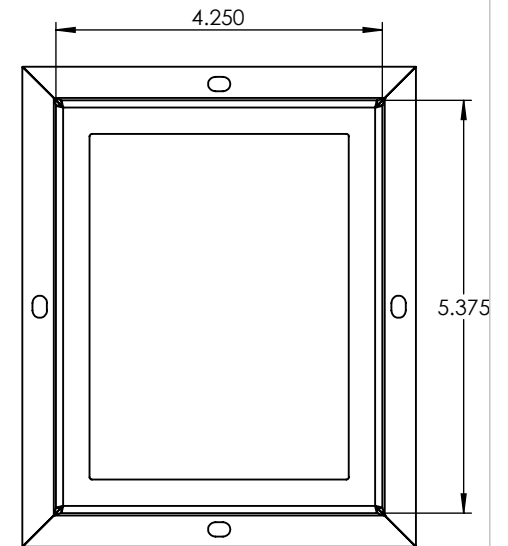
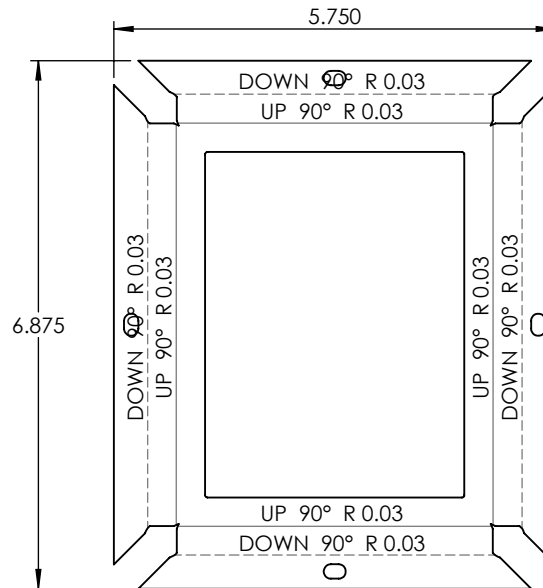
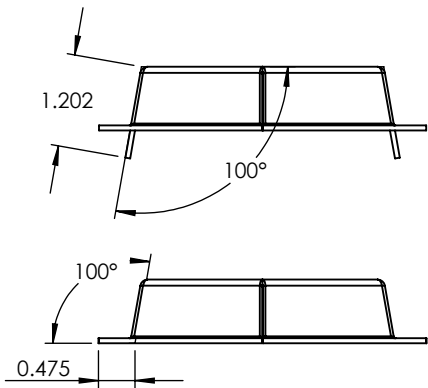
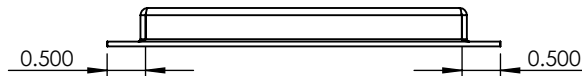
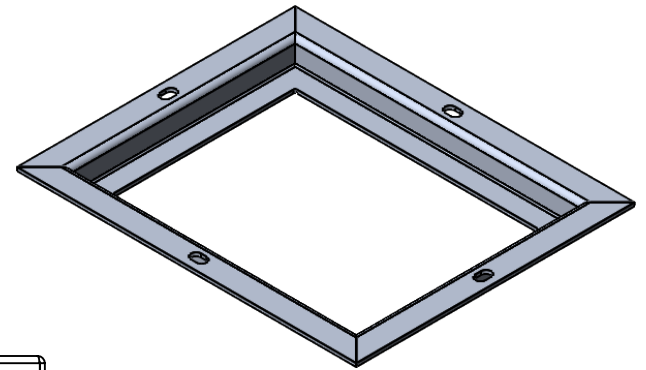
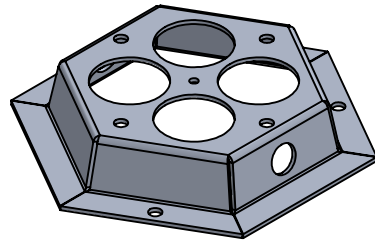
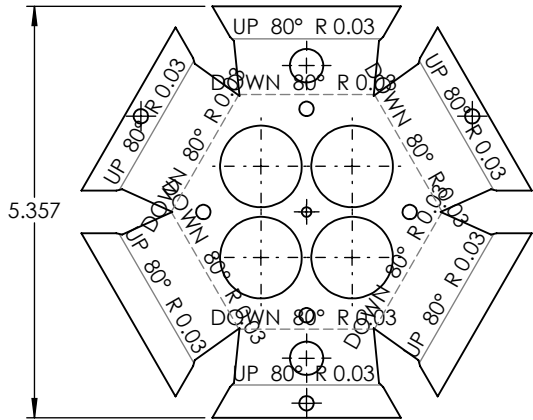
1



PROPRIETARY AND CONFIDENTIAL
 THE INFORMATION CONTAINED IN THIS DRAWING IS THE SOLE PROPERTY OF <INSERT COMPANY NAME HERE>. ANY REPRODUCTION IN PART OR AS A WHOLE WITHOUT THE WRITTEN PERMISSION OF <INSERT COMPANY NAME HERE> IS PROHIBITED.

		UNLESS OTHERWISE SPECIFIED:		NAME	DATE	ALUMINUM 0.125" PLATE		
		DIMENSIONS ARE IN INCHES TOLERANCES: FRACTIONAL ± ANGULAR: MACH ± BEND ± TWO PLACE DECIMAL ± THREE PLACE DECIMAL ±		DRAWN				TITLE:
		INTERPRET GEOMETRIC TOLERANCING PER:		ENG APPR.		BOL-2PLR-20W-MG-CFA-44X10-30K		
		MATERIAL		MFG APPR.				
		FINISH		Q.A.		SIZE	DWG. NO.	REV
NEXT ASSY	USED ON			COMMENTS:				
APPLICATION		DO NOT SCALE DRAWING				SCALE: 1:6	WEIGHT:	SHEET 4 OF 9





PROPRIETARY AND CONFIDENTIAL
 THE INFORMATION CONTAINED IN THIS DRAWING IS THE SOLE PROPERTY OF <INSERT COMPANY NAME HERE>. ANY REPRODUCTION IN PART OR AS A WHOLE WITHOUT THE WRITTEN PERMISSION OF <INSERT COMPANY NAME HERE> IS PROHIBITED.

		UNLESS OTHERWISE SPECIFIED:	NAME	DATE	ALUMINUM 0.0635"	
		DIMENSIONS ARE IN INCHES	DRAWN		TITLE:	
		TOLERANCES:	CHECKED		BOL-2PLR-20W-MG-CFA-44X10-30K	
		FRACTIONAL ±	ENG APPR.		SIZE DWG. NO. REV	
		ANGULAR: MACH ± BEND ±	MFG APPR.		A	
		TWO PLACE DECIMAL ±	Q.A.		SCALE: 1:2.5 WEIGHT: SHEET 6 OF 9	
		THREE PLACE DECIMAL ±	COMMENTS:			
NEXT ASSY	USED ON	INTERPRET GEOMETRIC TOLERANCING PER:				
APPLICATION		MATERIAL				
		FINISH				
		DO NOT SCALE DRAWING				

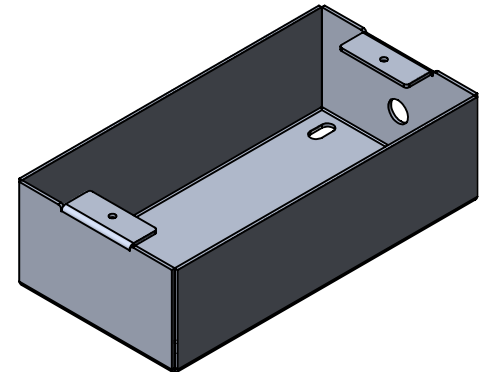
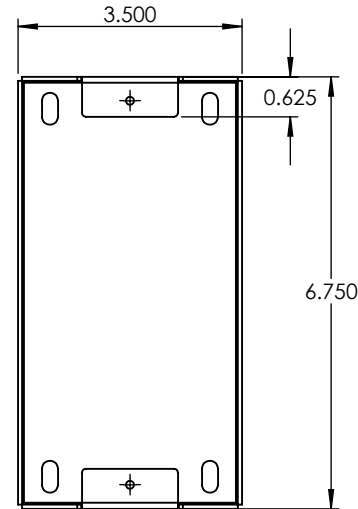
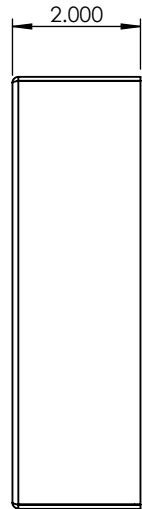
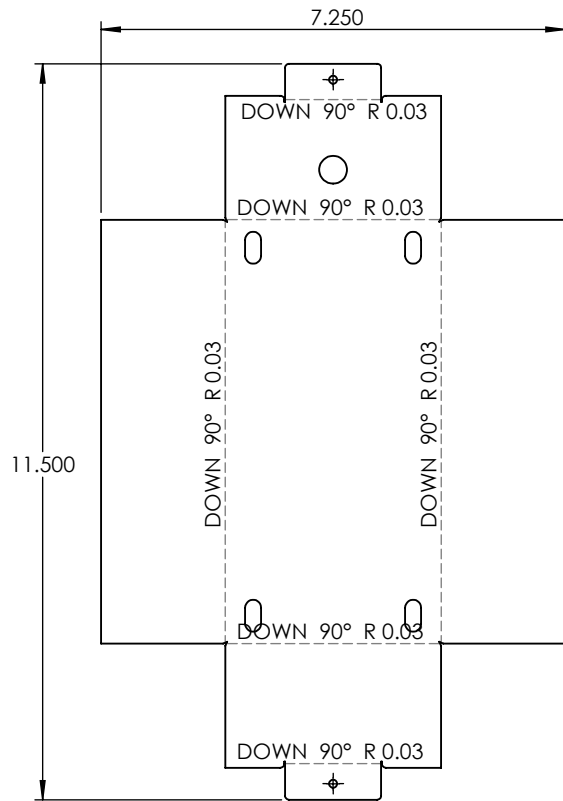
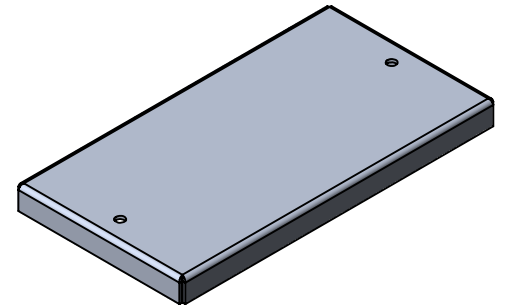
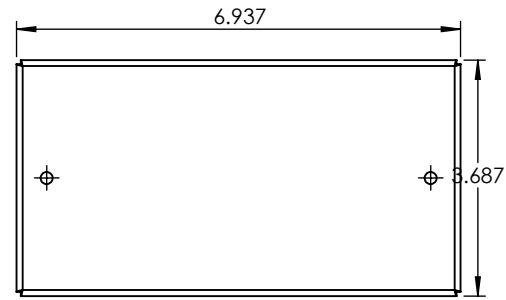
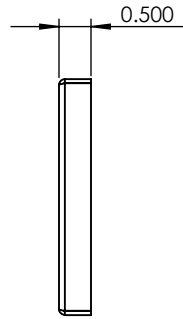
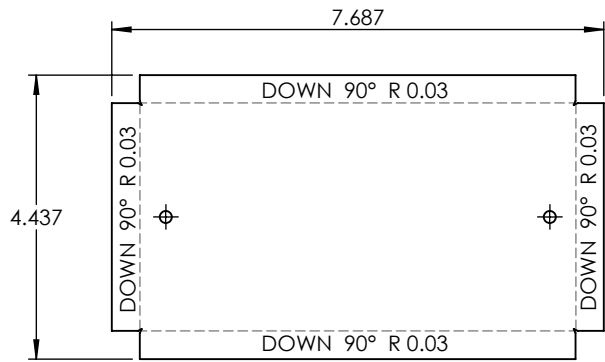
5

4

3

2

1



UNLESS OTHERWISE SPECIFIED:

DIMENSIONS ARE IN INCHES
 TOLERANCES:
 FRACTIONAL ±
 ANGULAR: MACH ± BEND ±
 TWO PLACE DECIMAL ±
 THREE PLACE DECIMAL ±

INTERPRET GEOMETRIC
 TOLERANCING PER:

MATERIAL

FINISH

DO NOT SCALE DRAWING

NAME

DATE

DRAWN

CHECKED

ENG APPR.

MFG APPR.

Q.A.

COMMENTS:

ALUMINUM 0.0635"

TITLE:

BOL-2PLR-20W-MG-CFA-44X10-30K

SIZE DWG. NO.

REV

SCALE: 1:3 WEIGHT:

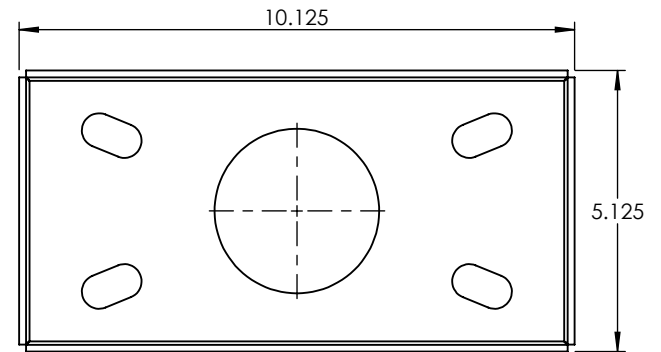
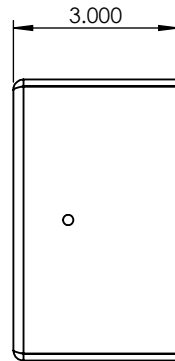
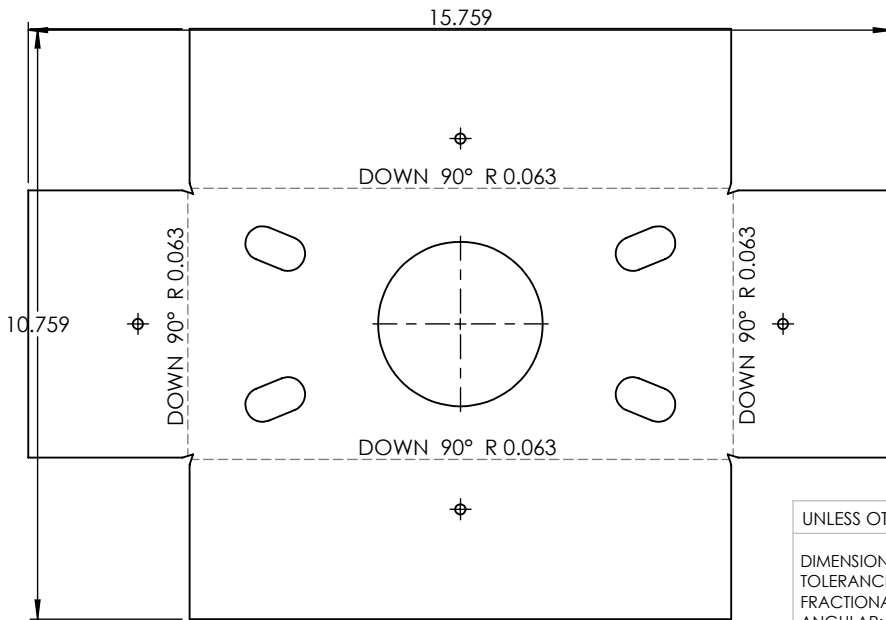
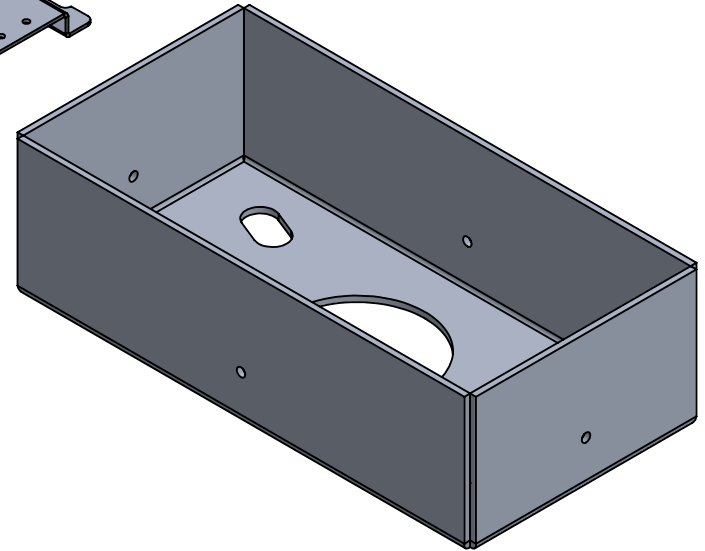
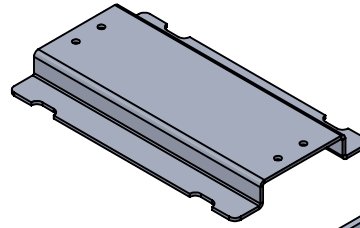
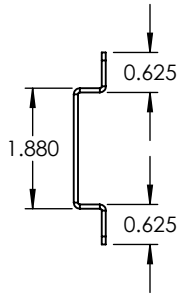
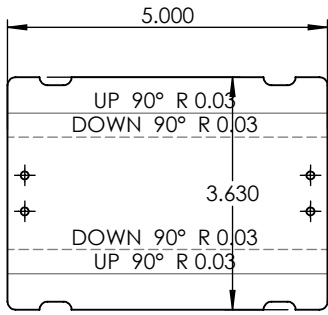
SHEET 7 OF 9

PROPRIETARY AND CONFIDENTIAL
 THE INFORMATION CONTAINED IN THIS
 DRAWING IS THE SOLE PROPERTY OF
 <INSERT COMPANY NAME HERE>. ANY
 REPRODUCTION IN PART OR AS A WHOLE
 WITHOUT THE WRITTEN PERMISSION OF
 <INSERT COMPANY NAME HERE> IS
 PROHIBITED.

NEXT ASSY

USED ON

APPLICATION



UNLESS OTHERWISE SPECIFIED:

DIMENSIONS ARE IN INCHES
 TOLERANCES:
 FRACTIONAL ±
 ANGULAR: MACH ± BEND ±
 TWO PLACE DECIMAL ±
 THREE PLACE DECIMAL ±

INTERPRET GEOMETRIC
 TOLERANCING PER:

MATERIAL

FINISH

DO NOT SCALE DRAWING

NAME

DATE

DRAWN

CHECKED

ENG APPR.

MFG APPR.

Q.A.

COMMENTS:

ALUMINUM 0.0635"

TITLE:

BOL-2PLR-20W-MG-CFA-44X10-30K

SIZE DWG. NO.

REV

A

SCALE: 1:3 WEIGHT:

SHEET 8 OF 9

PROPRIETARY AND CONFIDENTIAL

THE INFORMATION CONTAINED IN THIS DRAWING IS THE SOLE PROPERTY OF <INSERT COMPANY NAME HERE>. ANY REPRODUCTION IN PART OR AS A WHOLE WITHOUT THE WRITTEN PERMISSION OF <INSERT COMPANY NAME HERE> IS PROHIBITED.

NEXT ASSY

USED ON

APPLICATION

