

ALL BEND RADIUS .030"

UNLESS OTHERWISE SPECIFIED:

DIMENSIONS ARE IN INCHES  
 TOLERANCES:  
 FRACTIONAL ± .003  
 ANGULAR: MACH ± .01 BEND ±  
 TWO PLACE DECIMAL ±  
 THREE PLACE DECIMAL ±.001

INTERPRET GEOMETRIC  
 TOLERANCING PER:

MATERIAL

FINISH

NAME	DATE
DRAWN	
CHECKED	
ENG APPR.	
MFG APPR.	
Q.A.	
COMMENTS:	

FIXTURE HEAD

TITLE:

FLO2112L-MBK-A-41K

SIZE	DWG. NO.	REV
<b>A</b>	TICKET 25027	
SCALE: 1:7	WEIGHT:	SHEET 1 OF 15

5

4

3

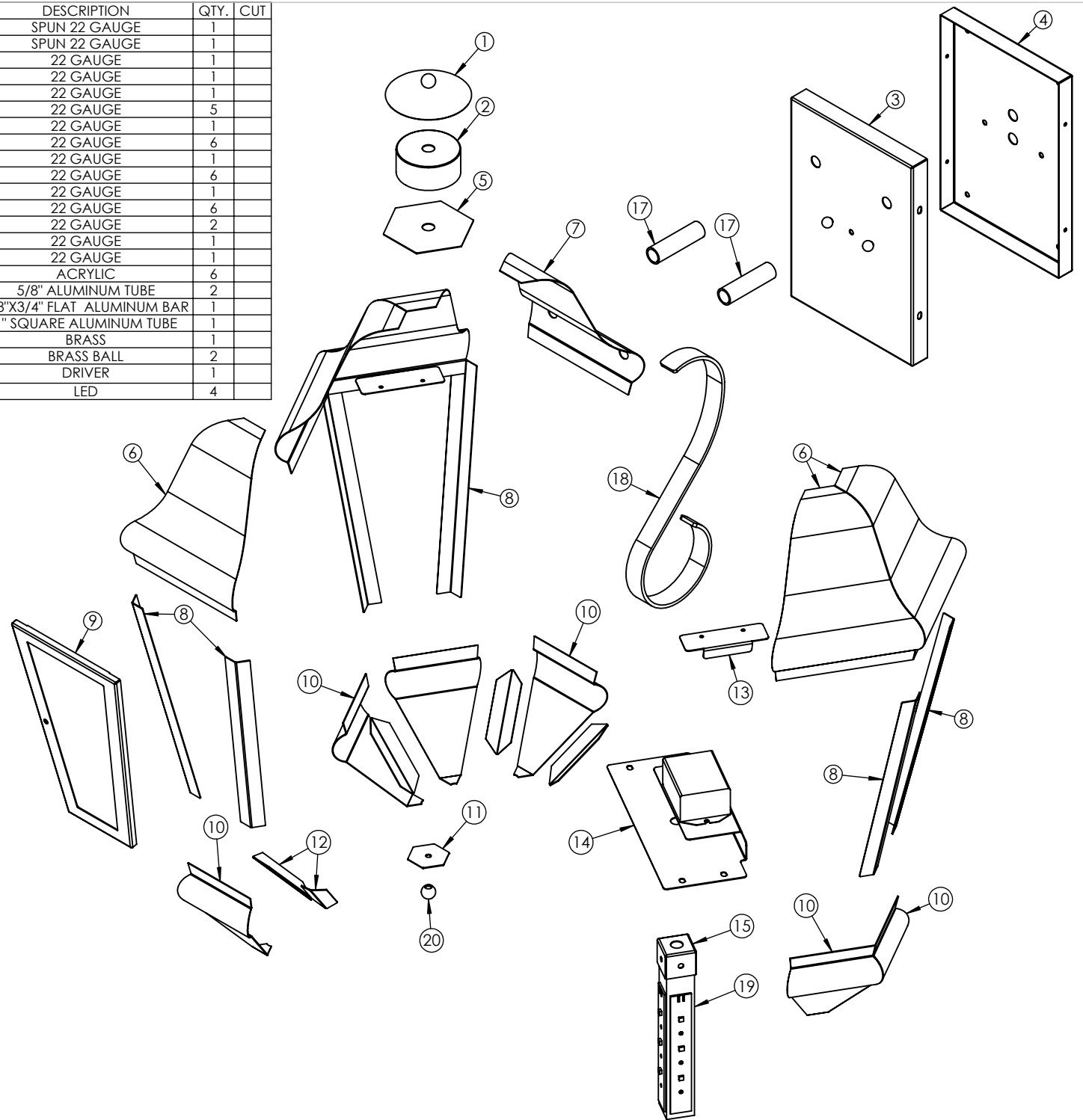
2

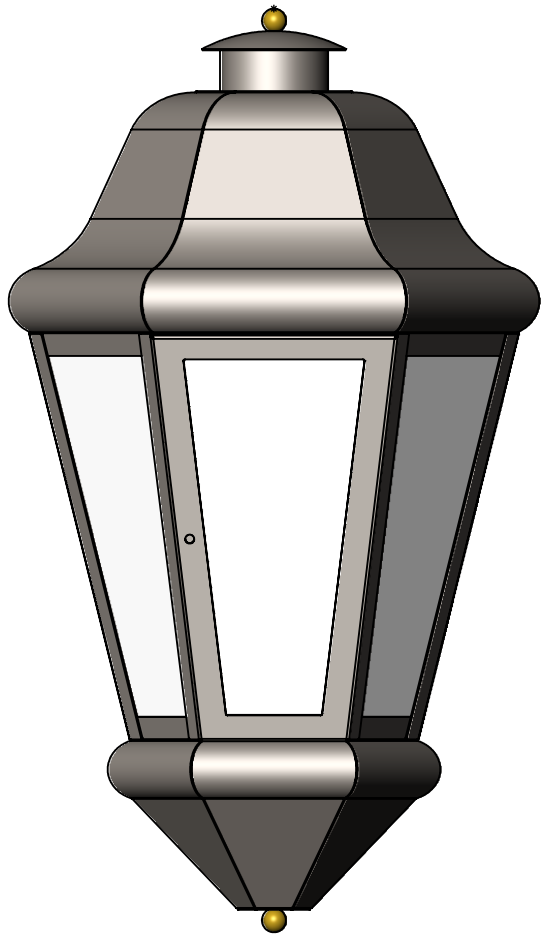
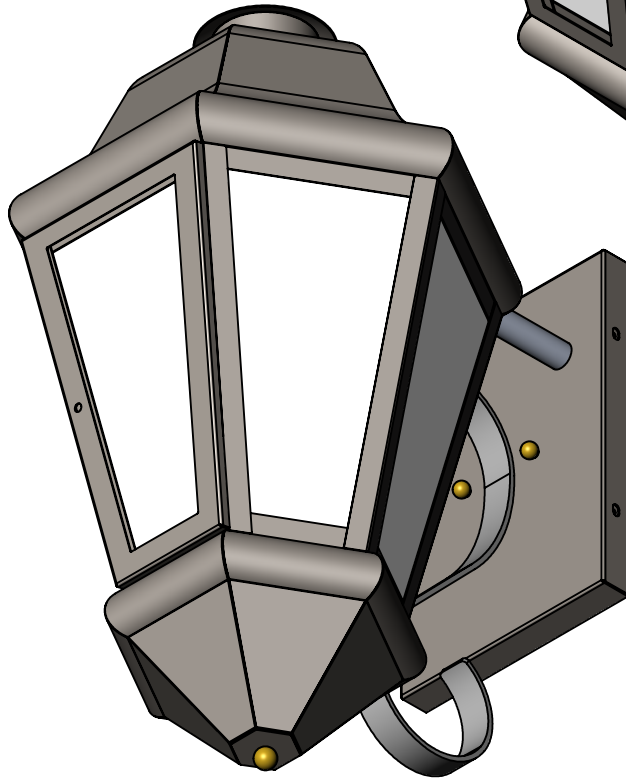
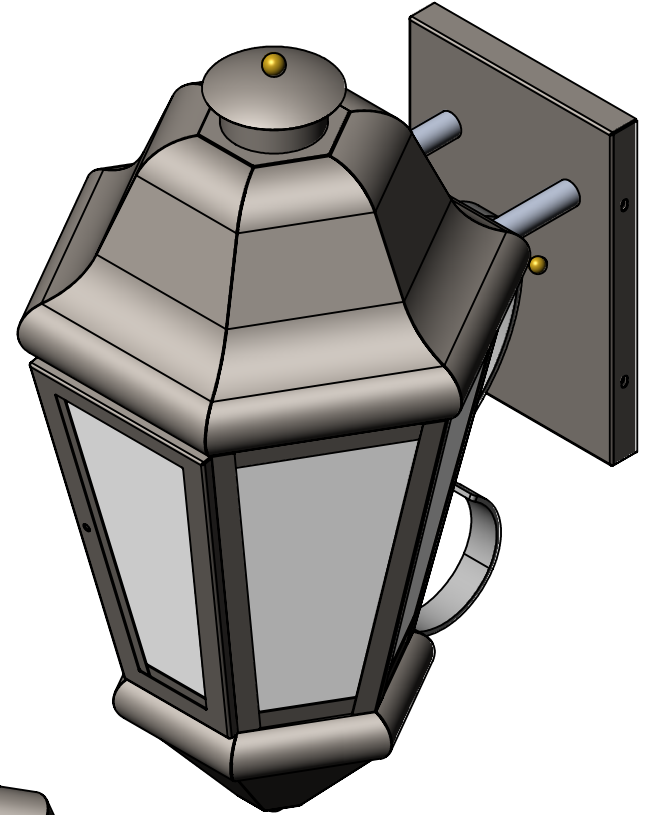
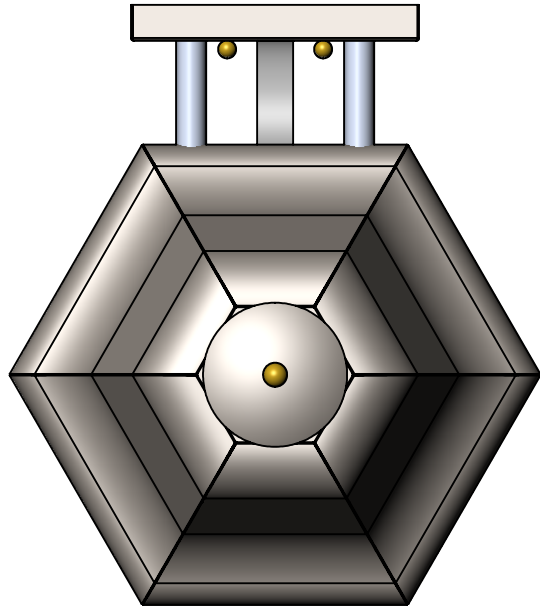
1

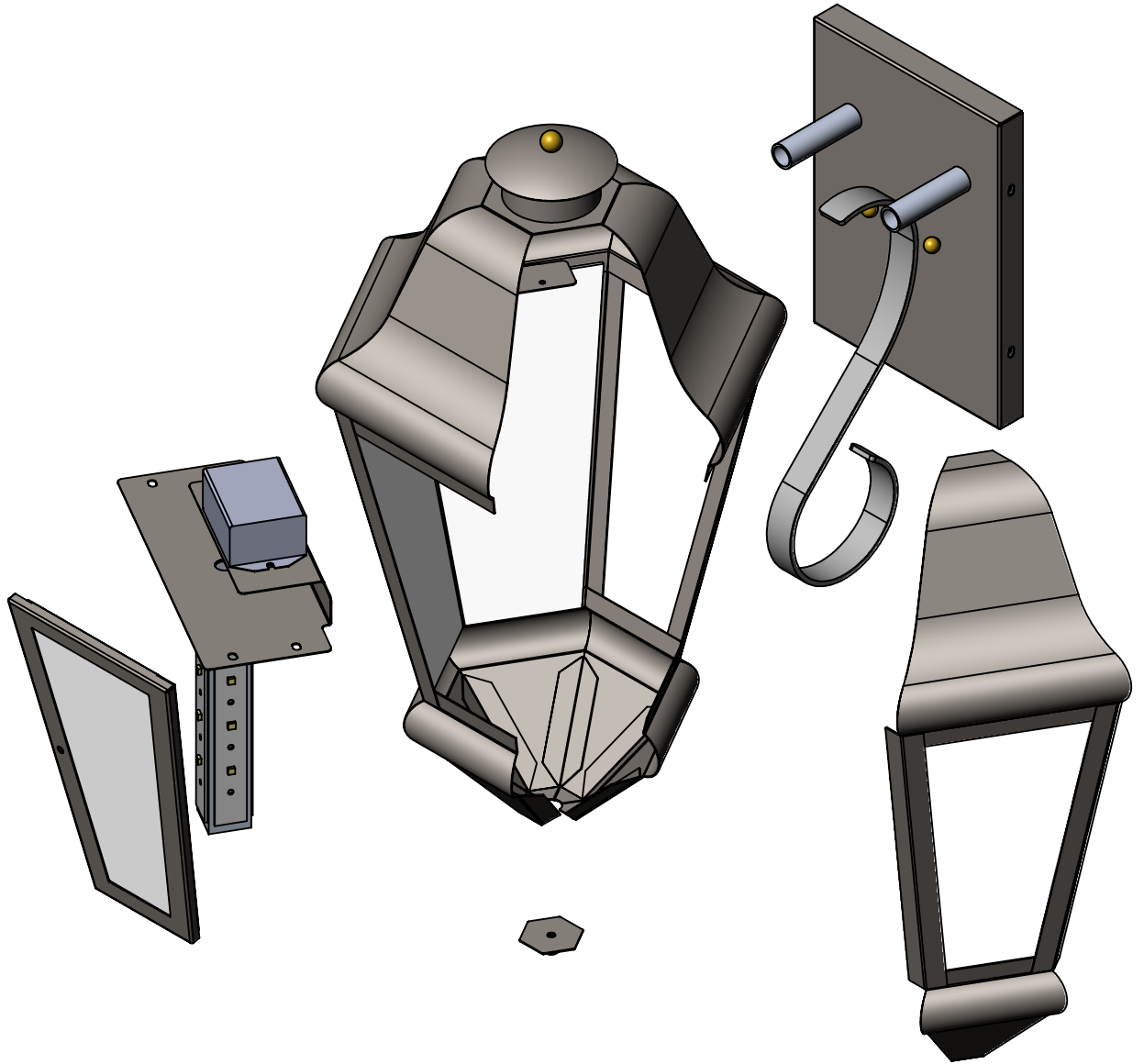
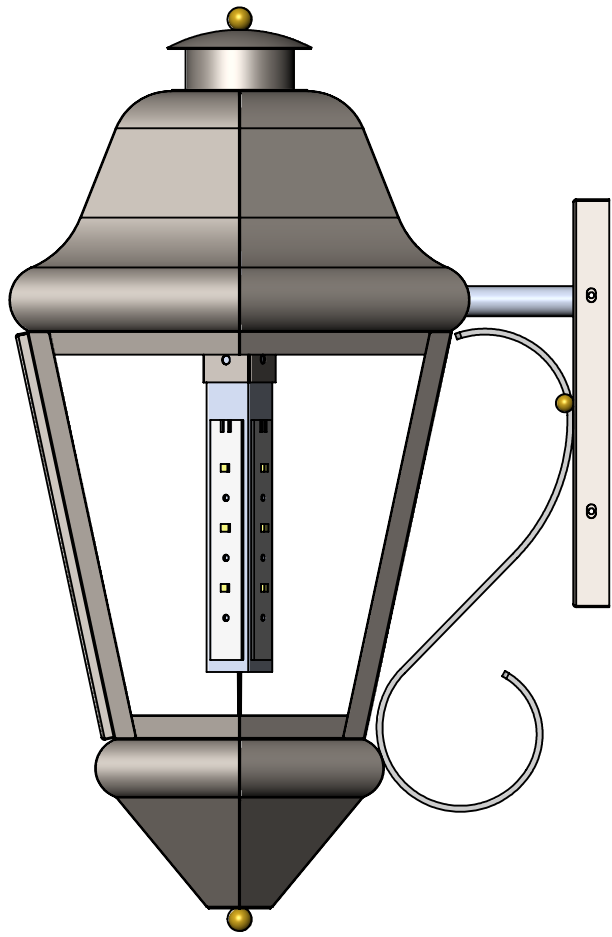
APPLICATION

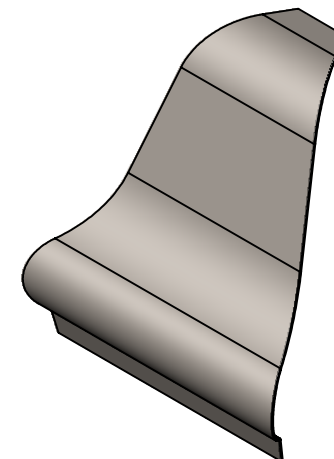
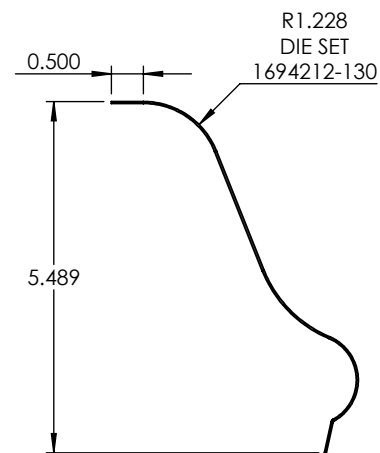
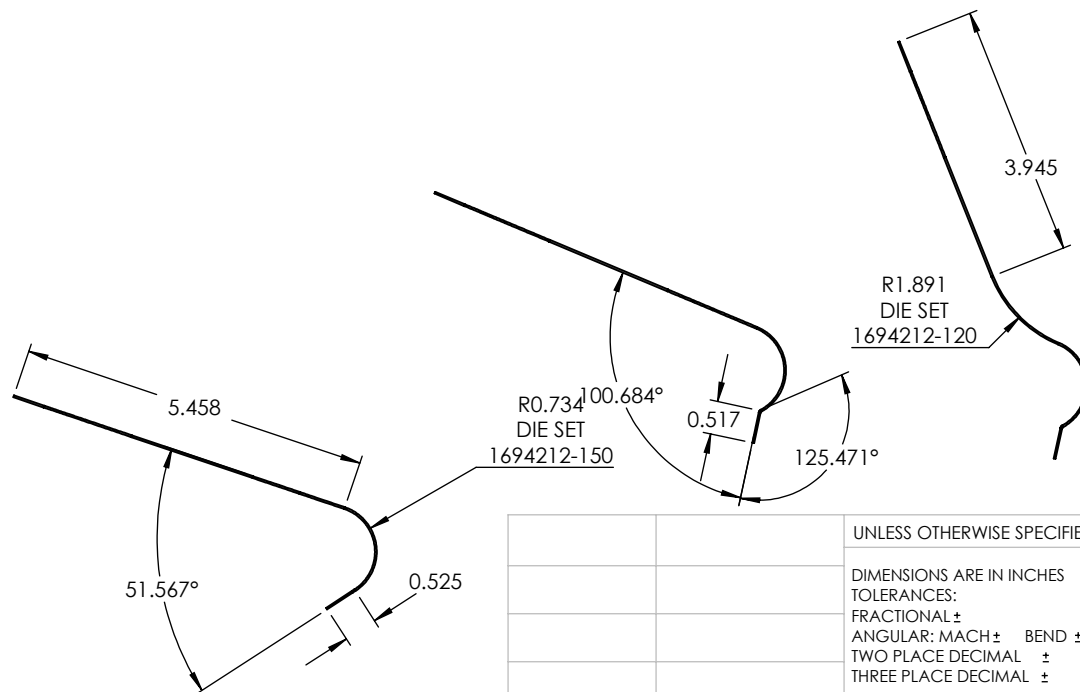
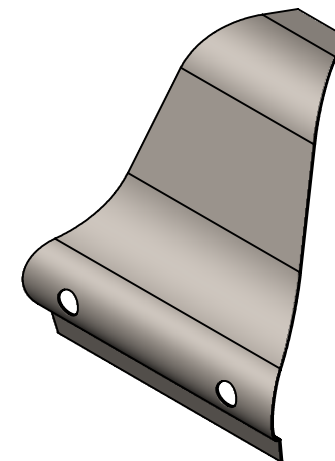
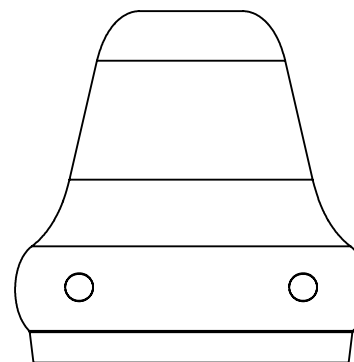
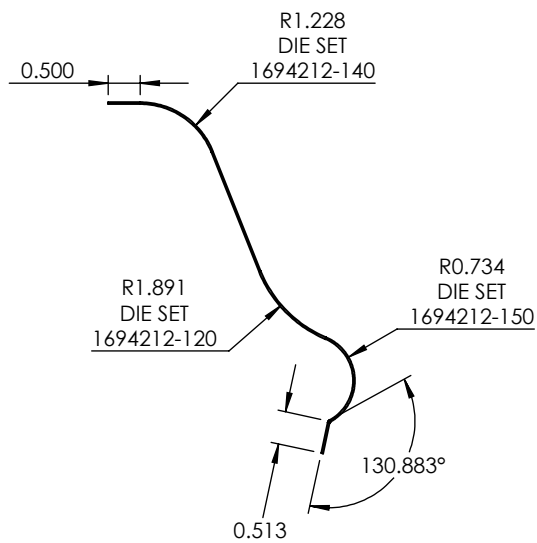
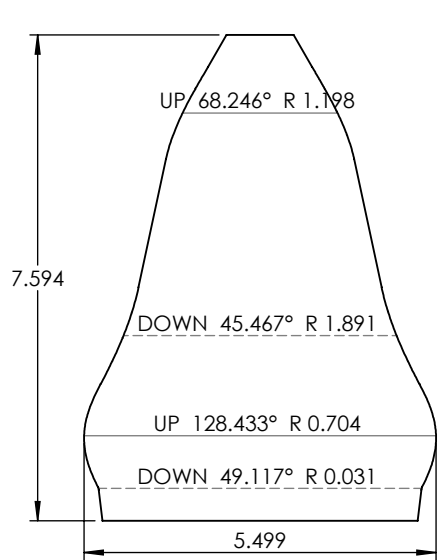
DO NOT SCALE DRAWING

ITEM NO.	PART NUMBER	DESCRIPTION	QTY.	CUT
1	FLO2112L-AB-WF-30K-TOP SPUN BOWL	SPUN 22 GAUGE	1	
2	FLO2112L-AB-WF-30K-TOP SPUN CUP	SPUN 22 GAUGE	1	
3	FLO2112L-AB-WF-30K-BACKPLATE	22 GAUGE	1	
4	FLO2112L-AB-WF-30K-FIREPLATE	22 GAUGE	1	
5	FLO2112L-AB-WF-30K-TOP CAP	22 GAUGE	1	
6	FLO2112L-AB-WF-30K-FRAME TOP BEND	22 GAUGE	5	
7	FLO2112L-AB-WF-30K-BACK FRAME	22 GAUGE	1	
8	FLO2112L-AB-WF-30K-FRAME TABS	22 GAUGE	6	
9	FLO2112L-AB-WF-30K-DOOR	22 GAUGE	1	
10	FLO2112L-AB-WF-30K-FRAME BOTTOM BEND	22 GAUGE	6	
11	FLO2112L-AB-WF-30K-BOTTOM CAP	22 GAUGE	1	
12	FLO2112L-AB-WF-30K-BOTTOM TAB	22 GAUGE	6	
13	FLO2112L-AB-WF-30K-BRACKET TABS	22 GAUGE	2	
14	FLO2112L-AB-WF-30K-LED BRACKET	22 GAUGE	1	
15	FLO2112L-AB-WF-30K-TUBE BRACKET	22 GAUGE	1	
16	FLO2112L-AB-WF-30K-ACRYLIC	ACRYLIC	6	
17	FLO2112L-AB-WF-30K-0.625" ROUND TUBE	5/8" ALUMINUM TUBE	2	
18	FLO2112L-AB-WF-30K-FLAT ALUMINUM BAR	1/8"X3/4" FLAT ALUMINUM BAR	1	
19	FLO2112L-AB-WF-30K-SQUARE TUBE	1" SQUARE ALUMINUM TUBE	1	
20	.5 BRASS BALL	BRASS	1	
21	.375 BRASS BALL	BRASS BALL	2	
22	Espen VEL19070MVH-1	DRIVER	1	
23	AltILED_PN1012_RevD	LED	4	









**PROPRIETARY AND CONFIDENTIAL**  
 THE INFORMATION CONTAINED IN THIS DRAWING IS THE SOLE PROPERTY OF <INSERT COMPANY NAME HERE>. ANY REPRODUCTION IN PART OR AS A WHOLE WITHOUT THE WRITTEN PERMISSION OF <INSERT COMPANY NAME HERE> IS PROHIBITED.

		UNLESS OTHERWISE SPECIFIED:	NAME	DATE
		DIMENSIONS ARE IN INCHES TOLERANCES: FRACTIONAL ± ANGULAR: MACH ± BEND ± TWO PLACE DECIMAL ± THREE PLACE DECIMAL ±	DRAWN	
		INTERPRET GEOMETRIC TOLERANCING PER:	CHECKED	
		MATERIAL	ENG APPR.	
		FINISH	MFG APPR.	
NEXT ASSY	USED ON		Q.A.	
			COMMENTS:	
APPLICATION				
		DO NOT SCALE DRAWING		

22 GAUGE		
TITLE: FLO2112L-MBK-A-41K		
SIZE <b>A</b>	DWG. NO.	REV
SCALE: 1:3	WEIGHT:	SHEET 5 OF 15

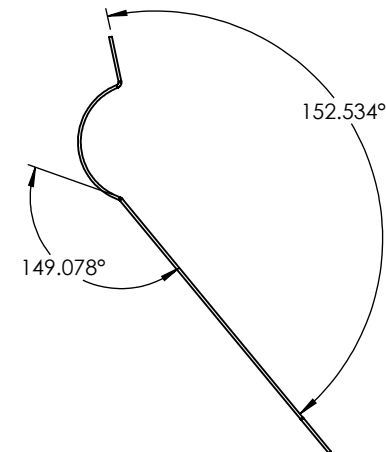
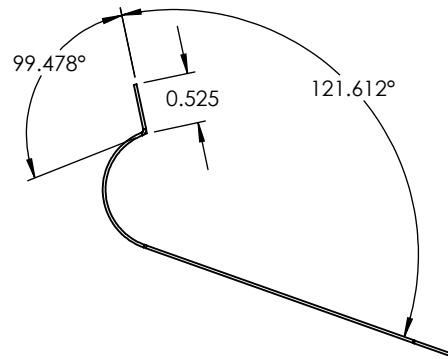
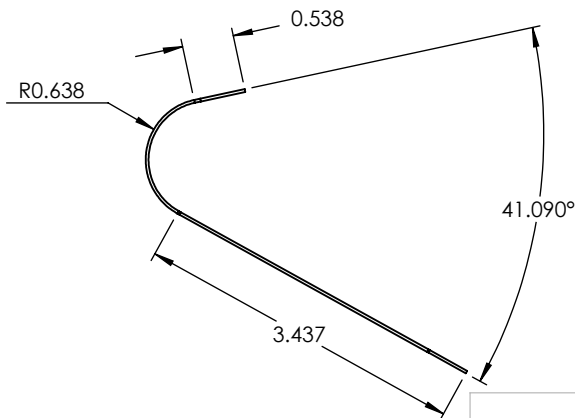
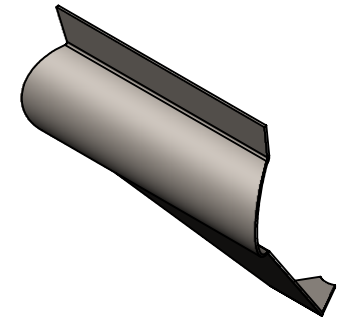
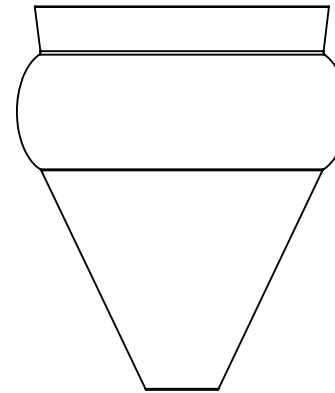
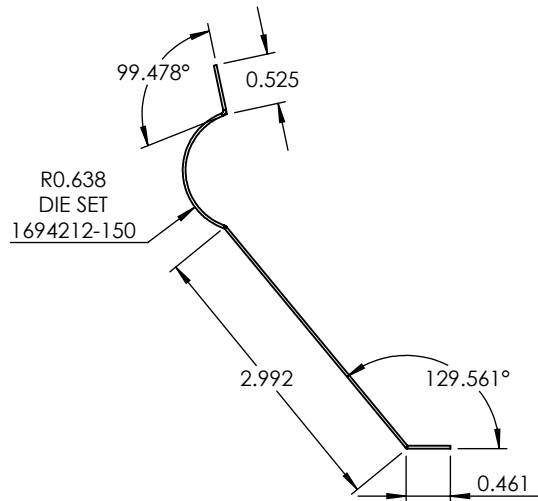
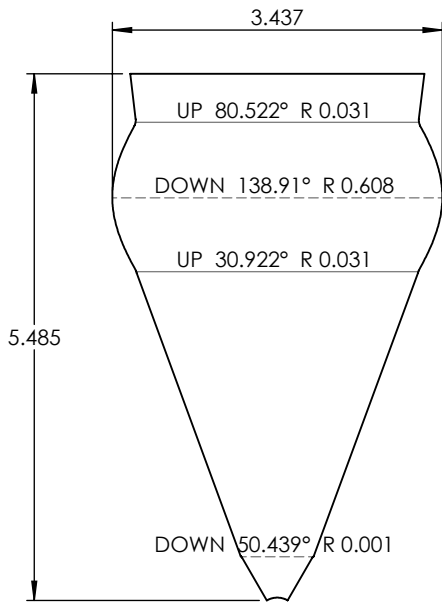
5

4

3

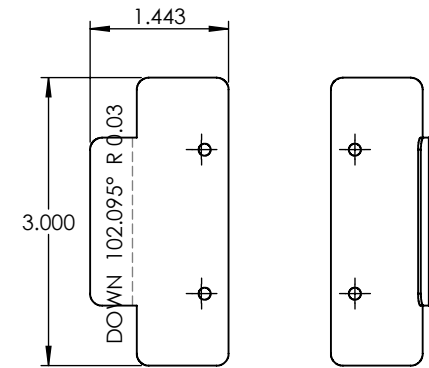
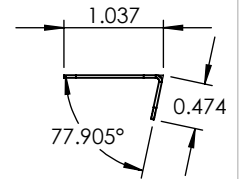
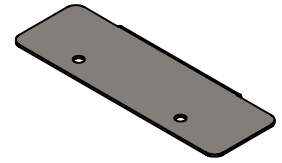
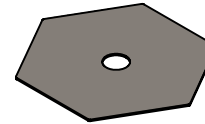
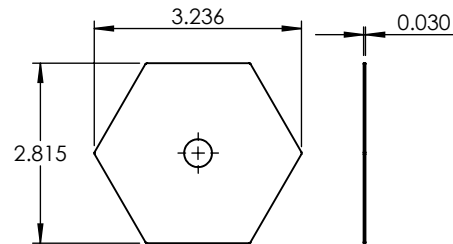
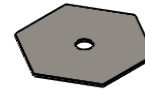
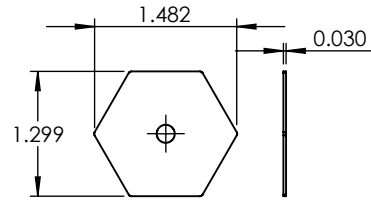
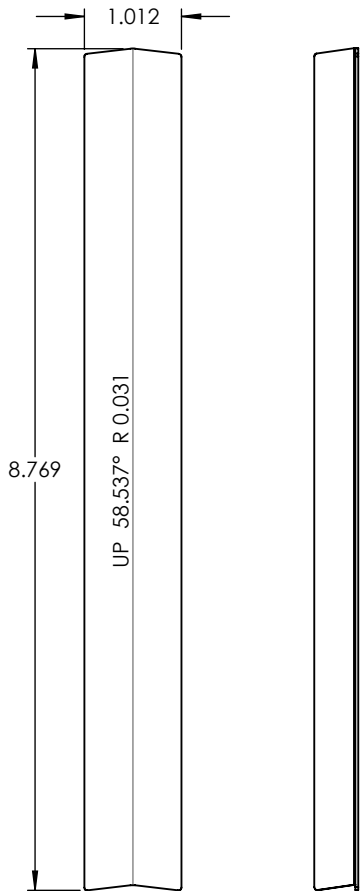
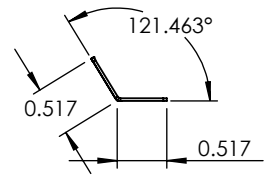
2

1



**PROPRIETARY AND CONFIDENTIAL**  
 THE INFORMATION CONTAINED IN THIS DRAWING IS THE SOLE PROPERTY OF <INSERT COMPANY NAME HERE>. ANY REPRODUCTION IN PART OR AS A WHOLE WITHOUT THE WRITTEN PERMISSION OF <INSERT COMPANY NAME HERE> IS PROHIBITED.

		UNLESS OTHERWISE SPECIFIED:		NAME	DATE	22 GAUGE		
		DIMENSIONS ARE IN INCHES		DRAWN		TITLE:  FLO2112L-MBK-A-41K		
		TOLERANCES:		CHECKED				
		FRACTIONAL ±		ENG APPR.				
		ANGULAR: MACH ± BEND ±		MFG APPR.				
		TWO PLACE DECIMAL ±		Q.A.		SIZE	DWG. NO.	REV
		THREE PLACE DECIMAL ±		COMMENTS:		<b>A</b>		
		INTERPRET GEOMETRIC TOLERANCING PER:				SCALE: 1:2	WEIGHT:	SHEET 6 OF 15
		MATERIAL						
		FINISH						
	NEXT ASSY	USED ON						
	APPLICATION	DO NOT SCALE DRAWING						



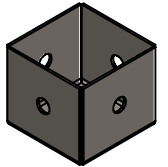
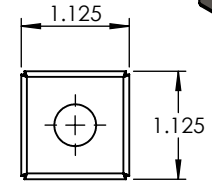
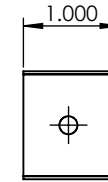
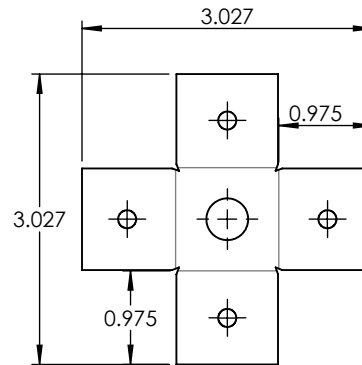
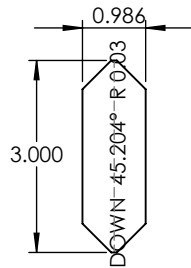
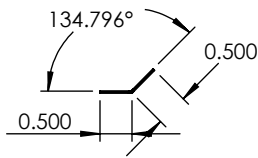
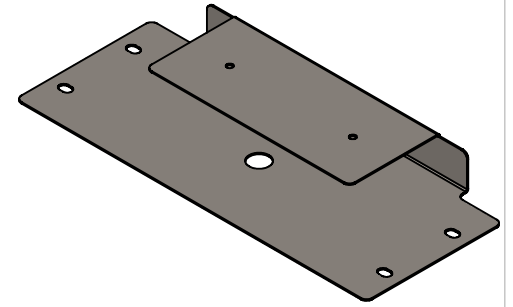
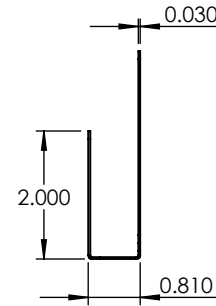
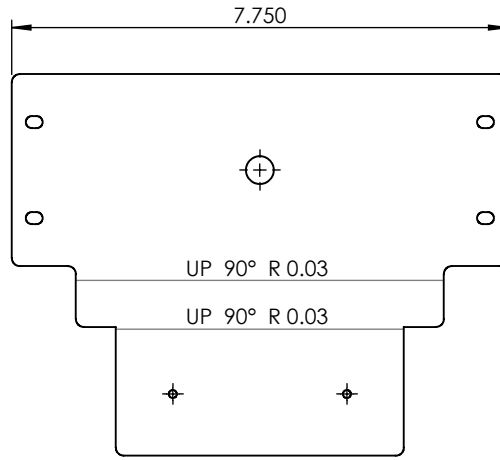
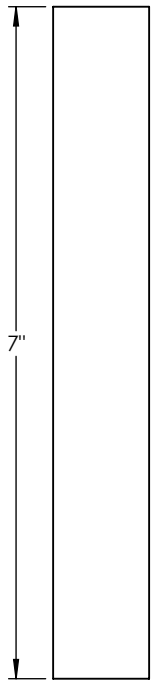
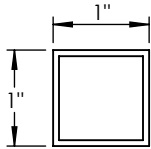
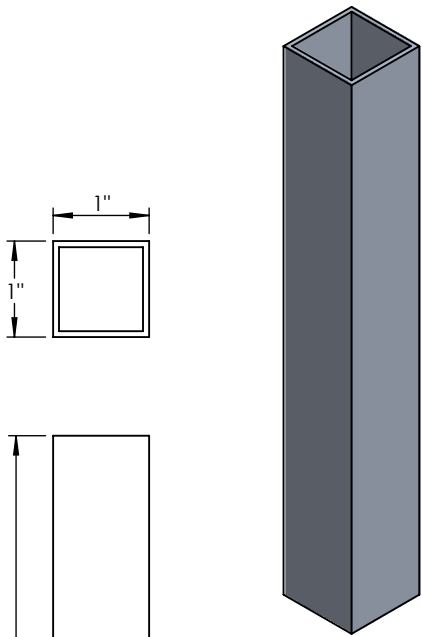
**PROPRIETARY AND CONFIDENTIAL**  
 THE INFORMATION CONTAINED IN THIS DRAWING IS THE SOLE PROPERTY OF <INSERT COMPANY NAME HERE>. ANY REPRODUCTION IN PART OR AS A WHOLE WITHOUT THE WRITTEN PERMISSION OF <INSERT COMPANY NAME HERE> IS PROHIBITED.

		UNLESS OTHERWISE SPECIFIED:		NAME	DATE
		DIMENSIONS ARE IN INCHES	DRAWN		
		TOLERANCES:	CHECKED		
		FRACTIONAL ±	ENG APPR.		
		ANGULAR: MACH ± BEND ±	MFG APPR.		
		TWO PLACE DECIMAL ±	Q.A.		
		THREE PLACE DECIMAL ±	COMMENTS:		
		INTERPRET GEOMETRIC TOLERANCING PER:			
		MATERIAL			
NEXT ASSY	USED ON	FINISH			
APPLICATION		DO NOT SCALE DRAWING			

22 GAUGE

TITLE:  
 FLO2112L-MBK-A-41K

SIZE	DWG. NO.	REV
<b>A</b>		
SCALE: 1:2	WEIGHT:	SHEET 7 OF 15



UNLESS OTHERWISE SPECIFIED:

DIMENSIONS ARE IN INCHES  
 TOLERANCES:  
 FRACTIONAL ±  
 ANGULAR: MACH ± BEND ±  
 TWO PLACE DECIMAL ±  
 THREE PLACE DECIMAL ±

INTERPRET GEOMETRIC  
 TOLERANCING PER:

MATERIAL

FINISH

DO NOT SCALE DRAWING

	NAME	DATE
DRAWN		
CHECKED		
ENG APPR.		
MFG APPR.		
Q.A.		
COMMENTS:		

1" SQUARE ALUMINUM TUBE

TITLE:

FLO2112L-MBK-A-41K

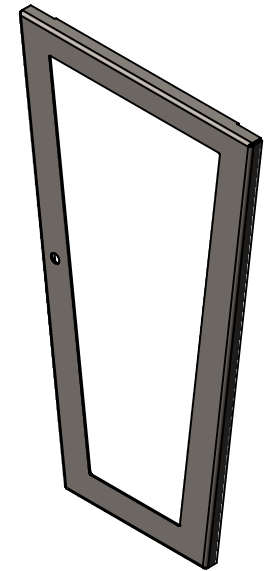
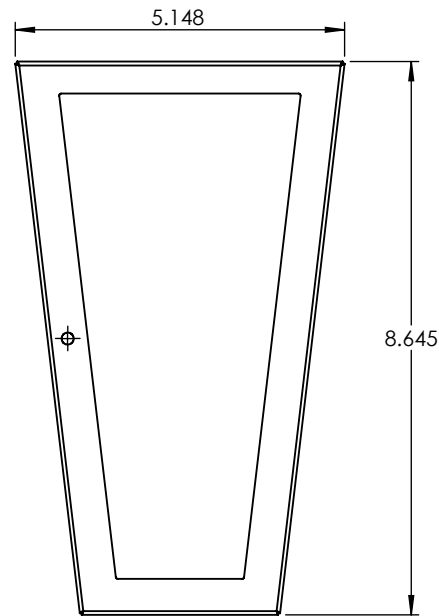
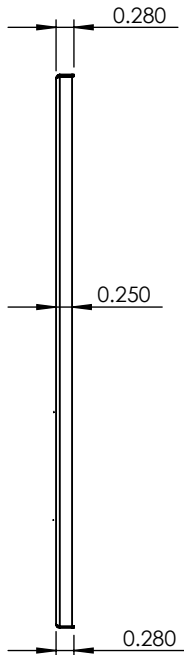
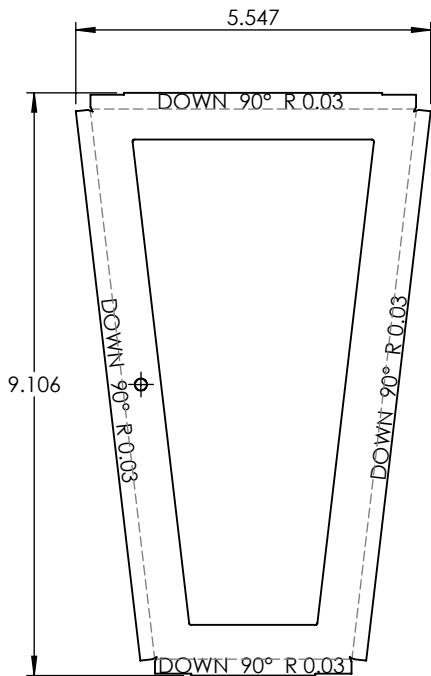
SIZE	DWG. NO.	REV
<b>A</b>		

SCALE: 1:3 WEIGHT: SHEET 8 OF 15

**PROPRIETARY AND CONFIDENTIAL**  
 THE INFORMATION CONTAINED IN THIS  
 DRAWING IS THE SOLE PROPERTY OF  
 <INSERT COMPANY NAME HERE>. ANY  
 REPRODUCTION IN PART OR AS A WHOLE  
 WITHOUT THE WRITTEN PERMISSION OF  
 <INSERT COMPANY NAME HERE> IS  
 PROHIBITED.

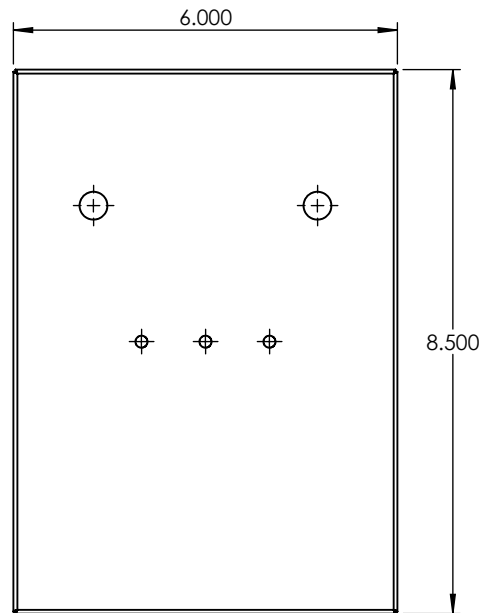
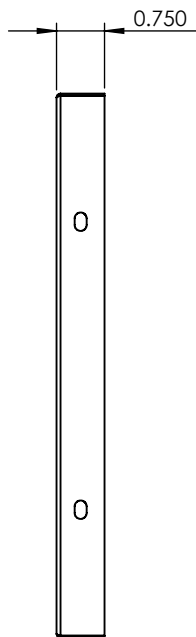
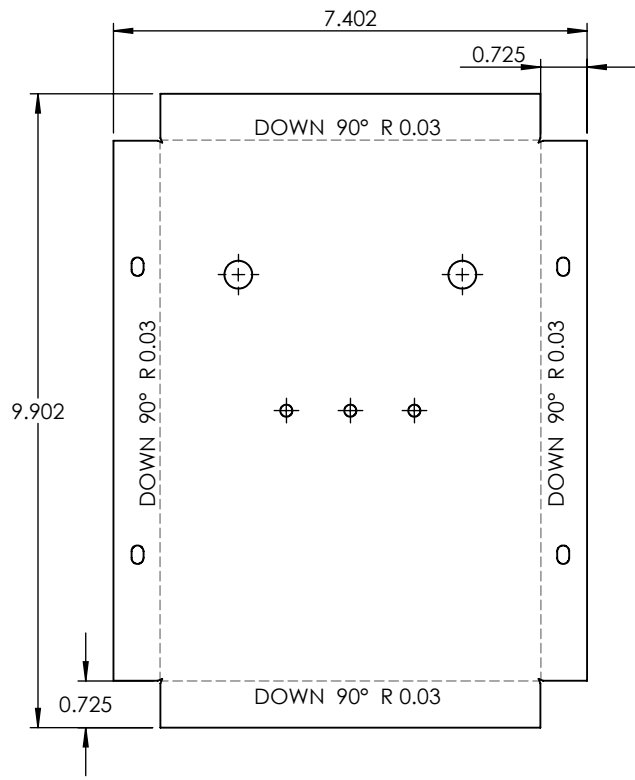
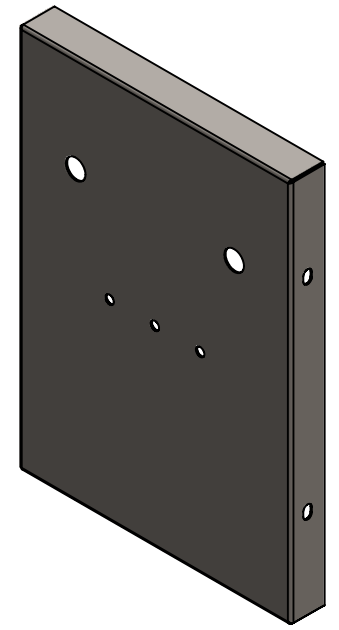
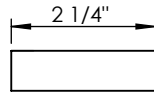
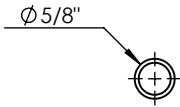
NEXT ASSY	USED ON	APPLICATION





**PROPRIETARY AND CONFIDENTIAL**  
 THE INFORMATION CONTAINED IN THIS DRAWING IS THE SOLE PROPERTY OF <INSERT COMPANY NAME HERE>. ANY REPRODUCTION IN PART OR AS A WHOLE WITHOUT THE WRITTEN PERMISSION OF <INSERT COMPANY NAME HERE> IS PROHIBITED.

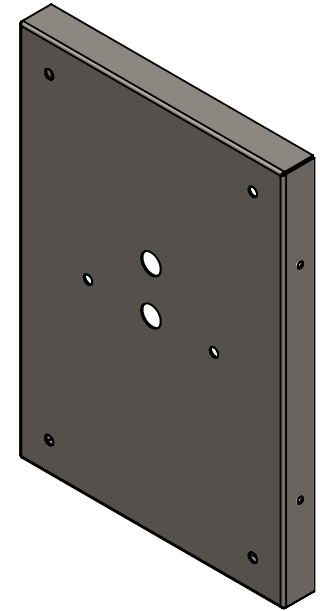
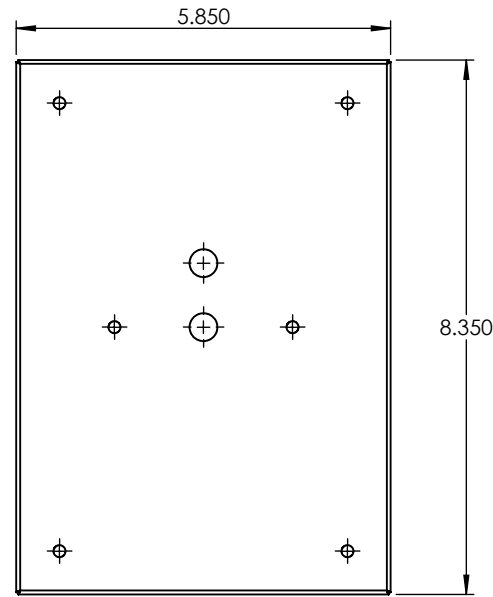
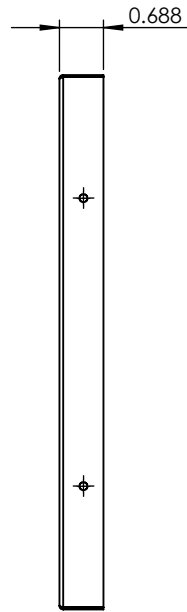
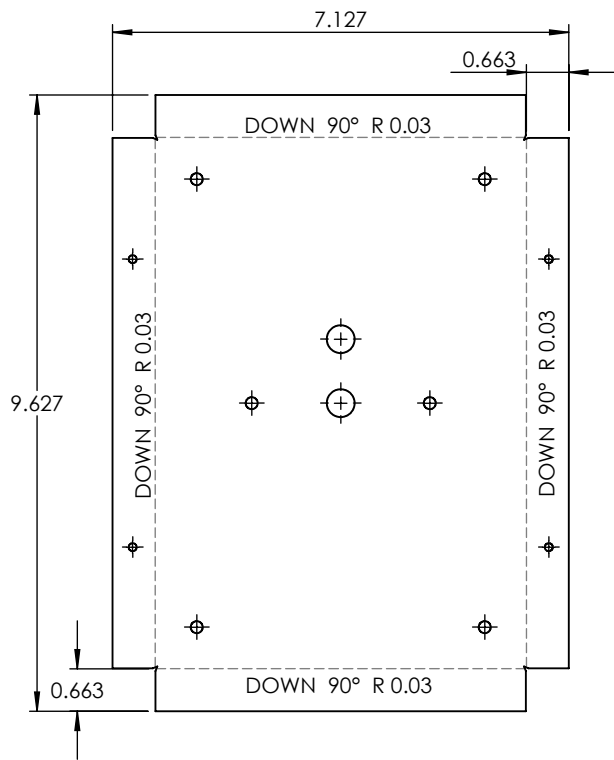
		UNLESS OTHERWISE SPECIFIED:	NAME	DATE	22 GAUGE	
		DIMENSIONS ARE IN INCHES TOLERANCES: FRACTIONAL ± ANGULAR: MACH ± BEND ± TWO PLACE DECIMAL ± THREE PLACE DECIMAL ±	DRAWN			
		INTERPRET GEOMETRIC TOLERANCING PER:	CHECKED		SIZE DWG. NO. REV	
		MATERIAL	ENG APPR.			
		FINISH	MFG APPR.			
NEXT ASSY	USED ON		Q.A.			
APPLICATION		DO NOT SCALE DRAWING	COMMENTS:			



**PROPRIETARY AND CONFIDENTIAL**  
 THE INFORMATION CONTAINED IN THIS DRAWING IS THE SOLE PROPERTY OF <INSERT COMPANY NAME HERE>. ANY REPRODUCTION IN PART OR AS A WHOLE WITHOUT THE WRITTEN PERMISSION OF <INSERT COMPANY NAME HERE> IS PROHIBITED.

		UNLESS OTHERWISE SPECIFIED:		NAME	DATE
		DIMENSIONS ARE IN INCHES		DRAWN	
		TOLERANCES:		CHECKED	
		FRACTIONAL ±		ENG APPR.	
		ANGULAR: MACH ± BEND ±		MFG APPR.	
		TWO PLACE DECIMAL ±		Q.A.	
		THREE PLACE DECIMAL ±		COMMENTS:	
		INTERPRET GEOMETRIC TOLERANCING PER:			
		MATERIAL			
		FINISH			
NEXT ASSY	USED ON				
APPLICATION	DO NOT SCALE DRAWING				

<b>22 GAUGE</b>		
TITLE: <b>FLO2112L-MBK-A-41K</b>		
SIZE	DWG. NO.	REV
<b>A</b>		
SCALE: 1:3	WEIGHT:	SHEET 10 OF 15



**PROPRIETARY AND CONFIDENTIAL**  
 THE INFORMATION CONTAINED IN THIS DRAWING IS THE SOLE PROPERTY OF <INSERT COMPANY NAME HERE>. ANY REPRODUCTION IN PART OR AS A WHOLE WITHOUT THE WRITTEN PERMISSION OF <INSERT COMPANY NAME HERE> IS PROHIBITED.

		UNLESS OTHERWISE SPECIFIED:		NAME	DATE
		DIMENSIONS ARE IN INCHES	DRAWN		
		TOLERANCES:	CHECKED		
		FRACTIONAL ±	ENG APPR.		
		ANGULAR: MACH ± BEND ±	MFG APPR.		
		TWO PLACE DECIMAL ±	Q.A.		
		THREE PLACE DECIMAL ±	COMMENTS:		
		INTERPRET GEOMETRIC TOLERANCING PER:			
		MATERIAL			
NEXT ASSY	USED ON	FINISH			
APPLICATION		DO NOT SCALE DRAWING			

22 GAUGE		
TITLE: FLO2112L-MBK-A-41K		
SIZE <b>A</b>	DWG. NO.	REV
SCALE: 1:3	WEIGHT:	SHEET 11 OF 15

5

4

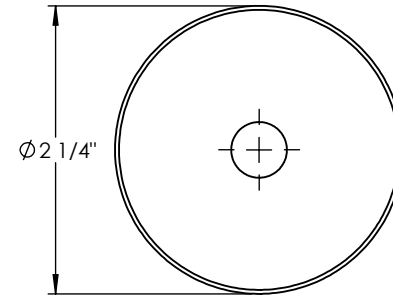
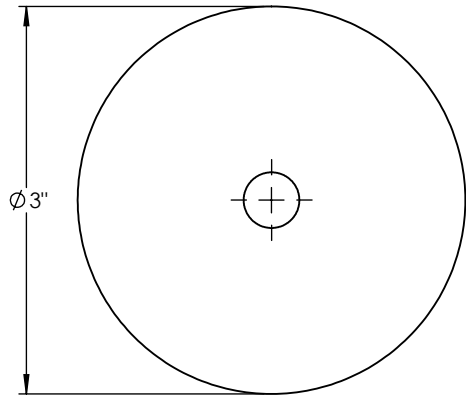
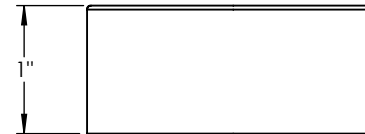
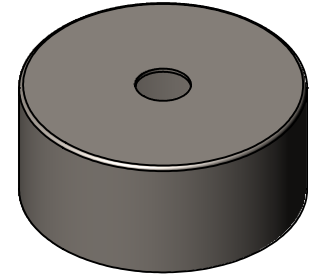
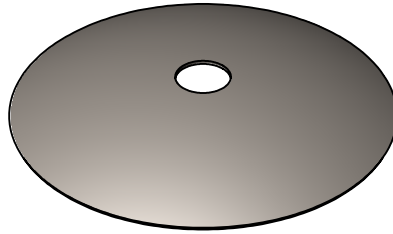
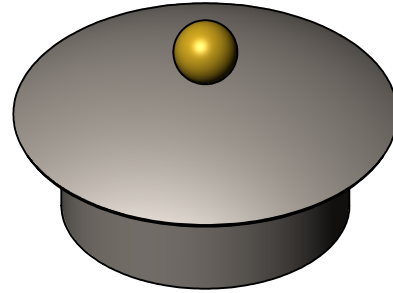
3

2

1

ITEM NO.	PART NUMBER	DESCRIPTION	QTY.
1	FLO2112L-AB-WF-30K-TOP SPUN CAP	SPUN 22 GAUGE	1

ITEM NO.	PART NUMBER	DESCRIPTION	QTY.
1	FLO2112L-AB-WF-30K-TOP SPUN CUP	SPUN 22 GAUGE	1



**PROPRIETARY AND CONFIDENTIAL**  
 THE INFORMATION CONTAINED IN THIS DRAWING IS THE SOLE PROPERTY OF <INSERT COMPANY NAME HERE>. ANY REPRODUCTION IN PART OR AS A WHOLE WITHOUT THE WRITTEN PERMISSION OF <INSERT COMPANY NAME HERE> IS PROHIBITED.

		UNLESS OTHERWISE SPECIFIED:	NAME	DATE	TITLE: <b>SPUN 22 GAUGE</b>	
		DIMENSIONS ARE IN INCHES TOLERANCES: FRACTIONAL ± ANGULAR: MACH ± BEND ± TWO PLACE DECIMAL ± THREE PLACE DECIMAL ±	DRAWN			
		INTERPRET GEOMETRIC TOLERANCING PER:	CHECKED		FLO2112L-MBK-A-41K	
		MATERIAL	ENG APPR.			
NEXT ASSY	USED ON	FINISH	MFG APPR.		SIZE	DWG. NO.
APPLICATION		DO NOT SCALE DRAWING	Q.A.		<b>A</b>	
			COMMENTS:		SCALE: 1:1.5	WEIGHT:
5	4	3	2	1	SHEET 12 OF 15	

