

UNLESS OTHERWISE SPECIFIED:

DIMENSIONS ARE IN INCHES  
 TOLERANCES:  
 FRACTIONAL ± .003  
 ANGULAR: MACH ± .01 BEND ±  
 TWO PLACE DECIMAL ±  
 THREE PLACE DECIMAL ±.001

INTERPRET GEOMETRIC  
 TOLERANCING PER:

MATERIAL

FINISH

ALL BEND RADIUS .030"

APPLICATION

DO NOT SCALE DRAWING

NAME DATE

DRAWN

CHECKED

ENG APPR.

MFG APPR.

Q.A.

COMMENTS:

TITLE:

GLB-PFCY-20-40LED-TVP-A-ELVDIM-62'OA  
 30K

SIZE DWG. NO.

REV

**A** TICKET 25032

SCALE: 1:13 WEIGHT:

SHEET 1 OF 9



**EVERGREEN LIGHTING**

5

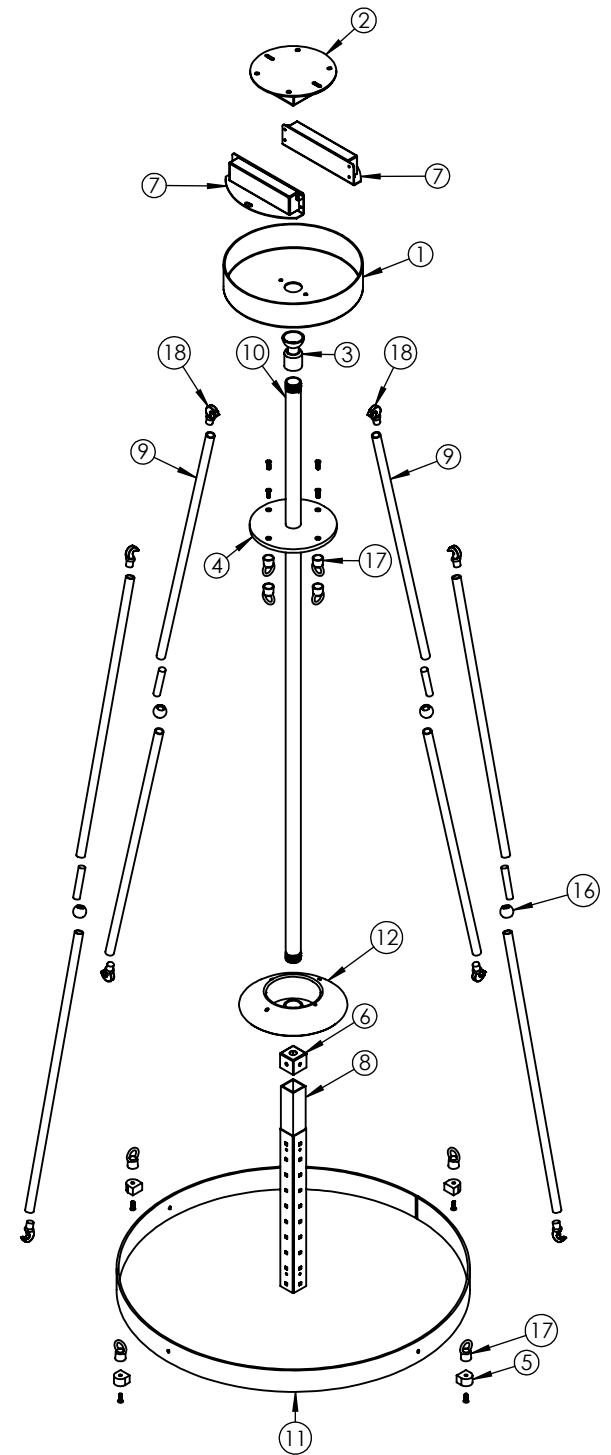
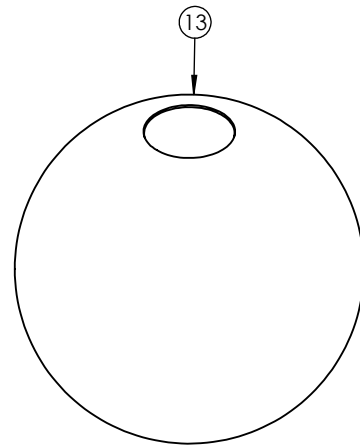
4

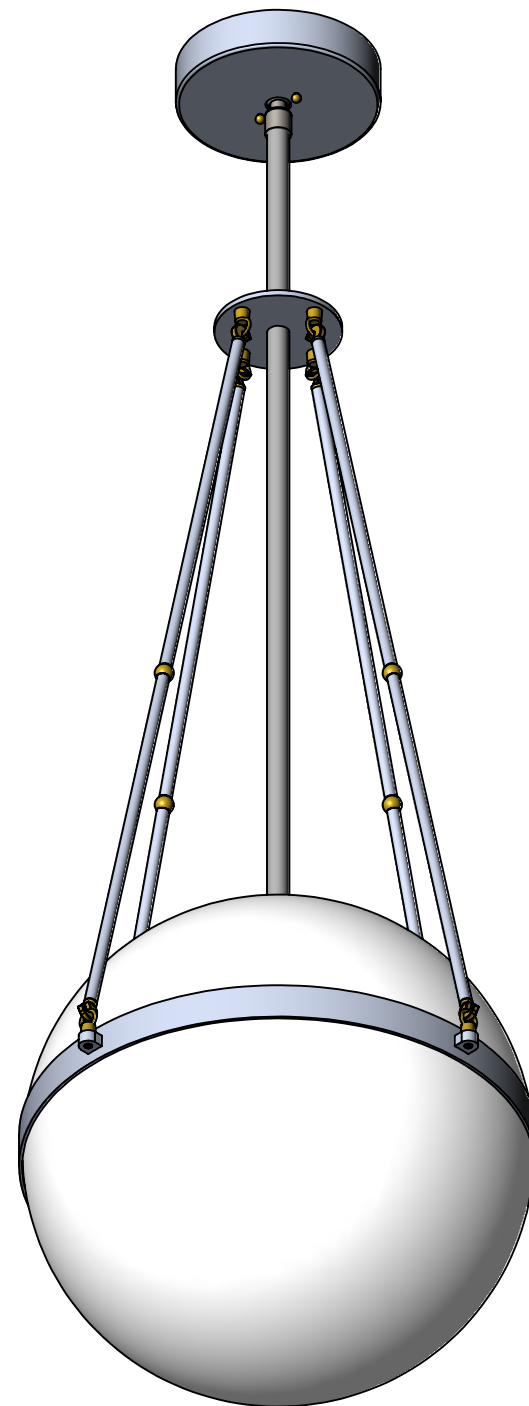
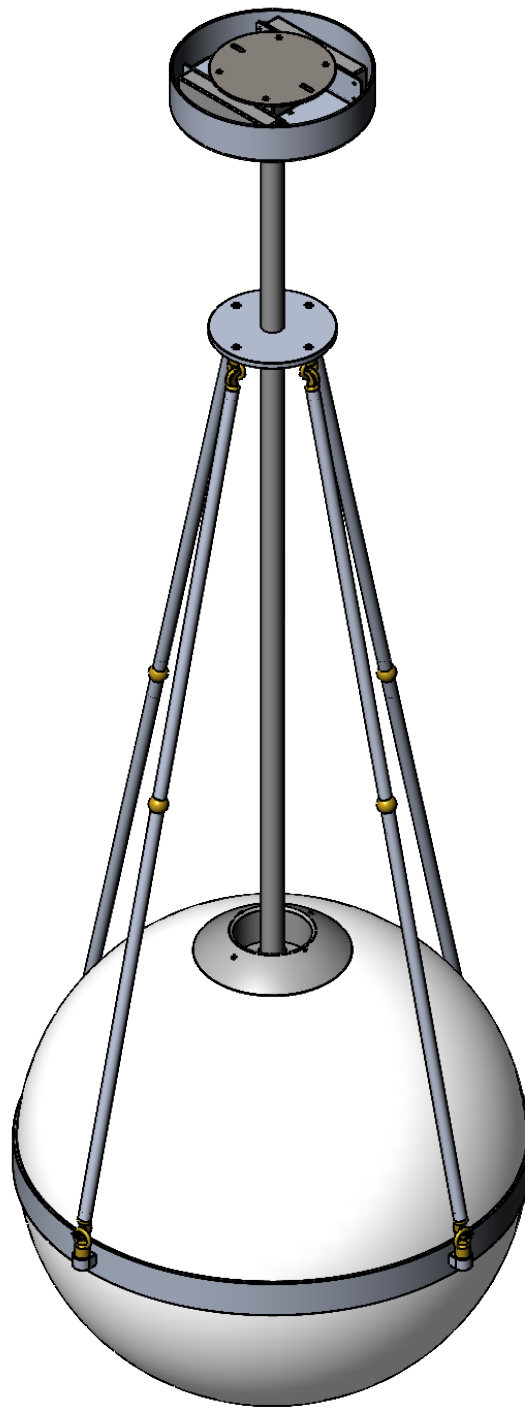
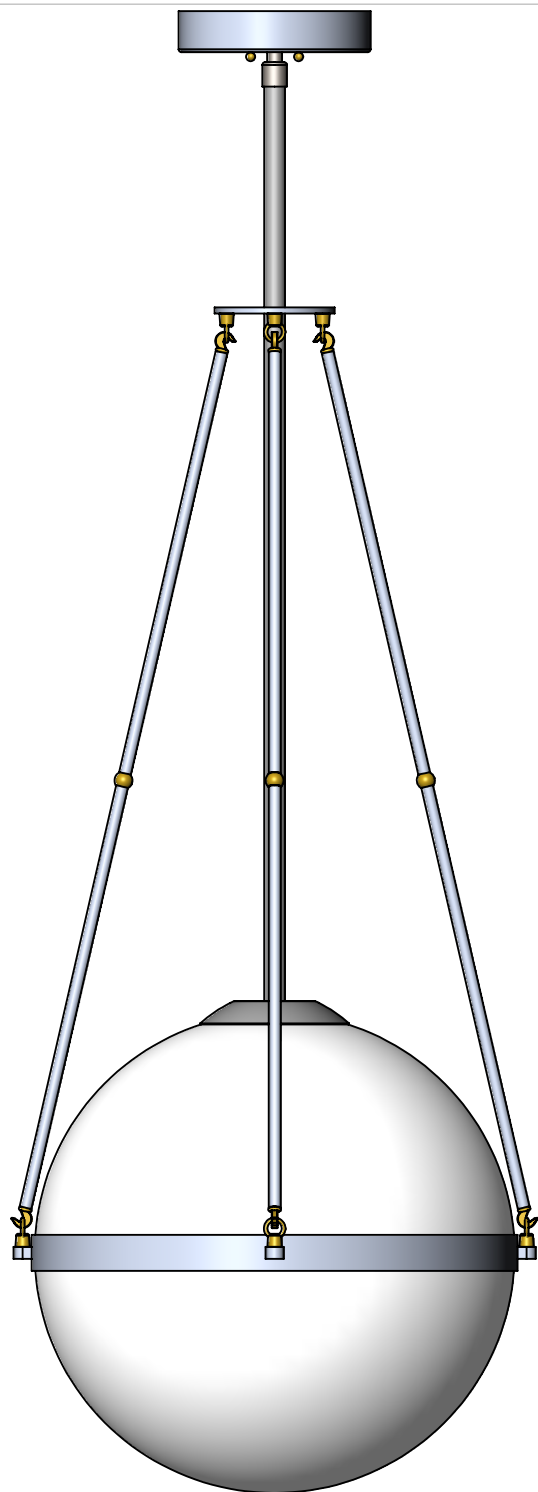
3

2

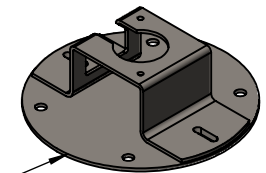
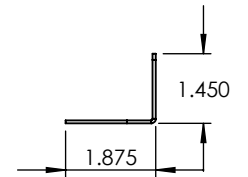
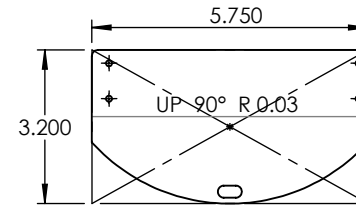
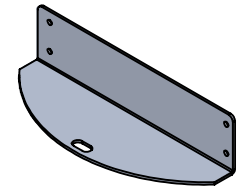
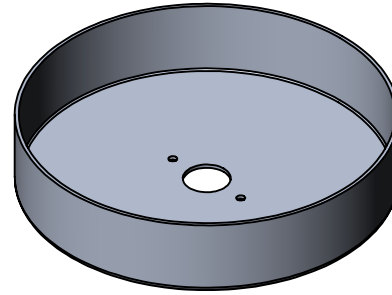
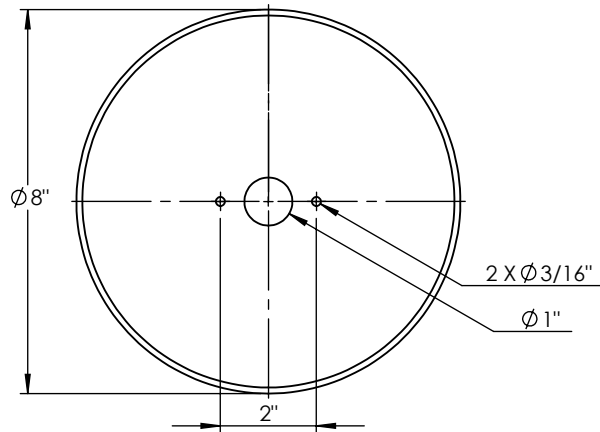
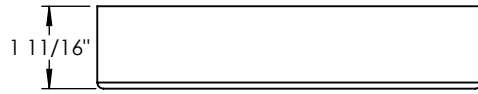
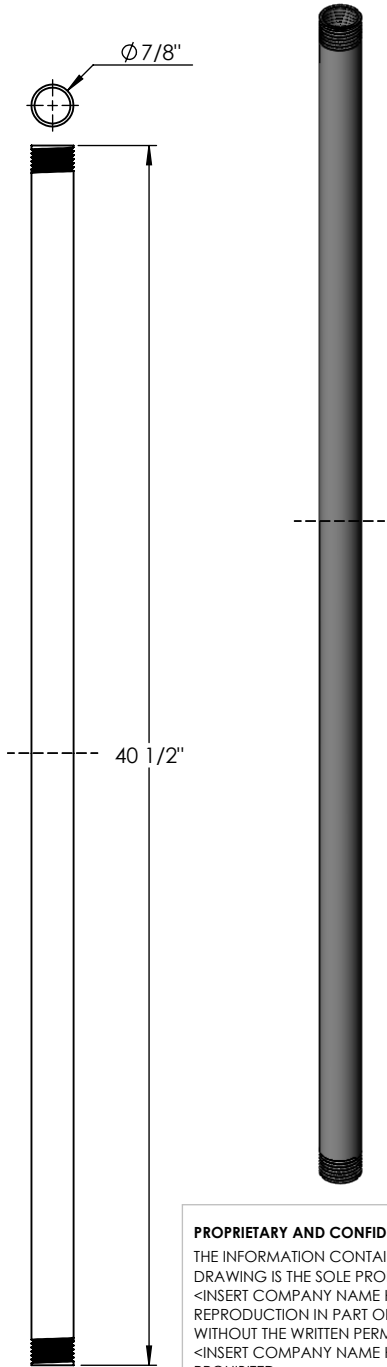
1

ITEM NO.	PART NUMBER	DESCRIPTION	QTY.	CUT
1	8" SWIVEL CANOPY	SPUN ALUMINUM 0.080"	1	
2	SWIVEL BRACKET	SWIVEL BRACKET	1	
3	SWIVEL	SWIVEL	1	
4	GLB-PFCY-20-40LED-TVP-A-ELVDIM-62'OAH-30K-COLLECTOR DISK	ALUMINUM 0.250" PLATE	1	
5	GLB-PFCY-20-40LED-TVP-A-ELVDIM-62'OAH-30K-FLAT BAR TAB	ALUMINUM 0.250" PLATE	4	
6	GLB-PFCY-20-40LED-TVP-A-ELVDIM-62'OAH-30K-TUBE BRACKET	22 GAUGE	1	
7	GLB-PFCY-20-40LED-TVP-A-ELVDIM-62'OAH-30K-DRIVER BRACKET	ALUMINUM 0.0635"	2	
8	GLB-PFCY-20-40LED-TVP-A-ELVDIM-62'OAH-30K-SQUARE TUBE	1" SQUARE ALUMINUM TUBE	1	
9	GLB-PFCY-20-40LED-TVP-A-ELVDIM-62'OAH-30K-0.500" ROUND TUBE	5/8" ROUND ALUMINUM TUBE	8	
10	GLB-PFCY-20-40LED-TVP-A-ELVDIM-62'OAH-30K-CONNECTING TUBE .875	7/8" ROUND ALUMINUM TUBE	1	
11	GLB-PFCY-20-40LED-TVP-A-ELVDIM-62'OAH-30K-ACCENT BELT	1-1/2" X 1/8" ALUMINUM FLAT BAR	1	
12	GLB-PFCY-20-40LED-TVP-A-ELVDIM-62'OAH-30K-GLOBE BRACKET	CAST STEEL BRACKET	1	
13	GLB-PFCY-20-40LED-TVP-A-ELVDIM-62'OAH-30K-GLOBE	ACRYLIC GLOBE	1	
14	GLB-PFCY-20-40LED-TVP-A-ELVDIM-62'OAH-30K-NIPPLE	NIPPLE	4	
15	.375 BRASS BALL	BRASS BALL	2	
16	.75" BRASS BALL	BRASS BALL	4	
17	BRASS RING	BRASS	8	
18	BRASS HOOK	BRASS	8	
19	KTLD-25-1-700-FDIM-AF4	DRIVER	2	
20	AifaILED_PN110B_RevC	LED	4	





ITEM NO.	PART NUMBER	DESCRIPTION	QTY.
1	8" SWIVEL CANOPY	SPUN ALUMINUM 0.080"	1



**SWIVEL CANOPY**, ajustar altura de spinning al soporte giratorio

**PROPRIETARY AND CONFIDENTIAL**  
 THE INFORMATION CONTAINED IN THIS DRAWING IS THE SOLE PROPERTY OF <INSERT COMPANY NAME HERE>. ANY REPRODUCTION IN PART OR AS A WHOLE WITHOUT THE WRITTEN PERMISSION OF <INSERT COMPANY NAME HERE> IS PROHIBITED.

		UNLESS OTHERWISE SPECIFIED:	NAME	DATE	SPUN ALUMINUM 0.080"	
		DIMENSIONS ARE IN INCHES	DRAWN		TITLE:	
		TOLERANCES:	CHECKED		GLB-PFCY-20-40LED-TVP-A-ELVDIM-62'OAH-30K	
		FRACTIONAL ±	ENG APPR.		SIZE DWG. NO. REV	
		ANGULAR: MACH ± BEND ±	MFG APPR.		A	
		TWO PLACE DECIMAL ±	Q.A.		SCALE: 1:4 WEIGHT: SHEET 4 OF 9	
		THREE PLACE DECIMAL ±	COMMENTS:			
		INTERPRET GEOMETRIC TOLERANCING PER:				
		MATERIAL				
NEXT ASSY	USED ON	FINISH				
APPLICATION		DO NOT SCALE DRAWING				

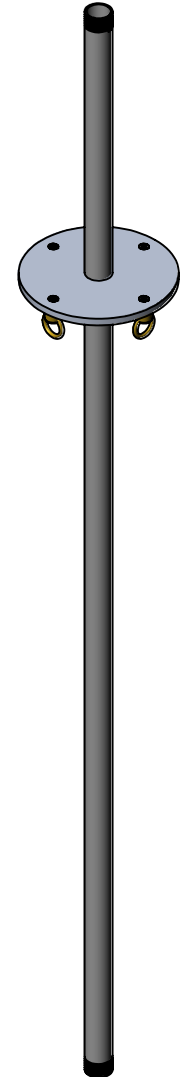
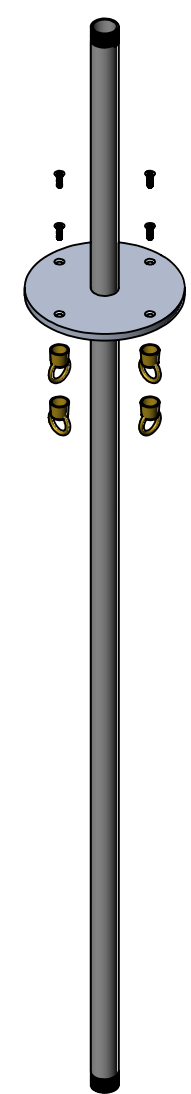
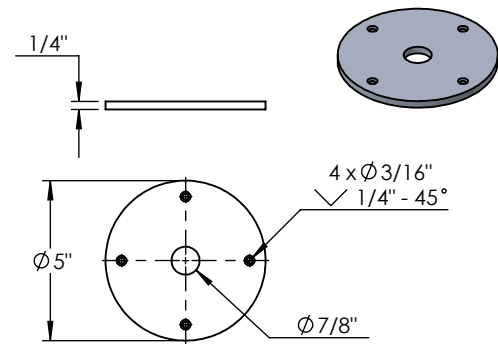
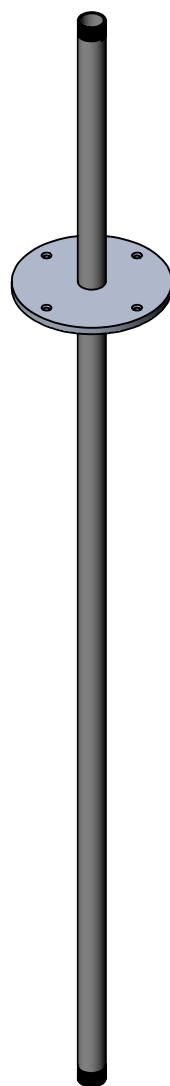
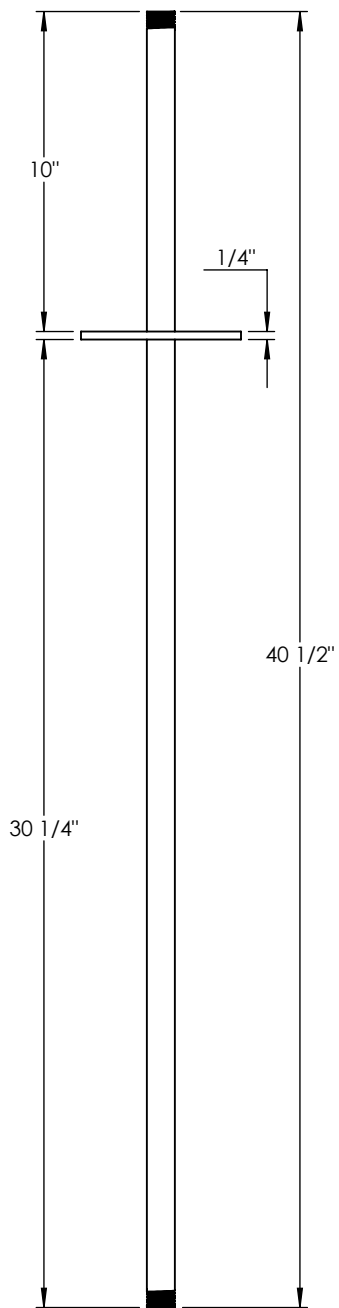
5

4

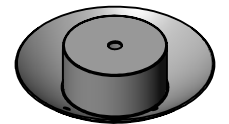
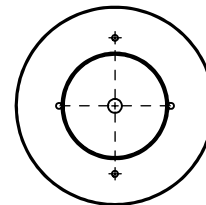
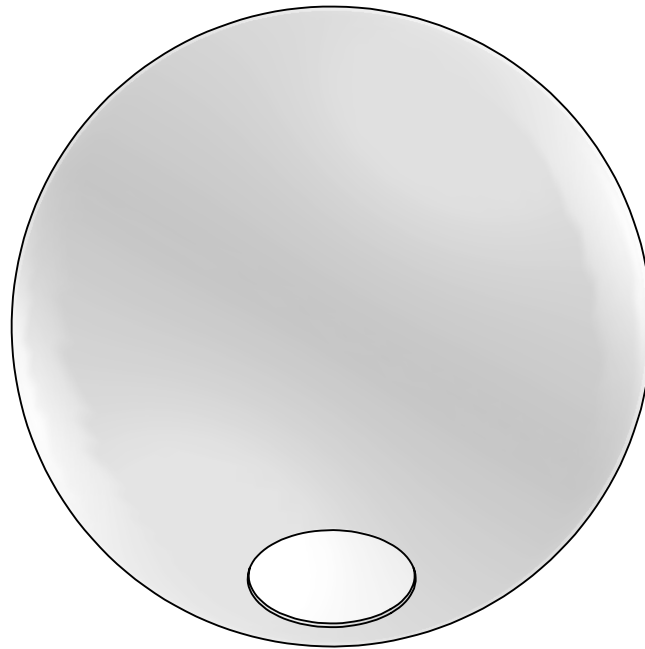
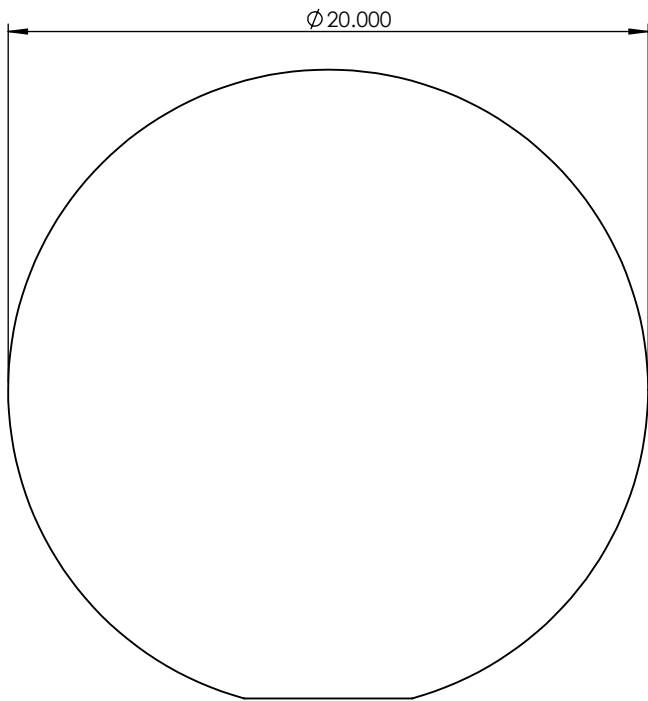
3

2

1



		UNLESS OTHERWISE SPECIFIED:	NAME	DATE	
		DIMENSIONS ARE IN INCHES	DRAWN		
		TOLERANCES:	CHECKED		TITLE:
		FRACTIONAL ±	ENG APPR.		GLB-PFCY-20-40LED-TVP-A-ELVDIM-62'OAH-30
		ANGULAR: MACH ± BEND ±	MFG APPR.		
		TWO PLACE DECIMAL ±	Q.A.		
		THREE PLACE DECIMAL ±	COMMENTS:		
		INTERPRET GEOMETRIC TOLERANCING PER:			SIZE DWG. NO. REV
		MATERIAL			<b>A</b>
NEXT ASSY	USED ON	FINISH			SCALE: 1:6 WEIGHT: SHEET 5 OF 9
APPLICATION		DO NOT SCALE DRAWING			



**PROPRIETARY AND CONFIDENTIAL**  
 THE INFORMATION CONTAINED IN THIS DRAWING IS THE SOLE PROPERTY OF <INSERT COMPANY NAME HERE>. ANY REPRODUCTION IN PART OR AS A WHOLE WITHOUT THE WRITTEN PERMISSION OF <INSERT COMPANY NAME HERE> IS PROHIBITED.

		UNLESS OTHERWISE SPECIFIED:		NAME	DATE	ACRYLIC GLOBE		
		DIMENSIONS ARE IN INCHES TOLERANCES: FRACTIONAL ± ANGULAR: MACH ± BEND ± TWO PLACE DECIMAL ± THREE PLACE DECIMAL ±	DRAWN					
		INTERPRET GEOMETRIC TOLERANCING PER:				GLB-PFCY-20-40LED-TVP-A-ELVDIM-62'OAH-30		
		MATERIAL				SIZE	DWG. NO.	REV
		FINISH				<b>A</b>		
NEXT ASSY	USED ON						SCALE: 1:6	WEIGHT:
APPLICATION		DO NOT SCALE DRAWING						

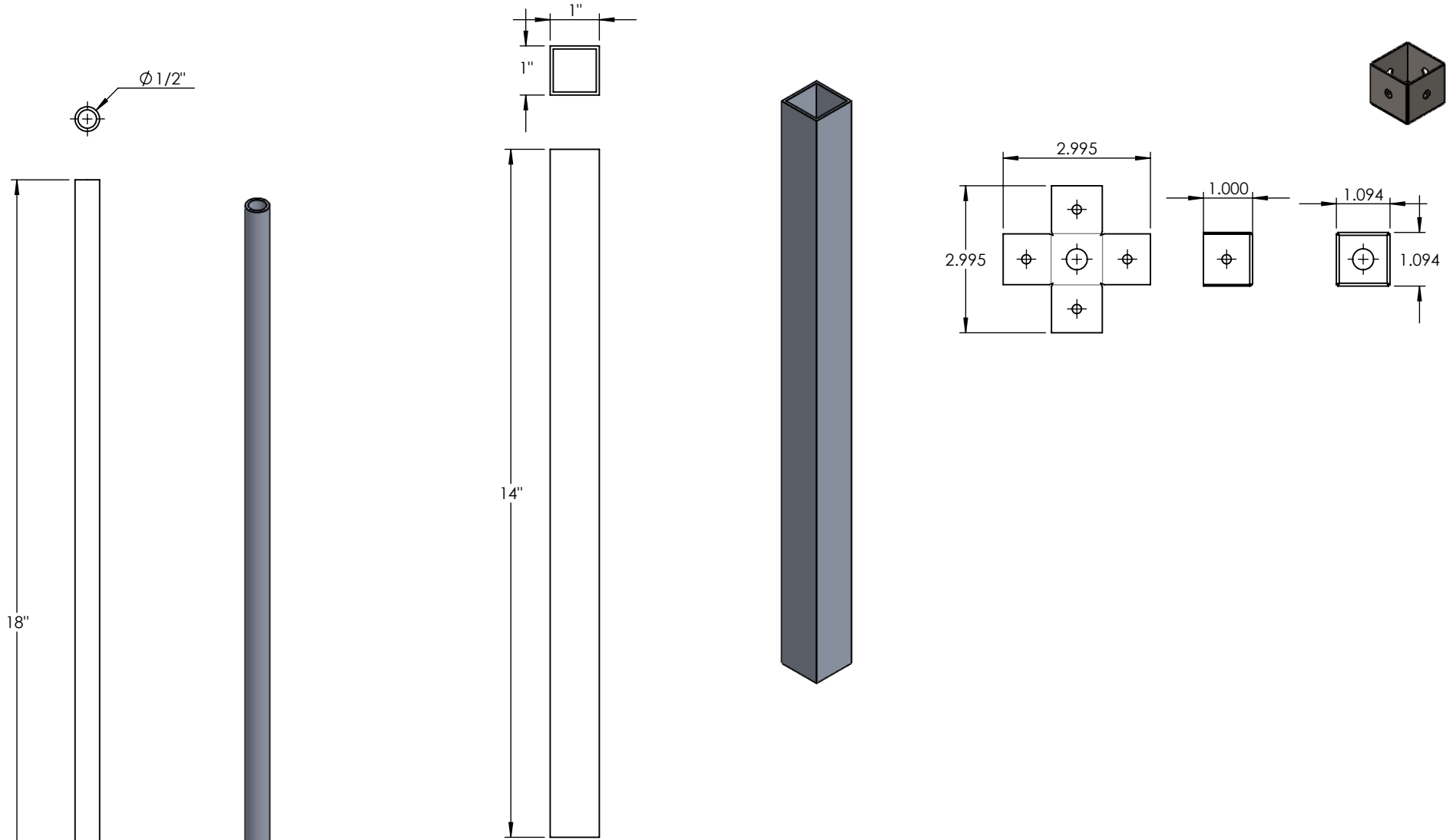
5

4

3

2

1



**PROPRIETARY AND CONFIDENTIAL**  
 THE INFORMATION CONTAINED IN THIS DRAWING IS THE SOLE PROPERTY OF <INSERT COMPANY NAME HERE>. ANY REPRODUCTION IN PART OR AS A WHOLE WITHOUT THE WRITTEN PERMISSION OF <INSERT COMPANY NAME HERE> IS PROHIBITED.

		UNLESS OTHERWISE SPECIFIED:	NAME	DATE
		DIMENSIONS ARE IN INCHES	DRAWN	
		TOLERANCES:	CHECKED	
		FRACTIONAL ±	ENG APPR.	
		ANGULAR: MACH ± BEND ±	MFG APPR.	
		TWO PLACE DECIMAL ±	Q.A.	
		THREE PLACE DECIMAL ±	COMMENTS:	
		INTERPRET GEOMETRIC TOLERANCING PER:		
		MATERIAL		
		FINISH		
NEXT ASSY	USED ON			
APPLICATION	DO NOT SCALE DRAWING			

1" SQUARE ALUMINUM TUBE		
TITLE:		
GLB-PFCY-20-40LED-TVP-A-ELVDIM-62'OAH-30		
SIZE	DWG. NO.	REV
<b>A</b>		
SCALE: 1:3	WEIGHT:	SHEET 7 OF 9

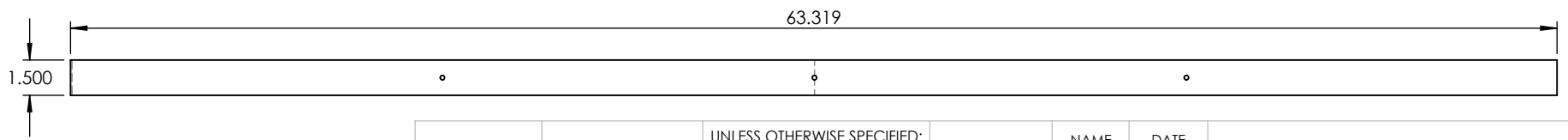
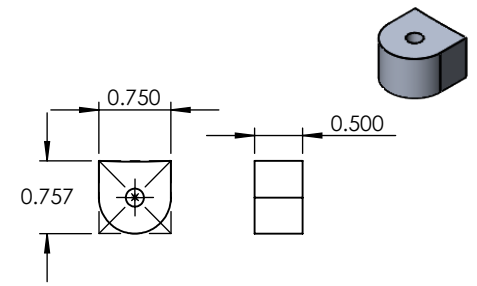
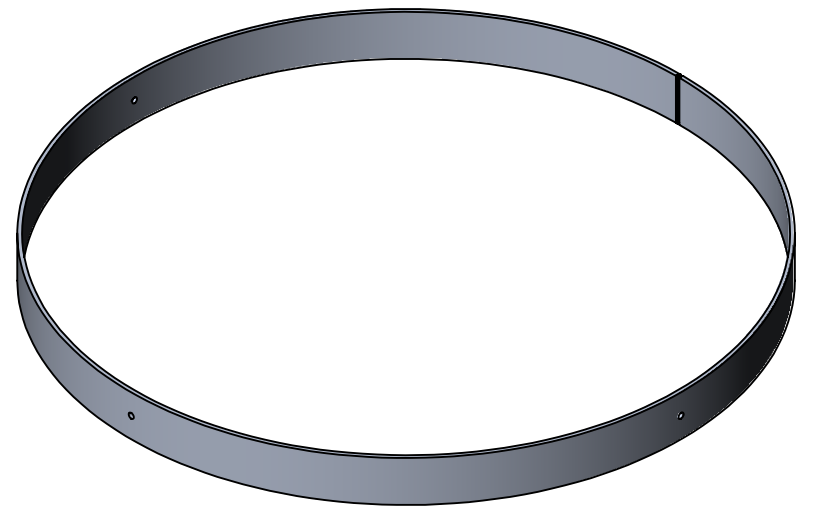
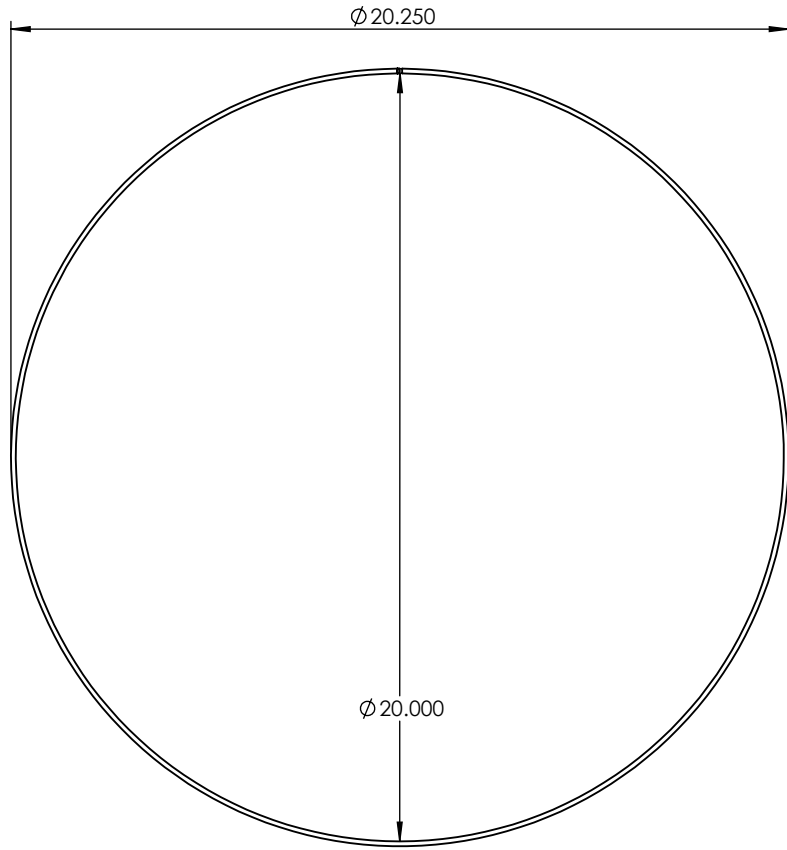
5

4

3

2

1



**PROPRIETARY AND CONFIDENTIAL**  
 THE INFORMATION CONTAINED IN THIS DRAWING IS THE SOLE PROPERTY OF <INSERT COMPANY NAME HERE>. ANY REPRODUCTION IN PART OR AS A WHOLE WITHOUT THE WRITTEN PERMISSION OF <INSERT COMPANY NAME HERE> IS PROHIBITED.

		UNLESS OTHERWISE SPECIFIED:	NAME	DATE
		DIMENSIONS ARE IN INCHES	DRAWN	
		TOLERANCES:	CHECKED	
		FRACTIONAL ±	ENG APPR.	
		ANGULAR: MACH ± BEND ±	MFG APPR.	
		TWO PLACE DECIMAL ±	Q.A.	
		THREE PLACE DECIMAL ±	COMMENTS:	
		INTERPRET GEOMETRIC TOLERANCING PER:		
		MATERIAL		
		FINISH		
NEXT ASSY	USED ON			
APPLICATION	DO NOT SCALE DRAWING			

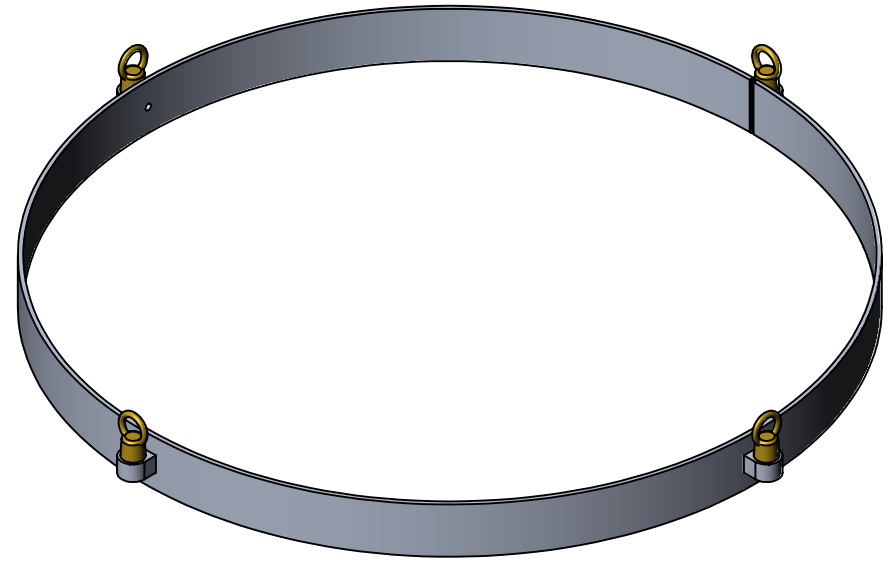
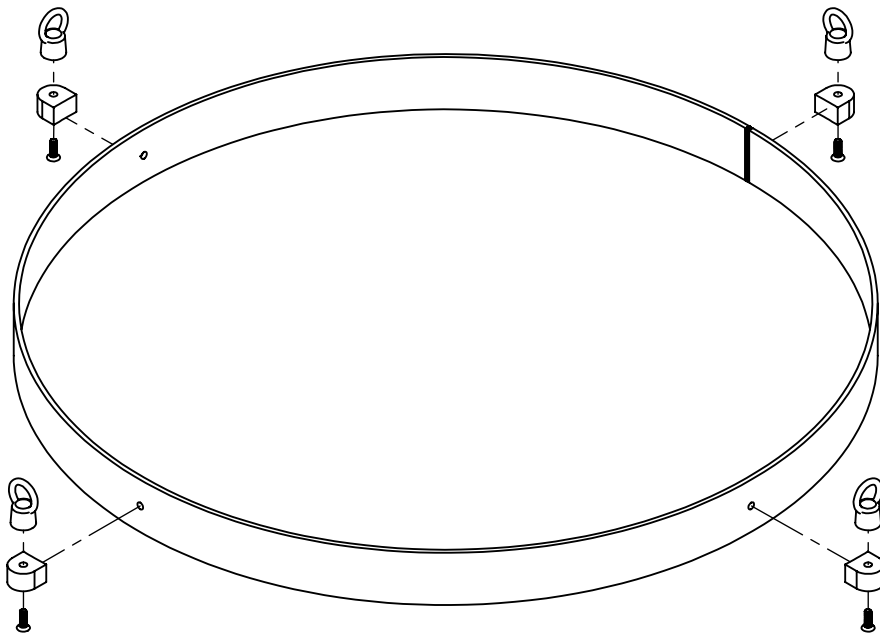
ALUMINUM .0125"

TITLE:

GLB-PFCY-20-40LED-TVP-A-ELVDIM-62'OAH-30

SIZE	DWG. NO.	REV
<b>A</b>		
SCALE: 1:5	WEIGHT:	SHEET 8 OF 9





**PROPRIETARY AND CONFIDENTIAL**  
 THE INFORMATION CONTAINED IN THIS DRAWING IS THE SOLE PROPERTY OF <INSERT COMPANY NAME HERE>. ANY REPRODUCTION IN PART OR AS A WHOLE WITHOUT THE WRITTEN PERMISSION OF <INSERT COMPANY NAME HERE> IS PROHIBITED.

		UNLESS OTHERWISE SPECIFIED:		NAME	DATE	
		DIMENSIONS ARE IN INCHES		DRAWN		TITLE:
		TOLERANCES:		CHECKED		
		FRACTIONAL ±		ENG APPR.		
		ANGULAR: MACH ± BEND ±		MFG APPR.		
		TWO PLACE DECIMAL ±		Q.A.		GLB-PFCY-20-40LED-TVP-A-ELVDIM-62'OAH-30
		THREE PLACE DECIMAL ±		COMMENTS:		
		INTERPRET GEOMETRIC TOLERANCING PER:				SIZE DWG. NO. REV
		MATERIAL				<b>A</b>
	NEXT ASSY	USED ON				SCALE: 1:4.5 WEIGHT: SHEET 9 OF 9
		FINISH				
	APPLICATION	DO NOT SCALE DRAWING				

5

4

3

2

1