

ALL BEND RADIUS .030"

APPLICATION

DO NOT SCALE DRAWING

UNLESS OTHERWISE SPECIFIED:

DIMENSIONS ARE IN INCHES
TOLERANCES:
FRACTIONAL ± .003
ANGULAR: MACH ± .01 BEND ±
TWO PLACE DECIMAL ±
THREE PLACE DECIMAL ±.001

INTERPRET GEOMETRIC
TOLERANCING PER:

MATERIAL

FINISH

NAME

DATE

DRAWN

CHECKED

ENG APPR.

MFG APPR.

Q.A.

COMMENTS:

TITLE:

OR-10-42-18-L72-MV-L-W2-DB-1-3-NL

SIZE DWG. NO.

REV

A TICKET 25034

SCALE: 1:12 WEIGHT:

SHEET 1 OF 16

5

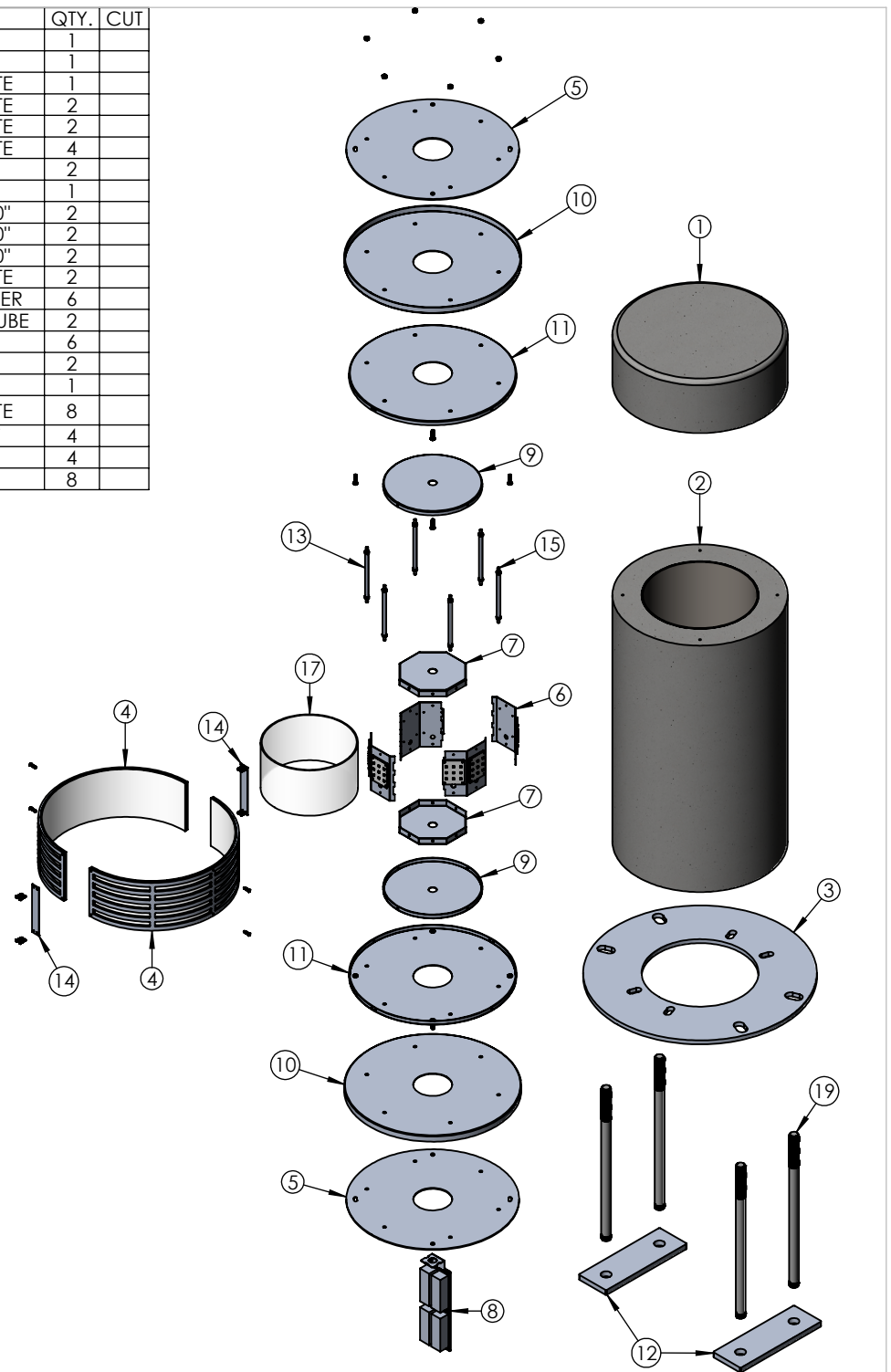
4

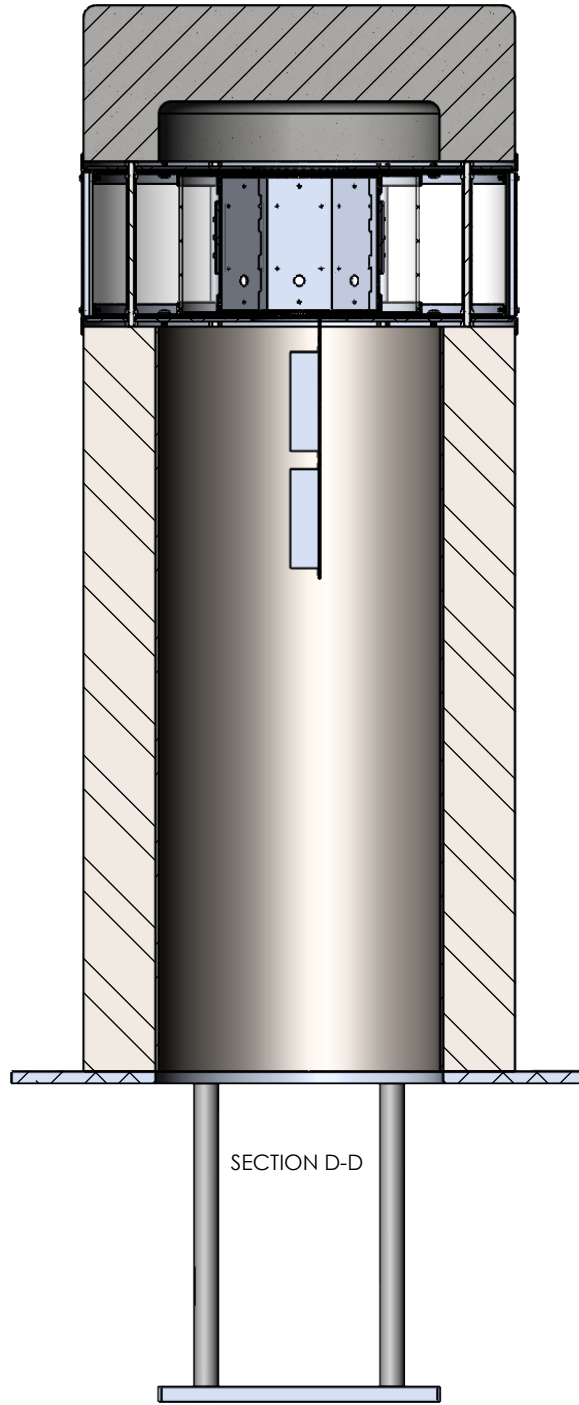
3

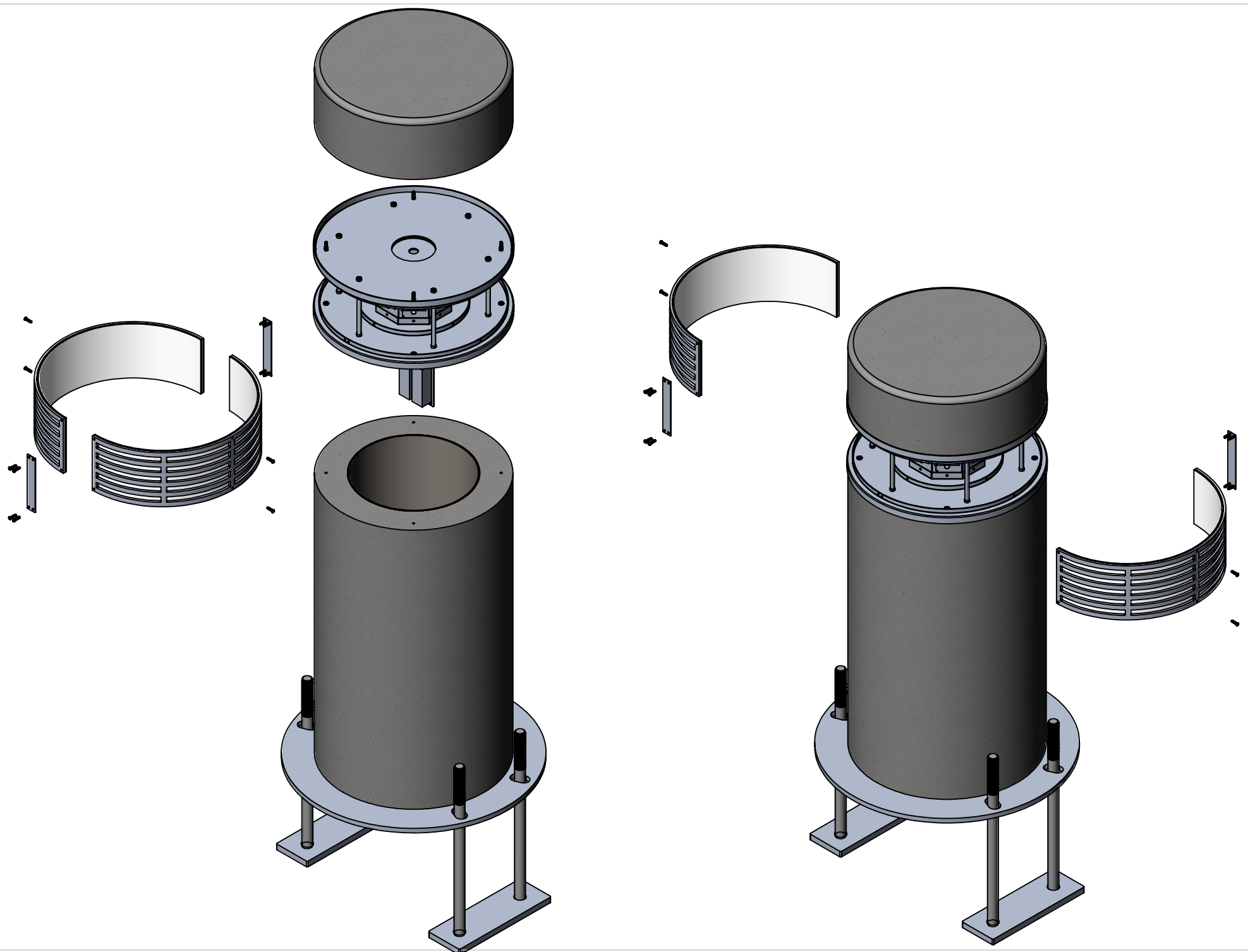
2

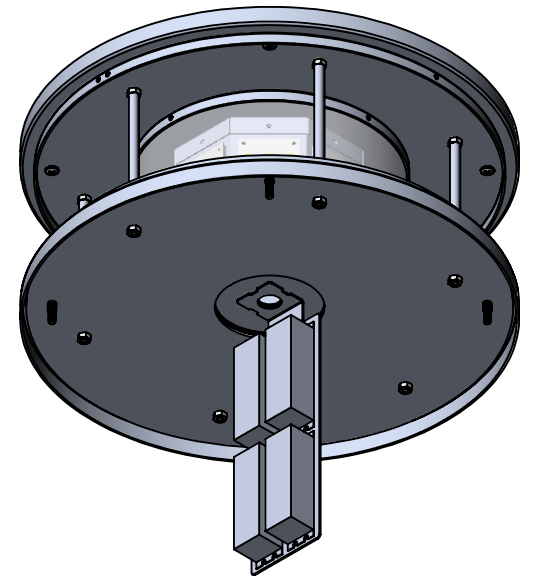
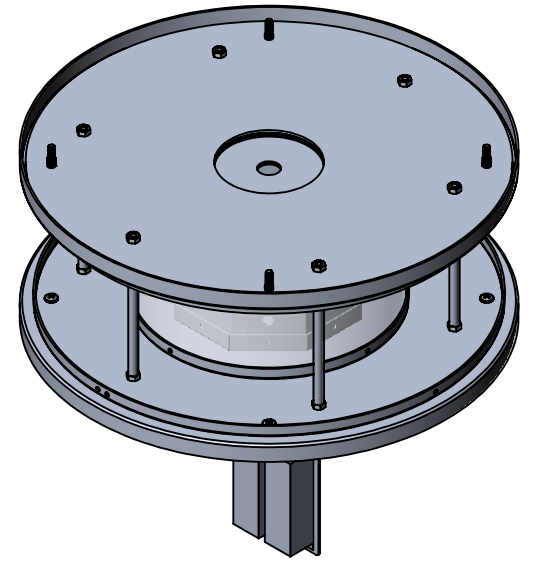
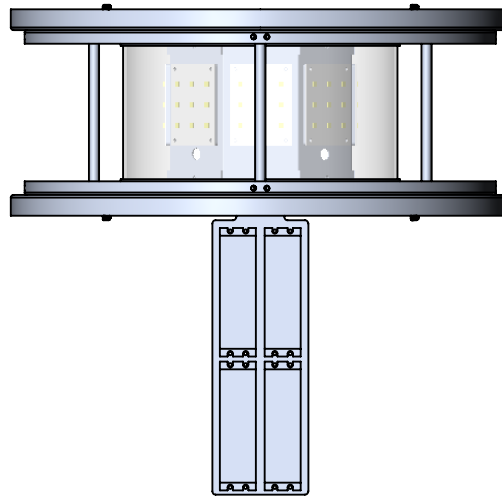
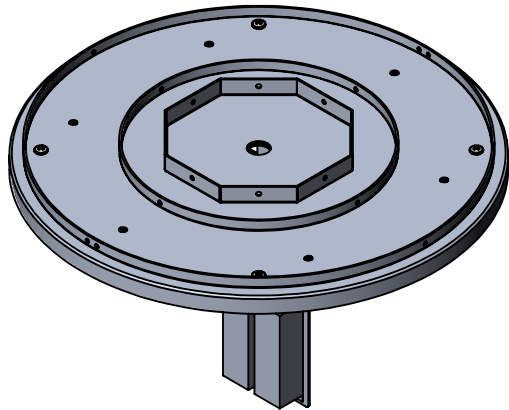
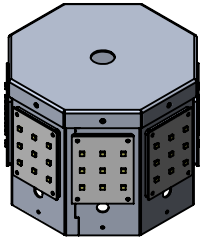
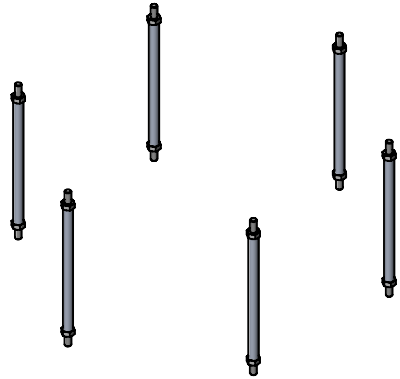
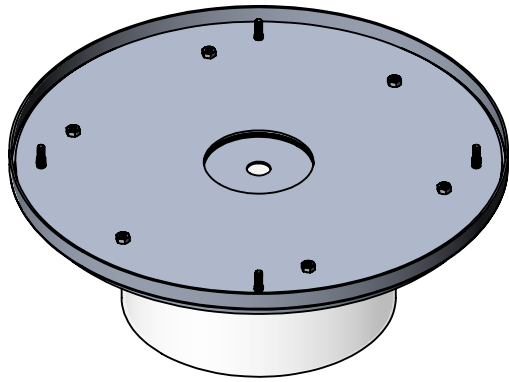
1

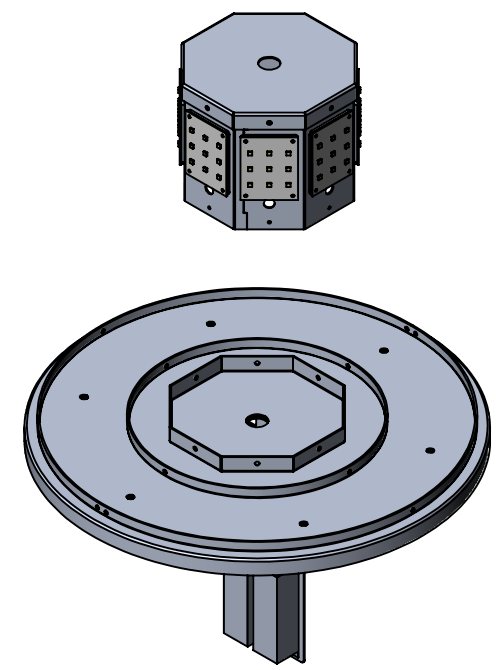
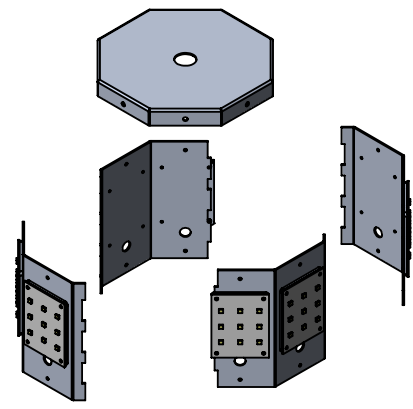
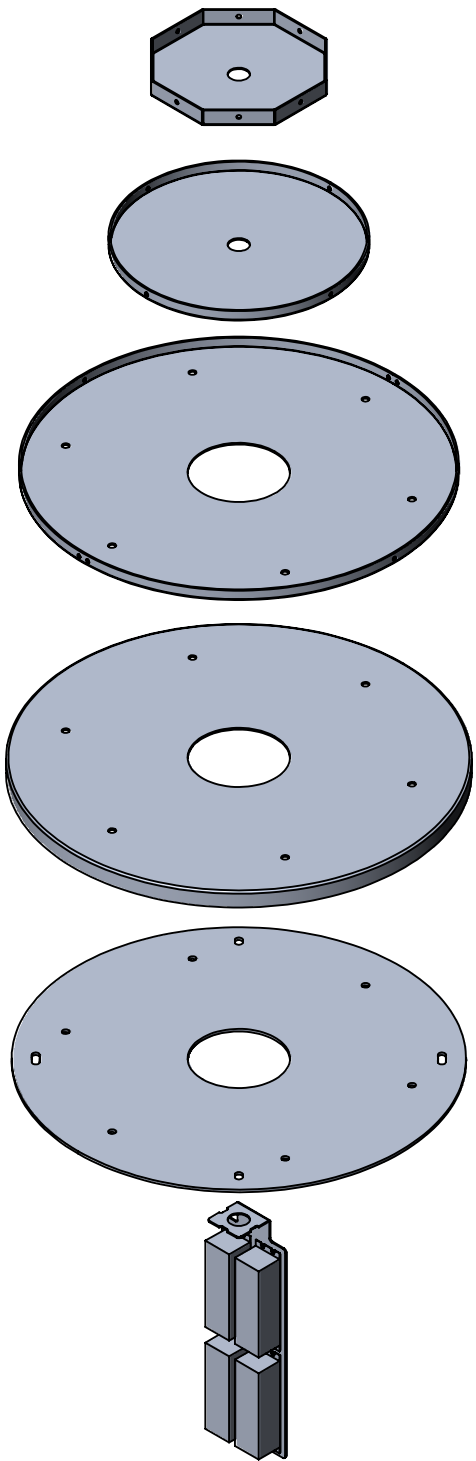
ITEM NO.	PART NUMBER	DESCRIPTION	QTY.	CUT
1	OR-10-42-18-L72-MV-L-W2-DB-1-3-NL-CYLINDER CAP	CONCRETE CAP	1	
2	OR-10-42-18-L72-MV-L-W2-DB-1-3-NL-CYLINDER BODY	CONCRETE BODY	1	
3	OR-10-42-18-L72-MV-L-W2-DB-1-3-NL-ANCHOR PLATE	ALUMINUM 0.500" PLATE	1	
4	OR-10-42-18-L72-MV-L-W2-DB-1-3-NL-SLOT LOUVER PLATE	ALUMINUM 0.250" PLATE	2	
5	OR-10-42-18-L72-MV-L-W2-DB-1-3-NL-LOUVER PLATE	ALUMINUM 0.125" PLATE	2	
6	OR-10-42-18-L72-MV-L-W2-DB-1-3-NL-SQUARE TUBE	ALUMINUM 0.125" PLATE	4	
7	OR-10-42-18-L72-MV-L-W2-DB-1-3-NL-LED TUBE CAP	ALUMINUM 0.0635"	2	
8	OR-10-42-18-L72-MV-L-W2-DB-1-3-NL-DRIVER BRACKET	ALUMINUM 0.0635"	1	
9	OR-10-42-18-L72-MV-L-W2-DB-1-3-NL-SPUN LENS COVER	SPUN ALUMINUM 0.080"	2	
10	OR-10-42-18-L72-MV-L-W2-DB-1-3-NL-SPUN CONCRETE CAPS	SPUN ALUMINUM 0.080"	2	
11	OR-10-42-18-L72-MV-L-W2-DB-1-3-NL-SPUN LOUVER BRACKET	SPUN ALUMINUM 0.080"	2	
12	OR-10-42-18-L72-MV-L-W2-DB-1-3-NL-ANCHOR MOUNT PLATE	ALUMINUM 0.625" PLATE	2	
13	OR-10-42-18-L72-MV-L-W2-DB-1-3-NL-ROD COVER TUBE	3/8" ALUMINUM CYLINDER	6	
14	OR-10-42-18-L72-MV-L-W2-DB-1-3-NL-PLATE TAB	1" SQUARE ALUMINUM TUBE	2	
15	OR-10-42-18-L72-MV-L-W2-DB-1-3-NL-THREADED ROD	1/4" THREADED ROD	6	
16	OR-10-42-18-L72-MV-L-W2-DB-1-3-NL-SLOT LOUVER ACRYLIC	ACRYLIC	2	
17	OR-10-42-18-L72-MV-L-W2-DB-1-3-NL-ACRYLIC	ACRYLIC	1	
18	Altal_LED_PN1019_SHIM PLATE	ALUMINUM 0.125" PLATE	8	
19	1.000" Hook Anchor for Concrete	1.000" ANCHOR BOLT	4	
20	ESPEN VEL29070MVH-1	DRIVER	4	
21	Altal_LED_PN1019_RevC	LED	8	

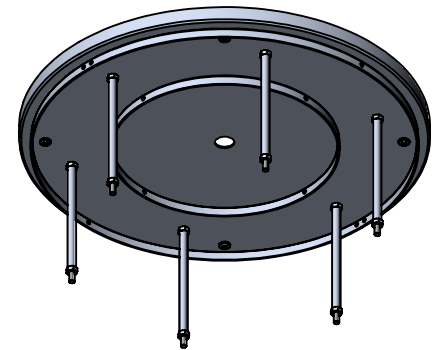
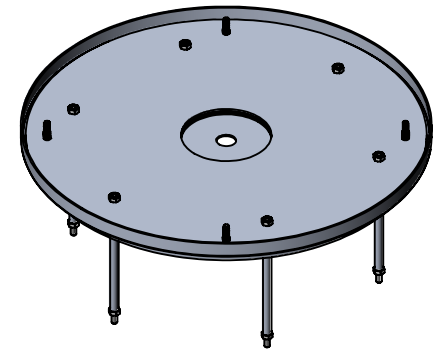
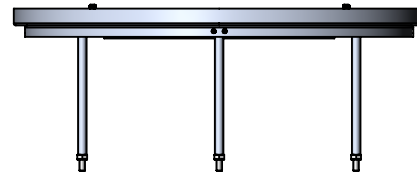
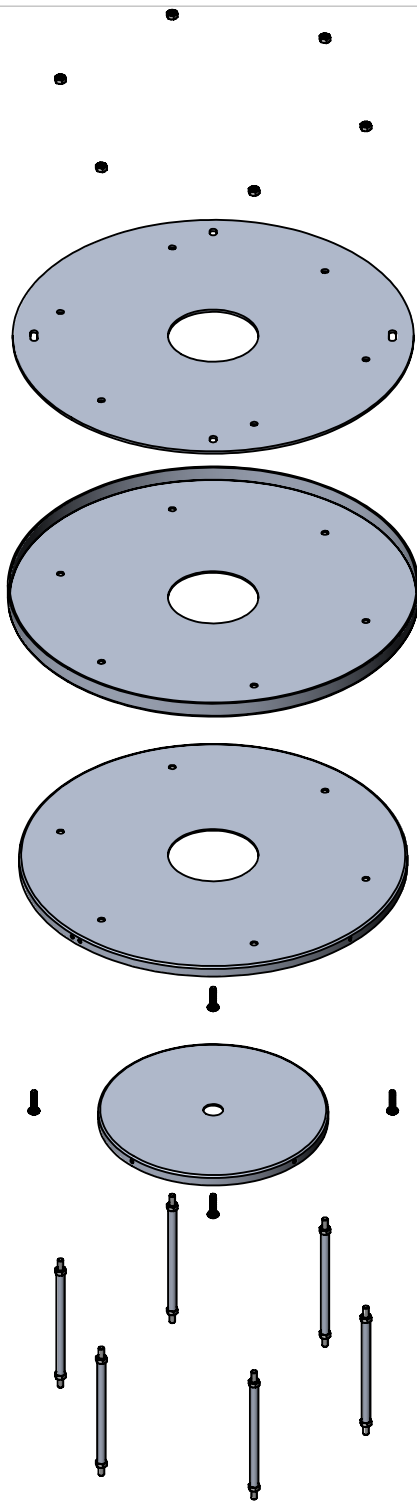


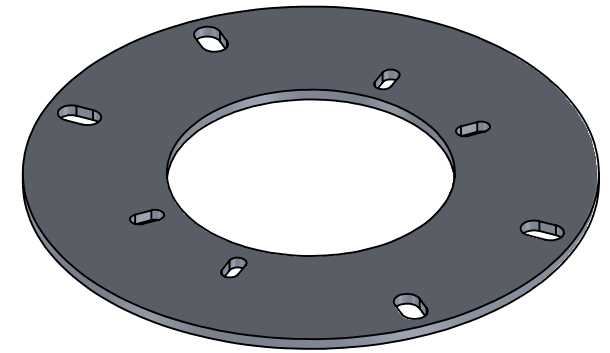
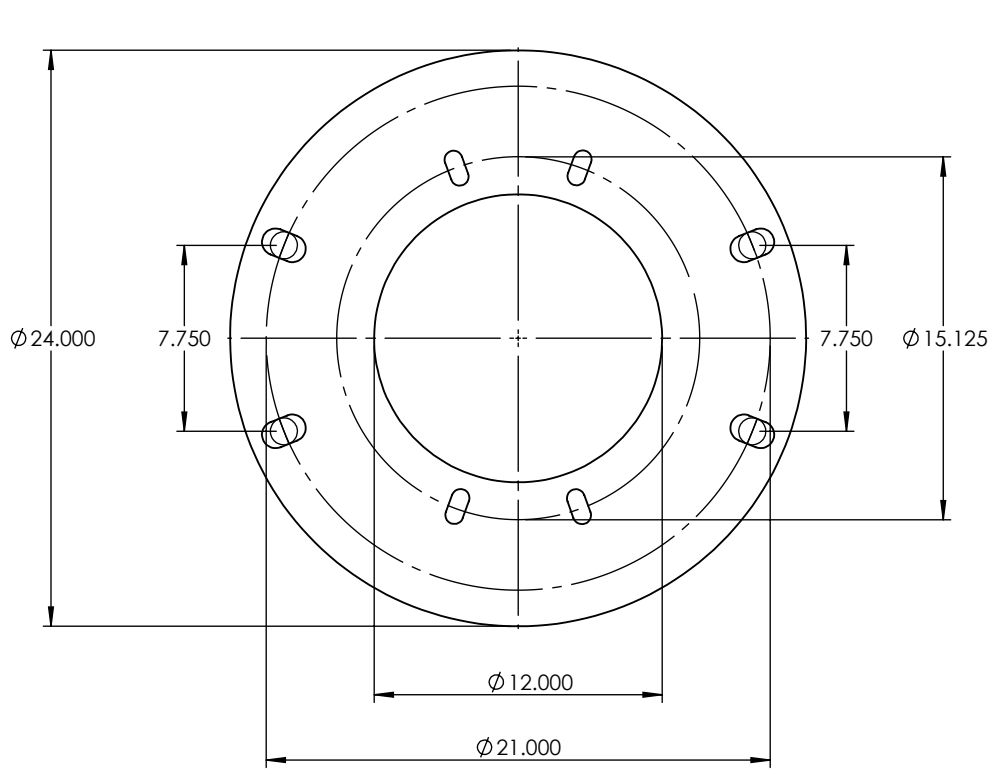












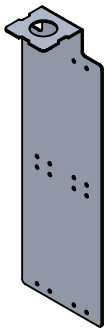
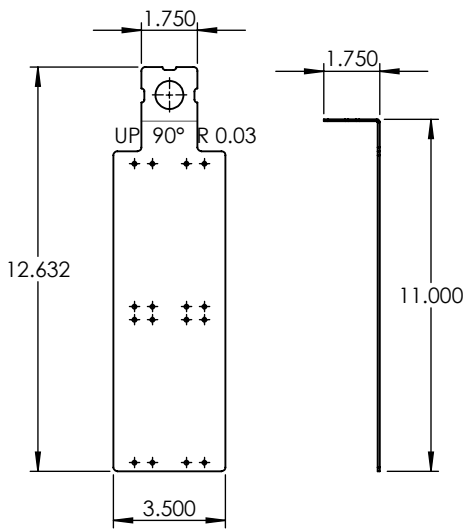
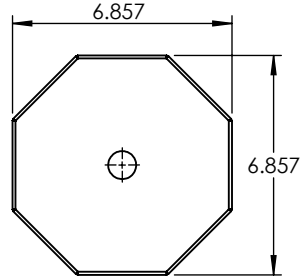
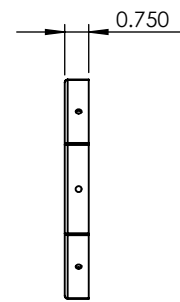
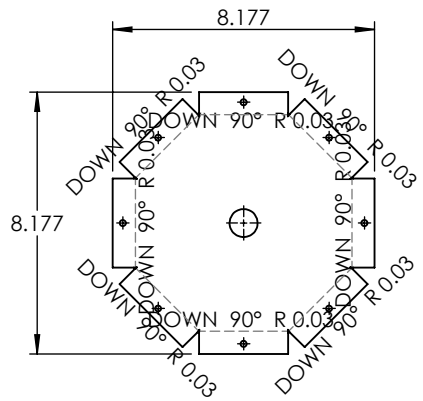
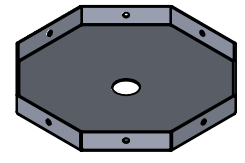
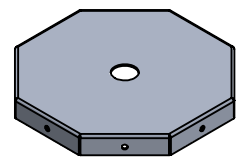
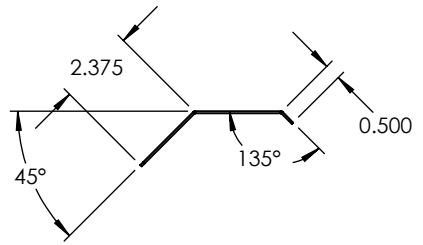
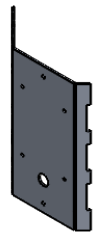
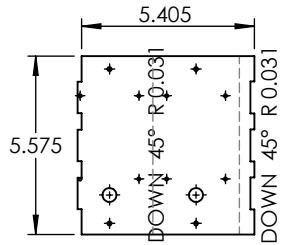
PROPRIETARY AND CONFIDENTIAL
 THE INFORMATION CONTAINED IN THIS DRAWING IS THE SOLE PROPERTY OF <INSERT COMPANY NAME HERE>. ANY REPRODUCTION IN PART OR AS A WHOLE WITHOUT THE WRITTEN PERMISSION OF <INSERT COMPANY NAME HERE> IS PROHIBITED.

NEXT ASSY	USED ON
APPLICATION	

UNLESS OTHERWISE SPECIFIED:
DIMENSIONS ARE IN INCHES
TOLERANCES:
FRACTIONAL ±
ANGULAR: MACH ± BEND ±
TWO PLACE DECIMAL ±
THREE PLACE DECIMAL ±
INTERPRET GEOMETRIC TOLERANCING PER:
MATERIAL
FINISH
DO NOT SCALE DRAWING

	NAME	DATE
DRAWN		
CHECKED		
ENG APPR.		
MFG APPR.		
Q.A.		
COMMENTS:		

ALUMINUM 0.500" PLATE		
TITLE:		
OR-10-42-18-L72-MV-L-W2-DB-1-3-NL		
SIZE	DWG. NO.	REV
A		
SCALE: 1:8	WEIGHT:	SHEET 8 OF 16



UNLESS OTHERWISE SPECIFIED:		NAME	DATE	ALUMINUM 0.125" PLATE	
DIMENSIONS ARE IN INCHES TOLERANCES: FRACTIONAL ± ANGULAR: MACH ± BEND ± TWO PLACE DECIMAL ± THREE PLACE DECIMAL ±		DRAWN			
INTERPRET GEOMETRIC TOLERANCING PER:		CHECKED		OR-10-42-18-L72-MV-L-W2-DB-1-3-NL	
		ENG APPR.			
MATERIAL		MFG APPR.		SIZE DWG. NO. REV	
		Q.A.			
FINISH		COMMENTS:		SCALE: 1:6 WEIGHT: SHEET 9 OF 16	
DO NOT SCALE DRAWING					

PROPRIETARY AND CONFIDENTIAL
THE INFORMATION CONTAINED IN THIS DRAWING IS THE SOLE PROPERTY OF <INSERT COMPANY NAME HERE>. ANY REPRODUCTION IN PART OR AS A WHOLE WITHOUT THE WRITTEN PERMISSION OF <INSERT COMPANY NAME HERE> IS PROHIBITED.

NEXT ASSY	USED ON
APPLICATION	

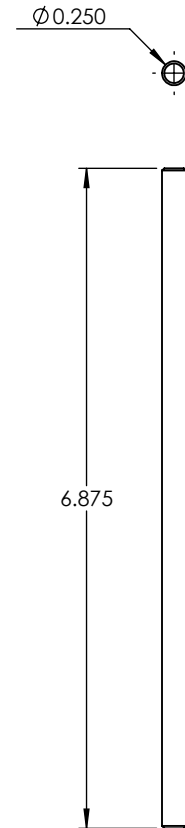
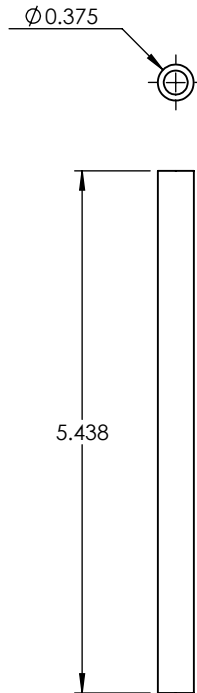
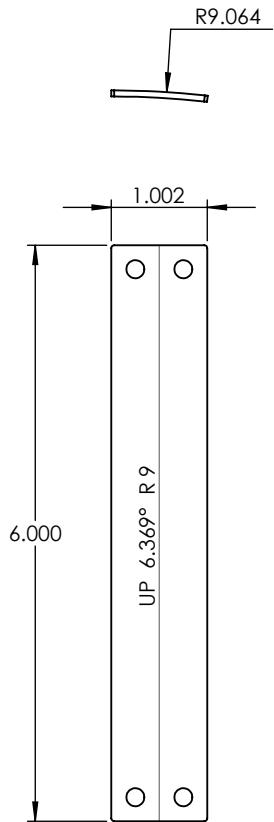
5

4

3

2

1



UNLESS OTHERWISE SPECIFIED:		NAME	DATE	3/8" ALUMINUM CYLINDER	
DIMENSIONS ARE IN INCHES TOLERANCES: FRACTIONAL ± ANGULAR: MACH ± BEND ± TWO PLACE DECIMAL ± THREE PLACE DECIMAL ±		DRAWN			
INTERPRET GEOMETRIC TOLERANCING PER:		CHECKED		OR-10-42-18-L72-MV-L-W2-DB-1-3-NL	
		ENG APPR.			
MATERIAL		MFG APPR.		SIZE DWG. NO. REV	
		Q.A.			
FINISH		COMMENTS:		SCALE: 1:2 WEIGHT: SHEET 10 OF 16	

PROPRIETARY AND CONFIDENTIAL
THE INFORMATION CONTAINED IN THIS DRAWING IS THE SOLE PROPERTY OF <INSERT COMPANY NAME HERE>. ANY REPRODUCTION IN PART OR AS A WHOLE WITHOUT THE WRITTEN PERMISSION OF <INSERT COMPANY NAME HERE> IS PROHIBITED.

NEXT ASSY	USED ON
APPLICATION	

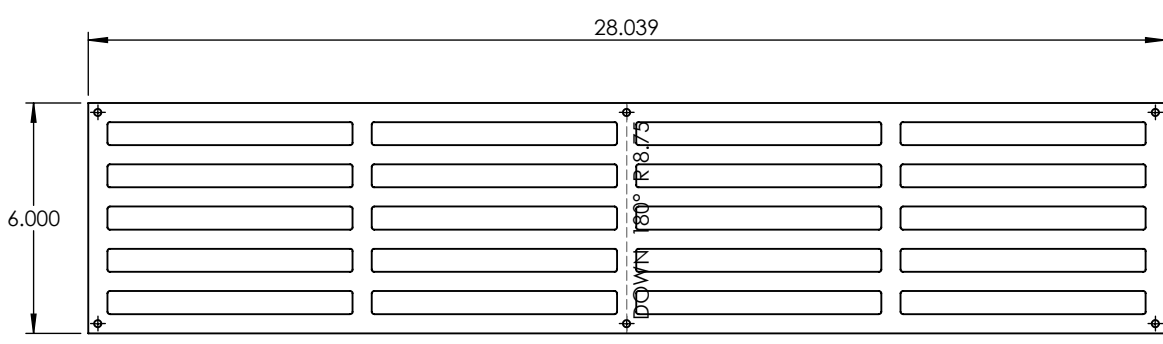
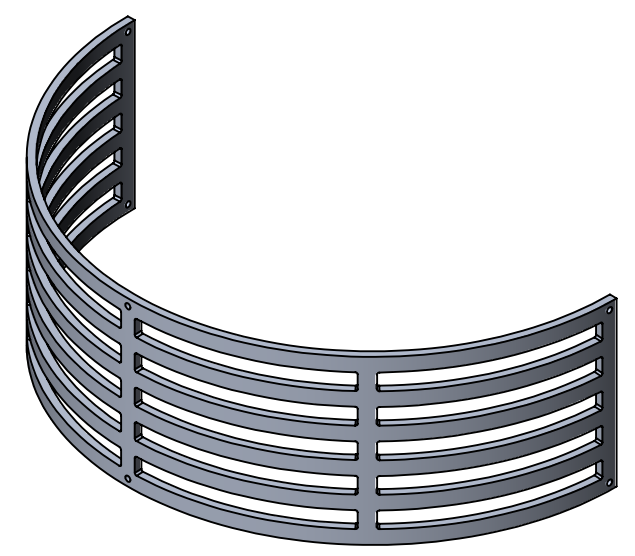
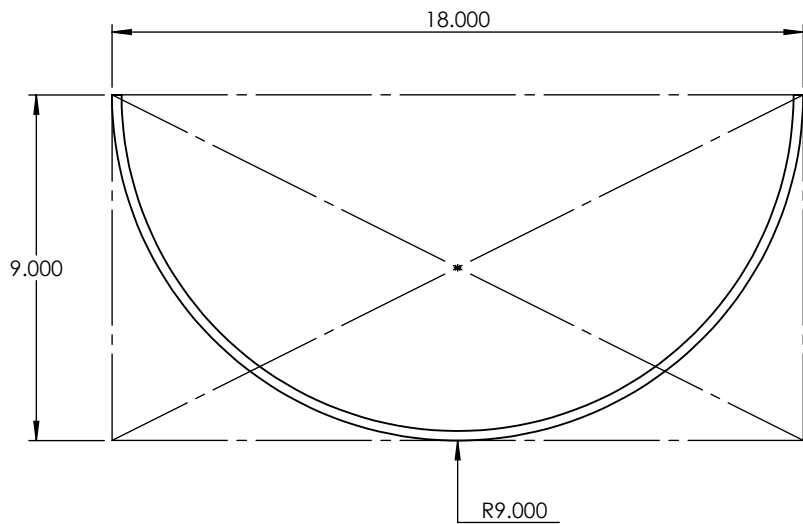
5

4

3

2

1



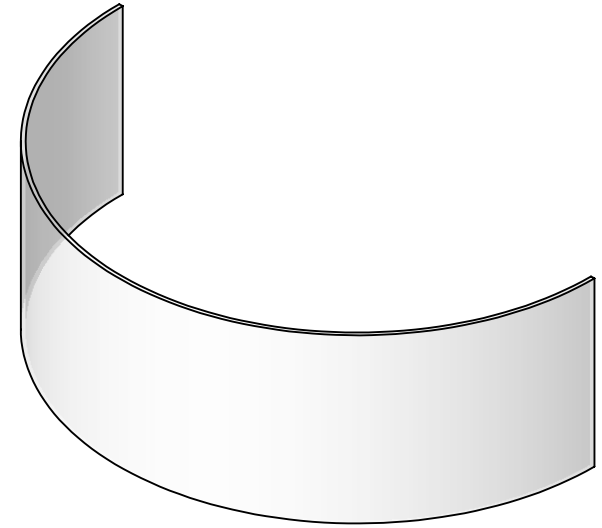
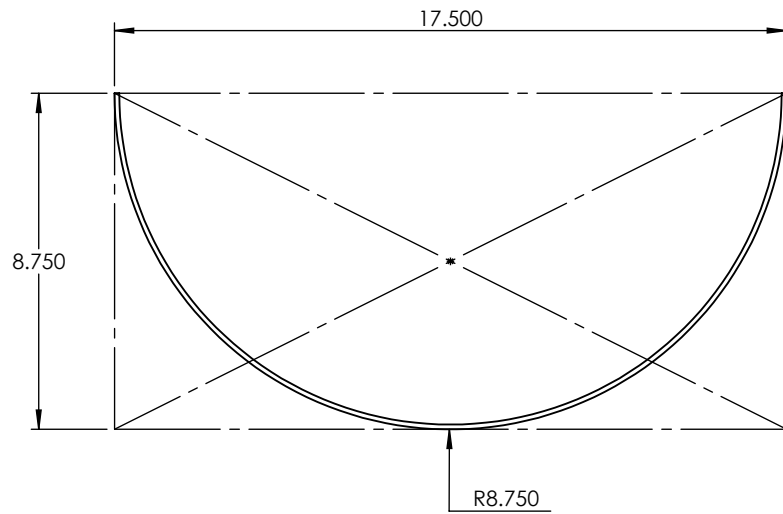
PROPRIETARY AND CONFIDENTIAL
 THE INFORMATION CONTAINED IN THIS DRAWING IS THE SOLE PROPERTY OF <INSERT COMPANY NAME HERE>. ANY REPRODUCTION IN PART OR AS A WHOLE WITHOUT THE WRITTEN PERMISSION OF <INSERT COMPANY NAME HERE> IS PROHIBITED.

NEXT ASSY	USED ON
APPLICATION	

UNLESS OTHERWISE SPECIFIED:
DIMENSIONS ARE IN INCHES
TOLERANCES:
FRACTIONAL ±
ANGULAR: MACH ± BEND ±
TWO PLACE DECIMAL ±
THREE PLACE DECIMAL ±
INTERPRET GEOMETRIC TOLERANCING PER:
MATERIAL
FINISH
DO NOT SCALE DRAWING

	NAME	DATE
DRAWN		
CHECKED		
ENG APPR.		
MFG APPR.		
Q.A.		
COMMENTS:		

ALUMINUM 0.250" PLATE		
TITLE:		
OR-10-42-18-L72-MV-L-W2-DB-1-3-NL		
SIZE	DWG. NO.	REV
A		
SCALE: 1:5	WEIGHT:	SHEET 11 OF 16



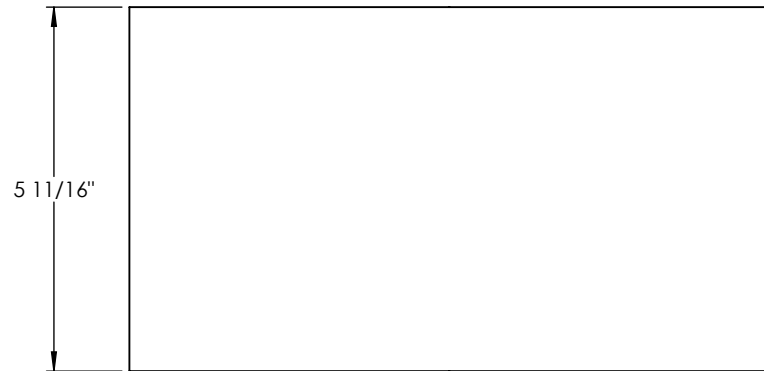
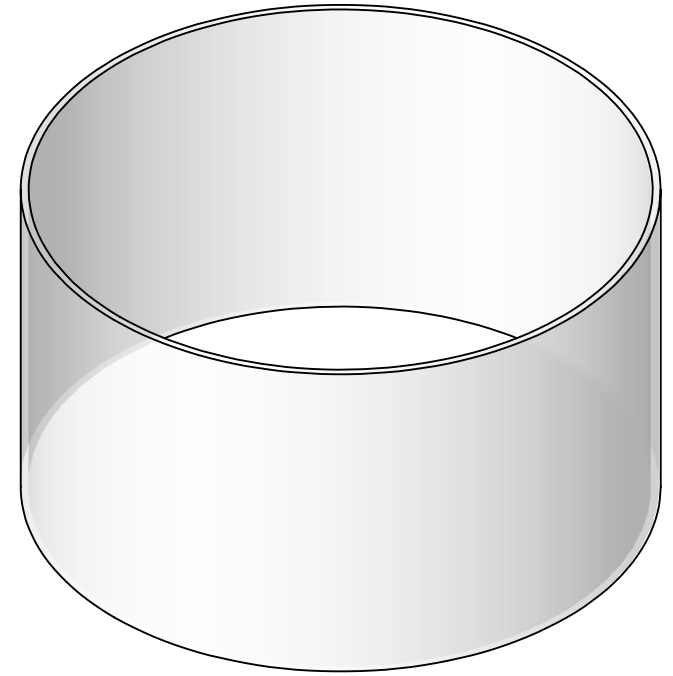
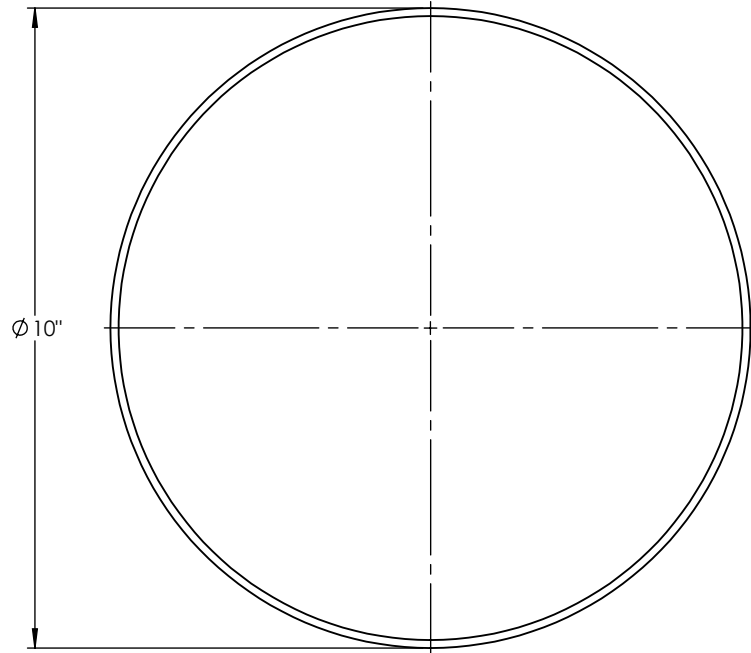
PROPRIETARY AND CONFIDENTIAL
 THE INFORMATION CONTAINED IN THIS DRAWING IS THE SOLE PROPERTY OF <INSERT COMPANY NAME HERE>. ANY REPRODUCTION IN PART OR AS A WHOLE WITHOUT THE WRITTEN PERMISSION OF <INSERT COMPANY NAME HERE> IS PROHIBITED.

NEXT ASSY	USED ON
APPLICATION	

UNLESS OTHERWISE SPECIFIED:
DIMENSIONS ARE IN INCHES
TOLERANCES:
FRACTIONAL ±
ANGULAR: MACH ± BEND ±
TWO PLACE DECIMAL ±
THREE PLACE DECIMAL ±
INTERPRET GEOMETRIC TOLERANCING PER:
MATERIAL
FINISH
DO NOT SCALE DRAWING

	NAME	DATE
DRAWN		
CHECKED		
ENG APPR.		
MFG APPR.		
Q.A.		
COMMENTS:		

ACRYLIC		
TITLE:		
OR-10-42-18-L72-MV-L-W2-DB-1-3-NL		
SIZE	DWG. NO.	REV
A		
SCALE: 1:5	WEIGHT:	SHEET 12 OF 16

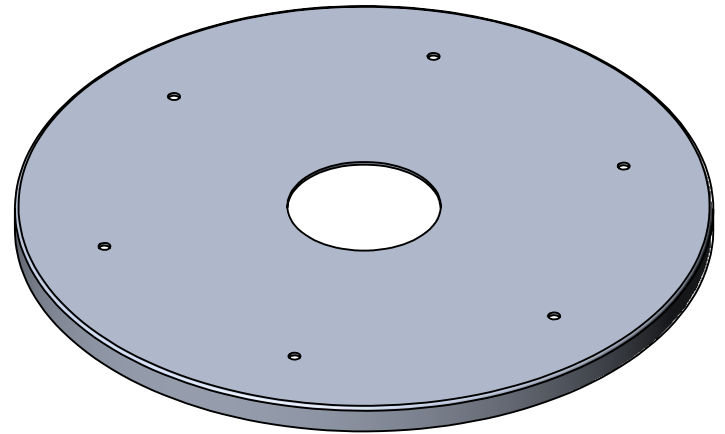
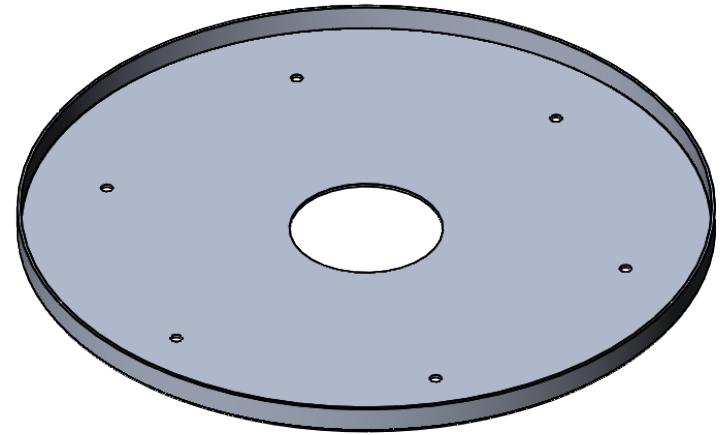
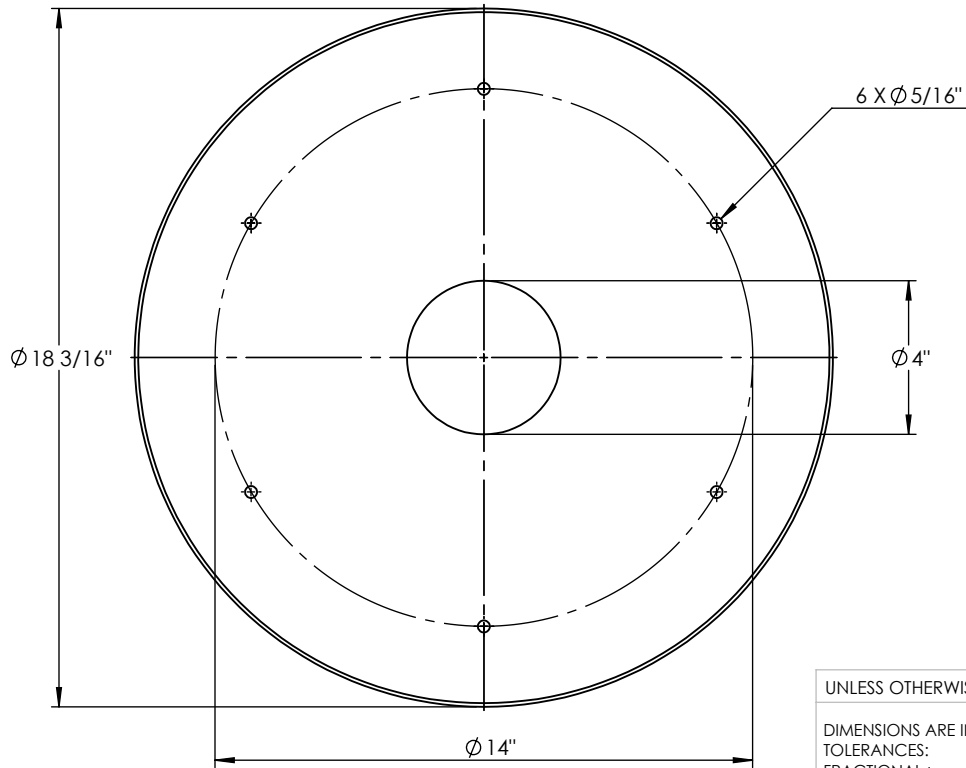
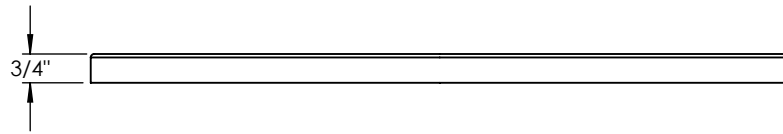


PROPRIETARY AND CONFIDENTIAL

THE INFORMATION CONTAINED IN THIS DRAWING IS THE SOLE PROPERTY OF <INSERT COMPANY NAME HERE>. ANY REPRODUCTION IN PART OR AS A WHOLE WITHOUT THE WRITTEN PERMISSION OF <INSERT COMPANY NAME HERE> IS PROHIBITED.

		UNLESS OTHERWISE SPECIFIED:		NAME	DATE	ACRYLIC		
		DIMENSIONS ARE IN INCHES TOLERANCES: FRACTIONAL ± ANGULAR: MACH ± BEND ± TWO PLACE DECIMAL ± THREE PLACE DECIMAL ±	DRAWN					TITLE:
		INTERPRET GEOMETRIC TOLERANCING PER:	CHECKED			OR-10-42-18-L72-MV-L-W2-DB-1-3-NL		
		MATERIAL	ENG APPR.			SIZE	DWG. NO.	REV
		FINISH	MFG APPR.			A		
NEXT ASSY	USED ON		Q.A.				SCALE: 1:3	WEIGHT:
APPLICATION		DO NOT SCALE DRAWING	COMMENTS:					

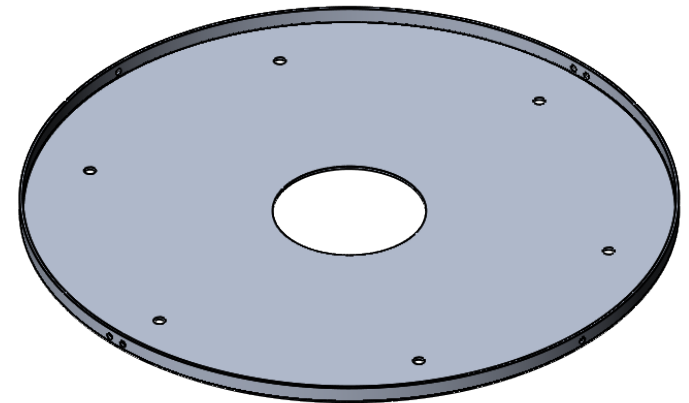
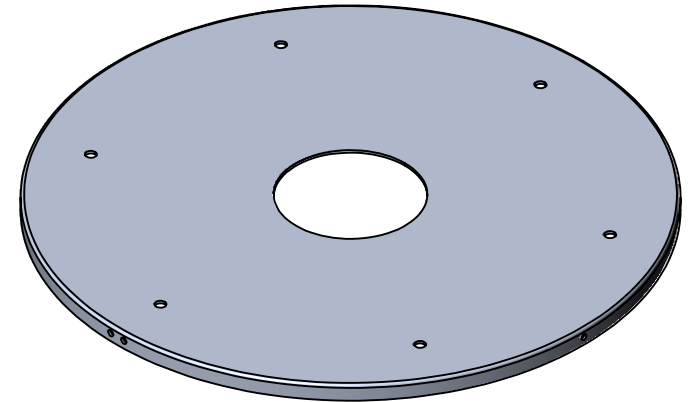
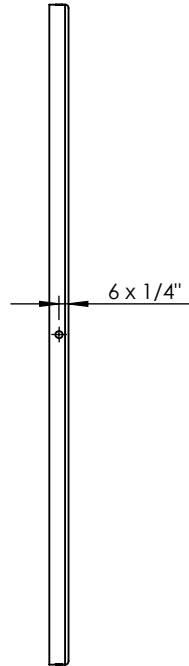
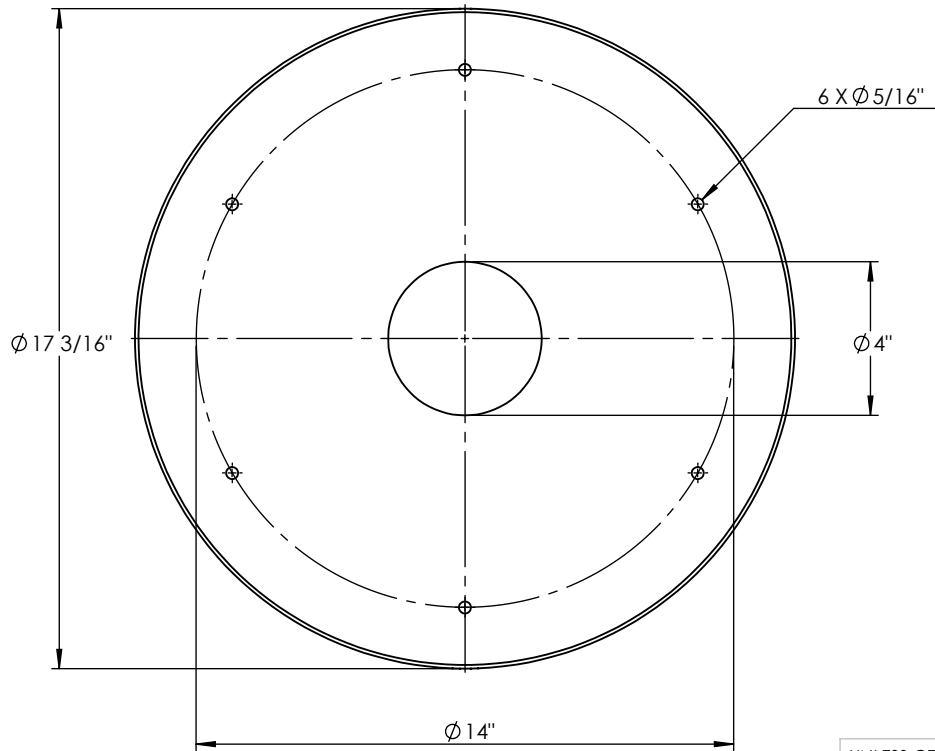
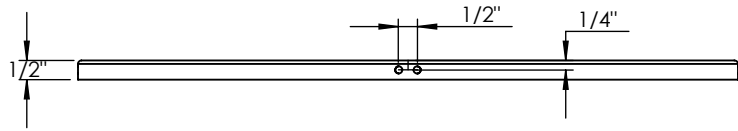
ITEM NO.	PART NUMBER	DESCRIPTION	QTY.
1	OR-10-42-18-L72-MV-L-W2-DB-1-3-NL-SPUN CONCRETE CAPS	SPUN ALUMINUM 0.080"	1



UNLESS OTHERWISE SPECIFIED:		NAME	DATE	SPUN ALUMINUM 0.080"	
DIMENSIONS ARE IN INCHES		DRAWN		TITLE:	
TOLERANCES:		CHECKED		OR-10-42-18-L72-MV-L-W2-DB-1-3-NL	
FRACTIONAL ±		ENG APPR.		SIZE	DWG. NO.
ANGULAR: MACH ± BEND ±		MFG APPR.		A	REV
TWO PLACE DECIMAL ±		Q.A.		SCALE: 1:5	WEIGHT:
THREE PLACE DECIMAL ±		COMMENTS:			SHEET 14 OF 16
INTERPRET GEOMETRIC TOLERANCING PER:					
MATERIAL					
FINISH					
NEXT ASSY	USED ON				
APPLICATION	DO NOT SCALE DRAWING				

PROPRIETARY AND CONFIDENTIAL
 THE INFORMATION CONTAINED IN THIS DRAWING IS THE SOLE PROPERTY OF <INSERT COMPANY NAME HERE>. ANY REPRODUCTION IN PART OR AS A WHOLE WITHOUT THE WRITTEN PERMISSION OF <INSERT COMPANY NAME HERE> IS PROHIBITED.

ITEM NO.	PART NUMBER	DESCRIPTION	QTY.
1	OR-10-42-18-L72-MV-L-W2-DB-1-3-NL-SPUN CONCRETE CAPS	SPUN ALUMINUM 0.080"	1



UNLESS OTHERWISE SPECIFIED:		NAME	DATE	SPUN ALUMINUM 0.080"	
DIMENSIONS ARE IN INCHES		DRAWN		TITLE:	
TOLERANCES:		CHECKED		OR-10-42-18-L72-MV-L-W2-DB-1-3-NL	
FRACTIONAL ±		ENG APPR.		SIZE DWG. NO. REV	
ANGULAR: MACH ± BEND ±		MFG APPR.		SCALE: 1:5 WEIGHT: SHEET 15 OF 16	
TWO PLACE DECIMAL ±		Q.A.			
THREE PLACE DECIMAL ±		COMMENTS:			
INTERPRET GEOMETRIC TOLERANCING PER:					
MATERIAL					
FINISH					
APPLICATION					
DO NOT SCALE DRAWING					

PROPRIETARY AND CONFIDENTIAL
 THE INFORMATION CONTAINED IN THIS DRAWING IS THE SOLE PROPERTY OF <INSERT COMPANY NAME HERE>. ANY REPRODUCTION IN PART OR AS A WHOLE WITHOUT THE WRITTEN PERMISSION OF <INSERT COMPANY NAME HERE> IS PROHIBITED.

NEXT ASSY	USED ON
APPLICATION	

5

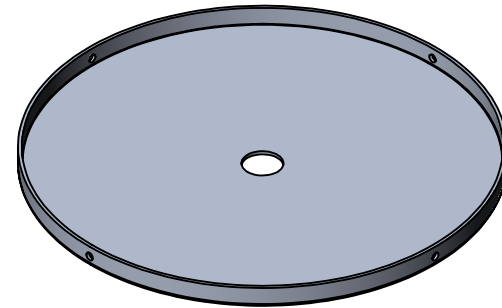
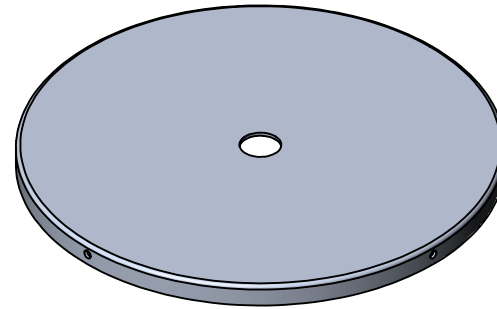
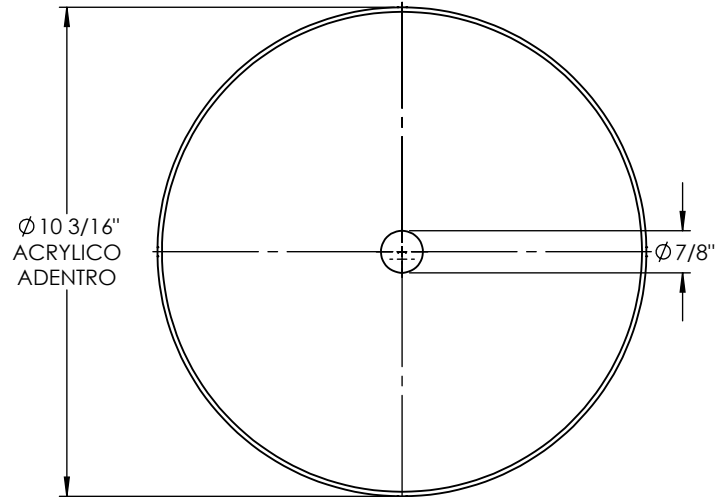
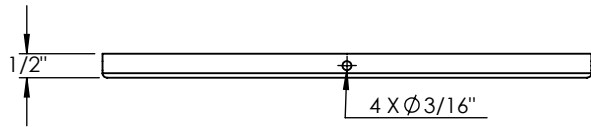
4

3

2

1

ITEM NO.	PART NUMBER	DESCRIPTION	QTY.
1	OR-10-42-18-L72-MV-L-W2-DB-1-3-NL-SPUN LENS COVER	SPUN ALUMINUM 0.080"	1



UNLESS OTHERWISE SPECIFIED:		NAME	DATE	SPUN ALUMINUM 0.080"	
DIMENSIONS ARE IN INCHES		DRAWN		TITLE:	
TOLERANCES:		CHECKED		OR-10-42-18-L72-MV-L-W2-DB-1-3-NL	
FRACTIONAL \pm		ENG APPR.		SIZE DWG. NO. REV	
ANGULAR: MACH \pm BEND \pm		MFG APPR.		SCALE: 1:4 WEIGHT: SHEET 16 OF 16	
TWO PLACE DECIMAL \pm		Q.A.			
THREE PLACE DECIMAL \pm		COMMENTS:			
INTERPRET GEOMETRIC TOLERANCING PER:					
MATERIAL					
FINISH					
NEXT ASSY					
USED ON					
APPLICATION					
DO NOT SCALE DRAWING					

PROPRIETARY AND CONFIDENTIAL
THE INFORMATION CONTAINED IN THIS DRAWING IS THE SOLE PROPERTY OF <INSERT COMPANY NAME HERE>. ANY REPRODUCTION IN PART OR AS A WHOLE WITHOUT THE WRITTEN PERMISSION OF <INSERT COMPANY NAME HERE> IS PROHIBITED.