

ALL BEND RADIUS .030"

UNLESS OTHERWISE SPECIFIED:

DIMENSIONS ARE IN INCHES  
 TOLERANCES:  
 FRACTIONAL ± .003  
 ANGULAR: MACH ± .01 BEND ±  
 TWO PLACE DECIMAL ±  
 THREE PLACE DECIMAL ± .001

INTERPRET GEOMETRIC  
 TOLERANCING PER:

MATERIAL

FINISH

NAME

DATE

DRAWN

CHECKED

ENG APPR.

MFG APPR.

Q.A.

COMMENTS:

TITLE:

BOL-4ARCH-12W-180D-TBK-CA-42"-30K

SIZE DWG. NO.

REV

**A** TICKET 25075

SCALE: 1:9

WEIGHT:

SHEET 1 OF 13

5

4

3

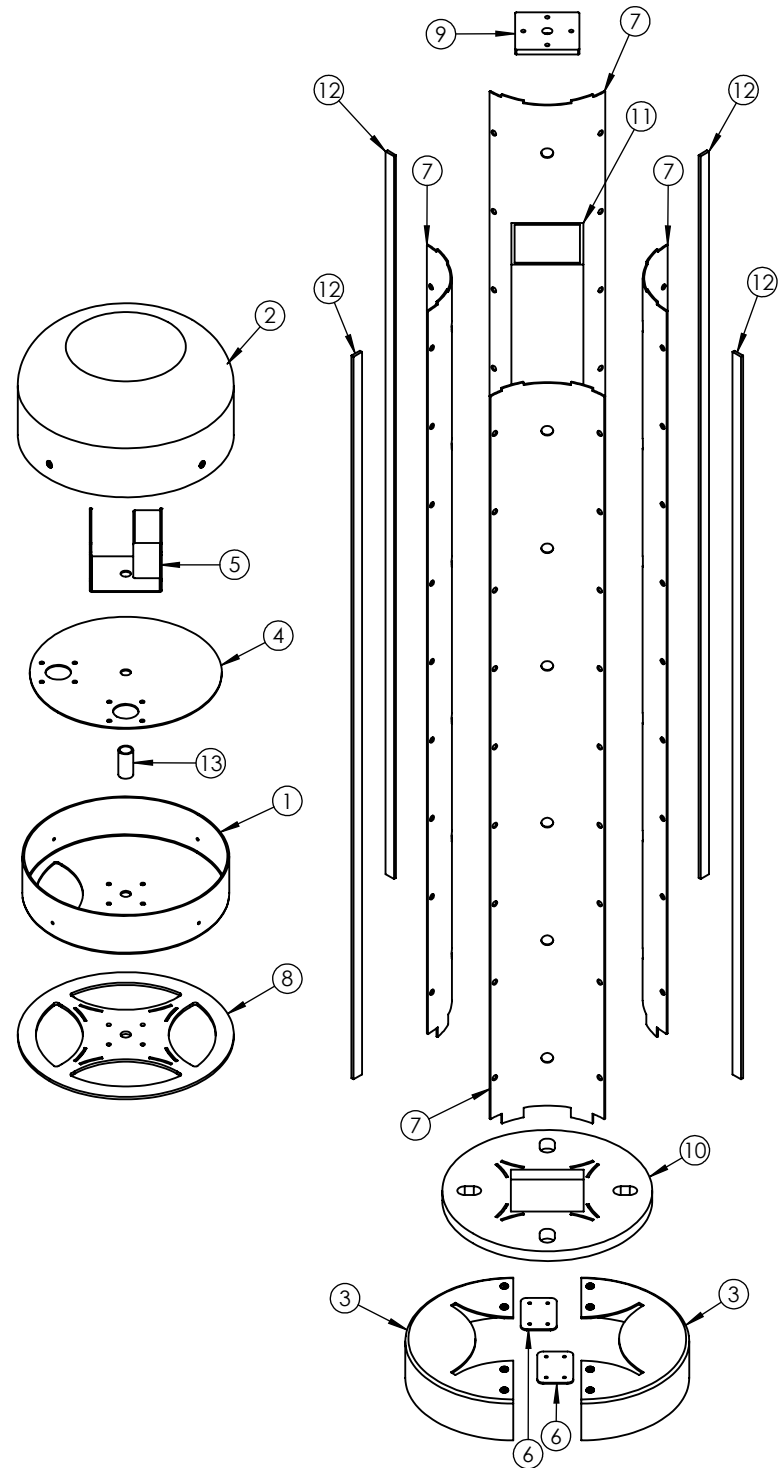
2

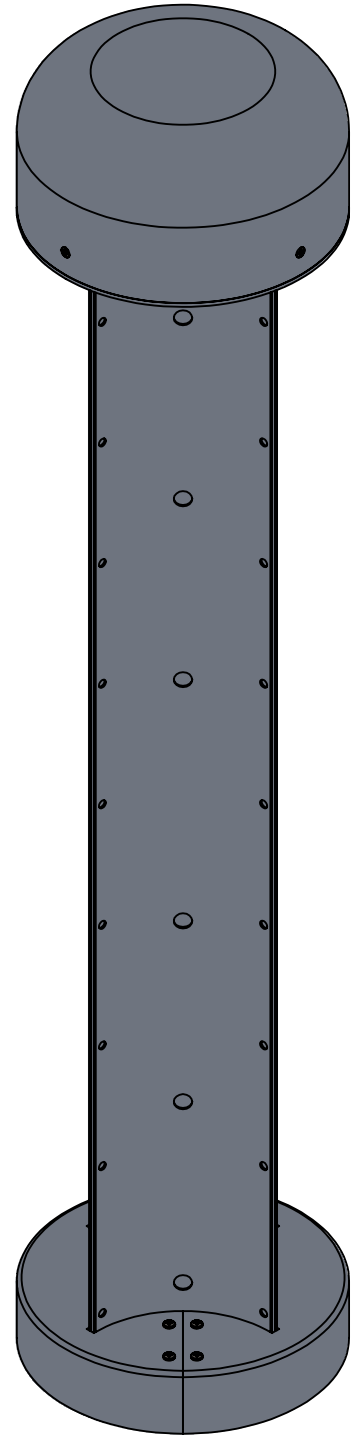
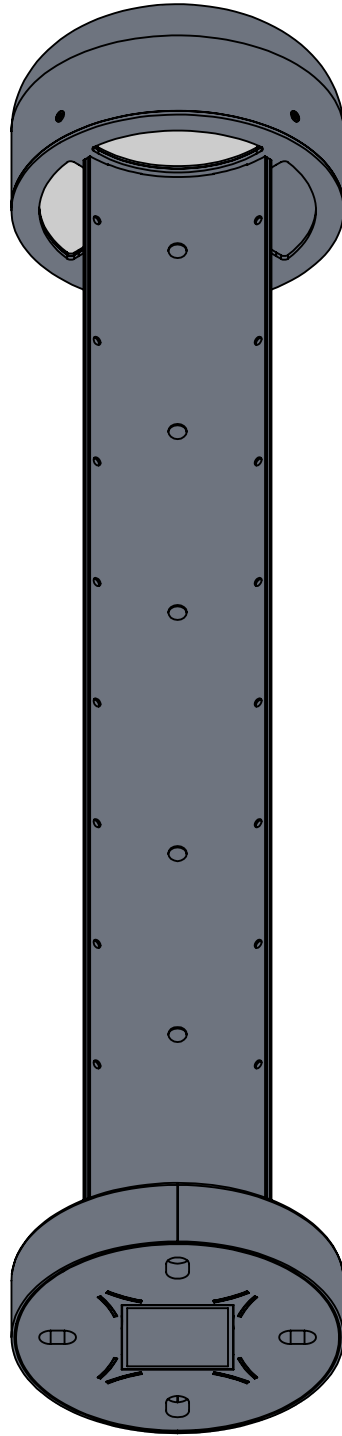
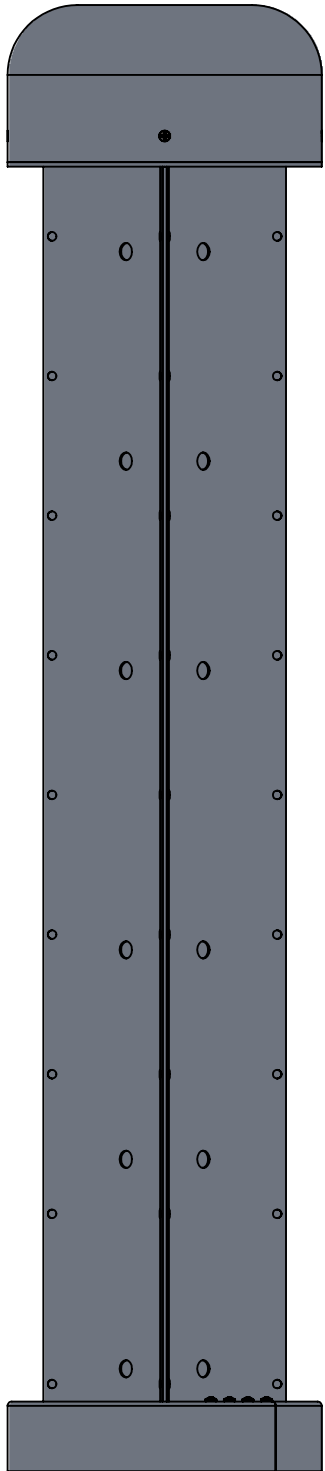
1

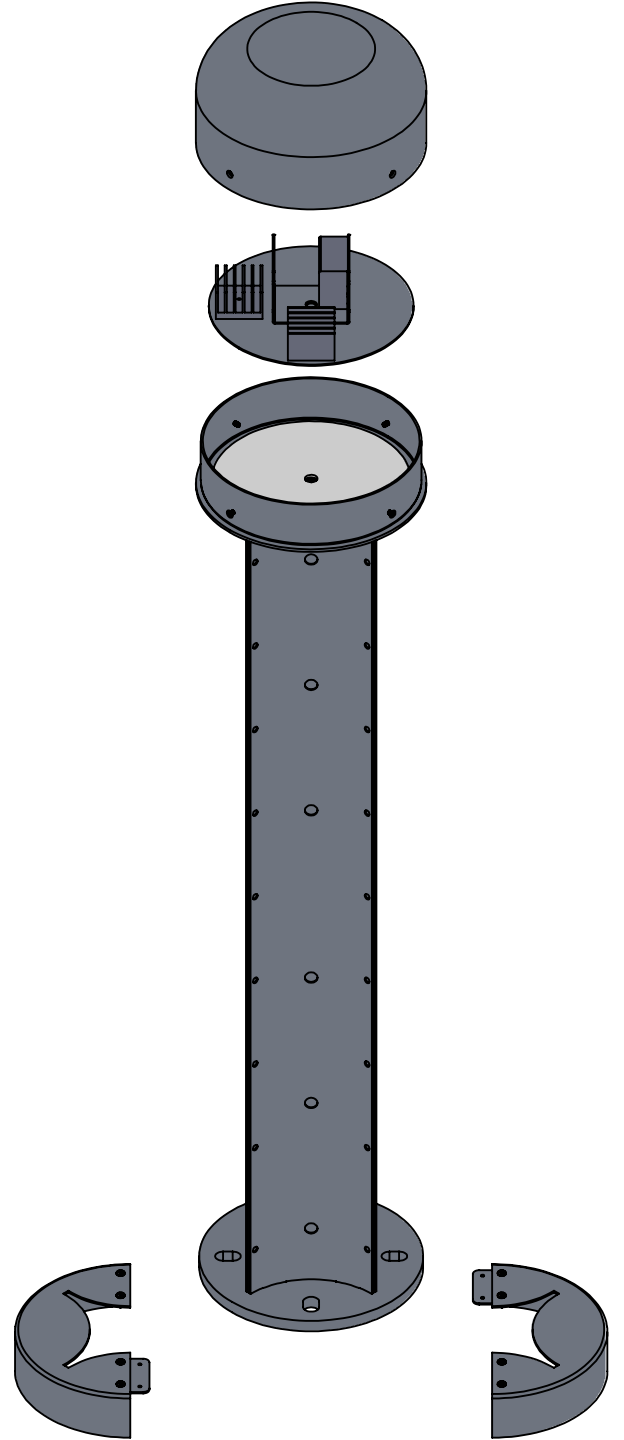
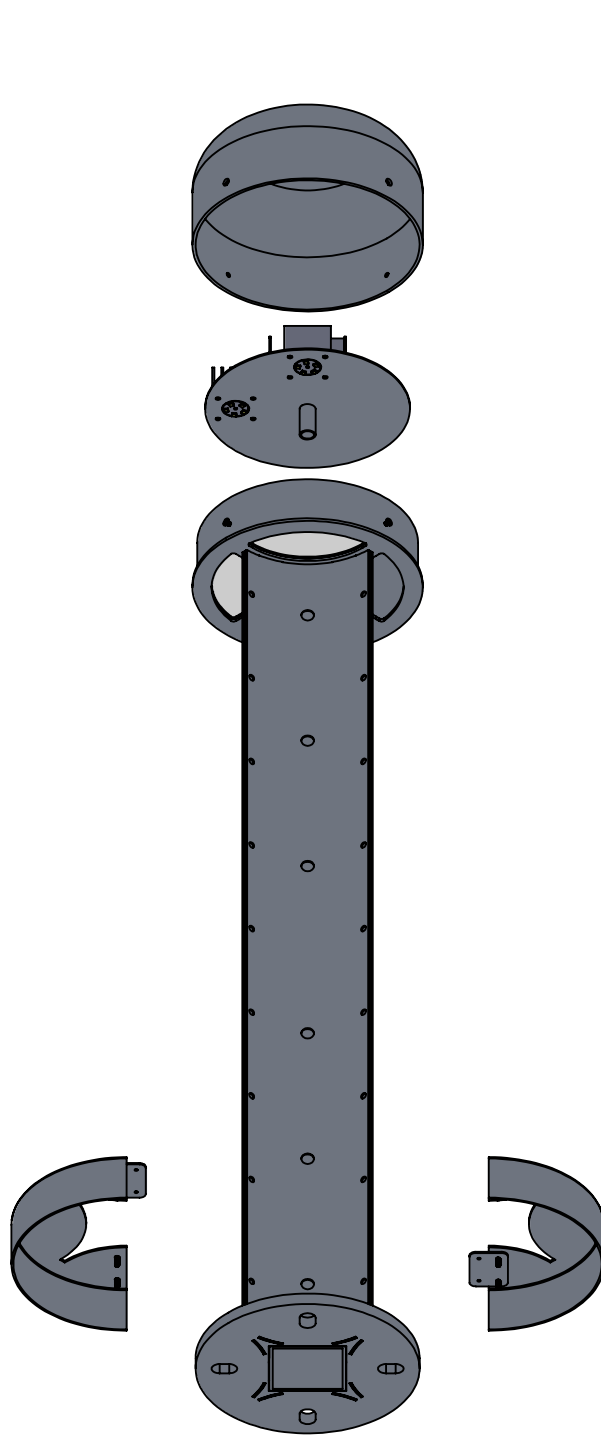
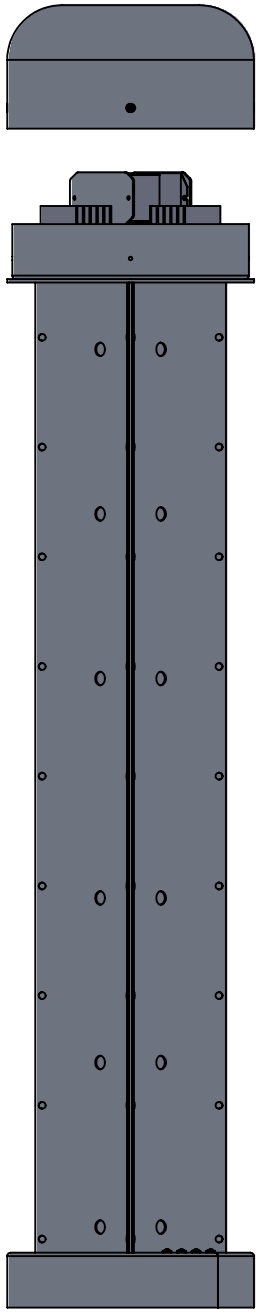
APPLICATION

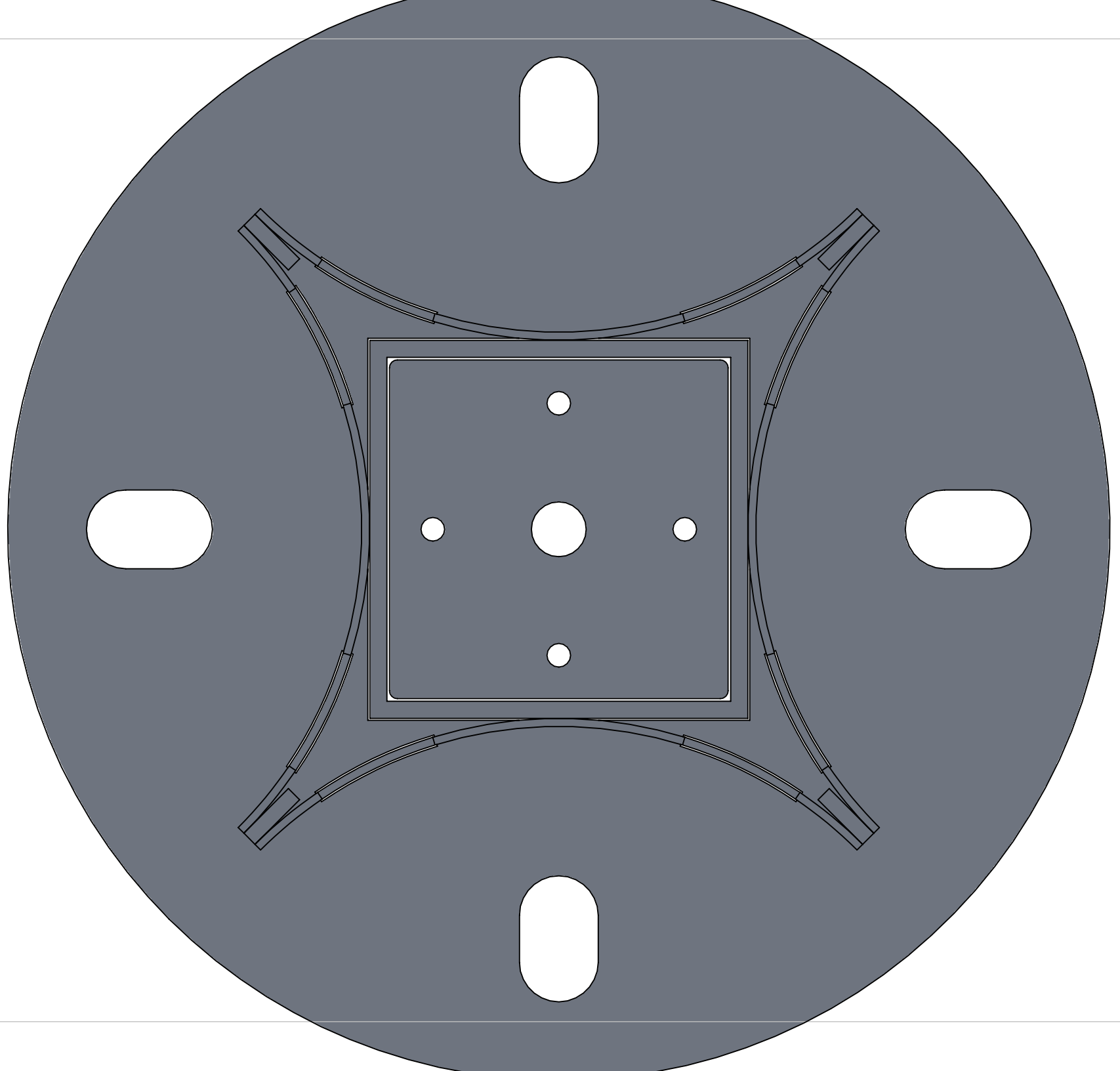
DO NOT SCALE DRAWING

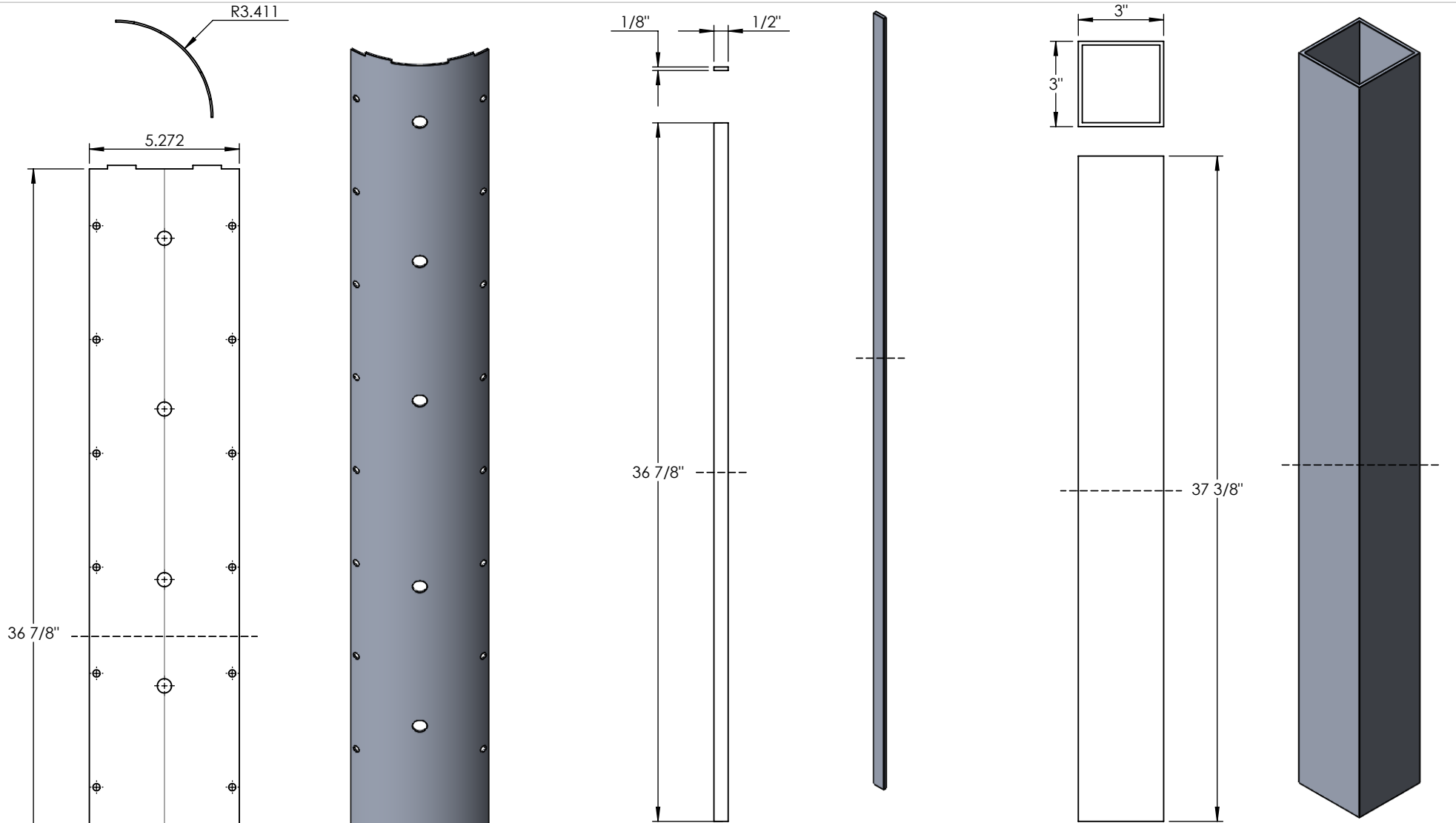
ITEM NO.	PART NUMBER	DESCRIPTION	QTY.	CUT
1	BOL-4ARCH-12W-180D-TBK-CA-42"-30K-SPUN BOTTOM CAP	SPUN ALUMINUM 0.080"	1	
2	BOL-4ARCH-12W-180D-TBK-CA-42"-30K-SPUN CAP	SPUN ALUMINUM 0.080"	1	
3	BOL-4ARCH-12W-180D-TBK-CA-42"-30K-ROUND COVER	SPUN ALUMINUM 0.080"	2	
4	BOL-4ARCH-12W-180D-TBK-CA-42"-30K-LED PLATE	ALUMINUM 0.0635"	1	
5	BOL-4ARCH-12W-180D-TBK-CA-42"-30K-SOCKET BRACKET	ALUMINUM 0.0635"	1	
6	BOL-4ARCH-12W-180D-TBK-CA-42"-30K-FLAT BRACKET	ALUMINUM 0.0635"	2	
7	BOL-4ARCH-12W-180D-TBK-CA-42"-30K-BODY	ALUMINUM 0.0635"	4	
8	BOL-4ARCH-12W-180D-TBK-CA-42"-30K-BOTTOM CAP COVER	ALUMINUM 0.125" PLATE	1	
9	BOL-4ARCH-12W-180D-TBK-CA-42"-30K-TUBE PLATE	ALUMINUM 0.250" PLATE	1	
10	BOL-4ARCH-12W-180D-TBK-CA-42"-30K-ANCHOR PLATE	ALUMINUM 0.500" PLATE	1	
11	BOL-4ARCH-12W-180D-TBK-CA-42"-30K-BODY TUBE	ALUMINUM 3" SQUARE TUBE	1	
12	BOL-4ARCH-12W-180D-TBK-CA-42"-30K-BODY .125X.500 BAR	ALUMINUM 0.125"X0.500" BAR	4	
13	BOL-4ARCH-12W-180D-TBK-CA-42"-30K-0.625" ROUND TUBE	ALUMINUM 0.625" TUBE	1	
14	BOL-4ARCH-12W-180D-TBK-CA-42"-30K-ACRYLIC	ACRYLIC	1	
15	46 MM HEAT SINK	HEAT SINK	2	
16	EspenTECH_120277V_SKU808076	DRIVER	1	
17	AltaILED PCN D1000 105B	LED	2	











UNLESS OTHERWISE SPECIFIED:

DIMENSIONS ARE IN INCHES  
 TOLERANCES:  
 FRACTIONAL ±  
 ANGULAR: MACH ± BEND ±  
 TWO PLACE DECIMAL ±  
 THREE PLACE DECIMAL ±

INTERPRET GEOMETRIC TOLERANCING PER:

MATERIAL

FINISH

NAME

DATE

ALUMINUM 3" SQUARE TUBE

TITLE:

BOL-4ARCH-12W-180D-TBK-CA-42"-30K

DRAWN

CHECKED

ENG APPR.

MFG APPR.

Q.A.

COMMENTS:

SIZE  
**A**

DWG. NO.

REV

SCALE: 1:5

WEIGHT:

SHEET 6 OF 13

NEXT ASSY

USED ON

APPLICATION

DO NOT SCALE DRAWING

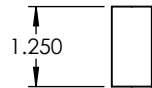
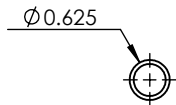
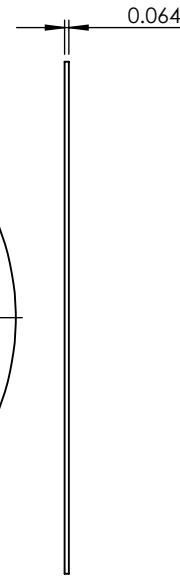
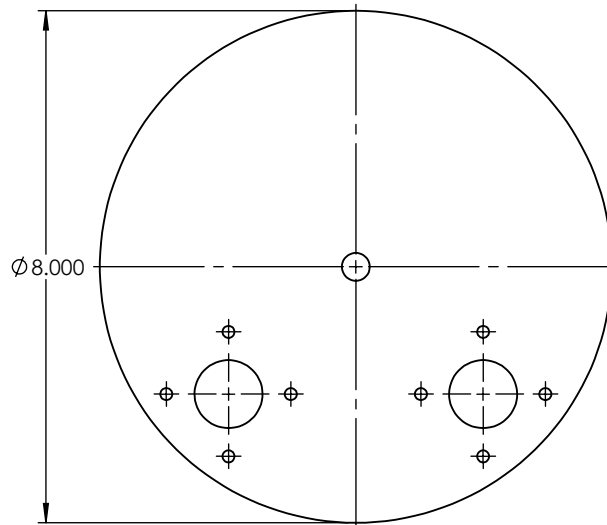
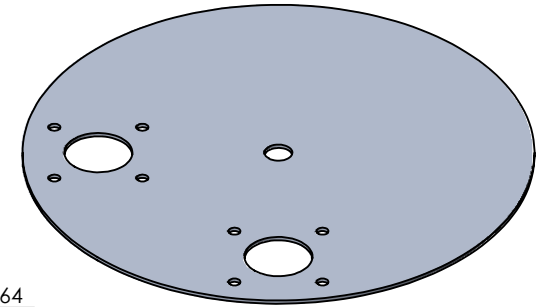
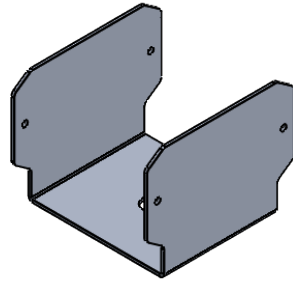
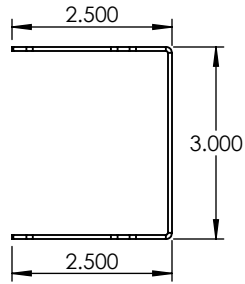
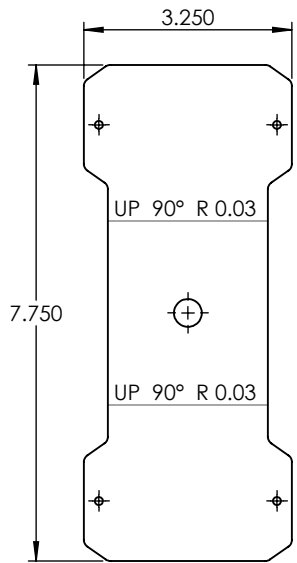
5

4

3

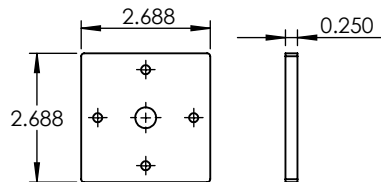
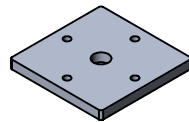
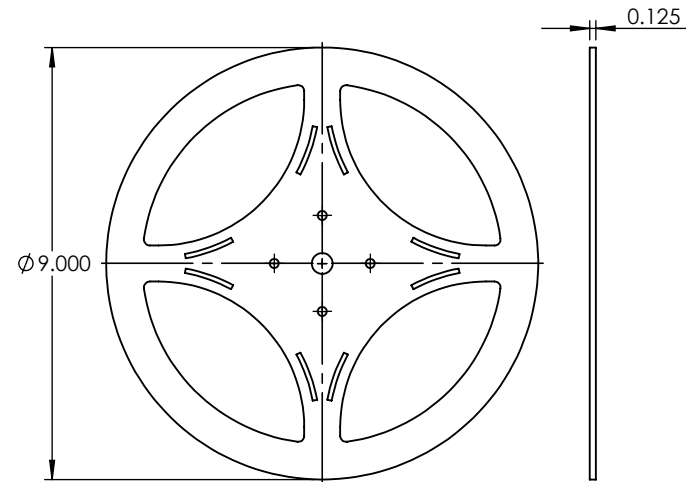
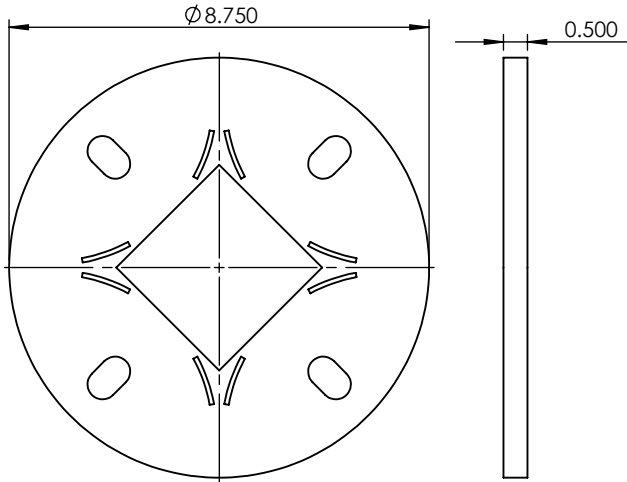
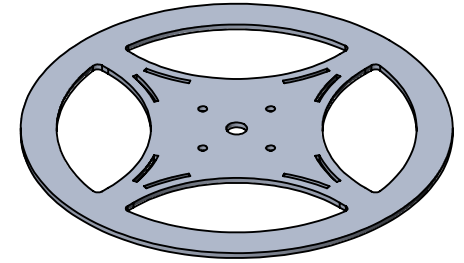
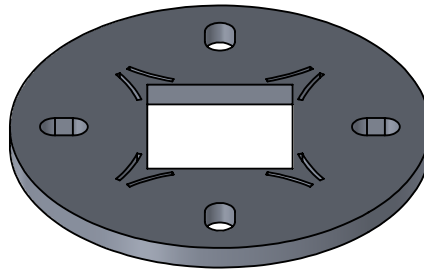
2

1



**PROPRIETARY AND CONFIDENTIAL**  
 THE INFORMATION CONTAINED IN THIS DRAWING IS THE SOLE PROPERTY OF <INSERT COMPANY NAME HERE>. ANY REPRODUCTION IN PART OR AS A WHOLE WITHOUT THE WRITTEN PERMISSION OF <INSERT COMPANY NAME HERE> IS PROHIBITED.

		UNLESS OTHERWISE SPECIFIED:	NAME	DATE	ALUMINUM 0.0635"	
		DIMENSIONS ARE IN INCHES	DRAWN		TITLE:	
		TOLERANCES:	CHECKED		BOL-4ARCH-12W-180D-TBK-CA-42"-30K	
		FRACTIONAL ±	ENG APPR.		SIZE DWG. NO. REV	
		ANGULAR: MACH ± BEND ±	MFG APPR.		A	
		TWO PLACE DECIMAL ±	Q.A.		SCALE: 1:3 WEIGHT: SHEET 7 OF 13	
		THREE PLACE DECIMAL ±	COMMENTS:			
		INTERPRET GEOMETRIC TOLERANCING PER:				
		MATERIAL				
NEXT ASSY	USED ON	FINISH				
APPLICATION		DO NOT SCALE DRAWING				



UNLESS OTHERWISE SPECIFIED:		NAME	DATE	ALUMINUM 0.125" PLATE		
DIMENSIONS ARE IN INCHES		DRAWN				TITLE:
TOLERANCES:		CHECKED		BOL-4ARCH-12W-180D-TBK-CA-42"-30K		
FRACTIONAL ±		ENG APPR.				
ANGULAR: MACH ± BEND ±		MFG APPR.				
TWO PLACE DECIMAL ±		Q.A.		SIZE	DWG. NO.	REV
THREE PLACE DECIMAL ±		COMMENTS:		<b>A</b>		
INTERPRET GEOMETRIC TOLERANCING PER:				SCALE: 1:4	WEIGHT:	SHEET 8 OF 13
MATERIAL						
FINISH						
APPLICATION		DO NOT SCALE DRAWING				

**PROPRIETARY AND CONFIDENTIAL**  
 THE INFORMATION CONTAINED IN THIS DRAWING IS THE SOLE PROPERTY OF <INSERT COMPANY NAME HERE>. ANY REPRODUCTION IN PART OR AS A WHOLE WITHOUT THE WRITTEN PERMISSION OF <INSERT COMPANY NAME HERE> IS PROHIBITED.

NEXT ASSY	USED ON
APPLICATION	

5

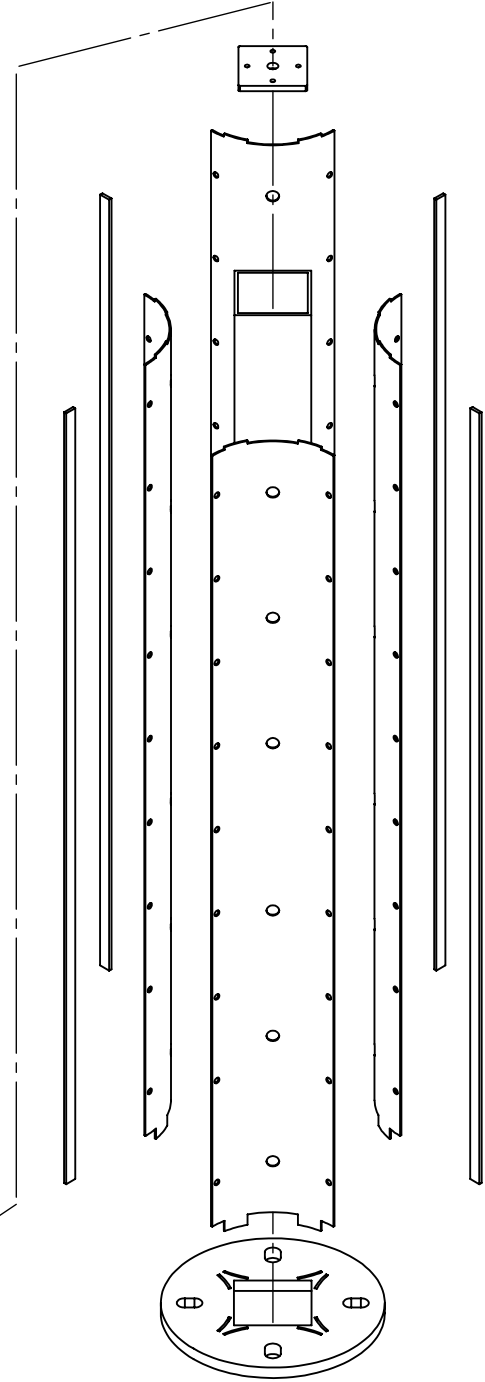
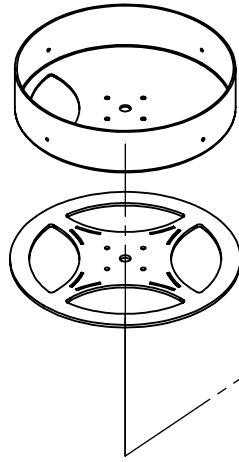
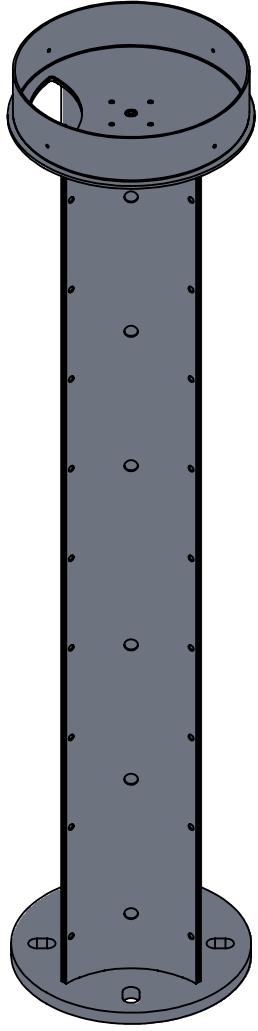
4

3

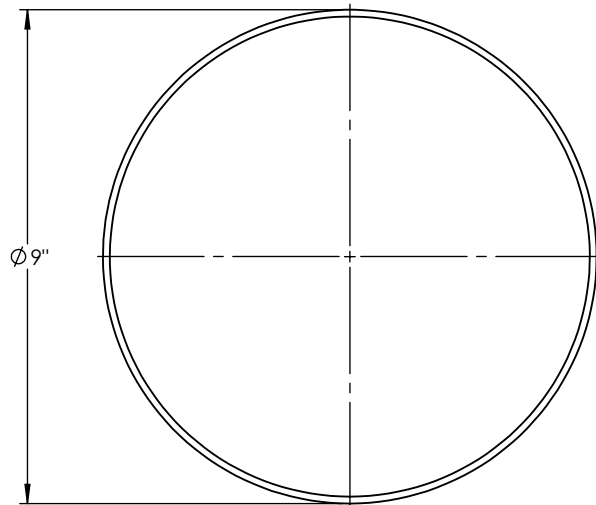
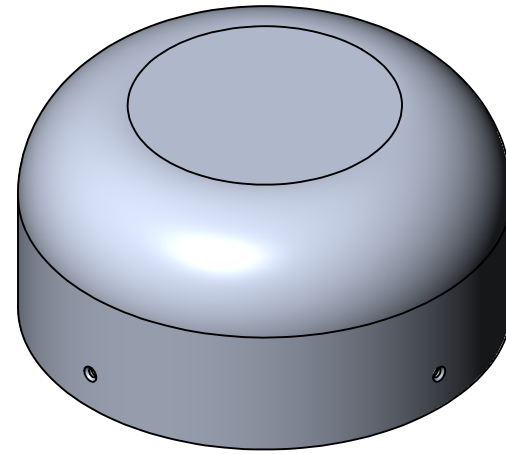
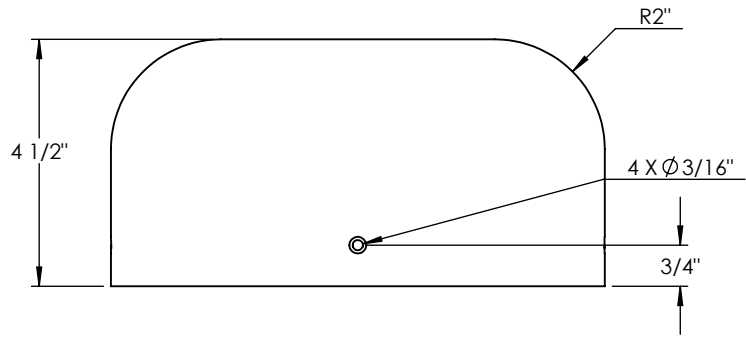
2

1





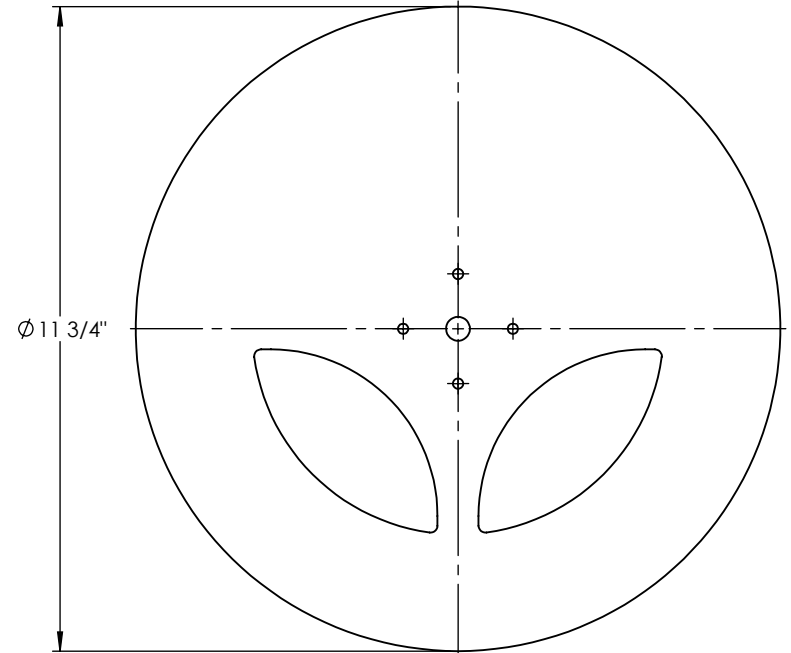
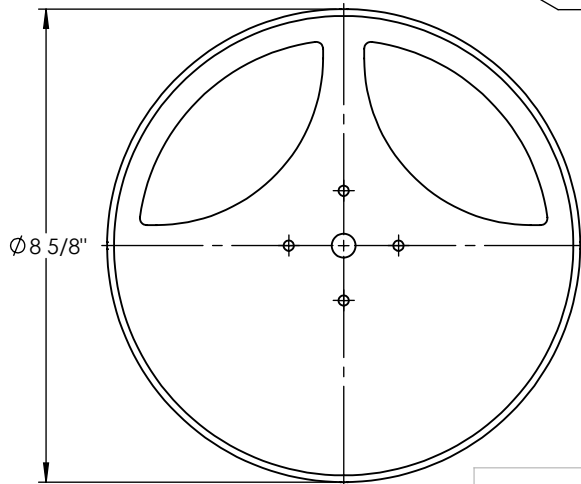
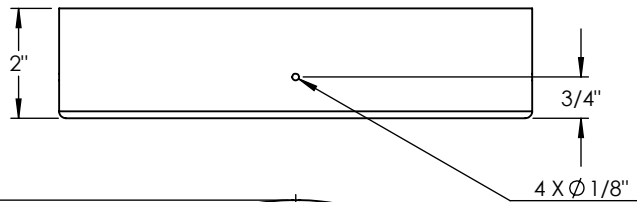
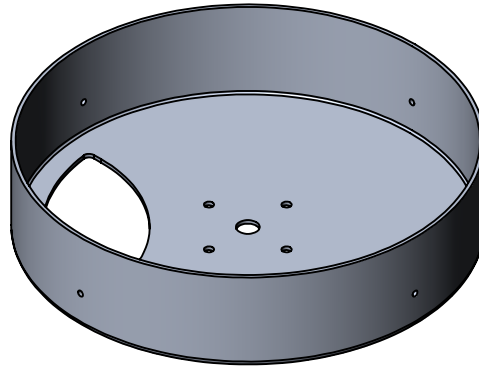
ITEM NO.	PART NUMBER	DESCRIPTION	QTY.
1	BOL-4ARCH-12W-180D-TBK-CA-42"-30K-SPUN CAP	SPUN ALUMINUM 0.080"	1



**PROPRIETARY AND CONFIDENTIAL**  
 THE INFORMATION CONTAINED IN THIS DRAWING IS THE SOLE PROPERTY OF <INSERT COMPANY NAME HERE>. ANY REPRODUCTION IN PART OR AS A WHOLE WITHOUT THE WRITTEN PERMISSION OF <INSERT COMPANY NAME HERE> IS PROHIBITED.

		UNLESS OTHERWISE SPECIFIED:	NAME	DATE	SPUN ALUMINUM 0.080"	
		DIMENSIONS ARE IN INCHES	DRAWN		TITLE:	
		TOLERANCES:	CHECKED		BOL-4ARCH-12W-180D-TBK-CA-42"-30K	
		FRACTIONAL ±	ENG APPR.		SIZE DWG. NO. REV	
		ANGULAR: MACH ± BEND ±	MFG APPR.		A	
		TWO PLACE DECIMAL ±	Q.A.		SCALE: 1:3.5 WEIGHT: SHEET 10 OF 13	
		THREE PLACE DECIMAL ±	COMMENTS:			
		INTERPRET GEOMETRIC TOLERANCING PER:				
		MATERIAL				
NEXT ASSY	USED ON	FINISH				
APPLICATION		DO NOT SCALE DRAWING				

ITEM NO.	PART NUMBER	DESCRIPTION	QTY.
1	BOL-4ARCH-12W-180D-TBK-CA-42"-30K-SPUN BOTTOM CAP	SPUN ALUMINUM 0.080"	1



**PROPRIETARY AND CONFIDENTIAL**  
 THE INFORMATION CONTAINED IN THIS DRAWING IS THE SOLE PROPERTY OF <INSERT COMPANY NAME HERE>. ANY REPRODUCTION IN PART OR AS A WHOLE WITHOUT THE WRITTEN PERMISSION OF <INSERT COMPANY NAME HERE> IS PROHIBITED.

		UNLESS OTHERWISE SPECIFIED:	NAME	DATE	SPUN ALUMINUM 0.080"	
		DIMENSIONS ARE IN INCHES	DRAWN		TITLE:	
		TOLERANCES:	CHECKED		BOL-4ARCH-12W-180D-TBK-CA-42"-30K	
		FRACTIONAL ±	ENG APPR.		SIZE DWG. NO. REV	
		ANGULAR: MACH ± BEND ±	MFG APPR.		A	
		TWO PLACE DECIMAL ±	Q.A.		SCALE: 1:3.5 WEIGHT: SHEET 11 OF 13	
		THREE PLACE DECIMAL ±	COMMENTS:			
		INTERPRET GEOMETRIC TOLERANCING PER:				
		MATERIAL				
NEXT ASSY	USED ON	FINISH				
APPLICATION		DO NOT SCALE DRAWING				

5

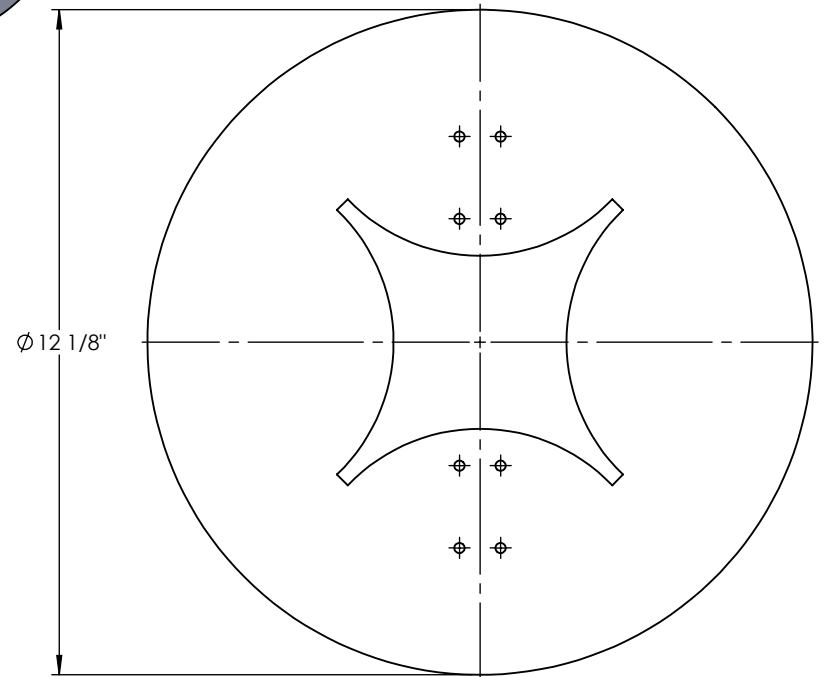
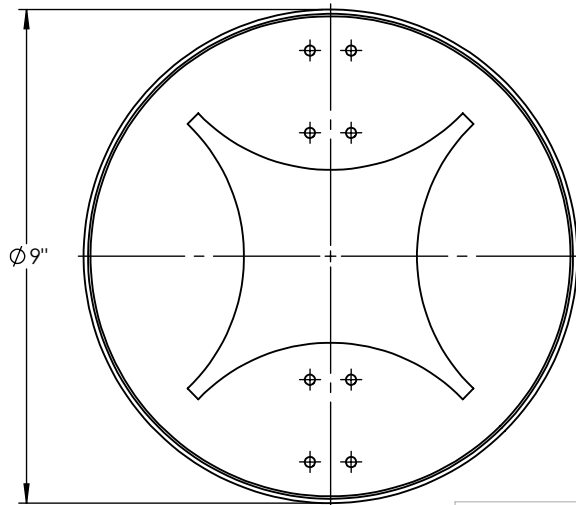
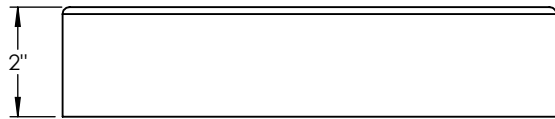
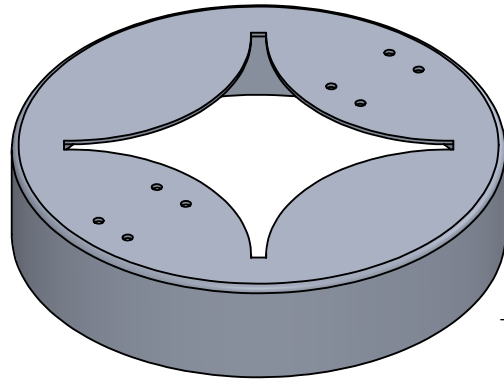
4

3

2

1

ITEM NO.	PART NUMBER	DESCRIPTION	QTY.
1	BOL-4ARCH-12W-180D-TBK-CA-42"-30K-SPUN CAP	SPUN ALUMINUM 0.080"	1



**PROPRIETARY AND CONFIDENTIAL**  
 THE INFORMATION CONTAINED IN THIS DRAWING IS THE SOLE PROPERTY OF <INSERT COMPANY NAME HERE>. ANY REPRODUCTION IN PART OR AS A WHOLE WITHOUT THE WRITTEN PERMISSION OF <INSERT COMPANY NAME HERE> IS PROHIBITED.

		UNLESS OTHERWISE SPECIFIED:	NAME	DATE	SPUN ALUMINUM 0.080"	
		DIMENSIONS ARE IN INCHES	DRAWN		TITLE:	
		TOLERANCES:	CHECKED		BOL-4ARCH-12W-180D-TBK-CA-42"-30K	
		FRACTIONAL ±	ENG APPR.		SIZE DWG. NO. REV	
		ANGULAR: MACH ± BEND ±	MFG APPR.		A	
		TWO PLACE DECIMAL ±	Q.A.		SCALE: 1:3.5 WEIGHT: SHEET 12 OF 13	
		THREE PLACE DECIMAL ±	COMMENTS:			
		INTERPRET GEOMETRIC TOLERANCING PER:				
		MATERIAL				
NEXT ASSY		FINISH				
APPLICATION		DO NOT SCALE DRAWING				

