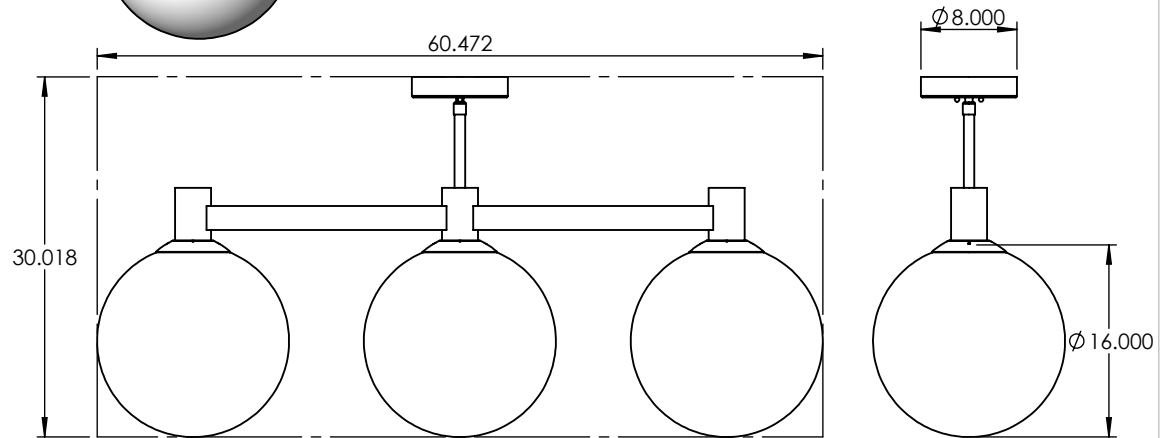
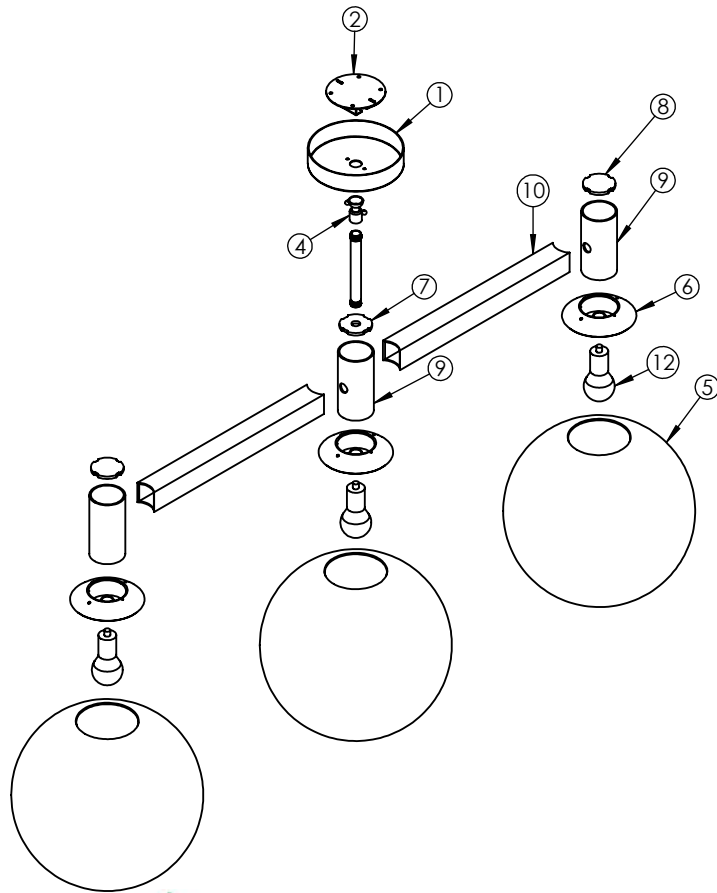
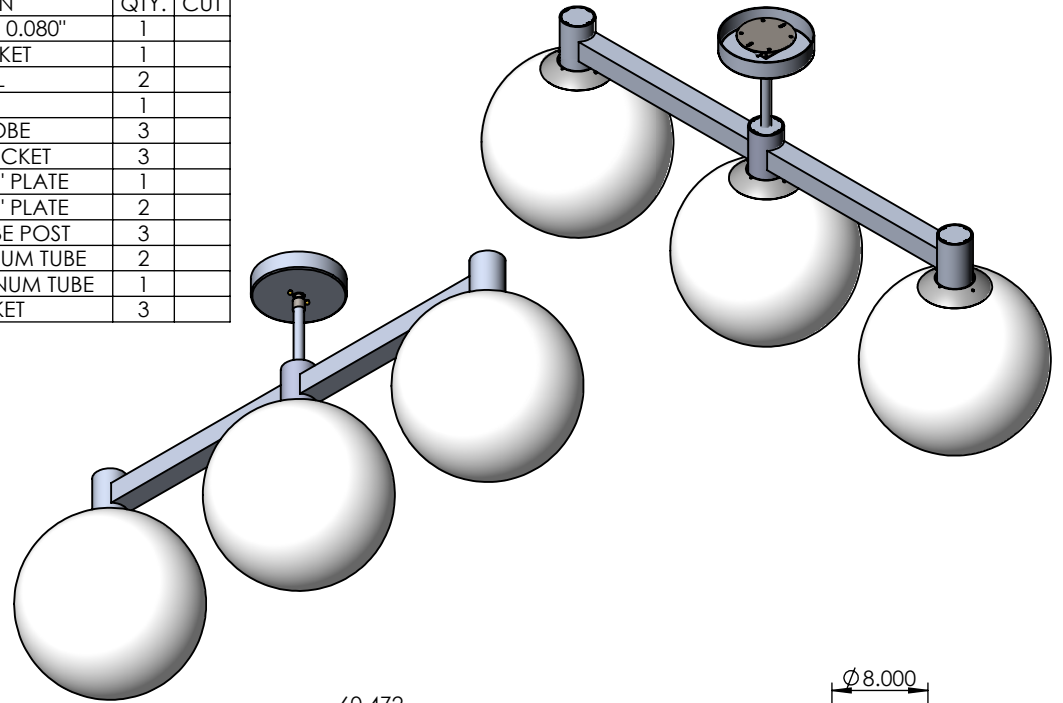


ITEM NO.	PART NUMBER	DESCRIPTION	QTY.	CUT
1	8" SWIVEL CANOPY	SPUN ALUMINUM 0.080"	1	
2	SWIVEL BRACKET	SWIVEL BRACKET	1	
3	.375 BRASS BALL	BRASS BALL	2	
4	SWIVEL	SWIVEL	1	
5	GLBX3-P-3MED-MBK-A-30"OAH-GLOBE	ACRILYC GLOBE	3	
6	GLBX3-P-3MED-MBK-A-30"OAH-GLOBE BRACKET	CAST STEEL BRACKET	3	
7	GLBX3-P-3MED-MBK-A-30"OAH-0.250" NUT	ALUMINUM 0.250" PLATE	1	
8	GLBX3-P-3MED-MBK-A-30"OAH-3 " CYLINDER CAP TOP	ALUMINUM 0.250" PLATE	2	
9	GLBX3-P-3MED-MBK-A-30"OAH-3" CYLINDER POST	3" ALUMINUM TUBE POST	3	
10	GLBX3-P-3MED-MBK-A-30"OAH-SQUARE ARM TUBE	2" SQUARE ALUMINUM TUBE	2	
11	GLBX3-P-3MED-MBK-A-30"OAH-CONNECTING TUBE .875"	7/8" ROUND ALUMINUM TUBE	1	
12	INCANDESCENT LIGHT BULB	BULB & SOCKET	3	



UNLESS OTHERWISE SPECIFIED:

DIMENSIONS ARE IN INCHES
 TOLERANCES:
 FRACTIONAL ± .003
 ANGULAR: MACH ± .01 BEND ±
 TWO PLACE DECIMAL ±
 THREE PLACE DECIMAL ± .001

INTERPRET GEOMETRIC
 TOLERANCING PER:
 MATERIAL

FINISH

	NAME	DATE
DRAWN		
CHECKED		
ENG APPR.		
MFG APPR.		
Q.A.		

COMMENTS:

TITLE:

GLBX3-P-3MED-MBK-A-30"OAH

SIZE	DWG. NO.	REV
A	TICKET 25102	

SCALE: 1:16 WEIGHT: SHEET 1 OF 6



ALL BEND RADIUS .030"

APPLICATION

DO NOT SCALE DRAWING

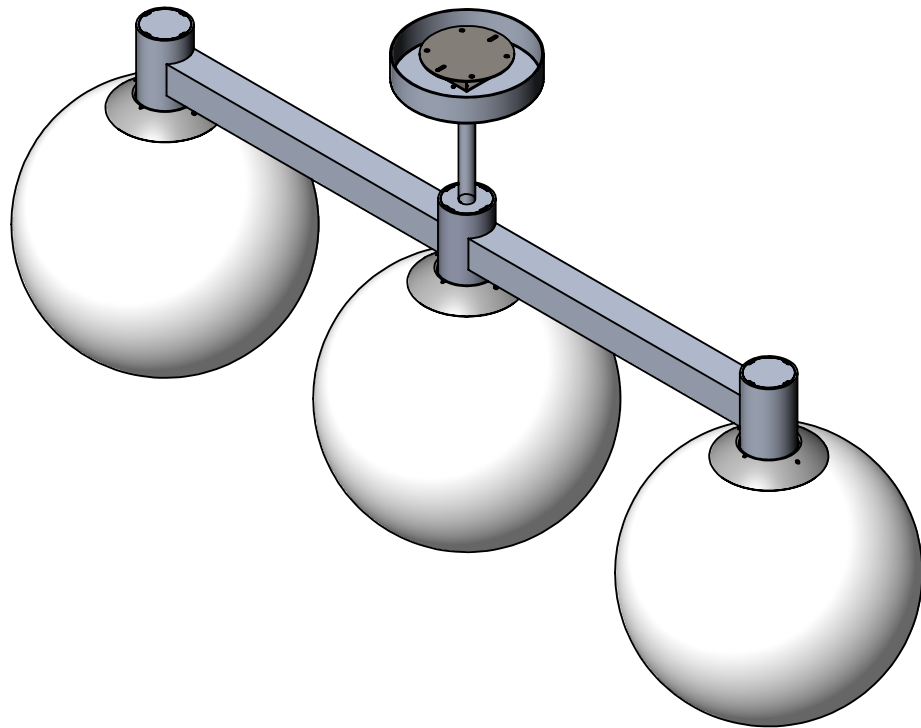
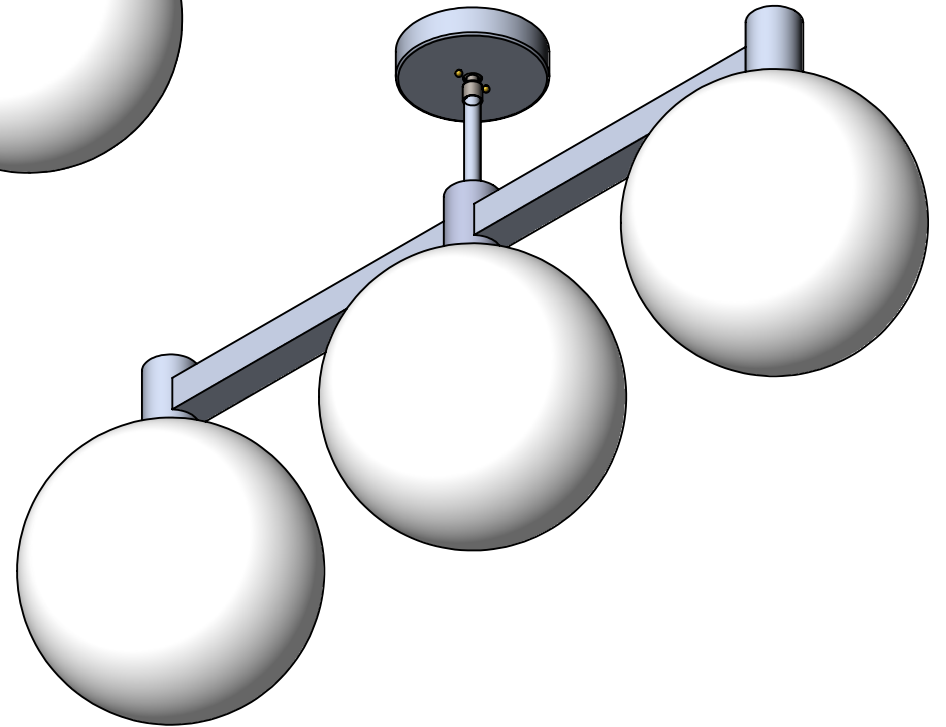
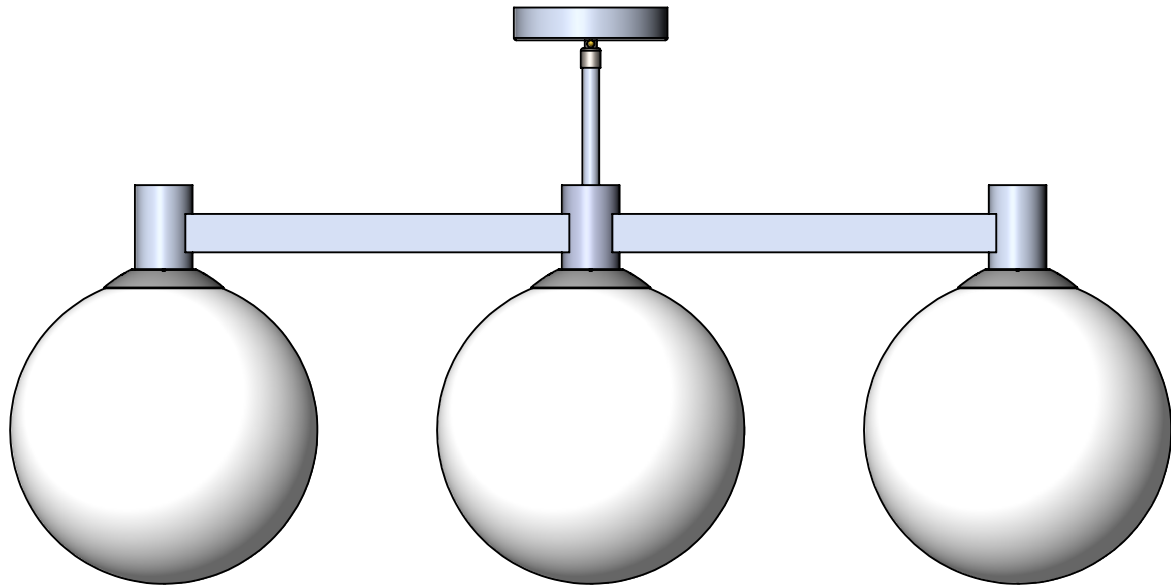
5

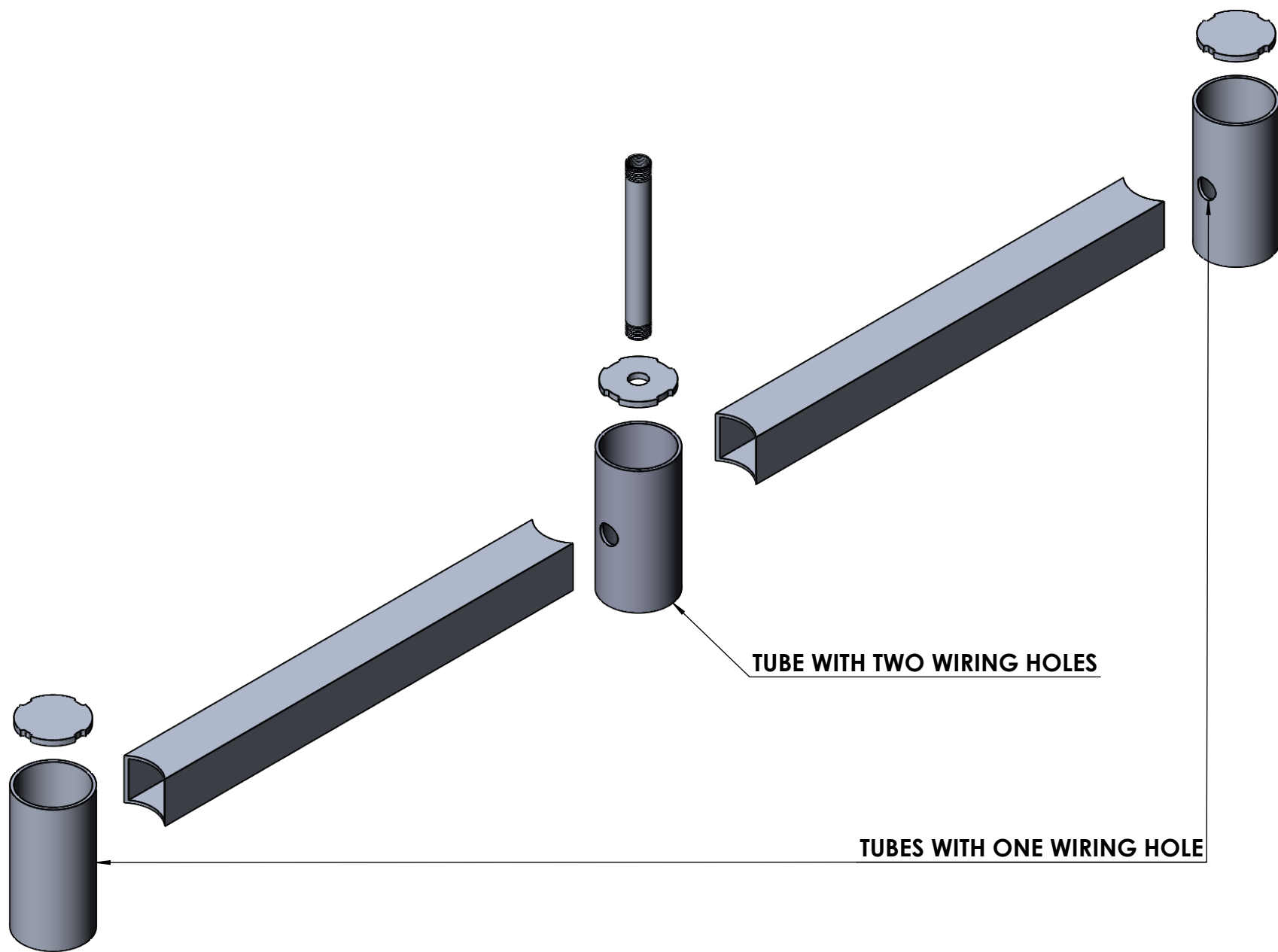
4

3

2

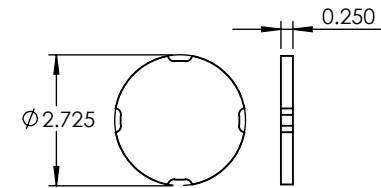
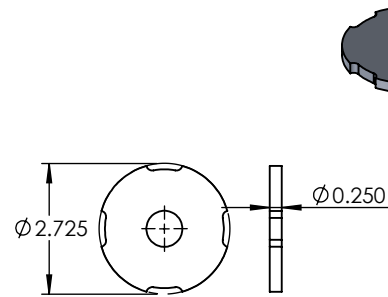
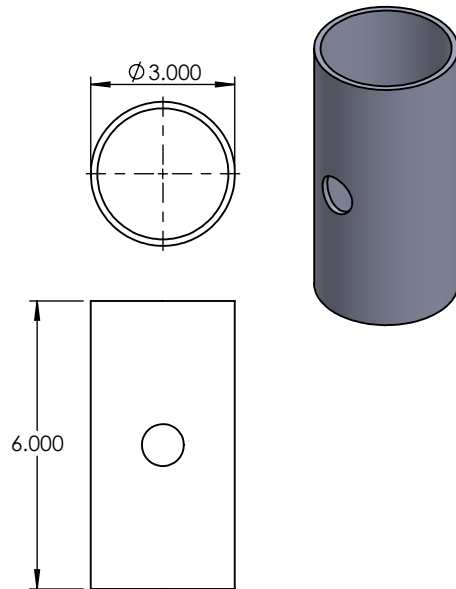
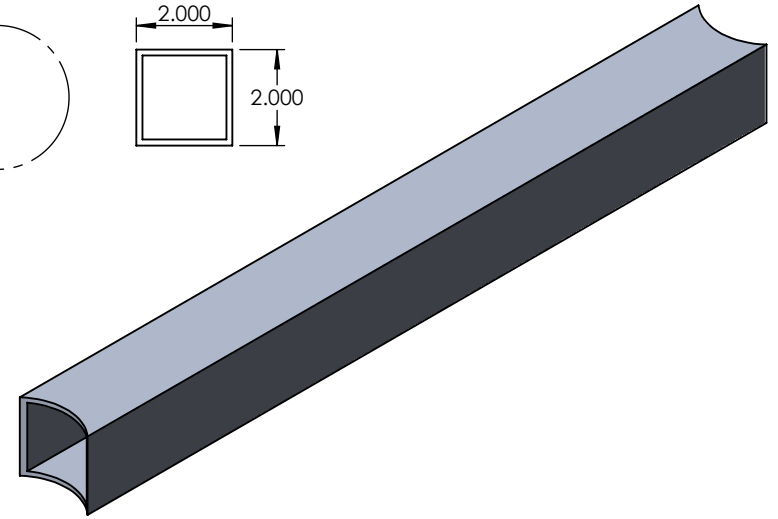
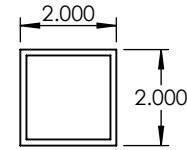
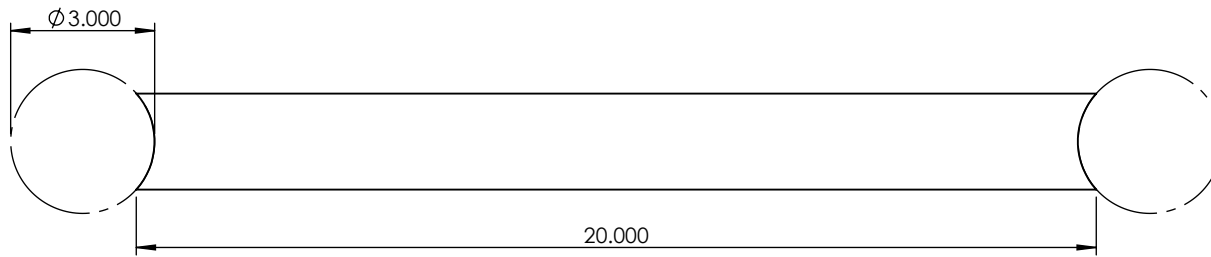
1





TUBE WITH TWO WIRING HOLES

TUBES WITH ONE WIRING HOLE



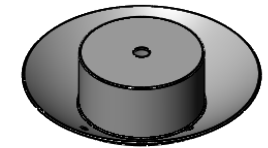
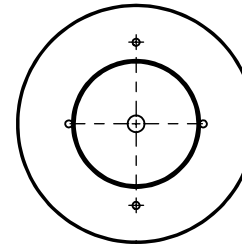
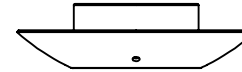
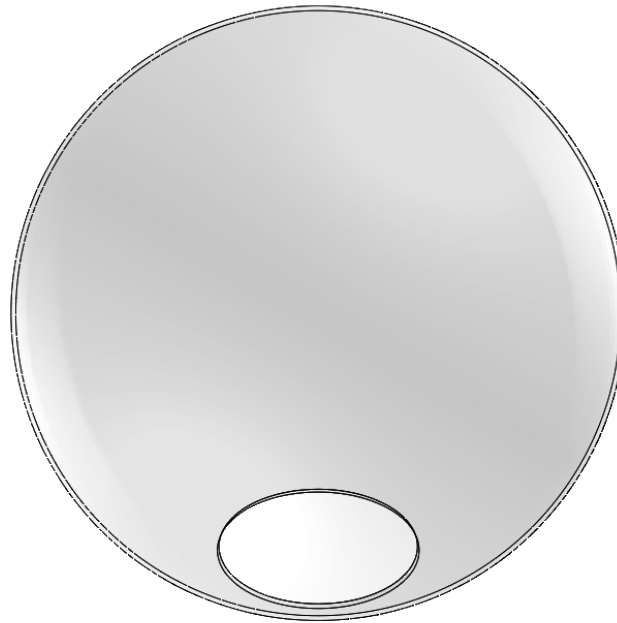
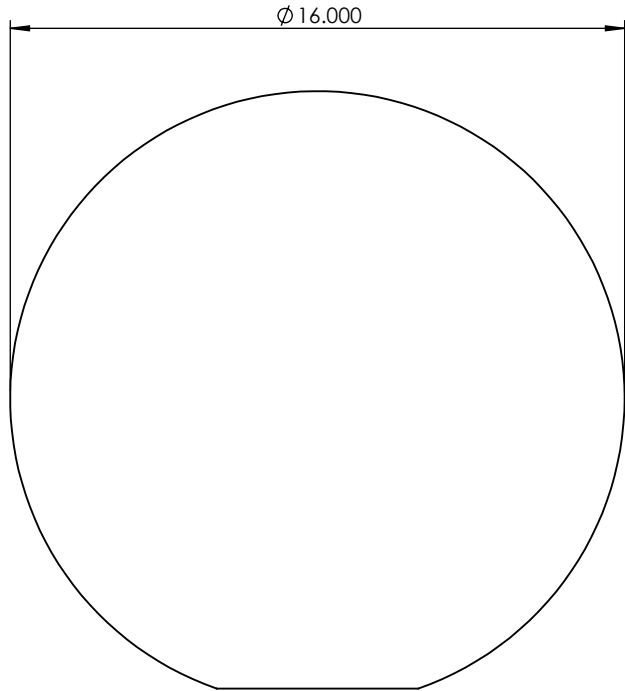
PROPRIETARY AND CONFIDENTIAL
 THE INFORMATION CONTAINED IN THIS DRAWING IS THE SOLE PROPERTY OF <INSERT COMPANY NAME HERE>. ANY REPRODUCTION IN PART OR AS A WHOLE WITHOUT THE WRITTEN PERMISSION OF <INSERT COMPANY NAME HERE> IS PROHIBITED.

NEXT ASSY	USED ON
APPLICATION	

UNLESS OTHERWISE SPECIFIED:
DIMENSIONS ARE IN INCHES
TOLERANCES:
FRACTIONAL ±
ANGULAR: MACH ± BEND ±
TWO PLACE DECIMAL ±
THREE PLACE DECIMAL ±
INTERPRET GEOMETRIC TOLERANCING PER:
MATERIAL
FINISH
DO NOT SCALE DRAWING

NAME	DATE
DRAWN	
CHECKED	
ENG APPR.	
MFG APPR.	
Q.A.	
COMMENTS:	

3" ALUMINUM TUBE		
TITLE:		
GLBX3-P-3MED-MBK-A-30"OAH		
SIZE	DWG. NO.	REV
A		
SCALE: 1:4	WEIGHT:	SHEET 4 OF 6



PROPRIETARY AND CONFIDENTIAL
 THE INFORMATION CONTAINED IN THIS DRAWING IS THE SOLE PROPERTY OF <INSERT COMPANY NAME HERE>. ANY REPRODUCTION IN PART OR AS A WHOLE WITHOUT THE WRITTEN PERMISSION OF <INSERT COMPANY NAME HERE> IS PROHIBITED.

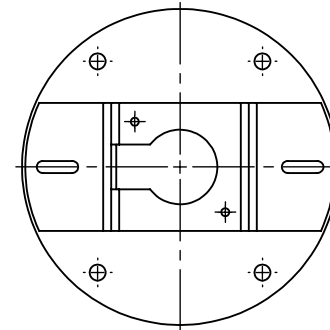
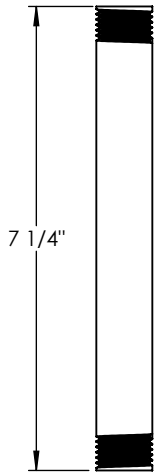
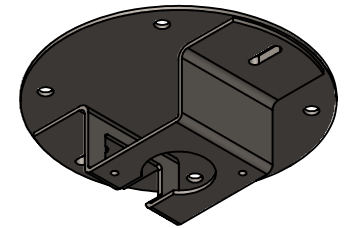
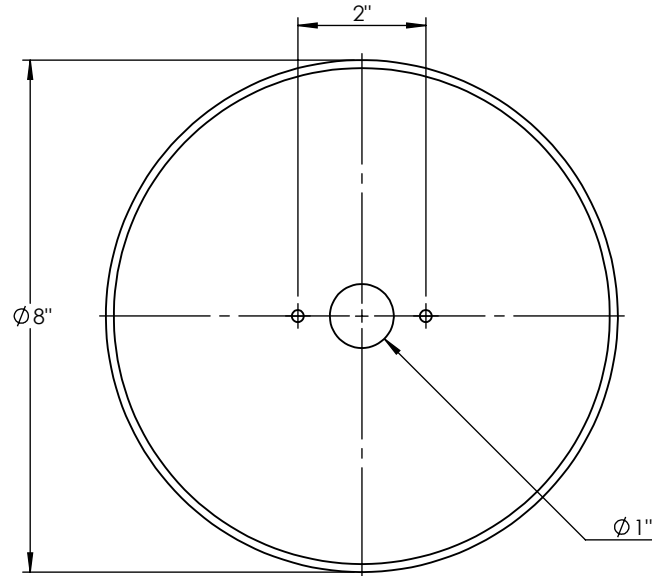
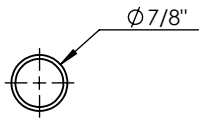
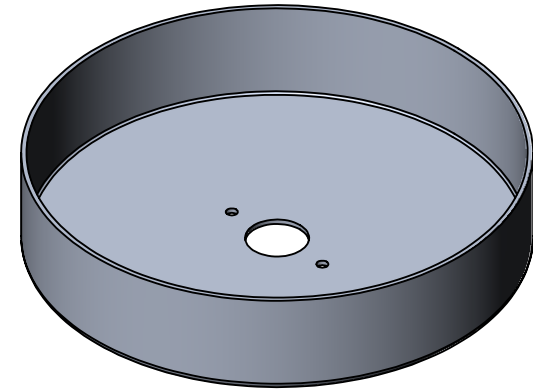
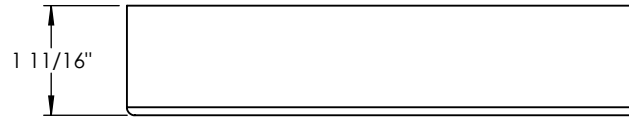
		UNLESS OTHERWISE SPECIFIED:		NAME	DATE
		DIMENSIONS ARE IN INCHES	DRAWN		
		TOLERANCES:	CHECKED		
		FRACTIONAL ±	ENG APPR.		
		ANGULAR: MACH ± BEND ±	MFG APPR.		
		TWO PLACE DECIMAL ±	Q.A.		
		THREE PLACE DECIMAL ±	COMMENTS:		
		INTERPRET GEOMETRIC TOLERANCING PER:			
		MATERIAL			
		FINISH			
NEXT ASSY	USED ON				
APPLICATION		DO NOT SCALE DRAWING			

ACRILYC GLOBE

TITLE:
GLBX3-P-3MED-MBK-A-30"OAH

SIZE A	DWG. NO.	REV
SCALE: 1:5	WEIGHT:	SHEET 5 OF 6

ITEM NO.	PART NUMBER	DESCRIPTION	QTY.
1	8" SWIVEL CANOPY	SPUN ALUMINUM 0.080"	1



PROPRIETARY AND CONFIDENTIAL
 THE INFORMATION CONTAINED IN THIS DRAWING IS THE SOLE PROPERTY OF <INSERT COMPANY NAME HERE>. ANY REPRODUCTION IN PART OR AS A WHOLE WITHOUT THE WRITTEN PERMISSION OF <INSERT COMPANY NAME HERE> IS PROHIBITED.

		UNLESS OTHERWISE SPECIFIED:	NAME	DATE
		DIMENSIONS ARE IN INCHES TOLERANCES: FRACTIONAL ± ANGULAR: MACH ± BEND ± TWO PLACE DECIMAL ± THREE PLACE DECIMAL ±	DRAWN	
		INTERPRET GEOMETRIC TOLERANCING PER:	CHECKED	
		MATERIAL	ENG APPR.	
		FINISH	MFG APPR.	
NEXT ASSY	USED ON		Q.A.	
APPLICATION		DO NOT SCALE DRAWING	COMMENTS:	

SPUN ALUMINUM 0.080"		
TITLE:		
GLBX3-P-3MED-MBK-A-30"OAH		
SIZE	DWG. NO.	REV
A		
SCALE: 1:3	WEIGHT:	SHEET 6 OF 6