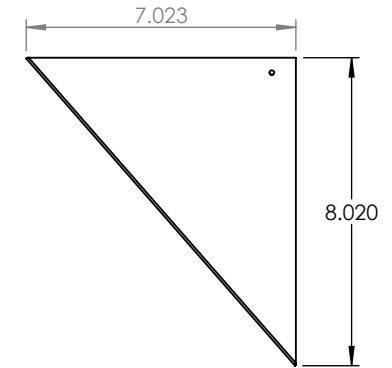
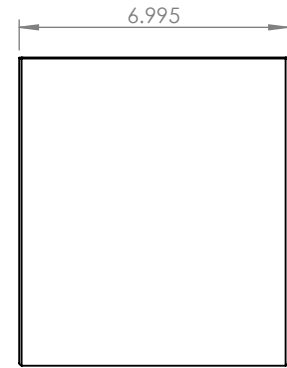
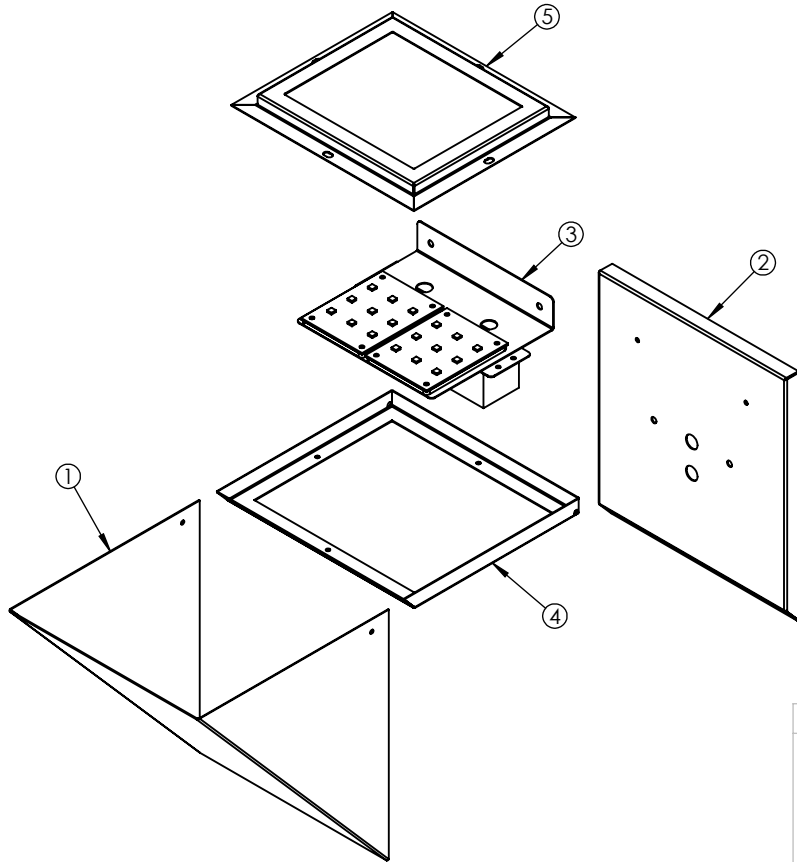
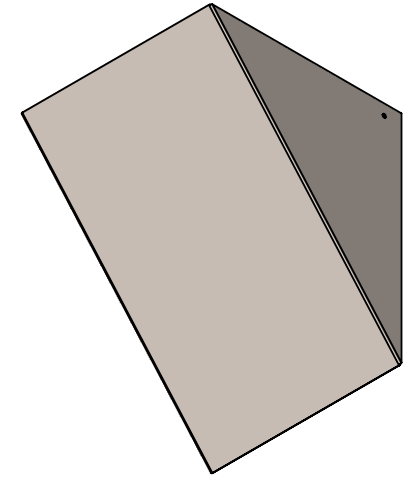
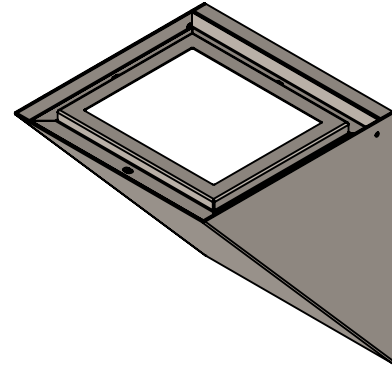


ITEM NO.	PART NUMBER	DESCRIPTION	QTY.	CUT
1	TO-W-8-25W-TBR-CFA-UP-WET-30K-FRAME	22 GAUGE	1	
2	TO-W-8-25W-TBR-CFA-UP-WET-30K-BACKPLATE	22 GAUGE	1	
3	TO-W-8-25W-TBR-CFA-UP-WET-30K-LED BRACKET	22 GAUGE	1	
4	TO-W-8-25W-TBR-CFA-UP-WET-30K-DOOR BRACKET	22 GAUGE	1	
5	TO-W-8-25W-TBR-CFA-UP-WET-30K-DOOR	22 GAUGE	1	
6	TO-W-8-25W-TBR-CFA-UP-WET-30K-ACRYLIC	ACRYLIC	1	
7	AltaI_LED_PN1019_SHIM PLATE	ALUMINUM 0.125" PLATE	2	
8	ESPEN VEL29070MVH-1	DRIVER	1	
9	AltaI_LED_PN1019_RevC	LED	2	



UNLESS OTHERWISE SPECIFIED:

DIMENSIONS ARE IN INCHES
 TOLERANCES:
 FRACTIONAL ± .003
 ANGULAR: MACH ± .01 BEND ±
 TWO PLACE DECIMAL ±
 THREE PLACE DECIMAL ±.001

INTERPRET GEOMETRIC
 TOLERANCING PER:

MATERIAL

FINISH

ALL BEND RADIUS .030"

APPLICATION

DO NOT SCALE DRAWING

	NAME	DATE
DRAWN		
CHECKED		
ENG APPR.		
MFG APPR.		
Q.A.		

COMMENTS:

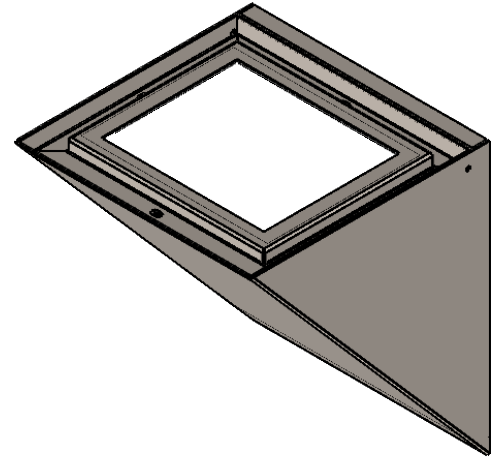
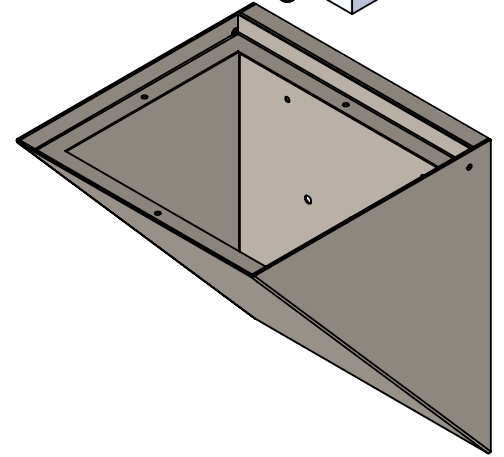
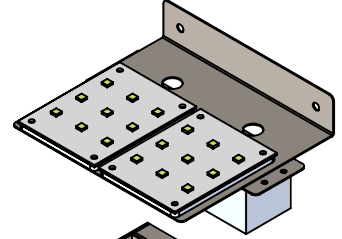
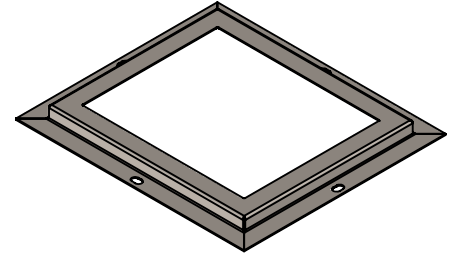
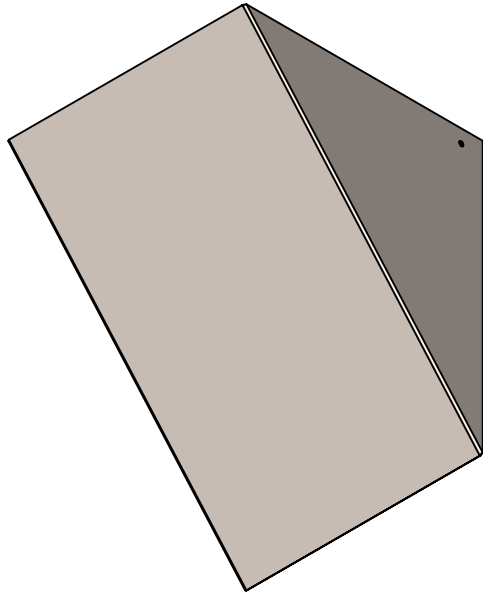
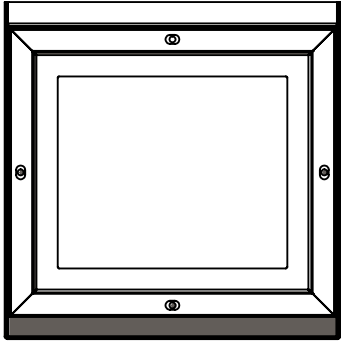
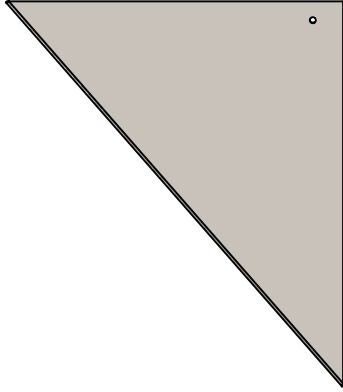
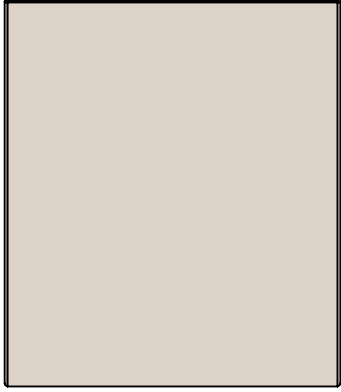
TITLE:

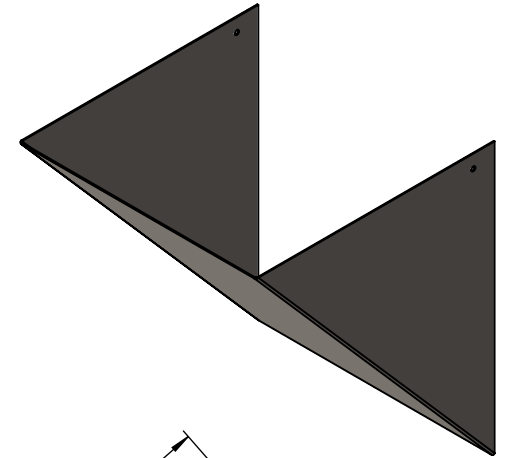
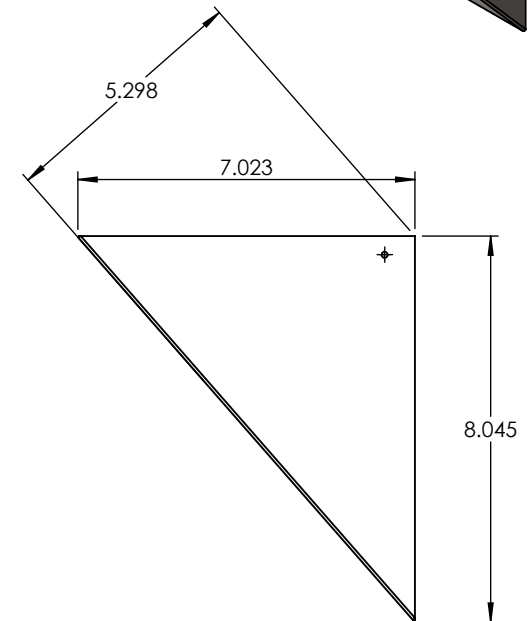
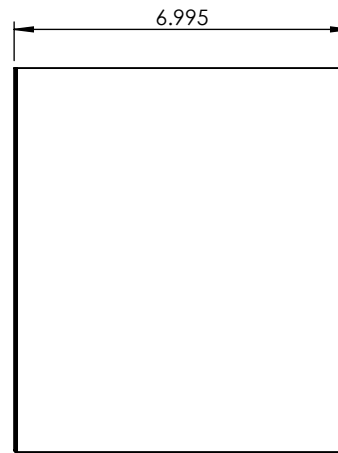
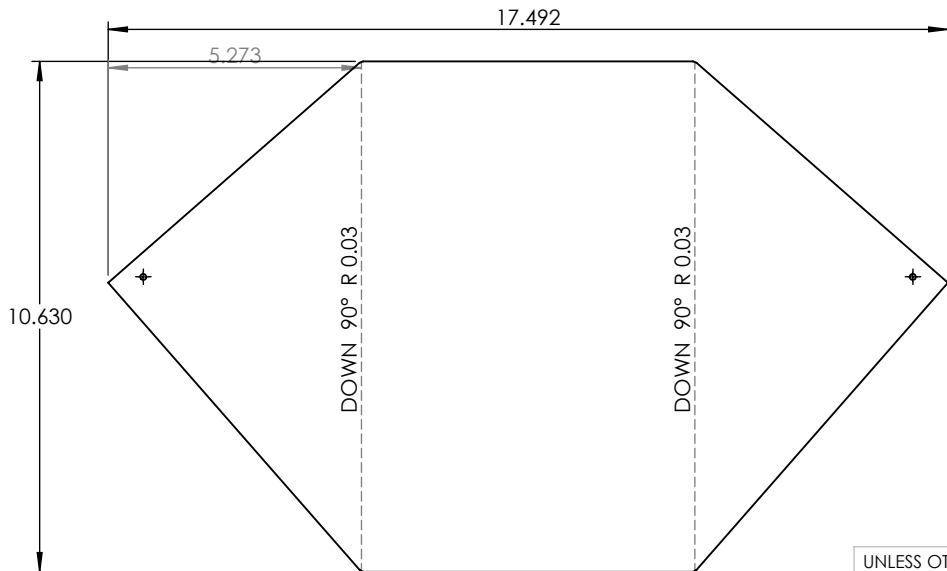
TO-W-8-25W-TBR-CFA-UP-WET-30K

SIZE	DWG. NO.	REV
A	TICKET 25114	

SCALE: 1:5	WEIGHT:	SHEET 1 OF 5
------------	---------	--------------

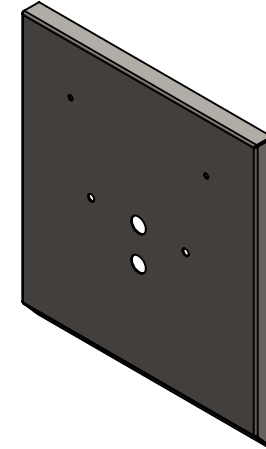
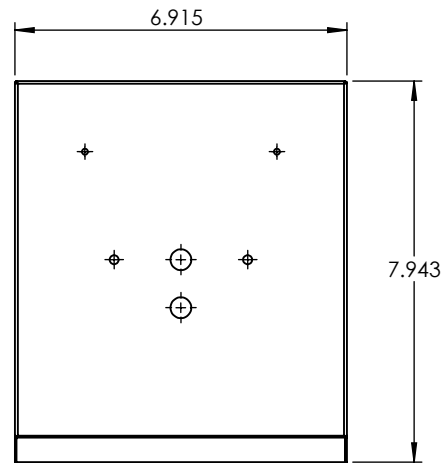
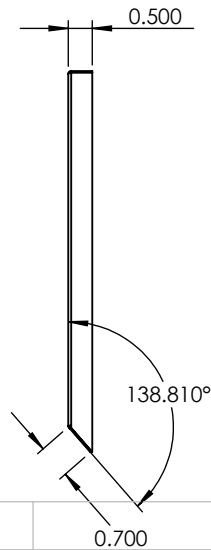
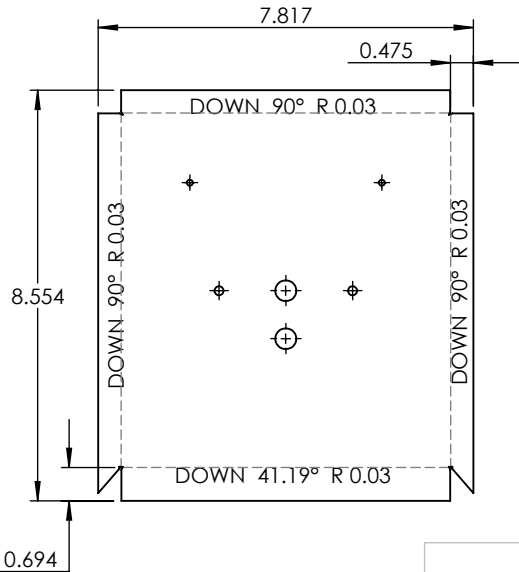
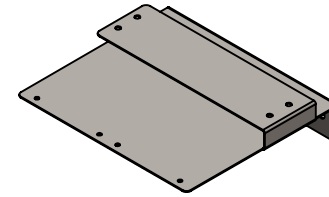
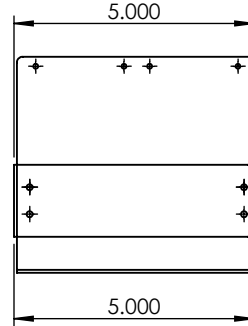
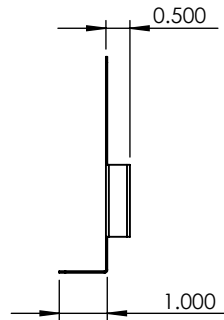
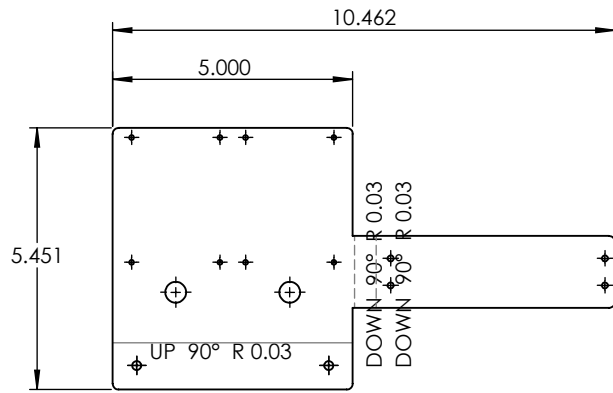






UNLESS OTHERWISE SPECIFIED:		NAME	DATE	22 GAUGE		
DIMENSIONS ARE IN INCHES		DRAWN		TITLE: TO-W-8-25W-TBR-CFA-UP-WET-30K		
TOLERANCES:		CHECKED				
FRACTIONAL ±		ENG APPR.				
ANGULAR: MACH ± BEND ±		MFG APPR.				
TWO PLACE DECIMAL ±		Q.A.		SIZE	DWG. NO.	REV
THREE PLACE DECIMAL ±		COMMENTS:		A		
INTERPRET GEOMETRIC TOLERANCING PER:				SCALE: 1:4	WEIGHT:	SHEET 3 OF 5
MATERIAL						
FINISH						
NEXT ASSY	USED ON					
APPLICATION		DO NOT SCALE DRAWING				

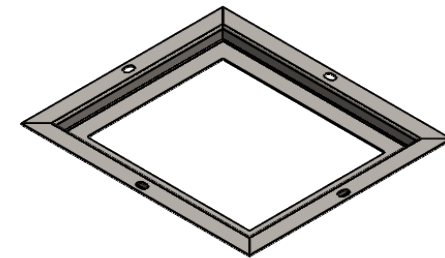
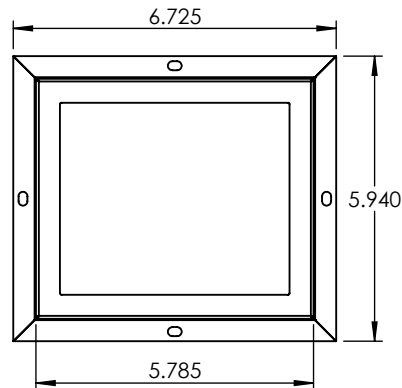
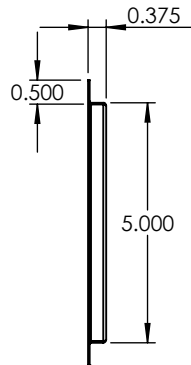
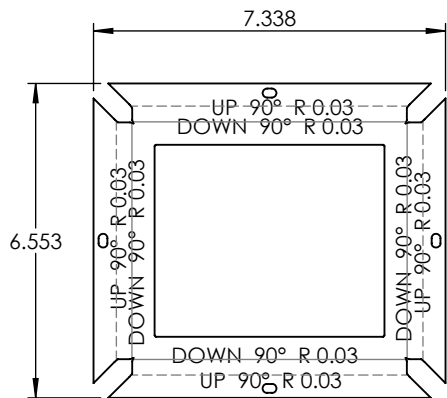
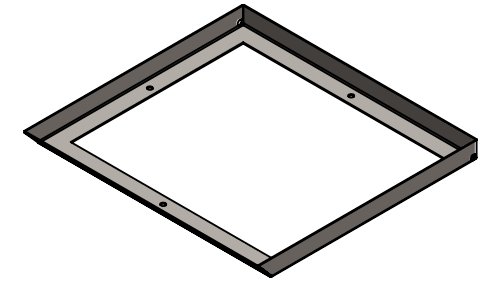
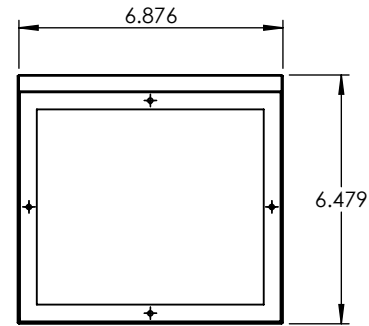
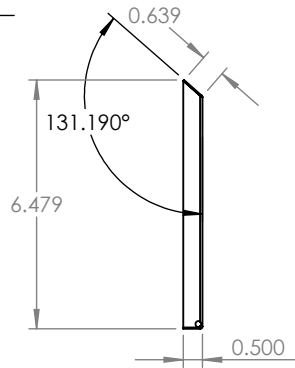
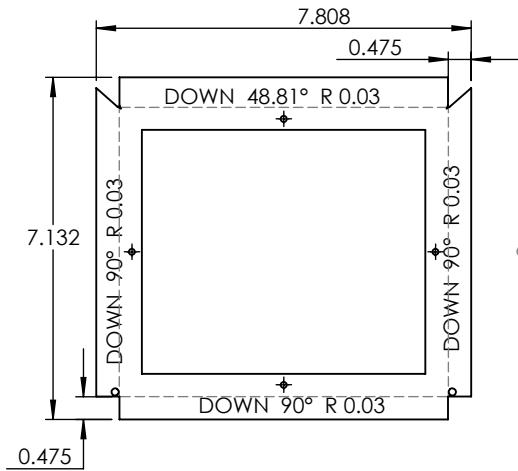
PROPRIETARY AND CONFIDENTIAL
 THE INFORMATION CONTAINED IN THIS DRAWING IS THE SOLE PROPERTY OF <INSERT COMPANY NAME HERE>. ANY REPRODUCTION IN PART OR AS A WHOLE WITHOUT THE WRITTEN PERMISSION OF <INSERT COMPANY NAME HERE> IS PROHIBITED.



PROPRIETARY AND CONFIDENTIAL
 THE INFORMATION CONTAINED IN THIS DRAWING IS THE SOLE PROPERTY OF <INSERT COMPANY NAME HERE>. ANY REPRODUCTION IN PART OR AS A WHOLE WITHOUT THE WRITTEN PERMISSION OF <INSERT COMPANY NAME HERE> IS PROHIBITED.

		UNLESS OTHERWISE SPECIFIED:	NAME	DATE
		DIMENSIONS ARE IN INCHES	DRAWN	
		TOLERANCES:	CHECKED	
		FRACTIONAL ±	ENG APPR.	
		ANGULAR: MACH ± BEND ±	MFG APPR.	
		TWO PLACE DECIMAL ±	Q.A.	
		THREE PLACE DECIMAL ±	COMMENTS:	
		INTERPRET GEOMETRIC TOLERANCING PER:		
		MATERIAL		
NEXT ASSY	USED ON	FINISH		
APPLICATION		DO NOT SCALE DRAWING		

22 GAUGE		
TITLE:		
TO-W-8-25W-TBR-CFA-UP-WET-30K		
SIZE	DWG. NO.	REV
A		
SCALE: 1:4	WEIGHT:	SHEET 4 OF 5



PROPRIETARY AND CONFIDENTIAL
 THE INFORMATION CONTAINED IN THIS DRAWING IS THE SOLE PROPERTY OF <INSERT COMPANY NAME HERE>. ANY REPRODUCTION IN PART OR AS A WHOLE WITHOUT THE WRITTEN PERMISSION OF <INSERT COMPANY NAME HERE> IS PROHIBITED.

		UNLESS OTHERWISE SPECIFIED:	NAME	DATE
		DIMENSIONS ARE IN INCHES	DRAWN	
		TOLERANCES:	CHECKED	
		FRACTIONAL ±	ENG APPR.	
		ANGULAR: MACH ± BEND ±	MFG APPR.	
		TWO PLACE DECIMAL ±	Q.A.	
		THREE PLACE DECIMAL ±	COMMENTS:	
		INTERPRET GEOMETRIC TOLERANCING PER:		
		MATERIAL		
NEXT ASSY	USED ON	FINISH		
APPLICATION		DO NOT SCALE DRAWING		

22 GAUGE		
TITLE:		
TO-W-8-25W-TBR-CFA-UP-WET-30K		
SIZE	DWG. NO.	REV
A		
SCALE: 1:4	WEIGHT:	SHEET 5 OF 5