



**EVERGREEN
LIGHTING**

**CEILING MOUNT
EX-14"-2G24Q3-MN-A-BH1"-NL**

SPECIFICATION FEATURES		Date 10-16-18
Dimensions	14" x 14" x 5 1/2"	
Lamps	See note:	
Material	Paintlok	
Finish	Metallic Nickel	
Lens	White Acrylic	
Label	Damp Location	
Voltage	Wiring, sockets, but no ballast	
Description	Ceiling	

PROJECT:

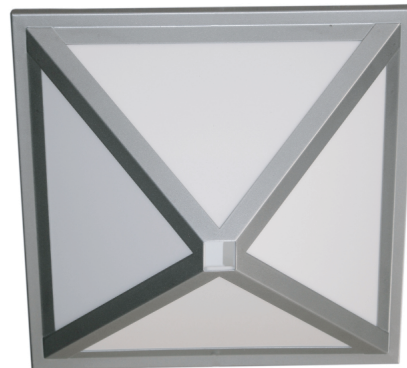
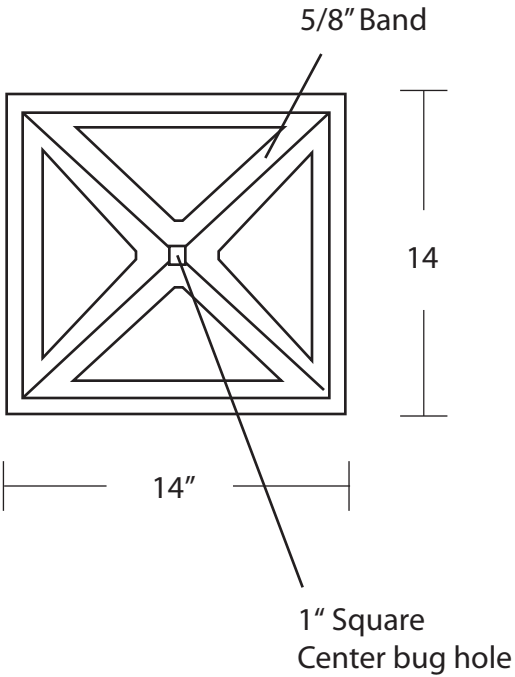
SPECIFIER:

5/8"

1/2" Horizontal flange

(2)G24Q3 4 Pin Horizontal CFL Sockets ONLY, no Ballast

Square fixture



EVERGREEN LIGHTING WWW.EVERGREENLIGHTING.COM
1379 Ridgeway St. Pomona, CA 91768 PHONE: (909) 865-5599 FAX: (909) 865-5539



MADE IN USA ● Information appearing hereon is proprietary and confidential and may not be used without the permission of Evergreen Lighting.

MADE IN USA