



**EVERGREEN
LIGHTING**

**WALL FLUSH MOUNT
CYL-PLT-W9-12W-MN-A-30K**

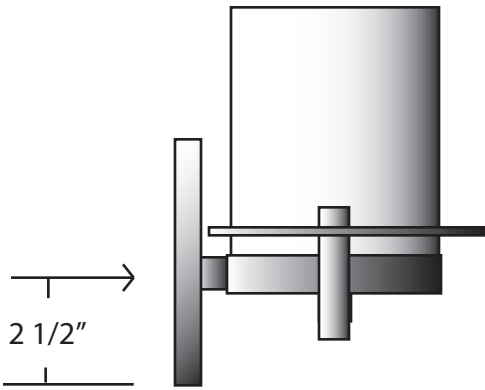
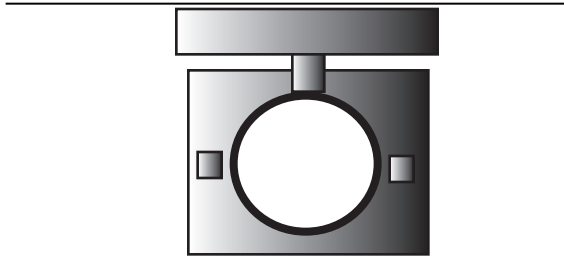
SPECIFICATION FEATURES		Date 11-17-21
Dimensions	9" H x 6 1/2" W x 6 1/2" D	
Lamps	12 watts LED - 3000K	
Material	Aluminum	
Finish	Metallic Nickel Powdercoat	
Lens	White Acrylic	
Label	Damp Location	
Voltage	120 / 277	
Description	Interior Wall Fixture	

PROJECT:

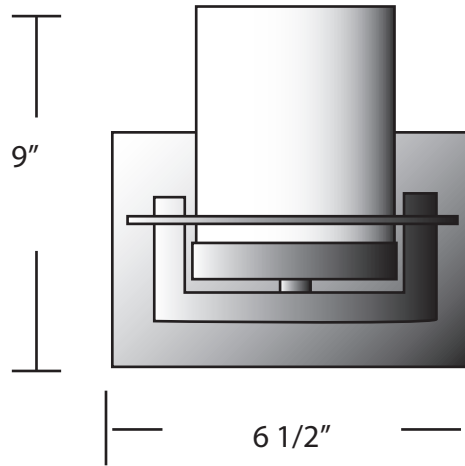
SPECIFIER:

White acrylic cylinder lens 4" diameter with top lens cap

Top View



Wall / Back plate is 6 1/2" W x 5" H
Mounting hole is dead center



Drawings are not to scale.

EVERGREEN LIGHTING WWW.EVERGREENLIGHTING.COM
1379 Ridgeway St. Pomona, CA 91768 PHONE: (909) 865-5599 FAX: (909) 865-5539



MADE IN USA ● Information appearing hereon is proprietary and confidential and may not be used without the permission of Evergreen Lighting.

MADE IN USA