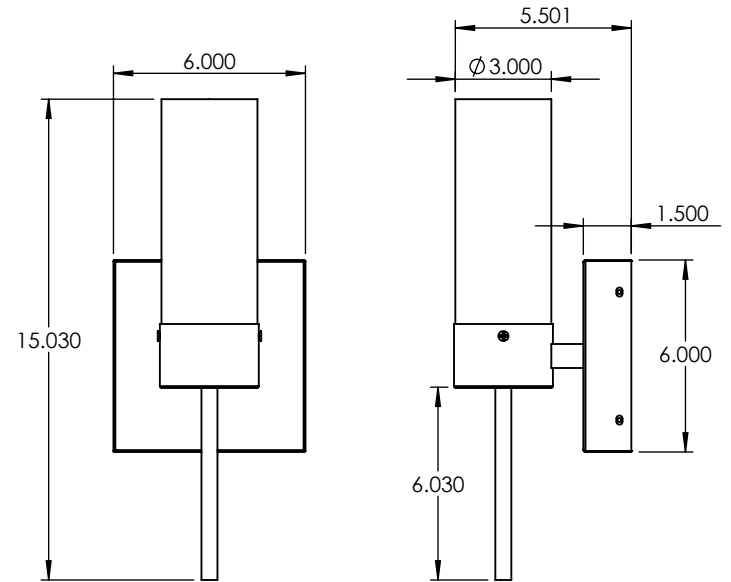
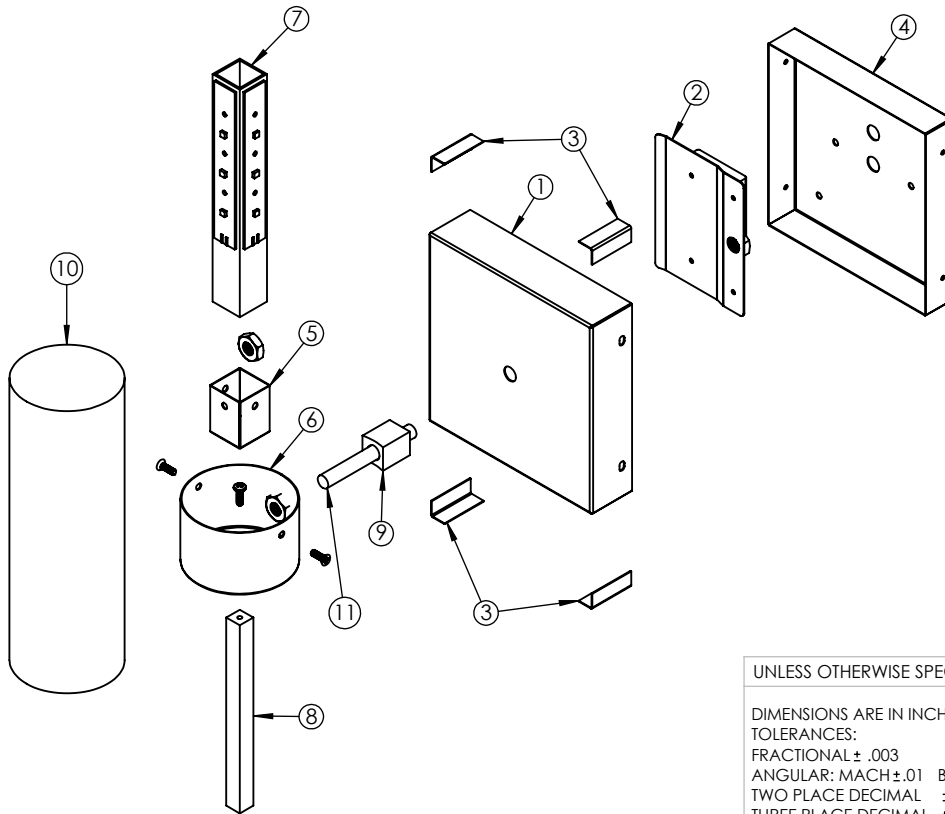
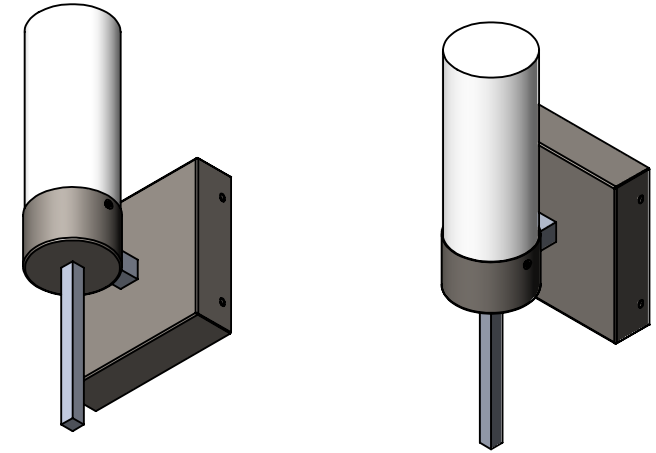


ITEM NO.	PART NUMBER	DESCRIPTION	QTY.	CUT
1	CYL-SGLSQBR-W15-12W-MN-A-30K-BACKPLATE	22 GAUGE	1	
2	CYL-SGLSQBR-W15-12W-MN-A-30K-DRIVER BRACKET	22 GAUGE	1	
3	CYL-SGLSQBR-W15-12W-MN-A-30K-BACKPLATE TAB	22 GAUGE	4	
4	CYL-SGLSQBR-W15-12W-MN-A-30K-FIREPLATE	22 GAUGE	1	
5	CYL-SGLSQBR-W15-12W-MN-A-30K-TUBE BRACKET	22 GAUGE	1	
6	CYL-SGLSQBR-W15-12W-MN-A-30K-SPUN TOP CAP	SPUN 22 GAUGE	1	
7	CYL-SGLSQBR-W15-12W-MN-A-30K-SQUARE TUBE	1" SQUARE ALUMINUM TUBE	1	
8	CYL-SGLSQBR-W15-12W-MN-A-30K-VERTICAL BAR	1/2" SQUARE ALUMINUM BAR	1	
9	CYL-SGLSQBR-W15-12W-MN-A-30K-NECK BAR	3/4" SQUARE ALUMINUM BAR	1	
10	CYL-SGLSQBR-W15-12W-MN-A-30K-ACRYLIC TUBE	ACRYLIC	1	
11	CYL-SGLSQBR-W15-12W-MN-A-30K-NIPPLE	NIPPLE	1	
12	Espen VEL19070MVH-1	DRIVER	1	
13	AlfaILED_PN1012_RevE	LED	4	



UNLESS OTHERWISE SPECIFIED:		NAME	DATE	TITLE:	
DIMENSIONS ARE IN INCHES		DRAWN		CYL-SGLSQBR-W15-12W-MN-A-30K	
TOLERANCES:		CHECKED			
FRACTIONAL ± .003		ENG APPR.			
ANGULAR: MACH ± .01 BEND ±		MFG APPR.			
TWO PLACE DECIMAL ±		Q.A.		SIZE DWG. NO. REV	
THREE PLACE DECIMAL ±.001		COMMENTS:		A TICKET 25233	
INTERPRET GEOMETRIC TOLERANCING PER:				SCALE: 1:6	WEIGHT:
MATERIAL				SHEET 1 OF 6	
FINISH					



ALL BEND RADIUS .030"

APPLICATION

DO NOT SCALE DRAWING

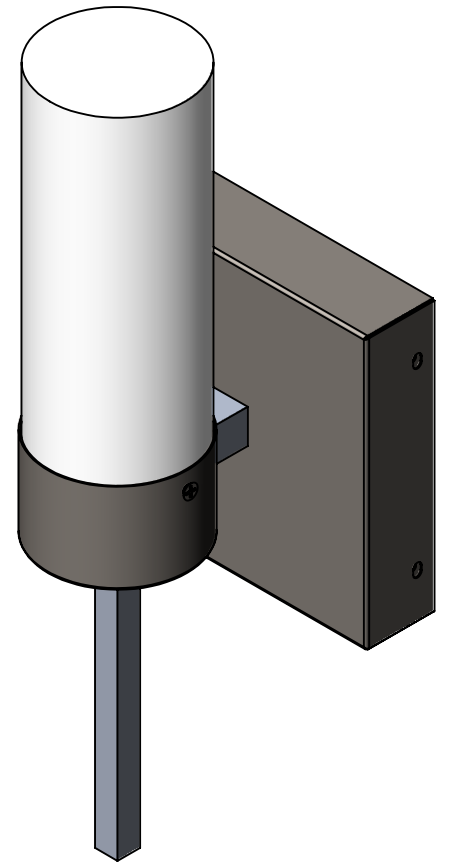
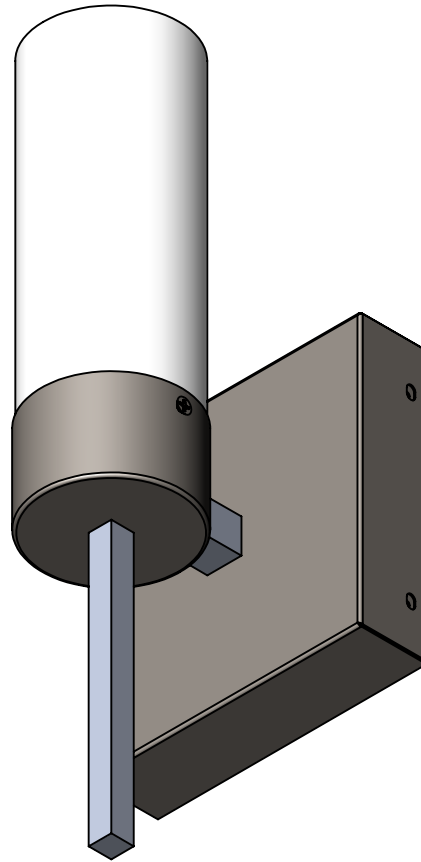
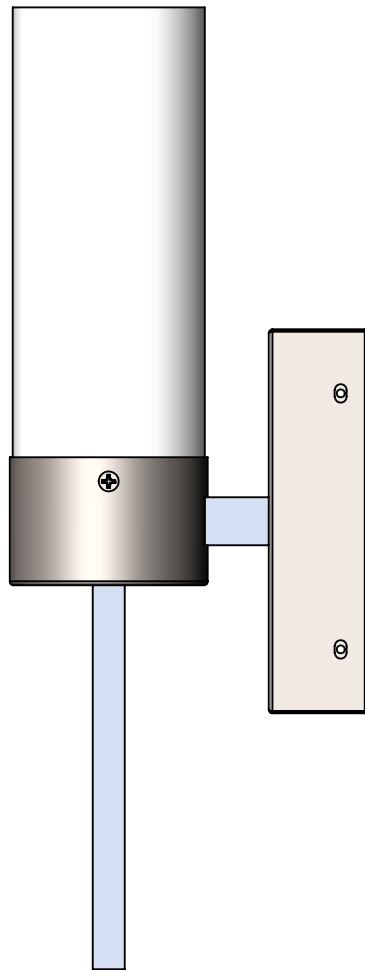
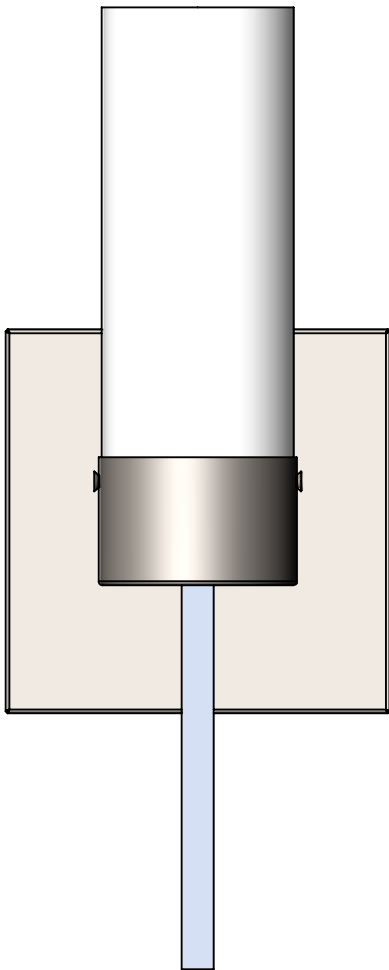
5

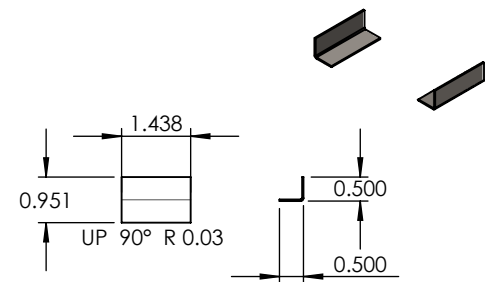
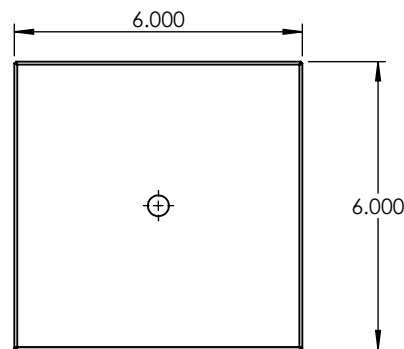
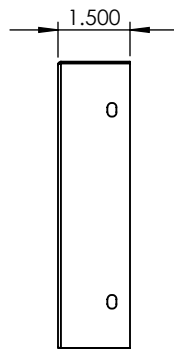
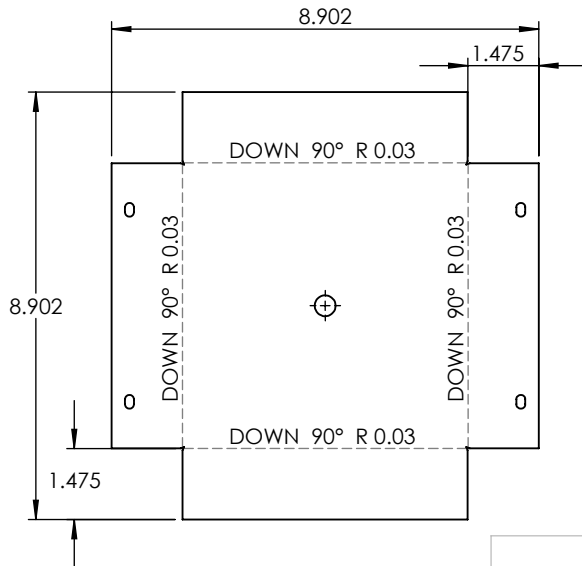
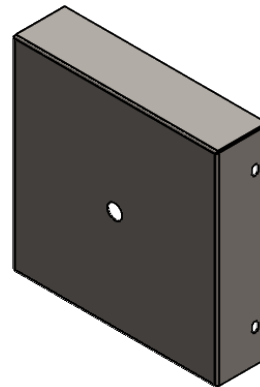
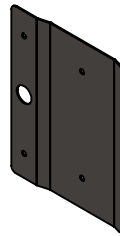
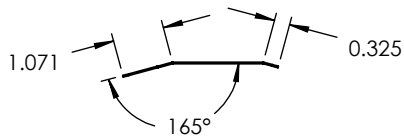
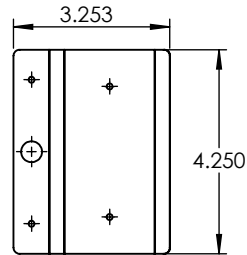
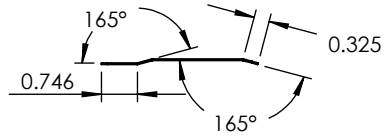
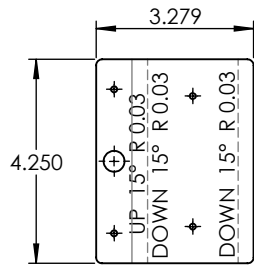
4

3

2

1

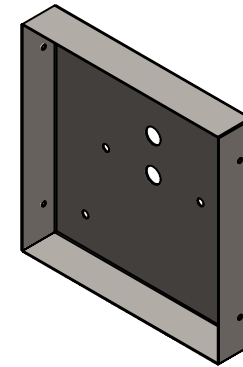
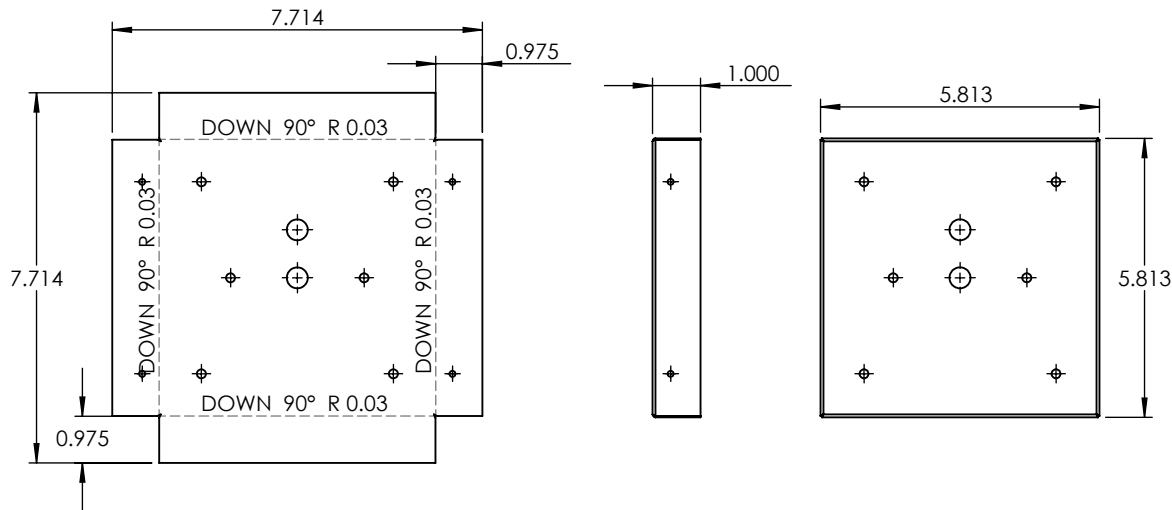




PROPRIETARY AND CONFIDENTIAL
 THE INFORMATION CONTAINED IN THIS DRAWING IS THE SOLE PROPERTY OF <INSERT COMPANY NAME HERE>. ANY REPRODUCTION IN PART OR AS A WHOLE WITHOUT THE WRITTEN PERMISSION OF <INSERT COMPANY NAME HERE> IS PROHIBITED.

		UNLESS OTHERWISE SPECIFIED:	NAME	DATE
		DIMENSIONS ARE IN INCHES TOLERANCES: FRACTIONAL ± ANGULAR: MACH ± BEND ± TWO PLACE DECIMAL ± THREE PLACE DECIMAL ±	DRAWN	
		INTERPRET GEOMETRIC TOLERANCING PER:	CHECKED	
		MATERIAL	ENG APPR.	
		FINISH	MFG APPR.	
NEXT ASSY	USED ON		Q.A.	
APPLICATION		DO NOT SCALE DRAWING	COMMENTS:	

22 GAUGE		
TITLE: CYL-SGLSQBR-W15-12W-MN-A-30K		
SIZE A	DWG. NO.	REV
SCALE: 1:4	WEIGHT:	SHEET 3 OF 6



PROPRIETARY AND CONFIDENTIAL
 THE INFORMATION CONTAINED IN THIS DRAWING IS THE SOLE PROPERTY OF <INSERT COMPANY NAME HERE>. ANY REPRODUCTION IN PART OR AS A WHOLE WITHOUT THE WRITTEN PERMISSION OF <INSERT COMPANY NAME HERE> IS PROHIBITED.

		UNLESS OTHERWISE SPECIFIED:		NAME	DATE	22 GAUGE	
		DIMENSIONS ARE IN INCHES TOLERANCES: FRACTIONAL ± ANGULAR: MACH ± BEND ± TWO PLACE DECIMAL ± THREE PLACE DECIMAL ±	DRAWN				
		INTERPRET GEOMETRIC TOLERANCING PER:				CYL-SGLSQBR-W15-12W-MN-A-30K	
		MATERIAL		ENG APPR.		SIZE DWG. NO. REV	
	NEXT ASSY	USED ON		MFG APPR.		A	
		FINISH		Q.A.		SCALE: 1:4 WEIGHT: SHEET 4 OF 6	
	APPLICATION	DO NOT SCALE DRAWING		COMMENTS:			

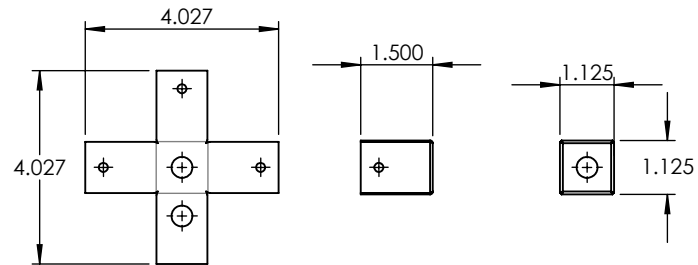
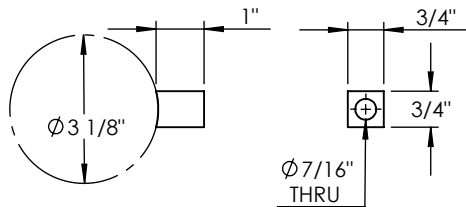
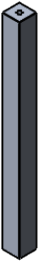
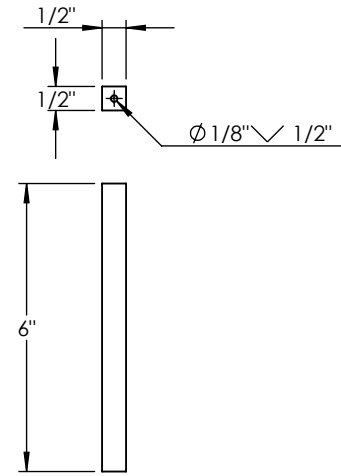
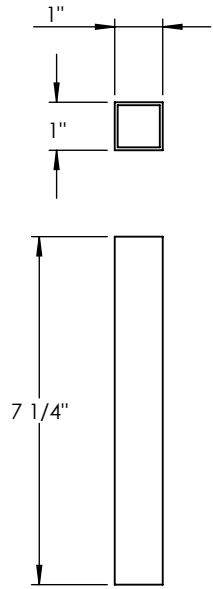
5

4

3

2

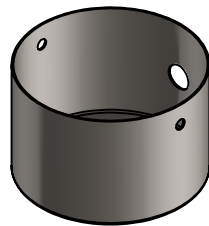
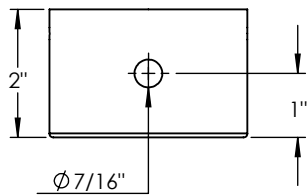
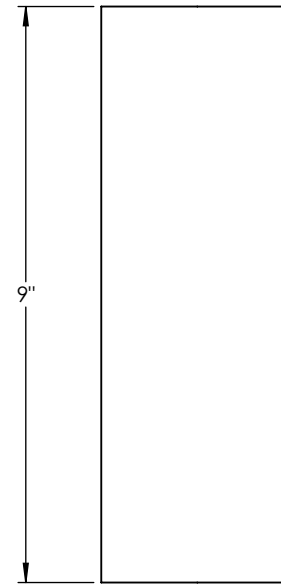
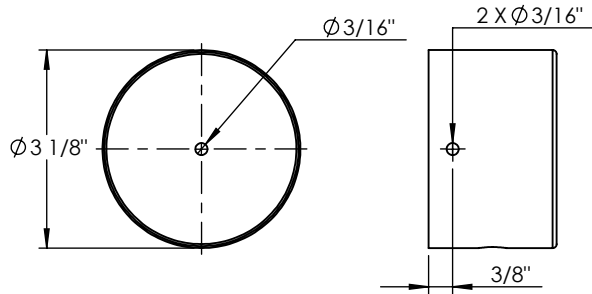
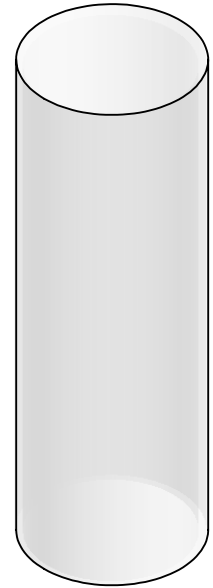
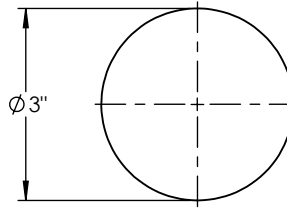
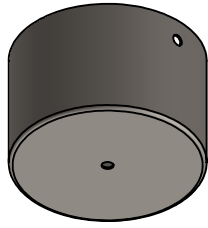
1



PROPRIETARY AND CONFIDENTIAL
 THE INFORMATION CONTAINED IN THIS DRAWING IS THE SOLE PROPERTY OF <INSERT COMPANY NAME HERE>. ANY REPRODUCTION IN PART OR AS A WHOLE WITHOUT THE WRITTEN PERMISSION OF <INSERT COMPANY NAME HERE> IS PROHIBITED.

		UNLESS OTHERWISE SPECIFIED:		NAME	DATE	TITLE: CYL-SGLSQBR-W15-12W-MN-A-30K
		DIMENSIONS ARE IN INCHES TOLERANCES: FRACTIONAL ± ANGULAR: MACH ± BEND ± TWO PLACE DECIMAL ± THREE PLACE DECIMAL ±	DRAWN			
		INTERPRET GEOMETRIC TOLERANCING PER:	CHECKED			SIZE A DWG. NO. REV
		MATERIAL	ENG APPR.			
NEXT ASSY	USED ON	FINISH	MFG APPR.			SCALE: 1:4 WEIGHT: SHEET 5 OF 6
APPLICATION		DO NOT SCALE DRAWING	Q.A.			
			COMMENTS:			

ITEM NO.	PART NUMBER	DESCRIPTION	QTY.
1	CYL-SGLSQBR-W15-12W-MN-A-30K-SPUN TOP CAP	SPUN 22 GAUGE	1



PROPRIETARY AND CONFIDENTIAL
 THE INFORMATION CONTAINED IN THIS DRAWING IS THE SOLE PROPERTY OF <INSERT COMPANY NAME HERE>. ANY REPRODUCTION IN PART OR AS A WHOLE WITHOUT THE WRITTEN PERMISSION OF <INSERT COMPANY NAME HERE> IS PROHIBITED.

		UNLESS OTHERWISE SPECIFIED:	NAME	DATE	SPUN 22 GAUGE	
		DIMENSIONS ARE IN INCHES TOLERANCES: FRACTIONAL ± ANGULAR: MACH ± BEND ± TWO PLACE DECIMAL ± THREE PLACE DECIMAL ±	DRAWN			
		INTERPRET GEOMETRIC TOLERANCING PER:	CHECKED		CYL-SGLSQBR-W15-12W-MN-A-30K	
		MATERIAL	ENG APPR.			
		FINISH	MFG APPR.		SIZE	DWG. NO.
NEXT ASSY	USED ON		Q.A.		A	REV
APPLICATION		DO NOT SCALE DRAWING	COMMENTS:		SCALE: 1:3	WEIGHT:
					SHEET 6 OF 6	