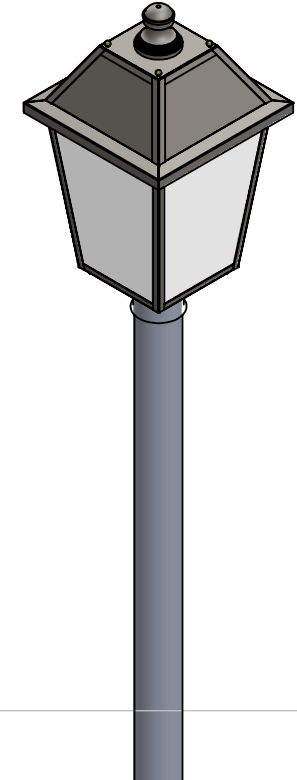
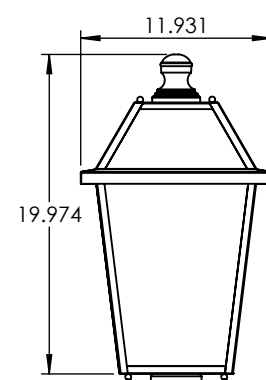


ITEM NO.	PART NUMBER	DESCRIPTION	QTY.	CUT
1	MAD-STR-PST-60W-TMG-WF-10AB3X442-RD-30K-SPUN ACCENT	SPUN 22 GAUGE	1	
2	MAD-STR-PST-60W-TMG-WF-10AB3X442-RD-30K-TOP CAP	22 GAUGE	1	
3	MAD-STR-PST-60W-TMG-WF-10AB3X442-RD-30K-TOP FRAME TAB	22 GAUGE	4	
4	MAD-STR-PST-60W-TMG-WF-10AB3X442-RD-30K-TOP FRAME SKIRT	22 GAUGE	4	
5	MAD-STR-PST-60W-TMG-WF-10AB3X442-RD-30K-BOTTOM BRACKET	22 GAUGE	4	
6	MAD-STR-PST-60W-TMG-WF-10AB3X442-RD-30K-BOTTOM FRAME TABS	22 GAUGE	4	
7	MAD-STR-PST-60W-TMG-WF-10AB3X442-RD-30K-BOTTOM CAP	22 GAUGE	1	
8	MAD-STR-PST-60W-TMG-WF-10AB3X442-RD-30K-TUBE BRACKET	22 GAUGE	1	
9	MAD-STR-PST-60W-TMG-WF-10AB3X442-RD-30K-REFLECTOR PLATE	22 GAUGE	1	
10	MAD-STR-PST-60W-TMG-WF-10AB3X442-RD-30K-REFLECTOR BRACKET	22 GAUGE	1	
11	MAD-STR-PST-60W-TMG-WF-10AB3X442-RD-30K-BACKPLATE TABS	22 GAUGE	4	
12	MAD-STR-PST-60W-TMG-WF-10AB3X442-RD-30K-TOP CAP COVER	22 GAUGE	1	
13	MAD-STR-PST-60W-TMG-WF-10AB3X442-RD-30K-SUPPORT PLATE	18 GAUGE	1	
14	MAD-STR-PST-60W-TMG-WF-10AB3X442-RD-30K-LED TUBE	1" SQUARE ALUMINUM TUBE	1	
15	POST FITTER	3" STEEL POST FITTER	1	
16	MAD-STR-PST-60W-TMG-WF-10AB3X442-RD-30K-NIPPLE	NIPPLE	1	
17	MAD-STR-PST-60W-TMG-WF-10AB3X442-RD-30K-FRONT ACRYLIC	ACRYLIC	4	
18	MAD-STR-PST-60W-TMG-WF-10AB3X442-RD-30K-3" CYLINDER POST	3" ALUMINUM TUBE	1	
19	MAD-STR-PST-60W-TMG-WF-10AB3X442-RD-30K-CAST BASE	CAST ALUMINUM	1	
20	.375 BRASS BALL	BRASS BALL	8	
21	ESPEN VEL29070MVH-1	DRIVER	2	
22	AltGLED_PN1004RevD	LED	8	



ALL BEND RADIUS .030"

UNLESS OTHERWISE SPECIFIED:	NAME	DATE
DIMENSIONS ARE IN INCHES	DRAWN	
TOLERANCES:	CHECKED	
FRACTIONAL ± .003	ENG APPR.	
ANGULAR: MACH ± .01 BEND ±	MFG APPR.	
TWO PLACE DECIMAL ±	Q.A.	
THREE PLACE DECIMAL ±.001	COMMENTS:	
INTERPRET GEOMETRIC TOLERANCING PER:		
MATERIAL		
FINISH		

TITLE: MAD-STR-PST-60W-TMG-WF-10AB3X442-RD

SIZE	DWG. NO.	REV
A	TICKET 25274	
SCALE: 1:12	WEIGHT:	SHEET 1 OF 12

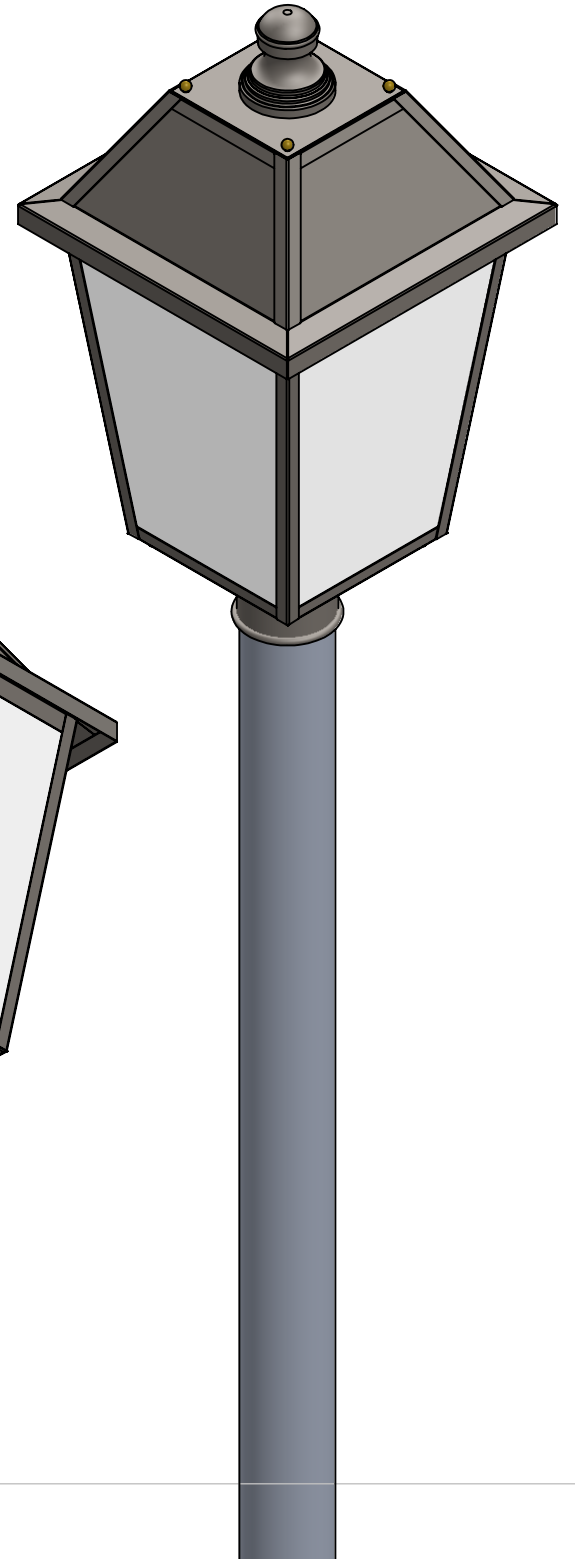
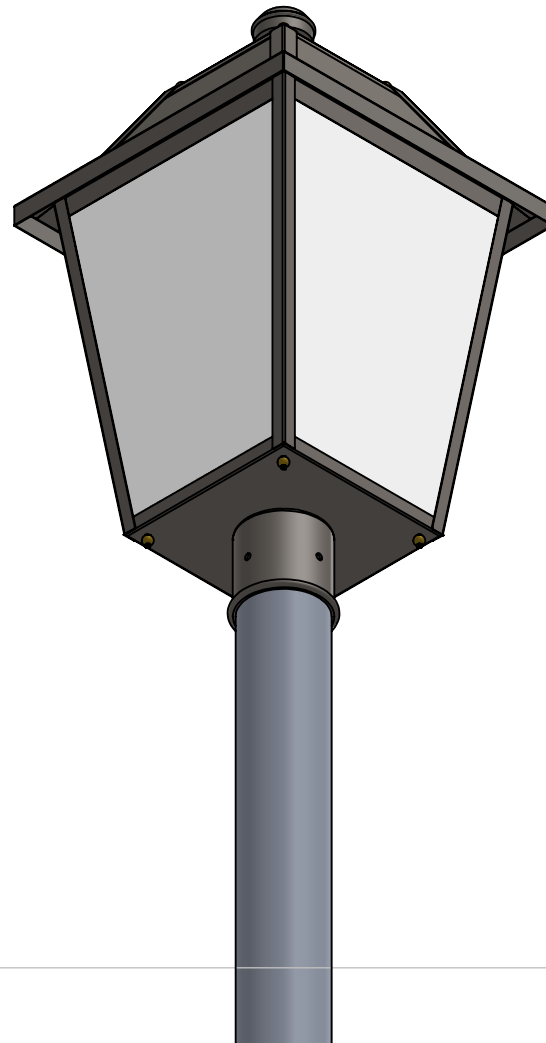
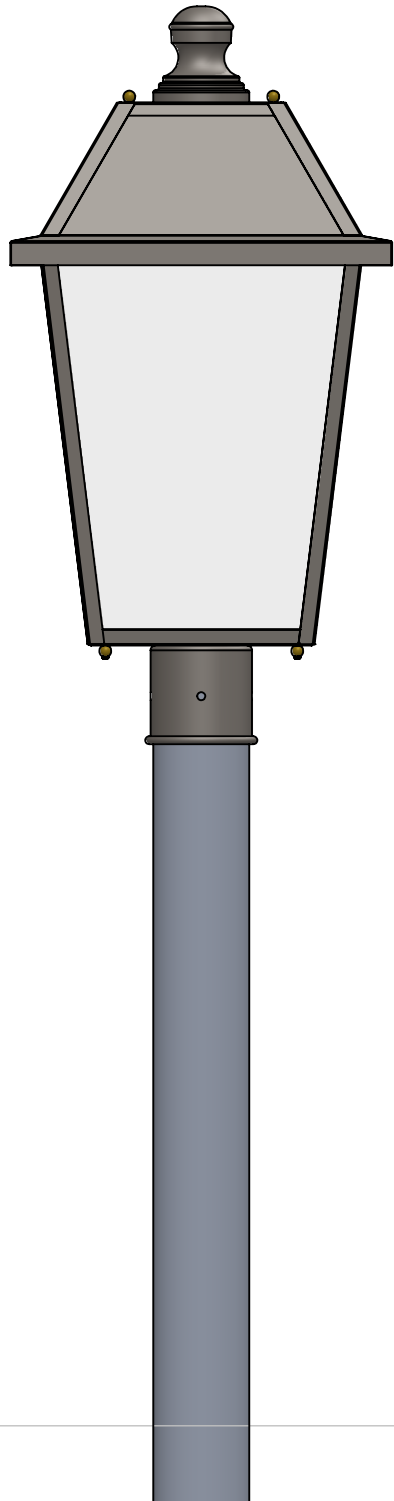
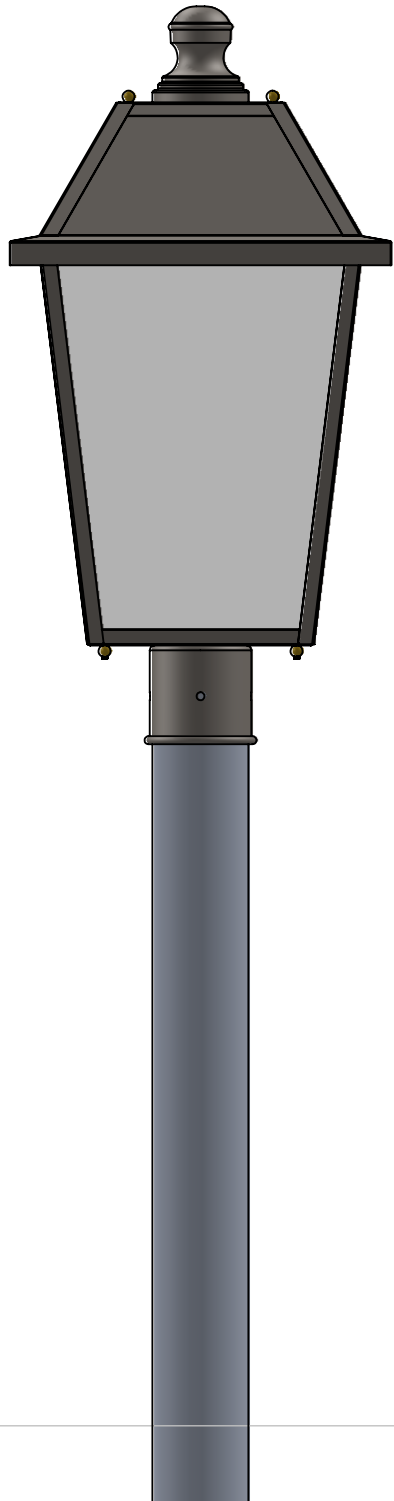
5

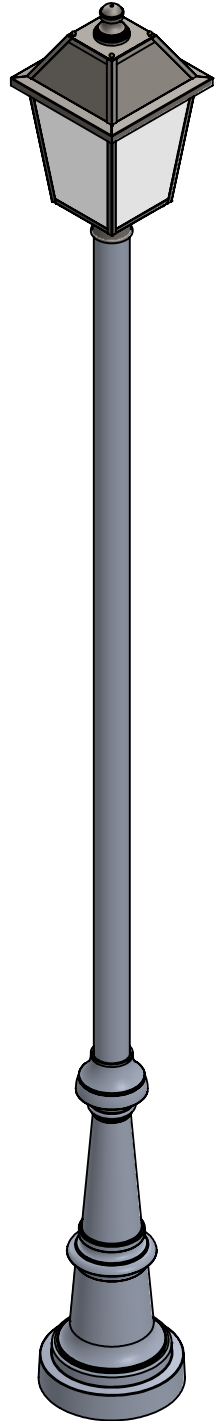
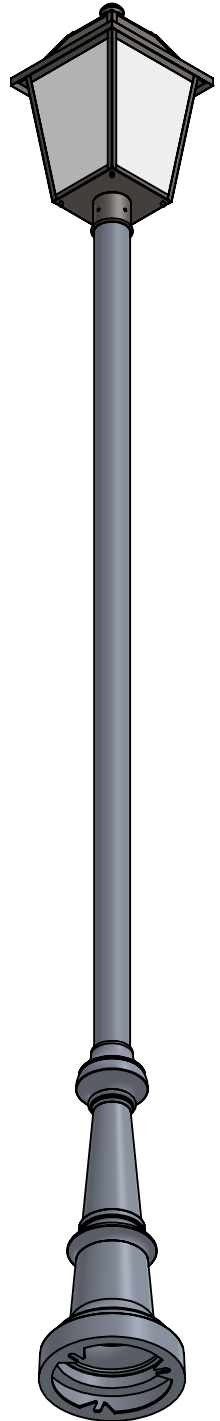
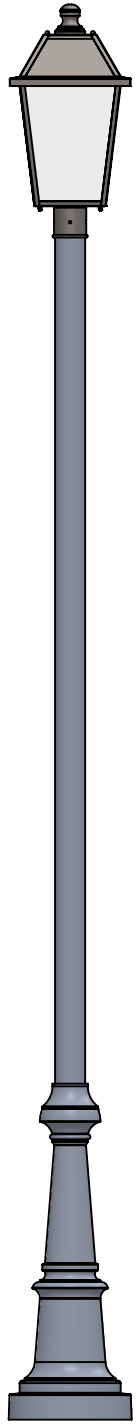
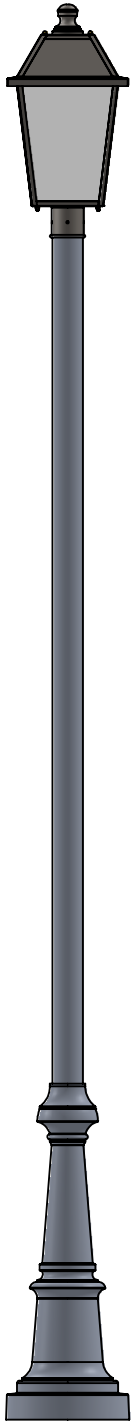
4

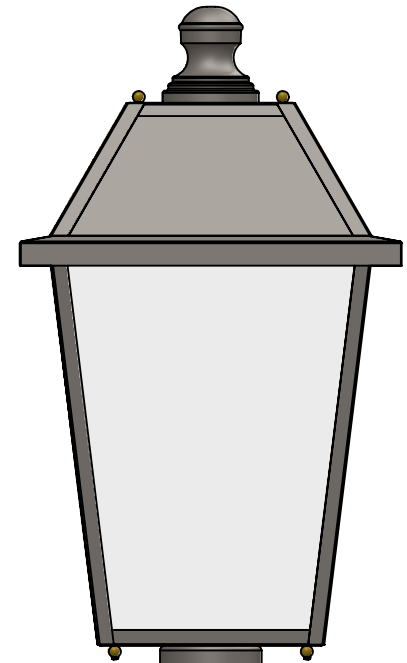
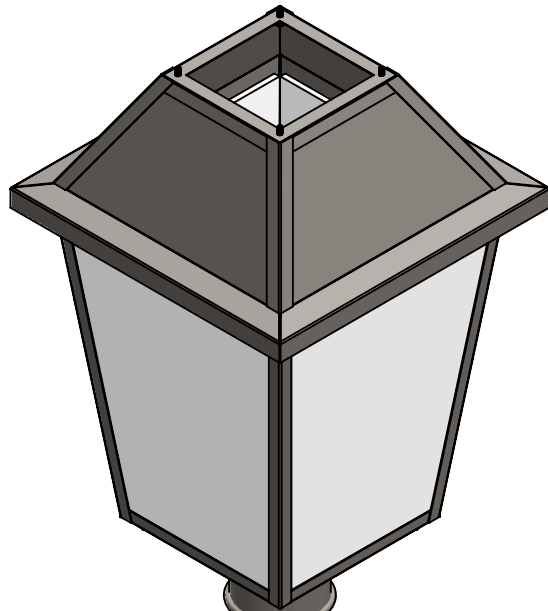
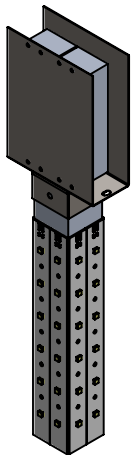
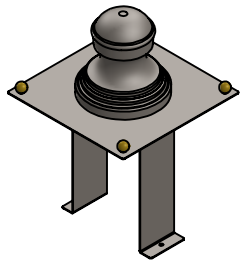
3

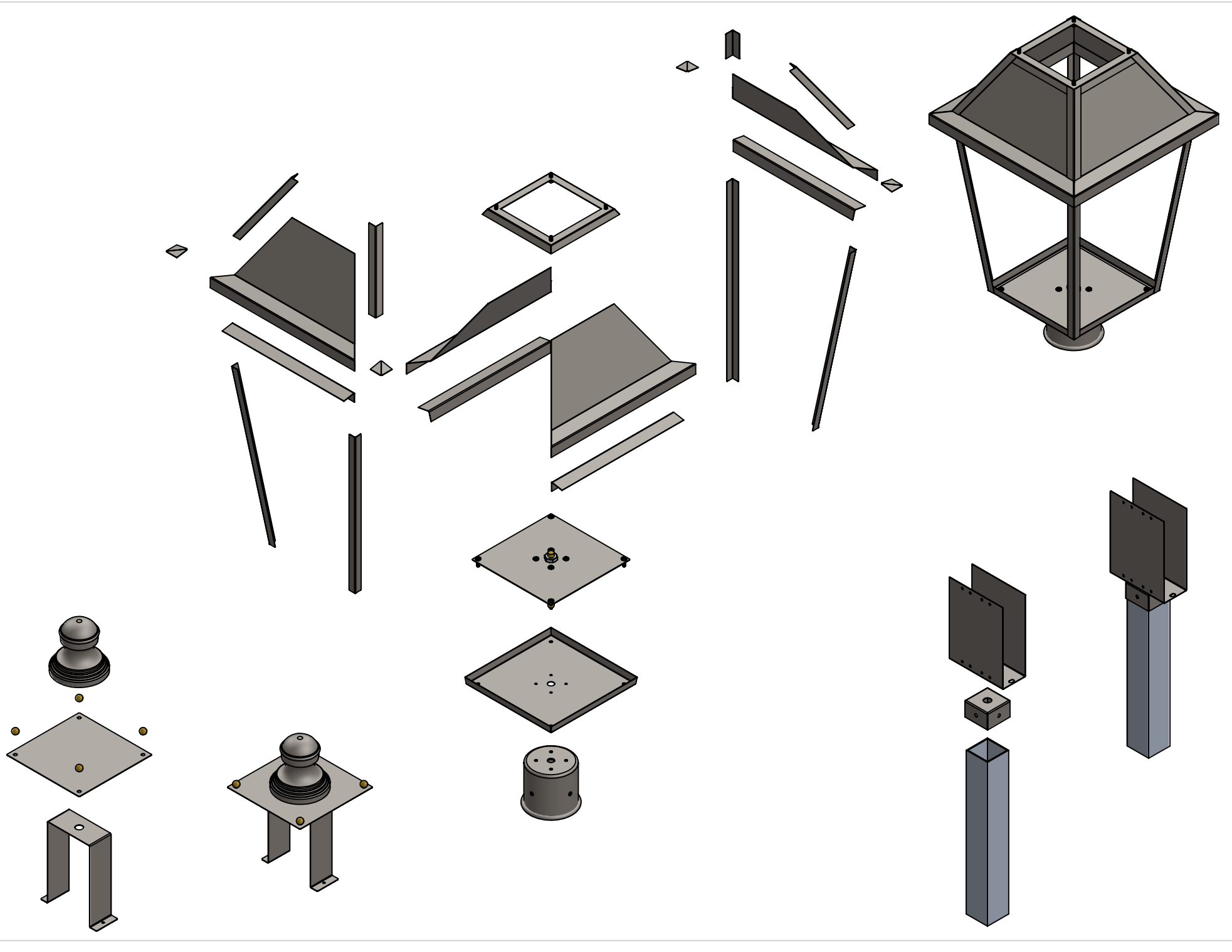
2

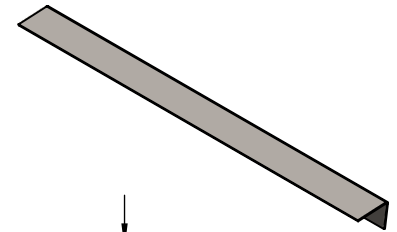
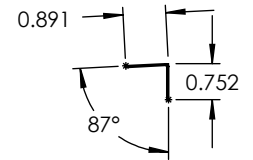
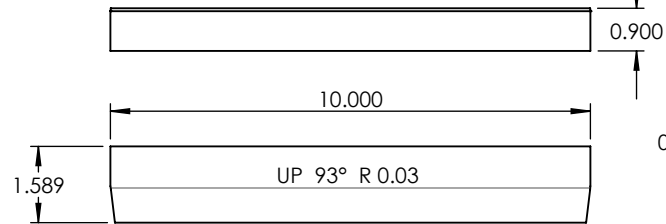
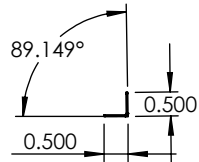
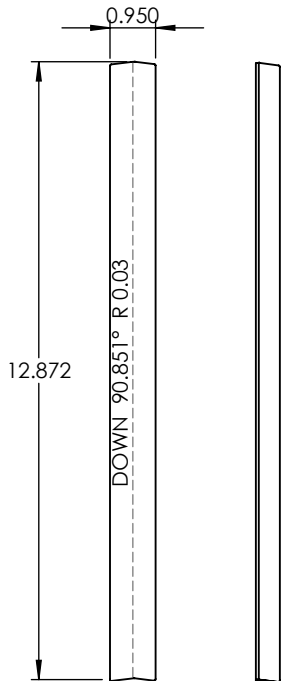
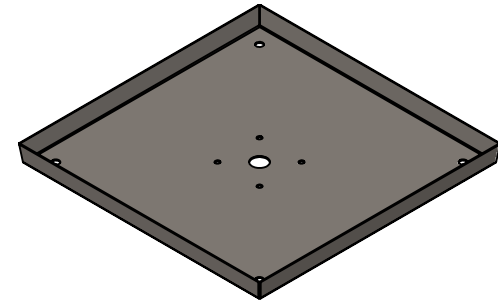
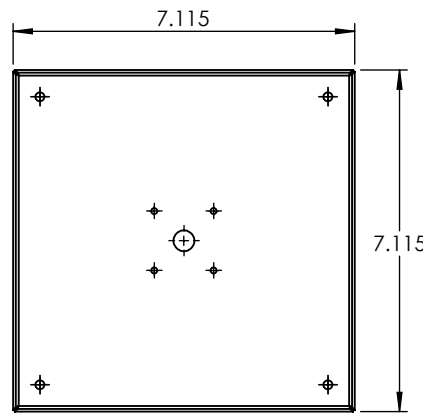
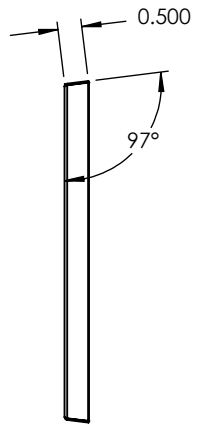
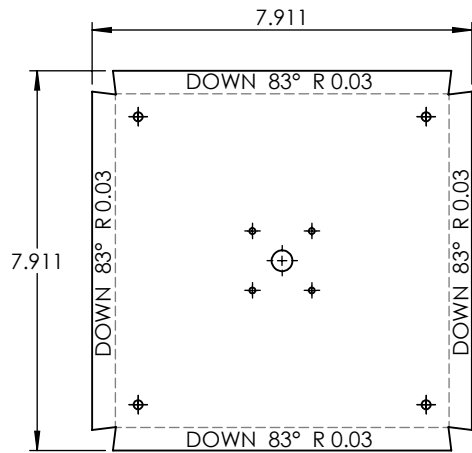
1











PROPRIETARY AND CONFIDENTIAL
 THE INFORMATION CONTAINED IN THIS DRAWING IS THE SOLE PROPERTY OF <INSERT COMPANY NAME HERE>. ANY REPRODUCTION IN PART OR AS A WHOLE WITHOUT THE WRITTEN PERMISSION OF <INSERT COMPANY NAME HERE> IS PROHIBITED.

		UNLESS OTHERWISE SPECIFIED:	NAME	DATE	22 GAUGE	
		DIMENSIONS ARE IN INCHES TOLERANCES: FRACTIONAL ± ANGULAR: MACH ± BEND ± TWO PLACE DECIMAL ± THREE PLACE DECIMAL ±	DRAWN			
		INTERPRET GEOMETRIC TOLERANCING PER:	CHECKED		MAD-STR-PST-60W-TMG-WF-10AB3X442-RD-30	
		MATERIAL	ENG APPR.			
		FINISH	MFG APPR.		Q.A.	
NEXT ASSY	USED ON		COMMENTS:		SIZE	DWG. NO.
APPLICATION		DO NOT SCALE DRAWING			A	
					SCALE: 1:4	WEIGHT:
					SHEET 6 OF 12	

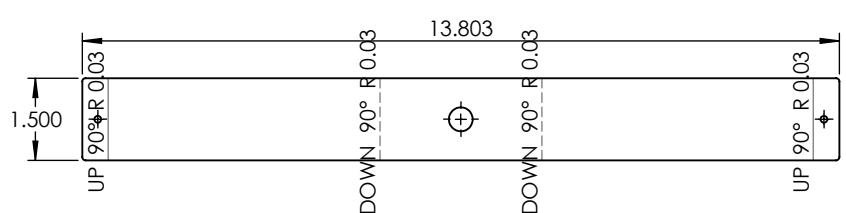
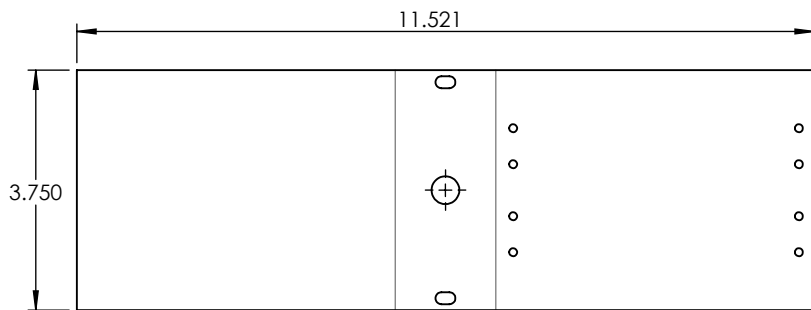
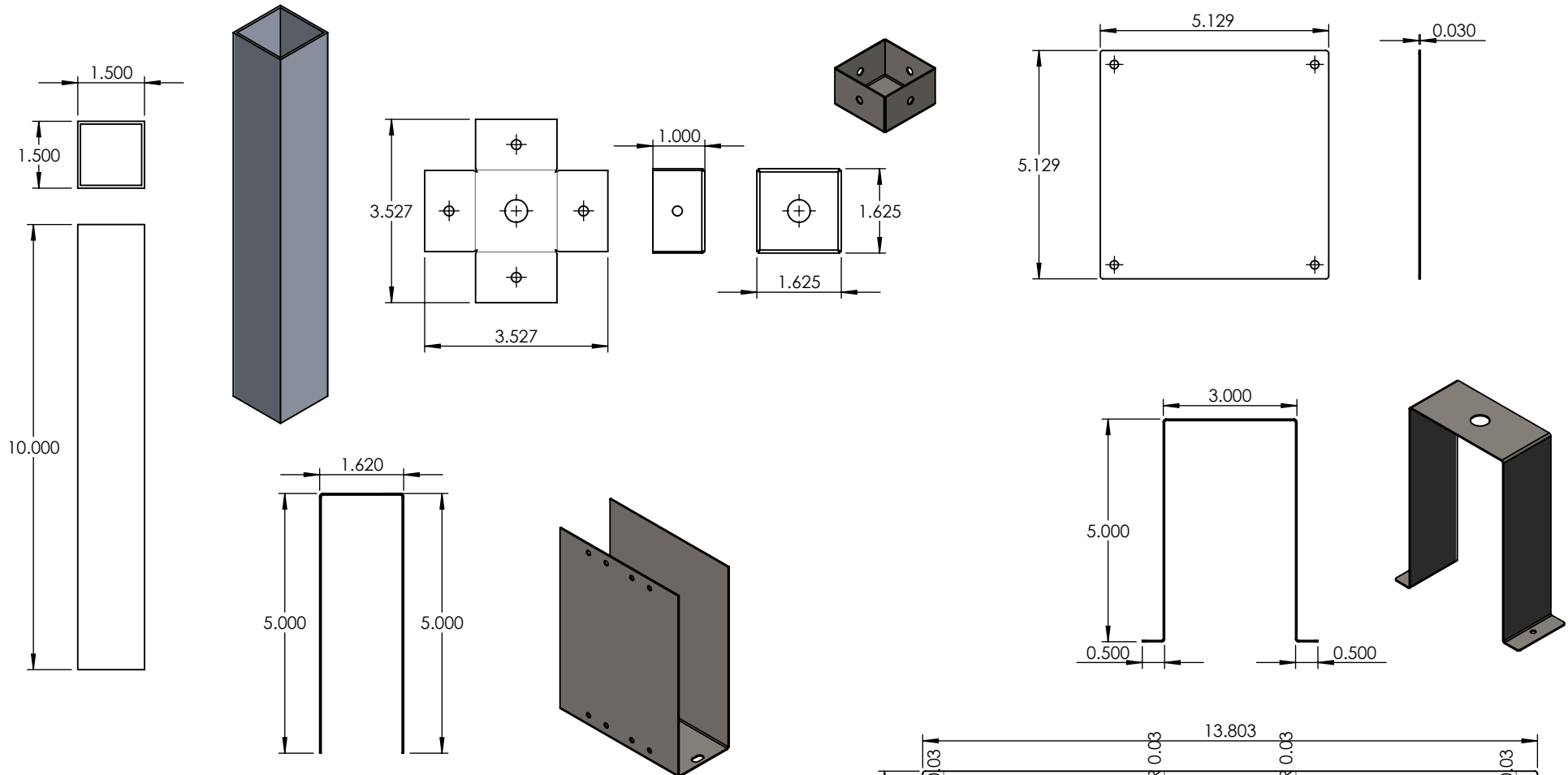
5

4

3

2

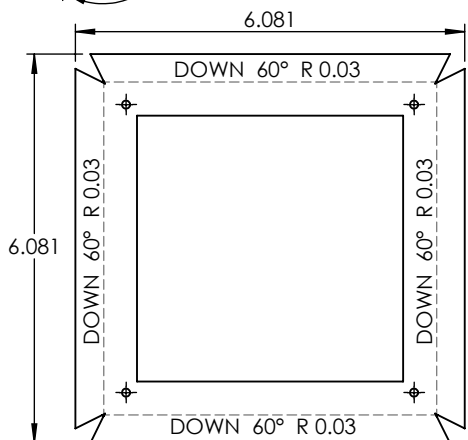
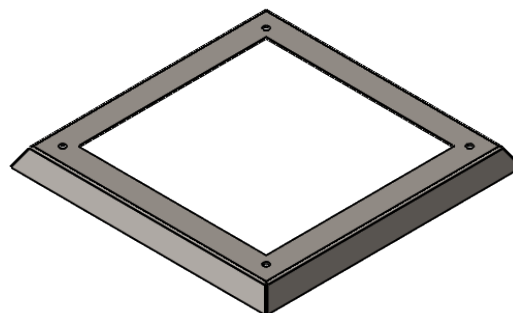
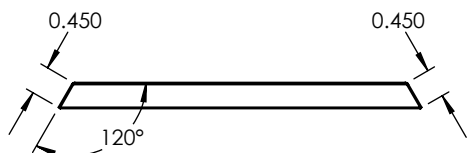
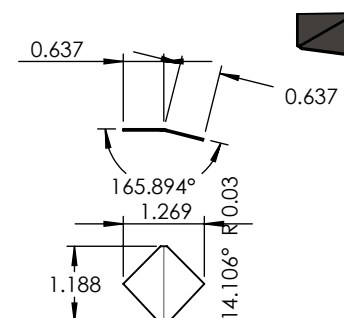
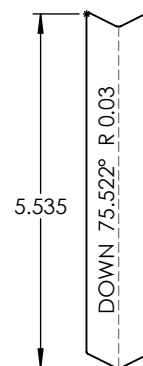
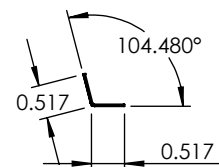
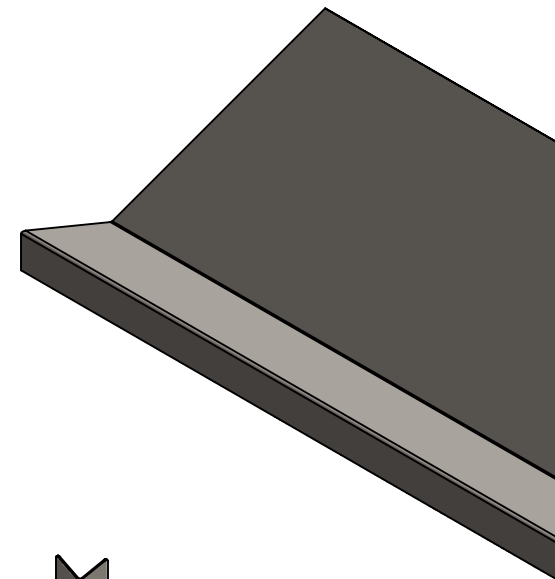
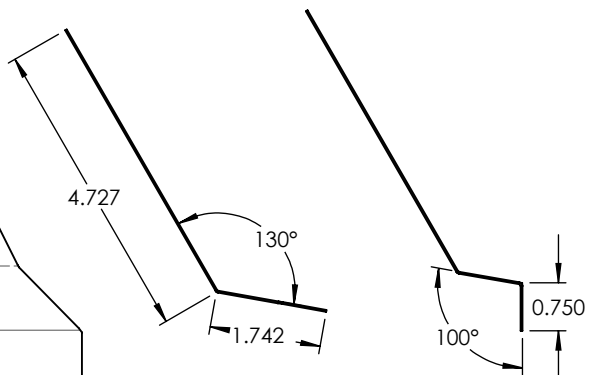
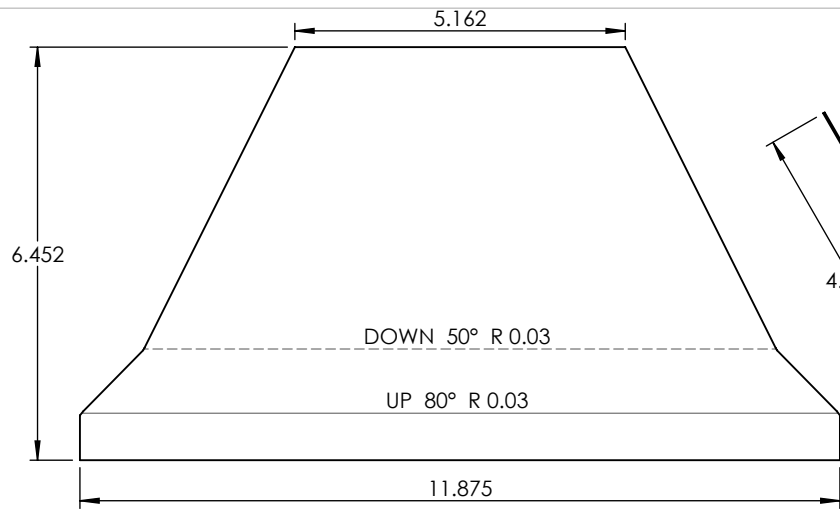
1



UNLESS OTHERWISE SPECIFIED:		NAME	DATE
DIMENSIONS ARE IN INCHES		DRAWN	
TOLERANCES:		CHECKED	
FRACTIONAL ±		ENG APPR.	
ANGULAR: MACH ± BEND ±		MFG APPR.	
TWO PLACE DECIMAL ±		Q.A.	
THREE PLACE DECIMAL ±		COMMENTS:	
INTERPRET GEOMETRIC TOLERANCING PER:			
MATERIAL			
FINISH			
NEXT ASSY	USED ON		
APPLICATION			
DO NOT SCALE DRAWING			

1" SQUARE ALUMINUM TUBE		
TITLE:		
MAD-STR-PST-60W-TMG-WF-10AB3X442-RD-30		
SIZE	DWG. NO.	REV
A		
SCALE: 1:3.5WEIGHT:		SHEET 7 OF 12

PROPRIETARY AND CONFIDENTIAL
 THE INFORMATION CONTAINED IN THIS DRAWING IS THE SOLE PROPERTY OF <INSERT COMPANY NAME HERE>. ANY REPRODUCTION IN PART OR AS A WHOLE WITHOUT THE WRITTEN PERMISSION OF <INSERT COMPANY NAME HERE> IS PROHIBITED.



PROPRIETARY AND CONFIDENTIAL
 THE INFORMATION CONTAINED IN THIS DRAWING IS THE SOLE PROPERTY OF <INSERT COMPANY NAME HERE>. ANY REPRODUCTION IN PART OR AS A WHOLE WITHOUT THE WRITTEN PERMISSION OF <INSERT COMPANY NAME HERE> IS PROHIBITED.

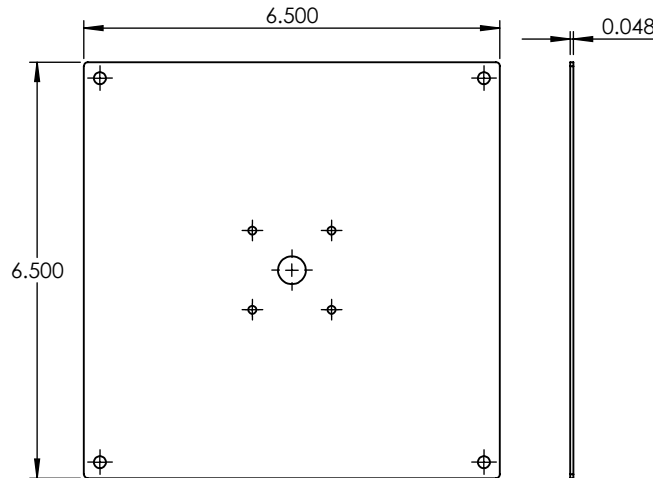
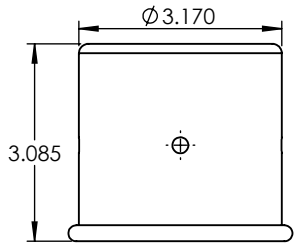
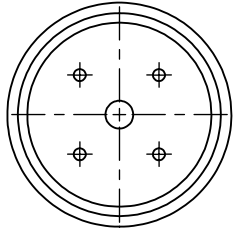
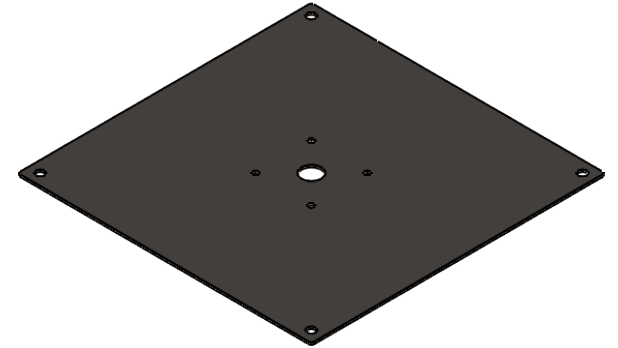
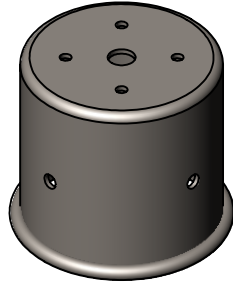
		UNLESS OTHERWISE SPECIFIED:	NAME	DATE
		DIMENSIONS ARE IN INCHES	DRAWN	
		TOLERANCES:	CHECKED	
		FRACTIONAL ±	ENG APPR.	
		ANGULAR: MACH ± BEND ±	MFG APPR.	
		TWO PLACE DECIMAL ±	Q.A.	
		THREE PLACE DECIMAL ±	COMMENTS:	
		INTERPRET GEOMETRIC TOLERANCING PER:		
		MATERIAL		
NEXT ASSY	USED ON	FINISH		
APPLICATION		DO NOT SCALE DRAWING		

22 GAUGE

TITLE: MAD-STR-PST-60W-TMG-WF-10AB3X442-RD-30

SIZE DWG. NO. REV
A SCALE: 1:3 WEIGHT: SHEET 8 OF 12

ITEM NO.	PART NUMBER	DESCRIPTION	QTY.
1	POST FITTER	3" ALUMINUM POST FITTER	1



PROPRIETARY AND CONFIDENTIAL
 THE INFORMATION CONTAINED IN THIS DRAWING IS THE SOLE PROPERTY OF <INSERT COMPANY NAME HERE>. ANY REPRODUCTION IN PART OR AS A WHOLE WITHOUT THE WRITTEN PERMISSION OF <INSERT COMPANY NAME HERE> IS PROHIBITED.

		UNLESS OTHERWISE SPECIFIED:		NAME	DATE	3" STEEL POST FITTER		
		DIMENSIONS ARE IN INCHES TOLERANCES: FRACTIONAL ± ANGULAR: MACH ± BEND ± TWO PLACE DECIMAL ± THREE PLACE DECIMAL ±	DRAWN					
		INTERPRET GEOMETRIC TOLERANCING PER:	CHECKED			MAD-STR-PST-60W-TMG-WF-10AB3X442-RD-30		
		MATERIAL	ENG APPR.					
		FINISH	MFG APPR.			COMMENTS:		
NEXT ASSY	USED ON					SIZE	DWG. NO.	REV
APPLICATION		DO NOT SCALE DRAWING				A		
						SCALE: 1:3	WEIGHT:	SHEET 9 OF 12

5

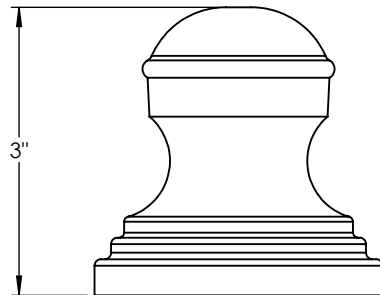
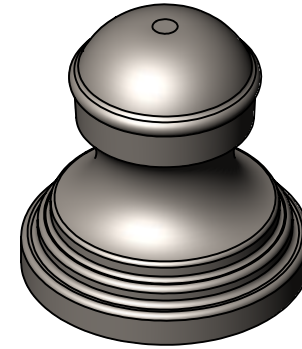
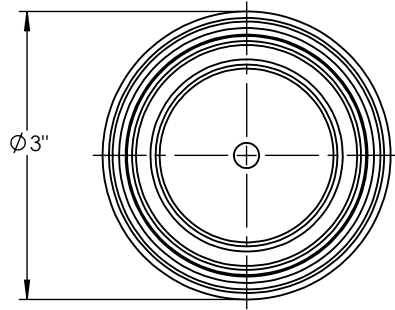
4

3

2

1

ITEM NO.	PART NUMBER	DESCRIPTION	QTY.
1	MAD-STR-PST-60W-TMG-WF-10AB3X442-RD-30K-SPUN ACCENT	SPUN 22 GAUGE	1



PROPRIETARY AND CONFIDENTIAL
 THE INFORMATION CONTAINED IN THIS DRAWING IS THE SOLE PROPERTY OF <INSERT COMPANY NAME HERE>. ANY REPRODUCTION IN PART OR AS A WHOLE WITHOUT THE WRITTEN PERMISSION OF <INSERT COMPANY NAME HERE> IS PROHIBITED.

		UNLESS OTHERWISE SPECIFIED:		NAME	DATE	SPUN 22 GAUGE		
		DIMENSIONS ARE IN INCHES TOLERANCES: FRACTIONAL ± ANGULAR: MACH ± BEND ± TWO PLACE DECIMAL ± THREE PLACE DECIMAL ±	DRAWN					
		INTERPRET GEOMETRIC TOLERANCING PER:	CHECKED			MAD-STR-PST-60W-TMG-WF-10AB3X442-RD-30		
		MATERIAL	ENG APPR.					
		FINISH	MFG APPR.			COMMENTS:		
NEXT ASSY	USED ON					SIZE	DWG. NO.	REV
		DO NOT SCALE DRAWING				A		
APPLICATION						SCALE: 1:2	WEIGHT:	SHEET 10 OF 12

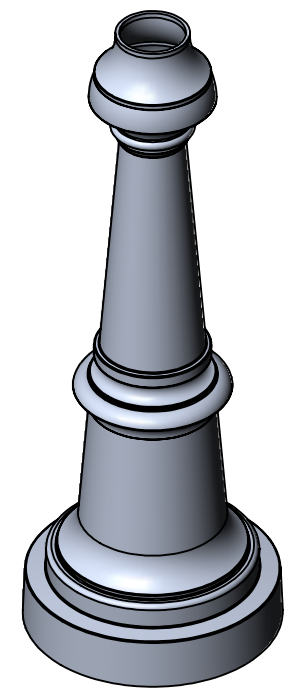
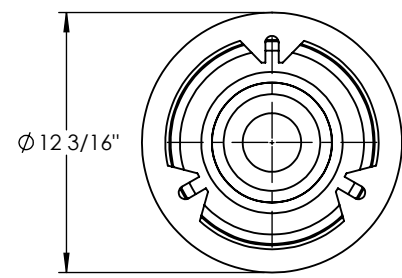
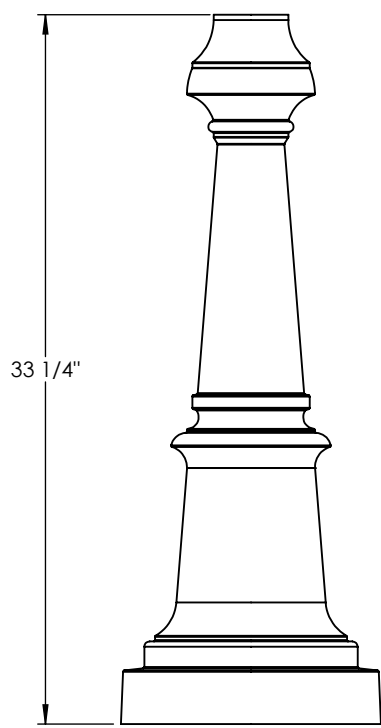
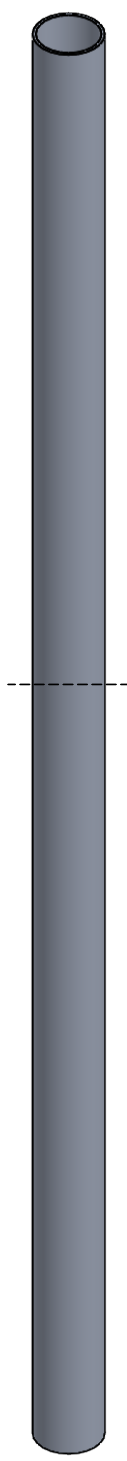
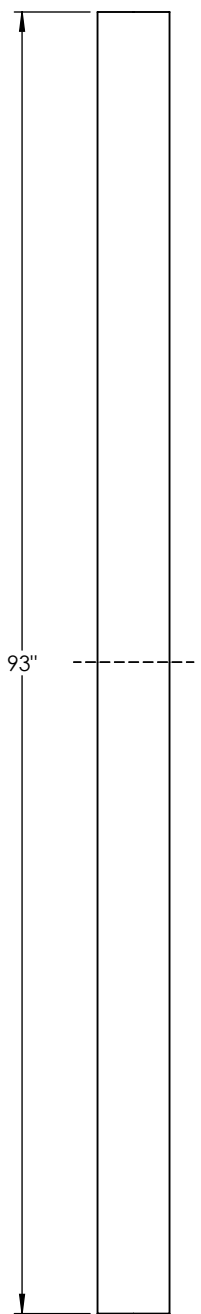
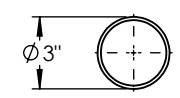
5

4

3

2

1



UNLESS OTHERWISE SPECIFIED:		NAME	DATE	3" ALUMINUM TUBE		
DIMENSIONS ARE IN INCHES		DRAWN				TITLE:
TOLERANCES:		CHECKED		MAD-STR-PST-60W-TMG-WF-10AB3X442-RD-30		
FRACTIONAL ±		ENG APPR.				
ANGULAR: MACH ± BEND ±		MFG APPR.				
TWO PLACE DECIMAL ±		Q.A.		SIZE	DWG. NO.	REV
THREE PLACE DECIMAL ±		COMMENTS:		A		
INTERPRET GEOMETRIC TOLERANCING PER:				SCALE: 1:8	WEIGHT:	SHEET 11 OF 12
MATERIAL						
FINISH						
DO NOT SCALE DRAWING						

5

4

3

2

1

