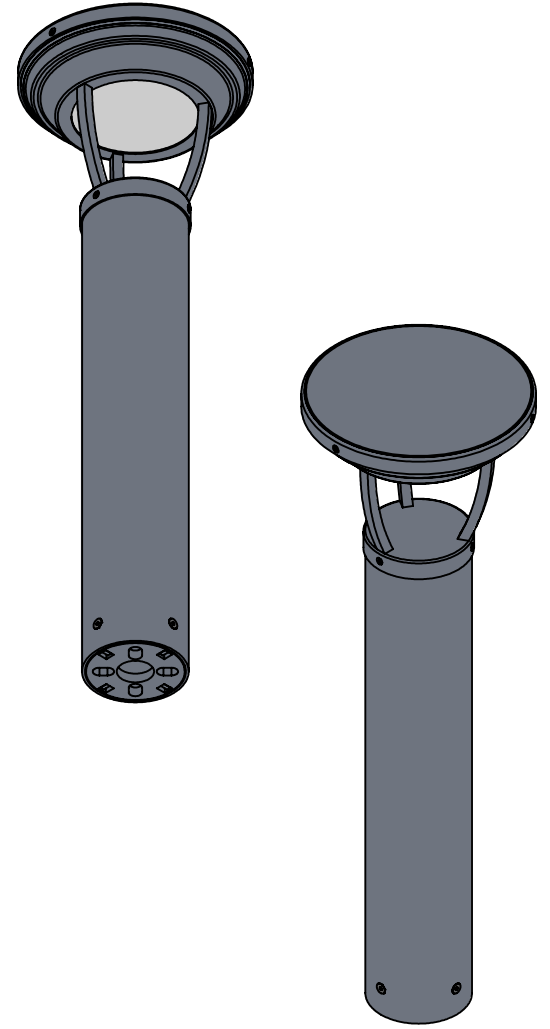
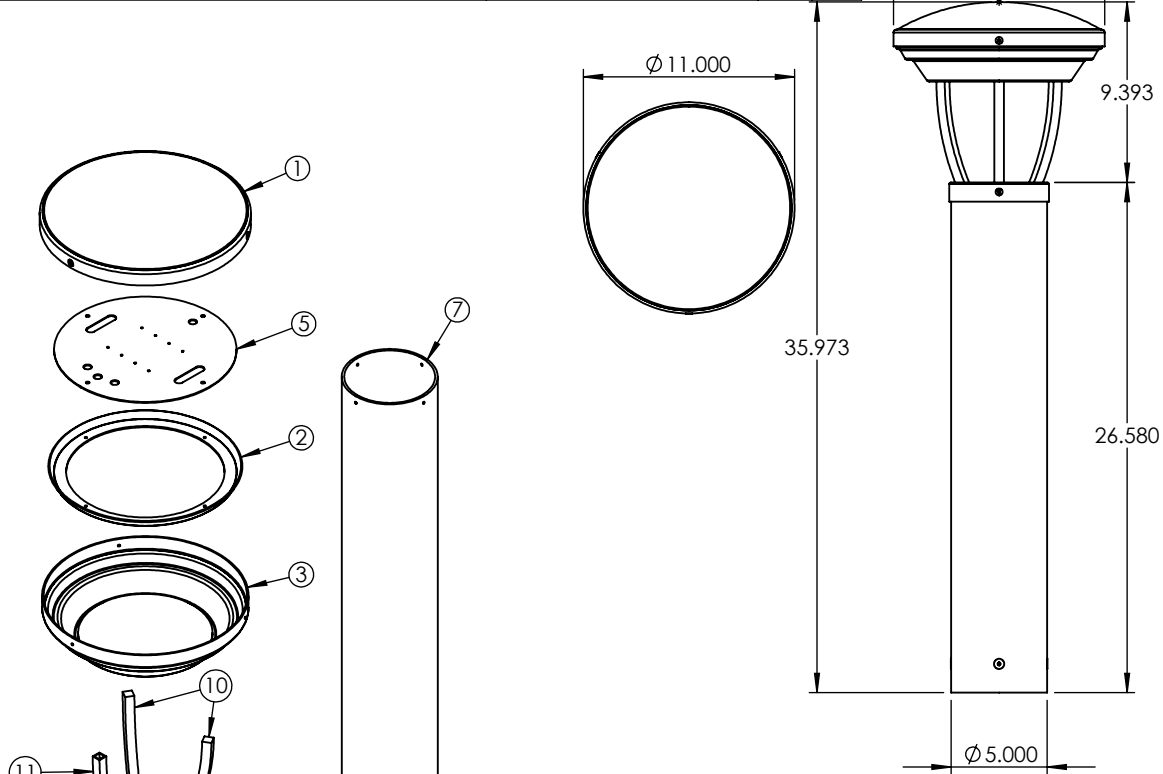


ITEM NO.	PART NUMBER	DESCRIPTION	QTY.	CUT
1	ALC9-36MOD3A-15W-TMG-CFA-41K-SPUN TOP COVER	SPUN ALUMINUM 0.125"	1	
2	ALC9-36MOD3A-15W-TMG-CFA-41K-SPUN LED BRACKET	SPUN ALUMINUM 0.080"	1	
3	ALC9-36MOD3A-15W-TMG-CFA-41K-SPUN SEAT BOWL	SPUN ALUMINUM 0.080"	1	
4	ALC9-36MOD3A-15W-TMG-CFA-41K-SPUN FITTER	SPUN ALUMINUM 0.080"	1	
5	ALC9-36MOD3A-15W-TMG-CFA-41K-LED PLATE	ALUMINUM 0.0635"	1	
6	ALC9-36MOD3A-15W-TMG-CFA-41K-DRIVER BRACKET	ALUMINUM 0.0635"	1	
7	ALC9-36MOD3A-15W-TMG-CFA-41K-5" CYLINDER	5" CYLINDER	1	
8	ALC9-36MOD3A-15W-TMG-CFA-41K-ROUND ANCHOR PLATE	ALUMINUM 0.500" PLATE	1	
9	ALC9-36MOD3A-15W-TMG-CFA-41K-ROUND ANCHOR TAB	ALUMINUM 0.500" PLATE	4	
10	ALC9-36MOD3A-15W-TMG-CFA-41K-CURVED SPACER BAR ARMS	3/4" SQUARE ALUMINUM BAR	2	
11	ALC9-36MOD3A-15W-TMG-CFA-41K-CURVED SPACER TUBE ARMS	3/4" SQUARE ALUMINUM TUBE	1	
12	ALC9-36MOD3A-15W-TMG-CFA-41K-ACRYLIC	ACRYLIC	1	
13	Espen VEL19070MVH-1	DRIVER	1	
14		LED	4	



EVERGREEN LIGHTING

ALL BEND RADIUS .030"

APPLICATION

DO NOT SCALE DRAWING

UNLESS OTHERWISE SPECIFIED:

DIMENSIONS ARE IN INCHES
TOLERANCES:
FRACTIONAL ± .003
ANGULAR: MACH ± .01 BEND ±
TWO PLACE DECIMAL ±
THREE PLACE DECIMAL ± .001

INTERPRET GEOMETRIC
TOLERANCING PER:

MATERIAL

FINISH

NAME DATE

DRAWN
CHECKED
ENG APPR.
MFG APPR.

Q.A.
COMMENTS:

TITLE:

ALC9-36MOD3A-15W-TMG-CFA-41K

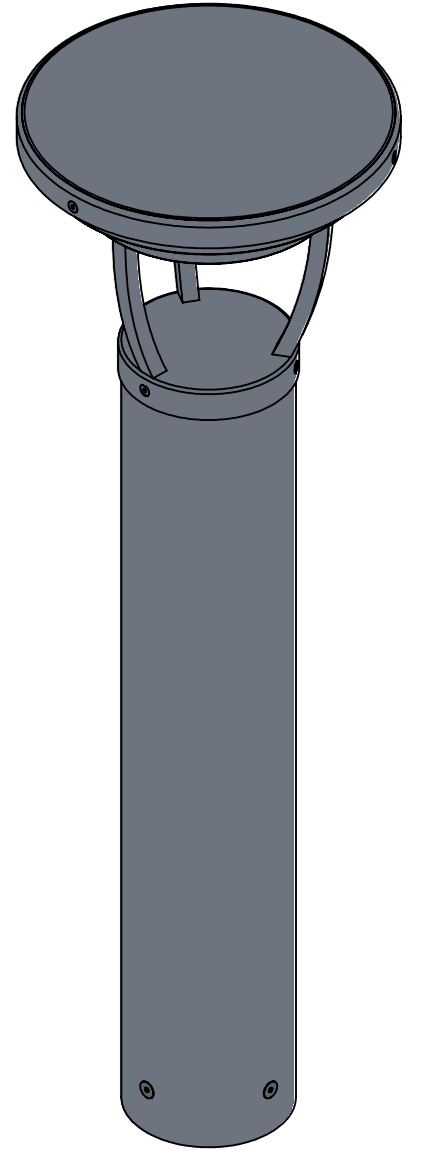
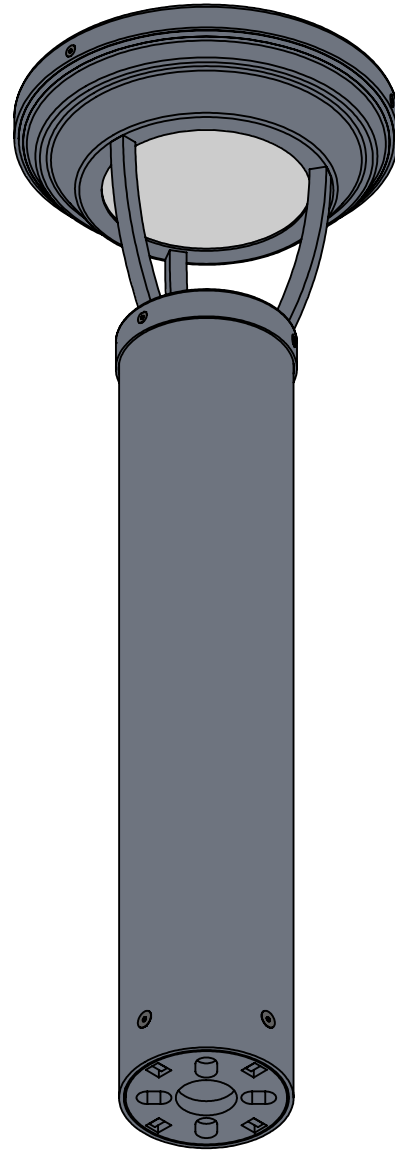
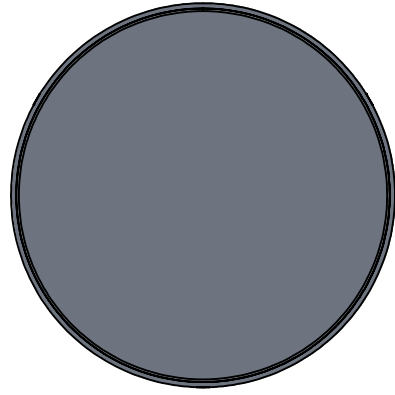
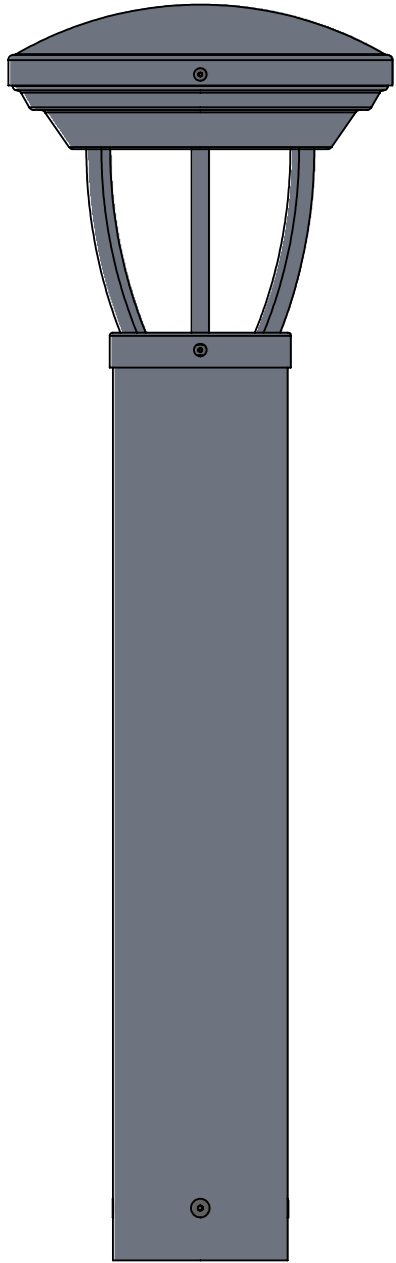
SIZE DWG. NO.

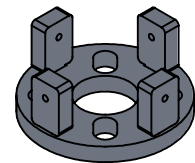
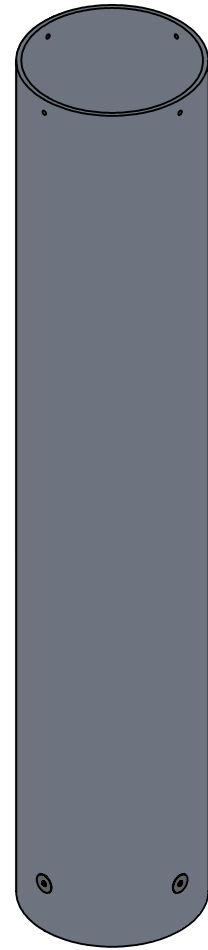
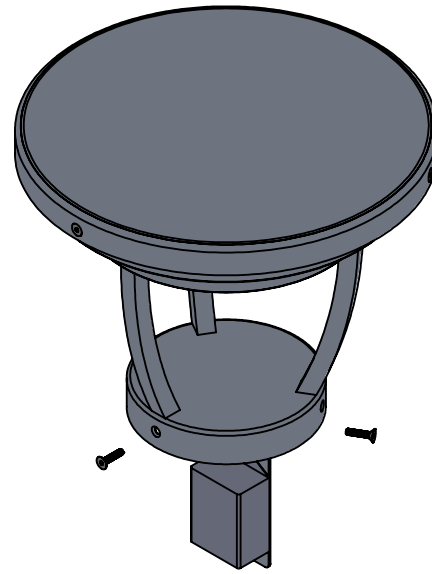
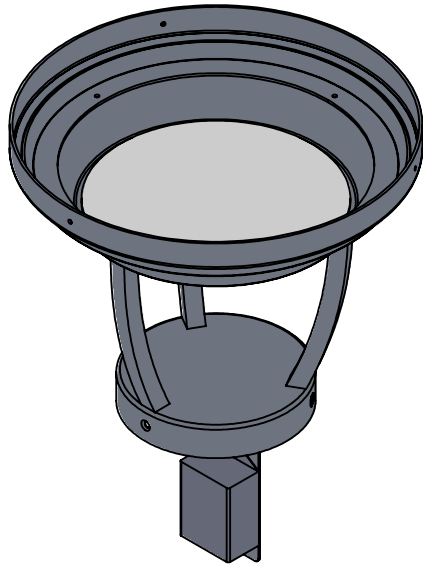
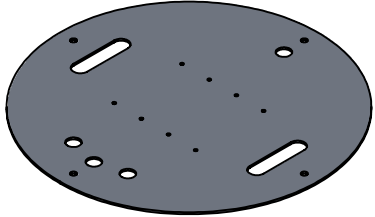
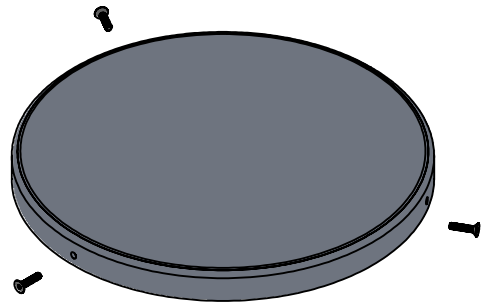
A TICKET 25470

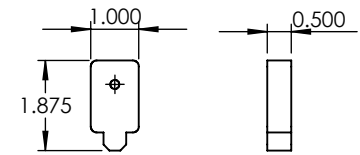
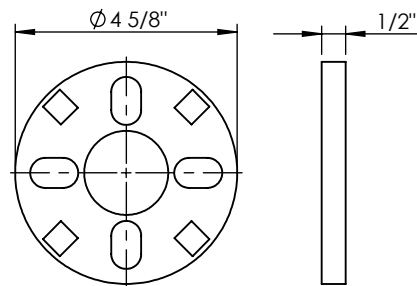
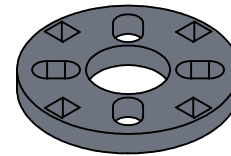
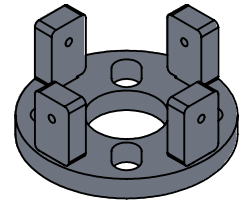
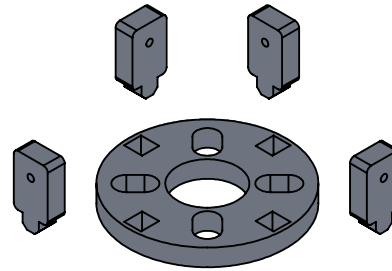
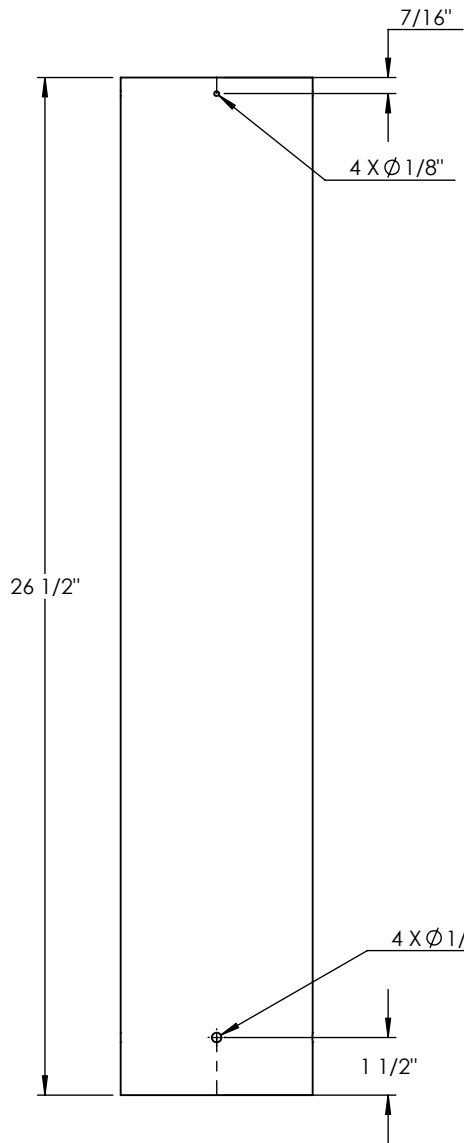
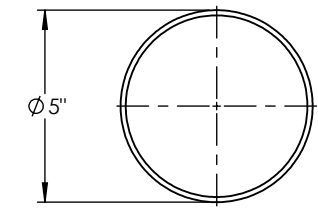
REV

SCALE: 1:10 WEIGHT:

SHEET 1 OF 12







UNLESS OTHERWISE SPECIFIED:		NAME	DATE	5" CYLINDER	
DIMENSIONS ARE IN INCHES		DRAWN			
TOLERANCES:		CHECKED		TITLE:	
FRACTIONAL ±		ENG APPR.		ALC9-36MOD3A-15W-TMG-CFA-41K	
ANGULAR: MACH ± BEND ±		MFG APPR.		SIZE DWG. NO. REV	
TWO PLACE DECIMAL ±		Q.A.		A	
THREE PLACE DECIMAL ±		COMMENTS:		SCALE: 1:5 WEIGHT: SHEET 4 OF 12	
INTERPRET GEOMETRIC TOLERANCING PER:					
MATERIAL					
FINISH					
DO NOT SCALE DRAWING					

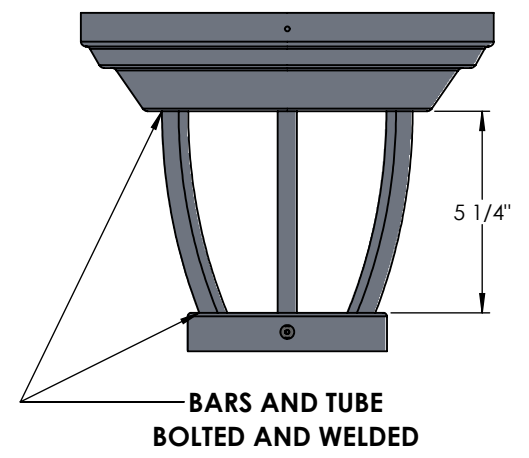
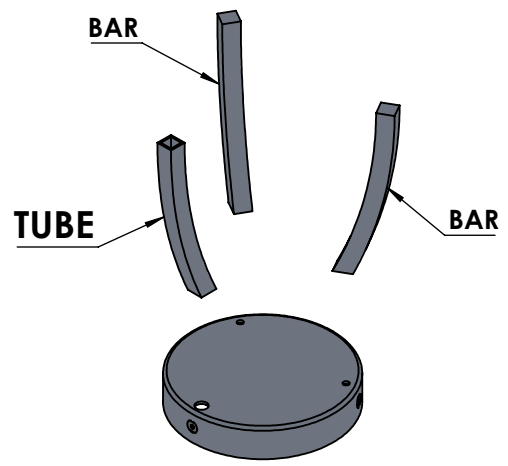
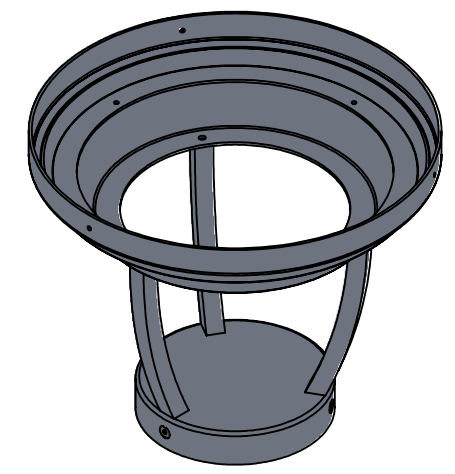
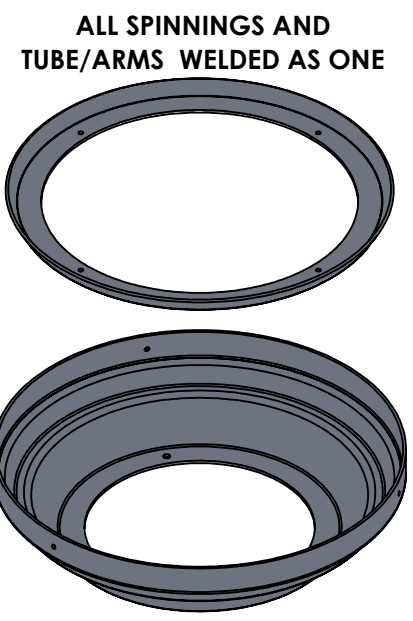
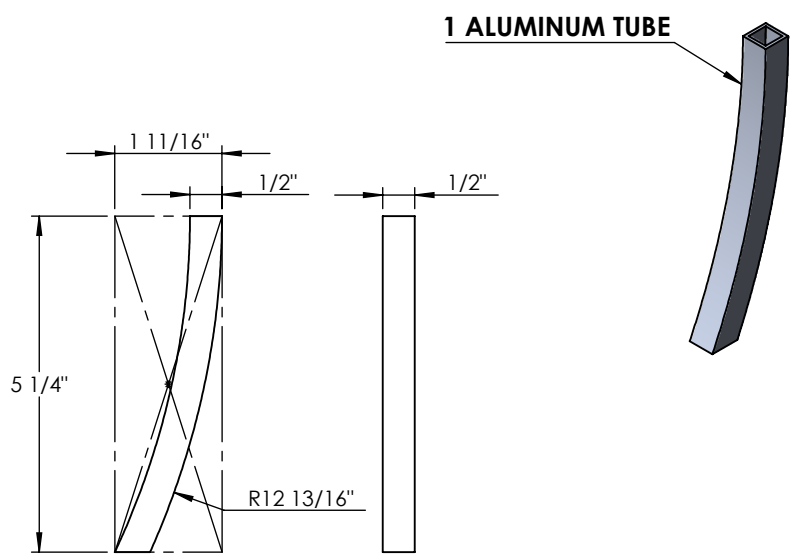
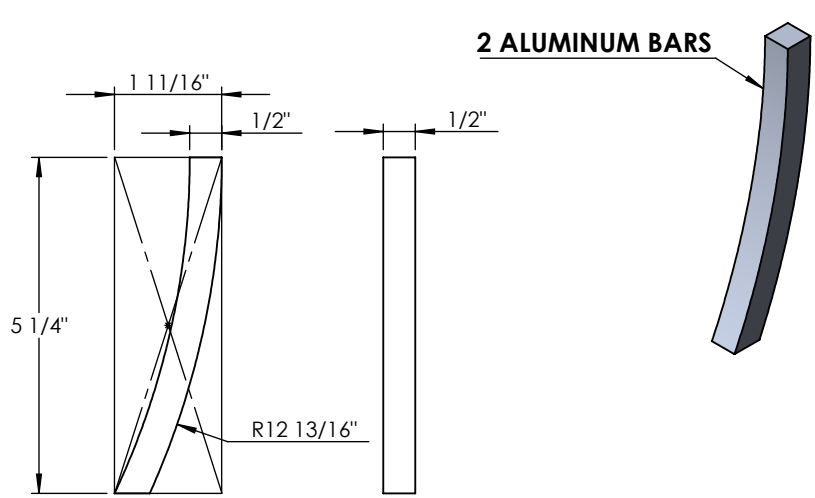
5

4

3

2

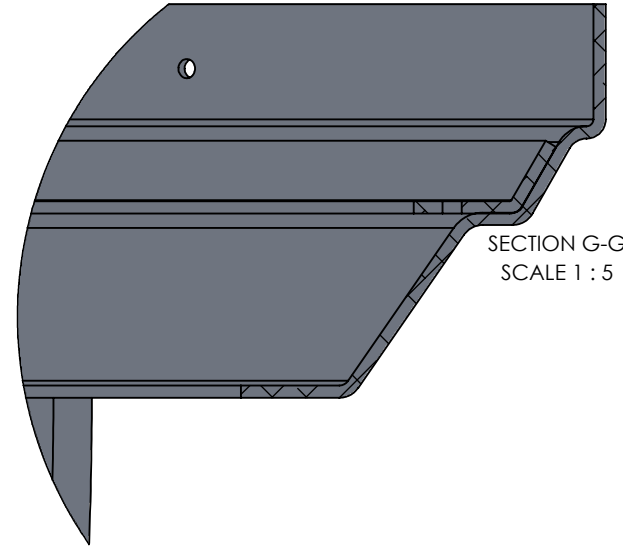
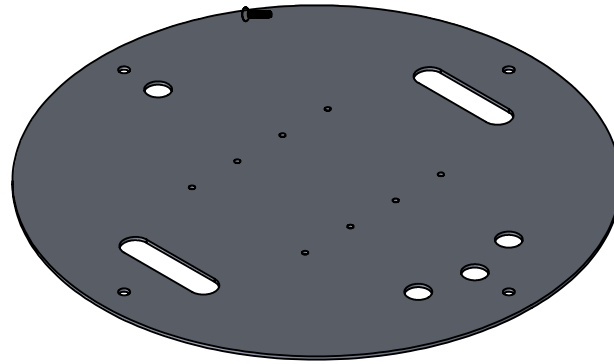
1



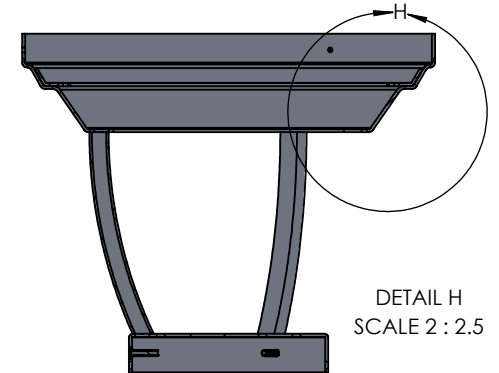
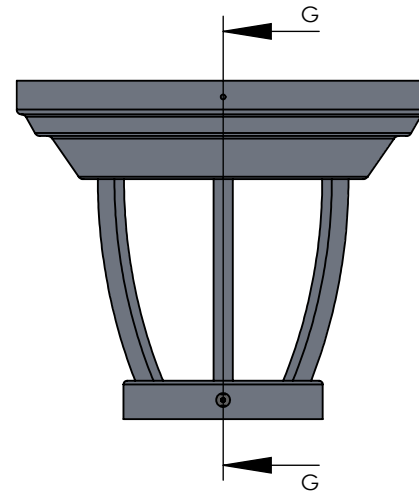
PROPRIETARY AND CONFIDENTIAL
 THE INFORMATION CONTAINED IN THIS DRAWING IS THE SOLE PROPERTY OF <INSERT COMPANY NAME HERE>. ANY REPRODUCTION IN PART OR AS A WHOLE WITHOUT THE WRITTEN PERMISSION OF <INSERT COMPANY NAME HERE> IS PROHIBITED.

		UNLESS OTHERWISE SPECIFIED:		NAME	DATE
		DIMENSIONS ARE IN INCHES TOLERANCES: FRACTIONAL ± ANGULAR: MACH ± BEND ± TWO PLACE DECIMAL ± THREE PLACE DECIMAL ±	DRAWN		
		INTERPRET GEOMETRIC TOLERANCING PER:	CHECKED		
		MATERIAL	ENG APPR.		
		FINISH	MFG APPR.		
			Q.A.		
			COMMENTS:		
NEXT ASSY	USED ON				
APPLICATION		DO NOT SCALE DRAWING			

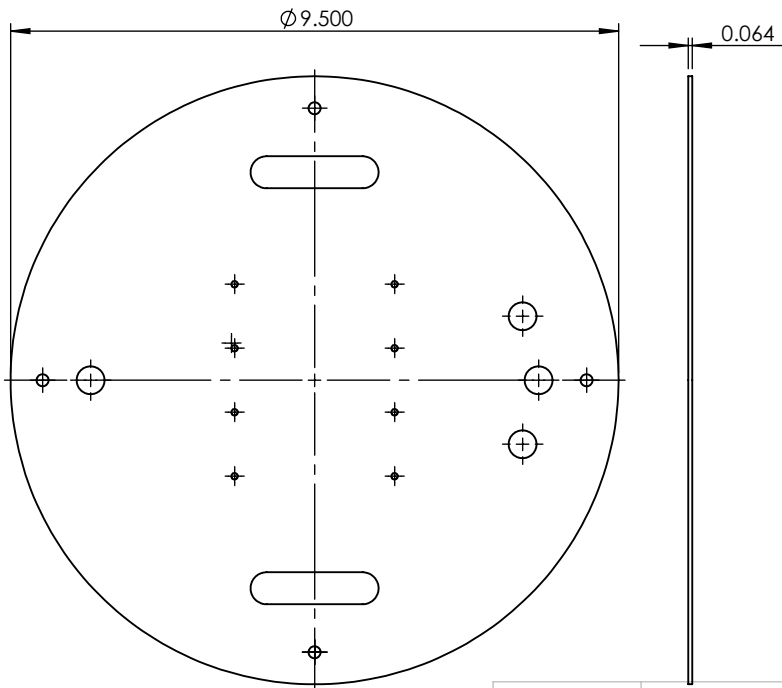
3/4" SQUARE ALUMINUM BAR		
TITLE:		
ALC9-36MOD3A-15W-TMG-CFA-41K		
SIZE	DWG. NO.	REV
A		
SCALE: 1:3	WEIGHT:	SHEET 5 OF 12



SECTION G-G
SCALE 1 : 5



DETAIL H
SCALE 2 : 2.5



PROPRIETARY AND CONFIDENTIAL
THE INFORMATION CONTAINED IN THIS DRAWING IS THE SOLE PROPERTY OF <INSERT COMPANY NAME HERE>. ANY REPRODUCTION IN PART OR AS A WHOLE WITHOUT THE WRITTEN PERMISSION OF <INSERT COMPANY NAME HERE> IS PROHIBITED.

		UNLESS OTHERWISE SPECIFIED:	NAME	DATE	ALUMINUM 0.0635"	
		DIMENSIONS ARE IN INCHES	DRAWN		TITLE:	
		TOLERANCES:	CHECKED		ALC9-36MOD3A-15W-TMG-CFA-41K	
		FRACTIONAL ±	ENG APPR.		SIZE DWG. NO. REV	
		ANGULAR: MACH ± BEND ±	MFG APPR.		A	
		TWO PLACE DECIMAL ±	Q.A.		SCALE: 1:3 WEIGHT: SHEET 6 OF 12	
		THREE PLACE DECIMAL ±	COMMENTS:			
		INTERPRET GEOMETRIC TOLERANCING PER:				
		MATERIAL				
NEXT ASSY	USED ON	FINISH				
APPLICATION		DO NOT SCALE DRAWING				

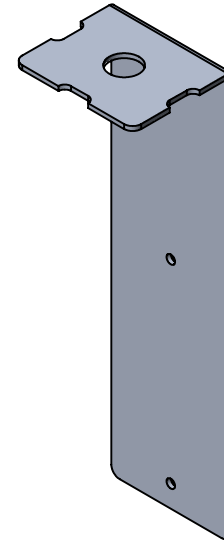
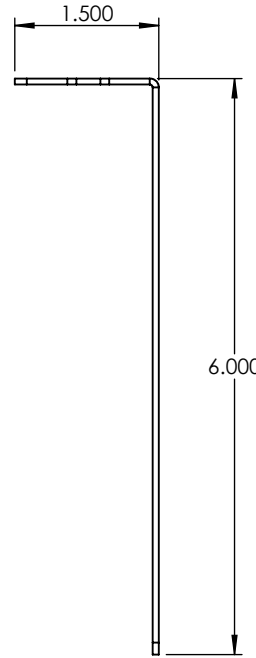
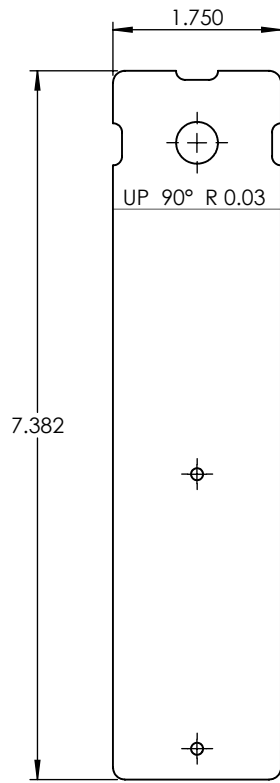
5

4

3

2

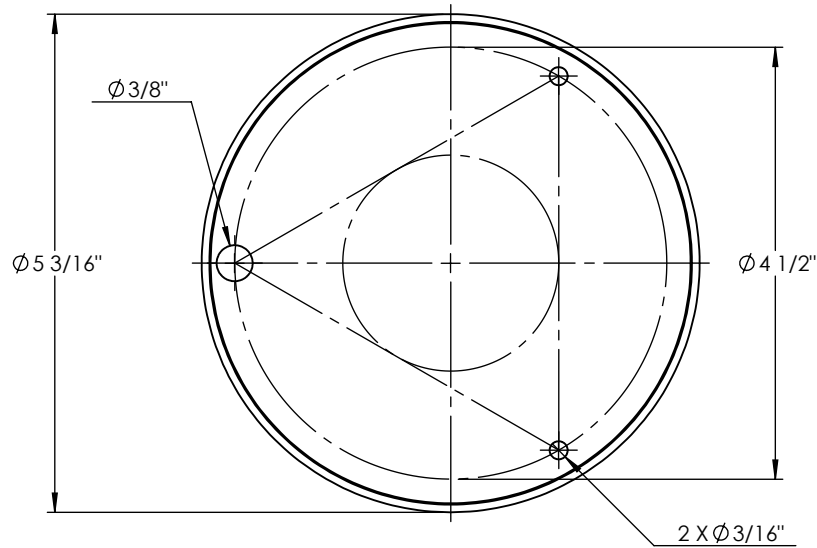
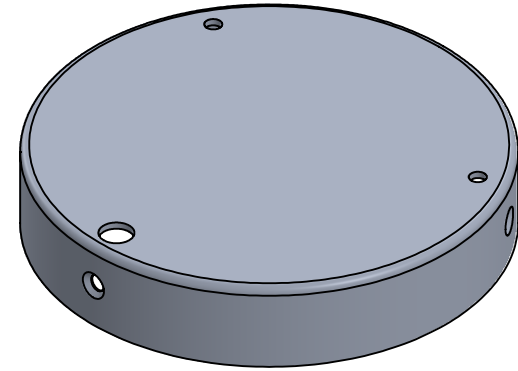
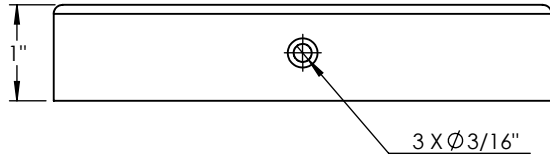
1



PROPRIETARY AND CONFIDENTIAL
 THE INFORMATION CONTAINED IN THIS DRAWING IS THE SOLE PROPERTY OF <INSERT COMPANY NAME HERE>. ANY REPRODUCTION IN PART OR AS A WHOLE WITHOUT THE WRITTEN PERMISSION OF <INSERT COMPANY NAME HERE> IS PROHIBITED.

		UNLESS OTHERWISE SPECIFIED:	NAME	DATE	ALUMINUM 0.0635"	
		DIMENSIONS ARE IN INCHES	DRAWN		TITLE:	
		TOLERANCES:	CHECKED		ALC9-36MOD3A-15W-TMG-CFA-41K	
		FRACTIONAL ±	ENG APPR.		SIZE DWG. NO. REV	
		ANGULAR: MACH ± BEND ±	MFG APPR.		A	
		TWO PLACE DECIMAL ±	Q.A.		SCALE: 1:2 WEIGHT: SHEET 7 OF 12	
		THREE PLACE DECIMAL ±	COMMENTS:			
		INTERPRET GEOMETRIC TOLERANCING PER:				
		MATERIAL				
	NEXT ASSY	USED ON				
		FINISH				
	APPLICATION	DO NOT SCALE DRAWING				

ITEM NO.	PART NUMBER	DESCRIPTION	QTY.
1	ALC9-36MOD3A-15W-TMG-CFA-41K-SPUN FITTER	SPUN ALUMINUM 0.080"	1



PROPRIETARY AND CONFIDENTIAL
THE INFORMATION CONTAINED IN THIS DRAWING IS THE SOLE PROPERTY OF <INSERT COMPANY NAME HERE>. ANY REPRODUCTION IN PART OR AS A WHOLE WITHOUT THE WRITTEN PERMISSION OF <INSERT COMPANY NAME HERE> IS PROHIBITED.

		UNLESS OTHERWISE SPECIFIED:	NAME	DATE	SPUN ALUMINUM 0.080"	
		DIMENSIONS ARE IN INCHES TOLERANCES: FRACTIONAL \pm ANGULAR: MACH \pm BEND \pm TWO PLACE DECIMAL \pm THREE PLACE DECIMAL \pm	DRAWN		TITLE:	
		INTERPRET GEOMETRIC TOLERANCING PER:	CHECKED		ALC9-36MOD3A-15W-TMG-CFA-41K	
		MATERIAL	ENG APPR.		SIZE	DWG. NO.
		FINISH	MFG APPR.		A	REV
NEXT ASSY	USED ON		Q.A.		SCALE: 1:2	WEIGHT:
APPLICATION		DO NOT SCALE DRAWING	COMMENTS:		SHEET 8 OF 12	

5

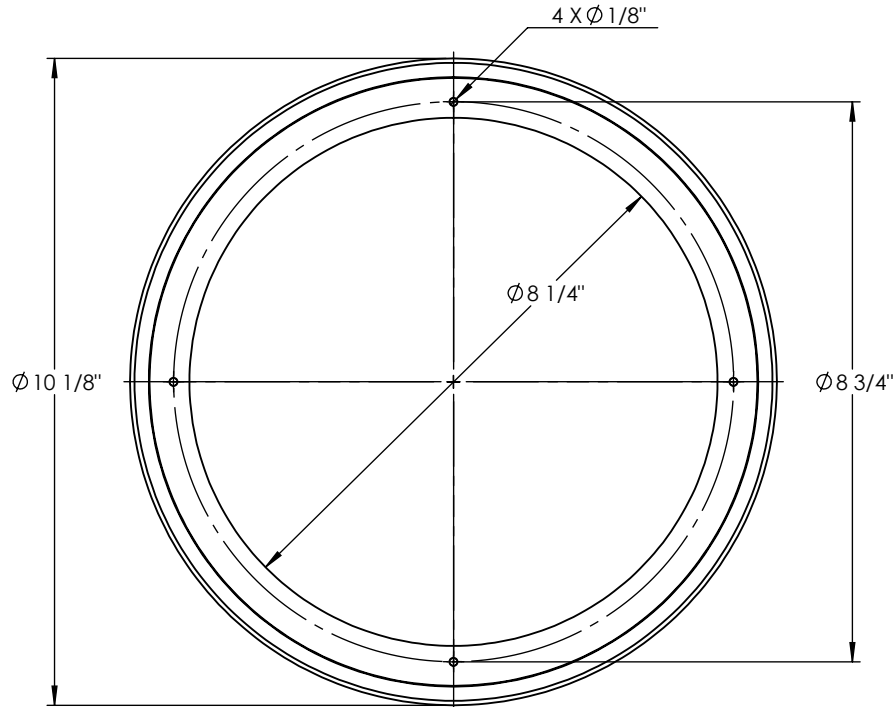
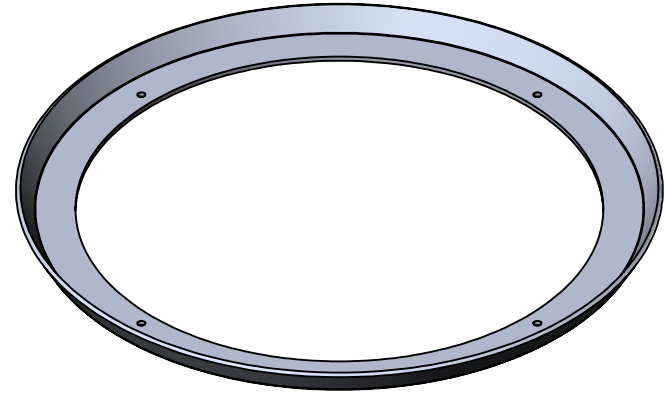
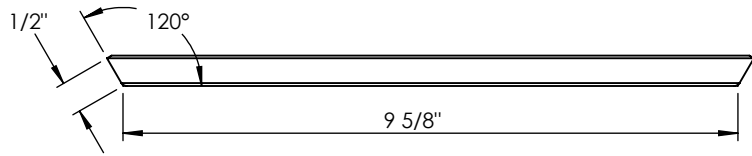
4

3

2

1

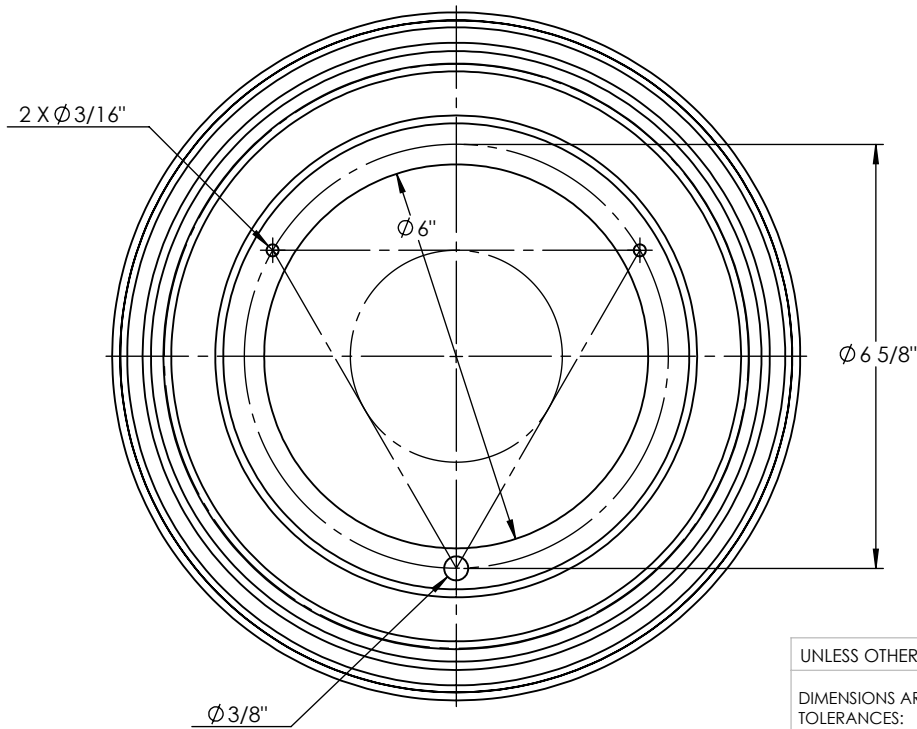
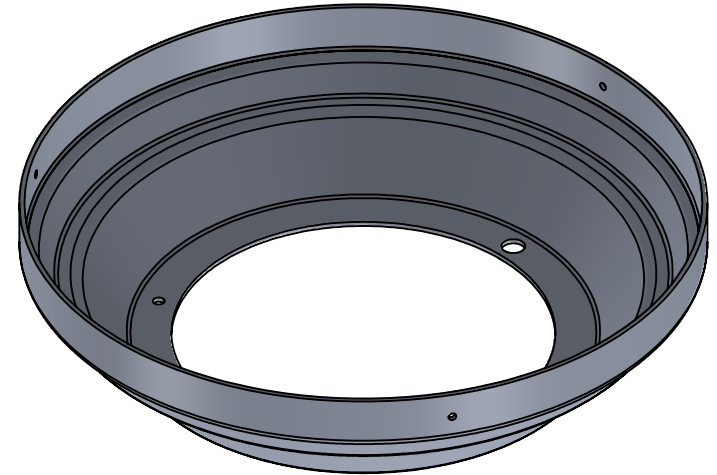
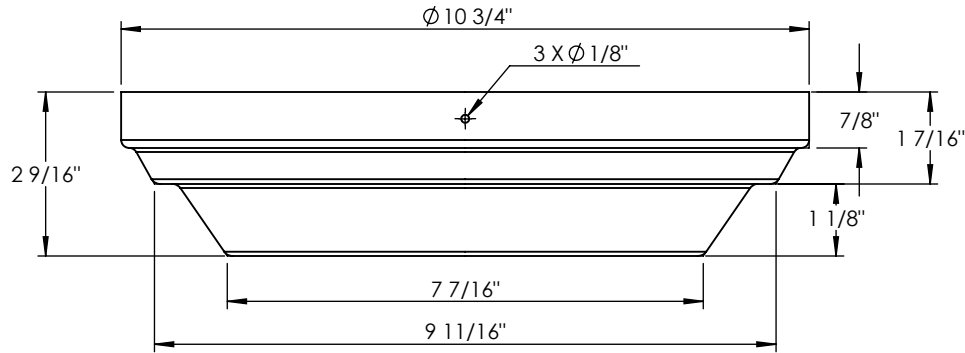
ITEM NO.	PART NUMBER	DESCRIPTION	QTY.
1	ALC-B-MD-20W-42"-MBK-CFA-41K-SPUN TOP COVER	SPUN ALUMINUM 0.080"	1



PROPRIETARY AND CONFIDENTIAL
 THE INFORMATION CONTAINED IN THIS DRAWING IS THE SOLE PROPERTY OF <INSERT COMPANY NAME HERE>. ANY REPRODUCTION IN PART OR AS A WHOLE WITHOUT THE WRITTEN PERMISSION OF <INSERT COMPANY NAME HERE> IS PROHIBITED.

		UNLESS OTHERWISE SPECIFIED:		NAME	DATE	SPUN ALUMINUM 0.080"	
		DIMENSIONS ARE IN INCHES TOLERANCES: FRACTIONAL ± ANGULAR: MACH ± BEND ± TWO PLACE DECIMAL ± THREE PLACE DECIMAL ±	DRAWN			TITLE:	
		INTERPRET GEOMETRIC TOLERANCING PER:	CHECKED			ALC9-36MOD3A-15W-TMG-CFA-41K	
		MATERIAL	ENG APPR.			SIZE	DWG. NO.
		FINISH	MFG APPR.			A	REV
NEXT ASSY	USED ON		Q.A.			SCALE: 1:3	WEIGHT:
APPLICATION		DO NOT SCALE DRAWING	COMMENTS:				SHEET 9 OF 12

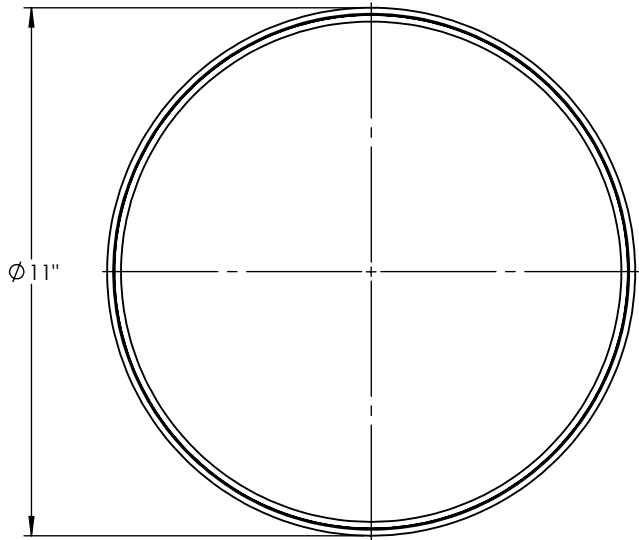
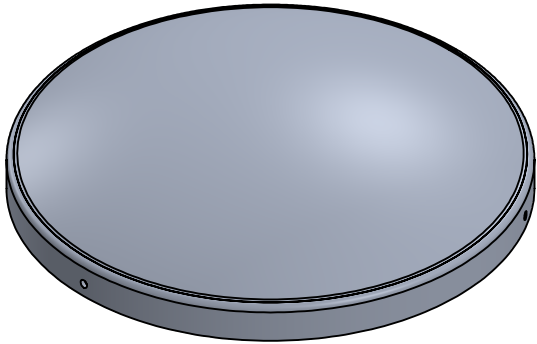
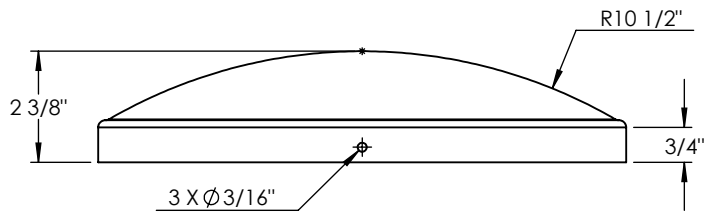
ITEM NO.	PART NUMBER	DESCRIPTION	QTY.
1	ALC9-36MOD3A-15W-TMG-CFA-41K-SPUN SEAT BOWL	SPUN ALUMINUM 0.080"	1



UNLESS OTHERWISE SPECIFIED:		NAME	DATE	SPUN ALUMINUM 0.080"	
DIMENSIONS ARE IN INCHES		DRAWN		TITLE:	
TOLERANCES:		CHECKED		ALC9-36MOD3A-15W-TMG-CFA-41K	
FRACTIONAL ±		ENG APPR.		SIZE DWG. NO. REV	
ANGULAR: MACH ± BEND ±		MFG APPR.		SCALE: 1:3 WEIGHT: SHEET 10 OF 12	
TWO PLACE DECIMAL ±		Q.A.			
THREE PLACE DECIMAL ±		COMMENTS:			
INTERPRET GEOMETRIC TOLERANCING PER:					
MATERIAL					
FINISH					
APPLICATION					
DO NOT SCALE DRAWING					

PROPRIETARY AND CONFIDENTIAL
 THE INFORMATION CONTAINED IN THIS DRAWING IS THE SOLE PROPERTY OF <INSERT COMPANY NAME HERE>. ANY REPRODUCTION IN PART OR AS A WHOLE WITHOUT THE WRITTEN PERMISSION OF <INSERT COMPANY NAME HERE> IS PROHIBITED.

ITEM NO.	PART NUMBER	DESCRIPTION	QTY.
1	ALC9-36MOD3A-15W-TMG-CFA-41K-SPUN TOP COVER	SPUN ALUMINUM 0.080"	1



UNLESS OTHERWISE SPECIFIED:		NAME	DATE	SPUN ALUMINUM 0.125"	
DIMENSIONS ARE IN INCHES		DRAWN		TITLE:	
TOLERANCES:		CHECKED		ALC9-36MOD3A-15W-TMG-CFA-41K	
FRACTIONAL ±		ENG APPR.		SIZE	DWG. NO.
ANGULAR: MACH ± BEND ±		MFG APPR.		A	REV
TWO PLACE DECIMAL ±		Q.A.		SCALE: 1:4	WEIGHT:
THREE PLACE DECIMAL ±		COMMENTS:			SHEET 11 OF 12
INTERPRET GEOMETRIC TOLERANCING PER:					
MATERIAL					
FINISH					
NEXT ASSY	USED ON				
APPLICATION					
DO NOT SCALE DRAWING					

PROPRIETARY AND CONFIDENTIAL
 THE INFORMATION CONTAINED IN THIS DRAWING IS THE SOLE PROPERTY OF <INSERT COMPANY NAME HERE>. ANY REPRODUCTION IN PART OR AS A WHOLE WITHOUT THE WRITTEN PERMISSION OF <INSERT COMPANY NAME HERE> IS PROHIBITED.

