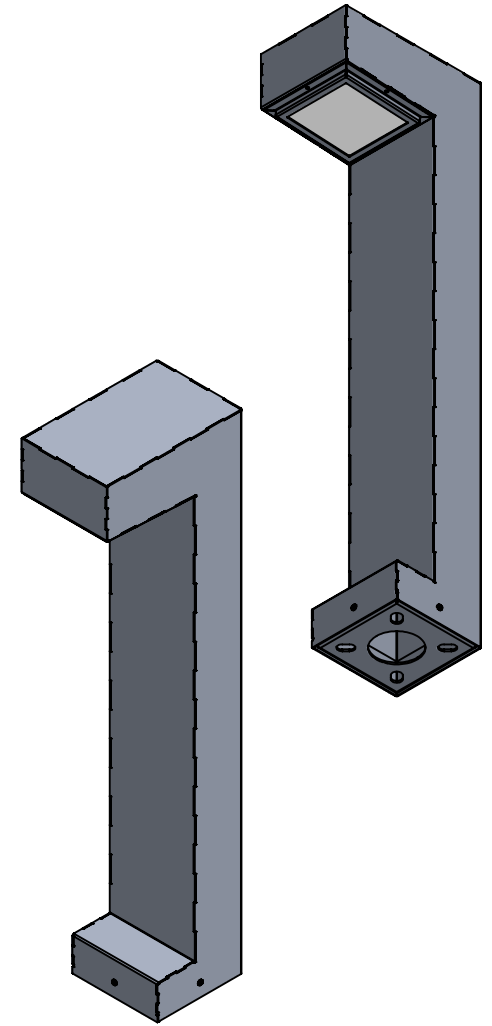
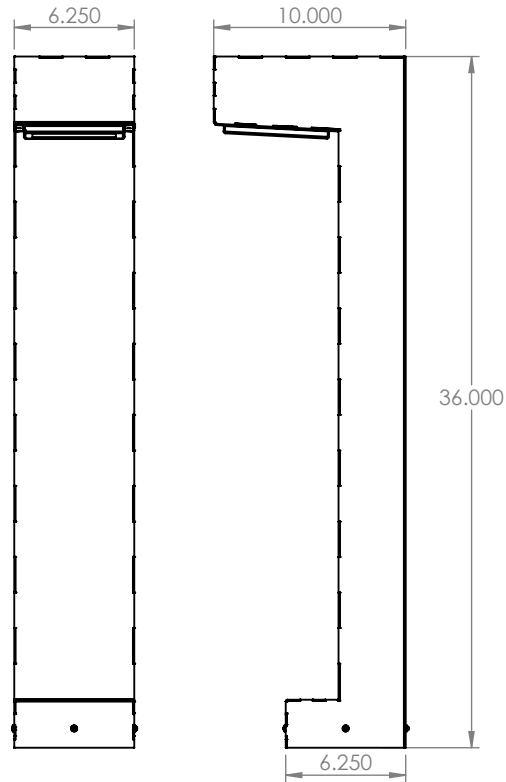
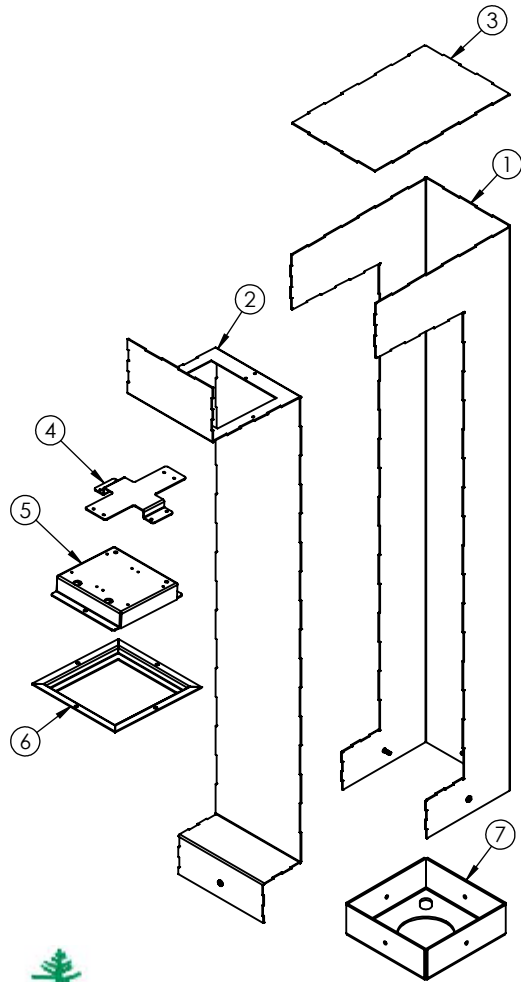


| ITEM NO. | PART NUMBER                               | DESCRIPTION           | QTY. | CUT |
|----------|---|-----------------------|------|-----|
| 1        | AC-B-36"-24W-TBR-CFA-590NM-FRAME          | ALUMINUM 0.0635"      | 1    |     |
| 2        | AC-B-36"-24W-TBR-CFA-590NM-FRONT FRAME    | ALUMINUM 0.0635"      | 1    |     |
| 3        | AC-B-36"-24W-TBR-CFA-590NM-FRAME TOP      | ALUMINUM 0.0635"      | 1    |     |
| 4        | AC-B-36"-24W-TBR-CFA-590NM-DRIVER BRACKET | ALUMINUM 0.0635"      | 1    |     |
| 5        | AC-B-36"-24W-TBR-CFA-590NM-LED BRACKET    | ALUMINUM 0.0635"      | 1    |     |
| 6        | AC-B-36"-24W-TBR-CFA-590NM-DOOR           | ALUMINUM .0635"       | 1    |     |
| 7        | AC-B-36"-24W-TBR-CFA-590NM-FIREPLATE      | ALUMINUM 0.125" PLATE | 1    |     |
| 8        | AC-B-36"-24W-TBR-CFA-590NM-DOOR LENS      | ACRYLIC               | 1    |     |
| 9        | Altal_LED_PN1019_SHIM PLATE               | ALUMINUM 0.125" PLATE | 2    |     |
| 10       | KTLD-25-UV-700-AF4-CP                     | DRIVER                | 1    |     |
| 11       | Altal_LED_PN1019_RevC                     | LED                   | 2    |     |



**EVERGREEN LIGHTING**

ALL BEND RADIUS .030"

APPLICATION

DO NOT SCALE DRAWING

UNLESS OTHERWISE SPECIFIED:

DIMENSIONS ARE IN INCHES  
TOLERANCES:  
FRACTIONAL ± .003  
ANGULAR: MACH ± .01 BEND ±  
TWO PLACE DECIMAL ±  
THREE PLACE DECIMAL ± .001

INTERPRET GEOMETRIC  
TOLERANCING PER:

MATERIAL

FINISH

| NAME | DATE |
|------|------|
|      |      |
|      |      |
|      |      |
|      |      |

|           |  |
|-----------|--|
| DRAWN     |  |
| CHECKED   |  |
| ENG APPR. |  |
| MFG APPR. |  |

Q.A.

COMMENTS:

TITLE:

AC-B-36"-24W-TBR-CFA-590NM

SIZE DWG. NO.

**A** TICKET 23817

REV

SCALE: 1:10 WEIGHT:

SHEET 1 OF 9

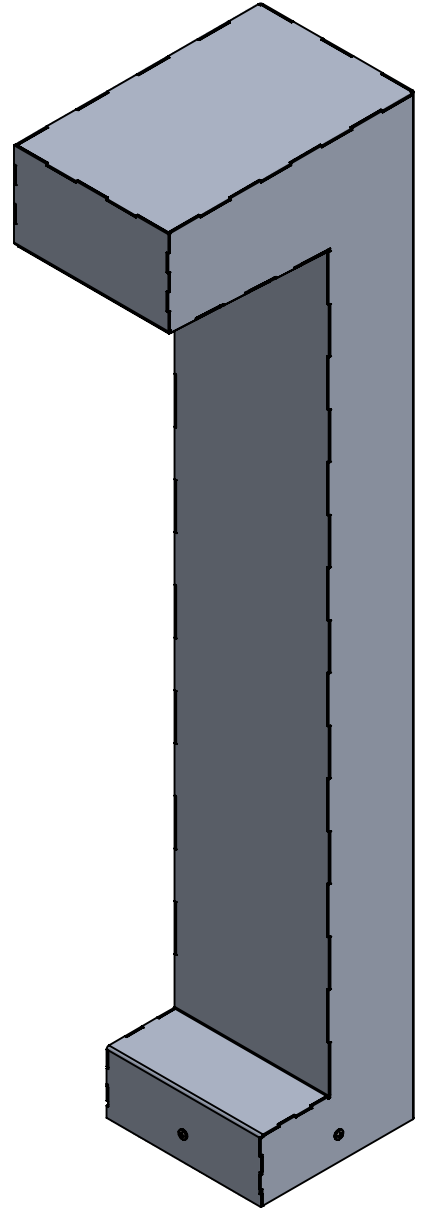
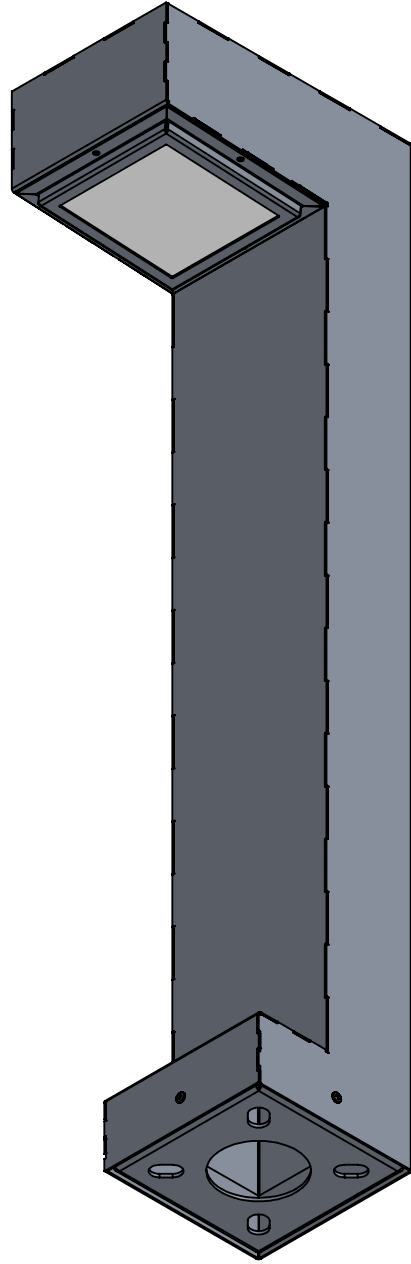
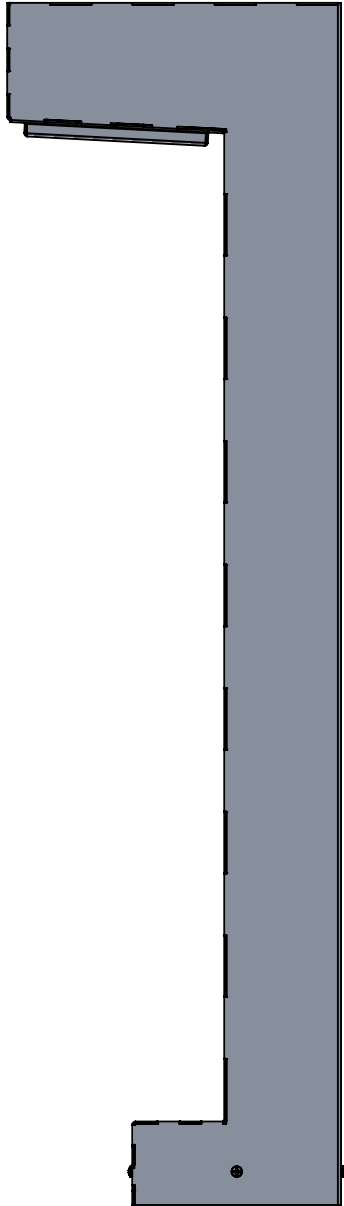
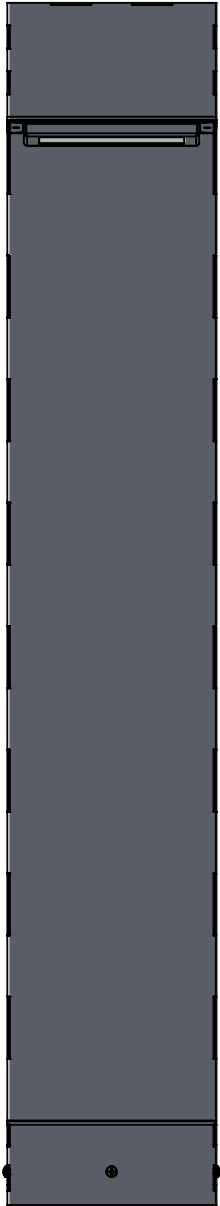
5

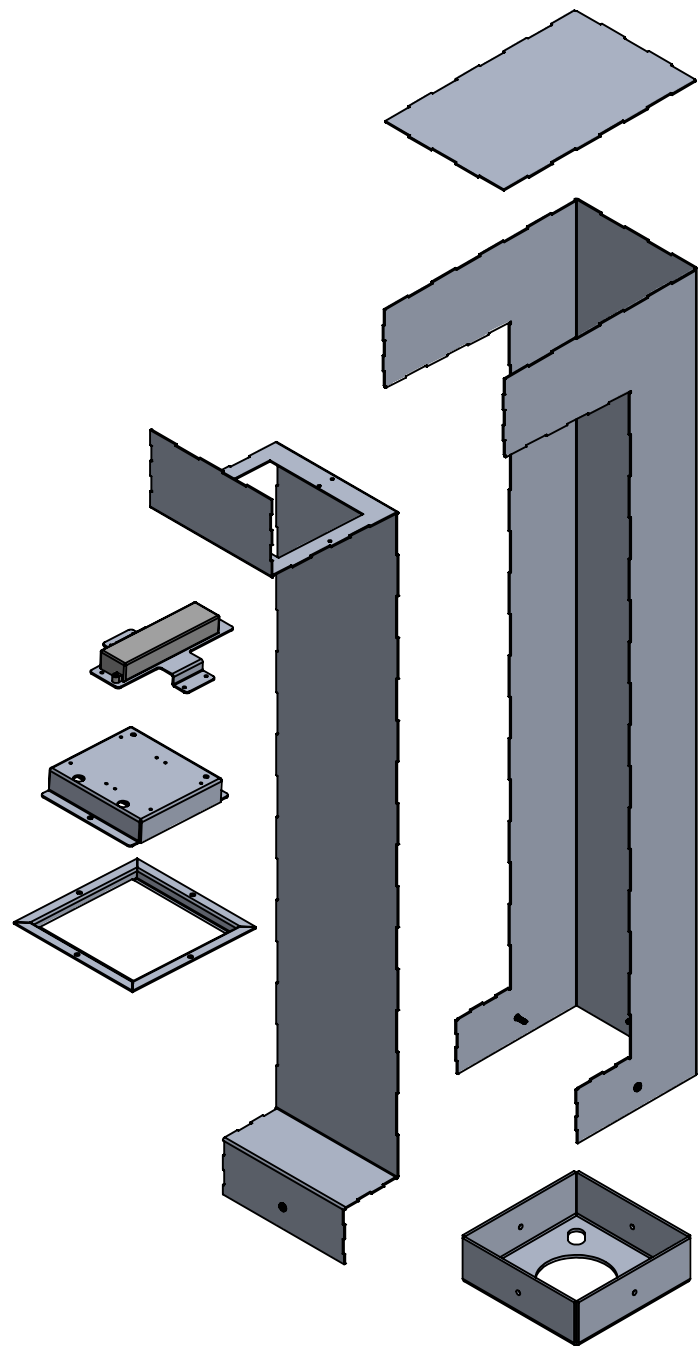
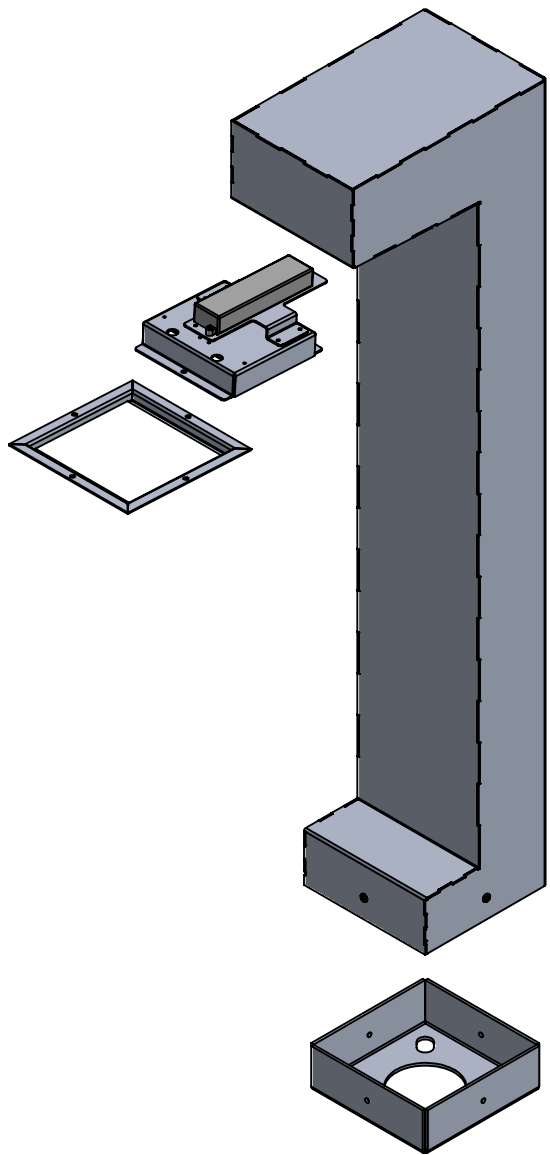
4

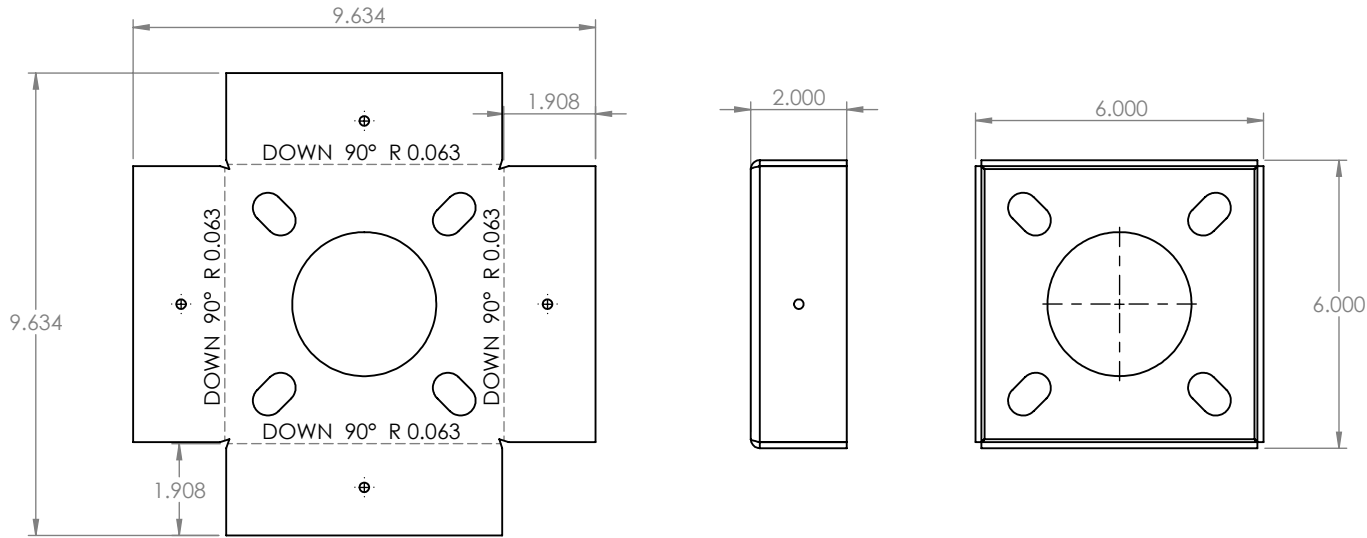
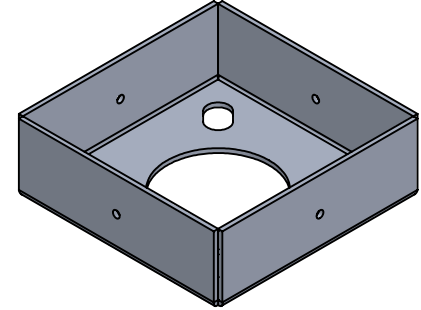
3

2

1







**PROPRIETARY AND CONFIDENTIAL**  
 THE INFORMATION CONTAINED IN THIS DRAWING IS THE SOLE PROPERTY OF <INSERT COMPANY NAME HERE>. ANY REPRODUCTION IN PART OR AS A WHOLE WITHOUT THE WRITTEN PERMISSION OF <INSERT COMPANY NAME HERE> IS PROHIBITED.

|             |         |                                      |           |      |      |
|-------------|---------|--------------------------------------|-----------|------|------|
|             |         | UNLESS OTHERWISE SPECIFIED:          |           | NAME | DATE |
|             |         | DIMENSIONS ARE IN INCHES             | DRAWN     |      |      |
|             |         | TOLERANCES:                          | CHECKED   |      |      |
|             |         | FRACTIONAL ±                         | ENG APPR. |      |      |
|             |         | ANGULAR: MACH ± BEND ±               | MFG APPR. |      |      |
|             |         | TWO PLACE DECIMAL ±                  | Q.A.      |      |      |
|             |         | THREE PLACE DECIMAL ±                | COMMENTS: |      |      |
|             |         | INTERPRET GEOMETRIC TOLERANCING PER: |           |      |      |
|             |         | MATERIAL                             |           |      |      |
|             |         | FINISH                               |           |      |      |
| NEXT ASSY   | USED ON |                                      |           |      |      |
| APPLICATION |         | DO NOT SCALE DRAWING                 |           |      |      |

|                            |          |              |
|----------------------------|----------|--------------|
| ALUMINUM 0.125" PLATE      |          |              |
| TITLE:                     |          |              |
| AC-B-36"-24W-TBR-CFA-590NM |          |              |
| SIZE                       | DWG. NO. | REV          |
| <b>A</b>                   |          |              |
| SCALE: 1:4                 | WEIGHT:  | SHEET 4 OF 9 |

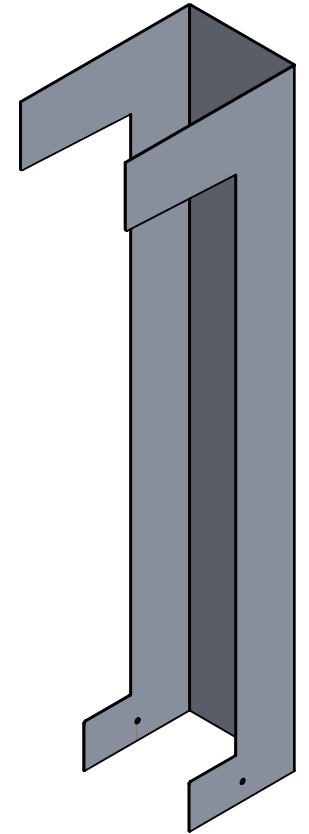
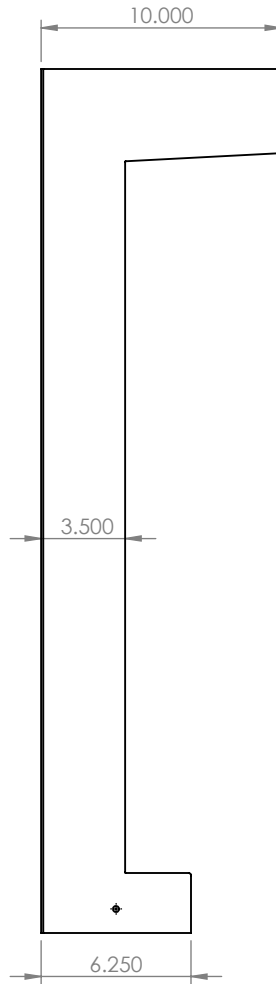
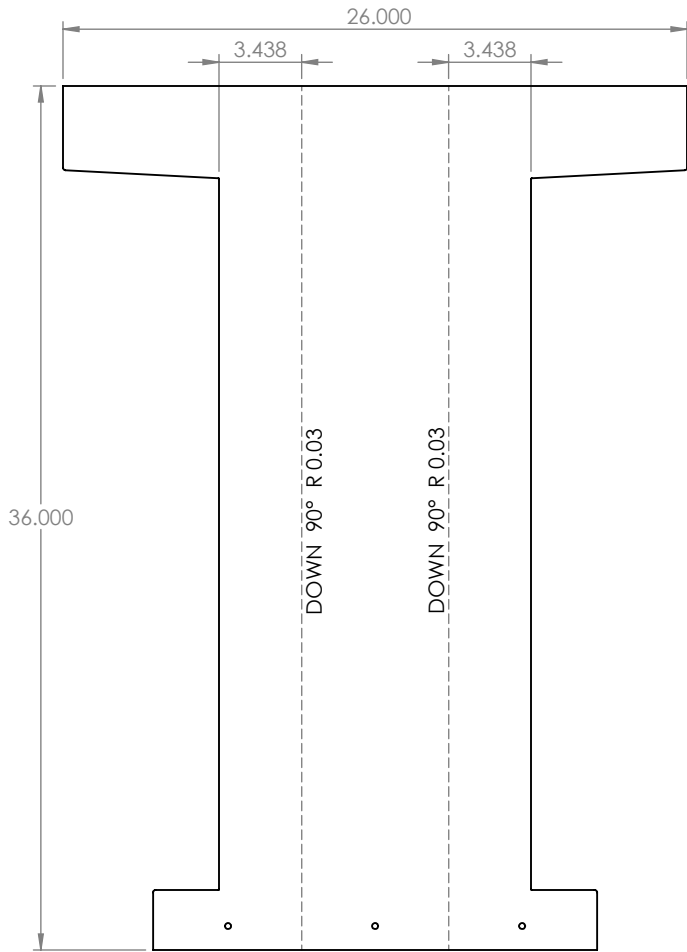
5

4

3

2

1



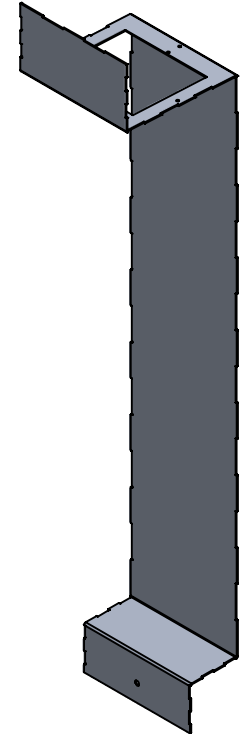
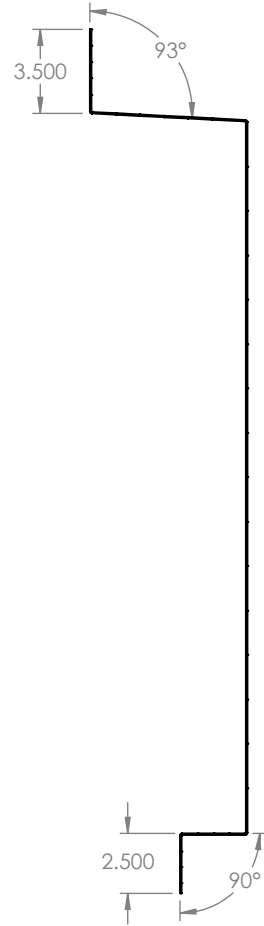
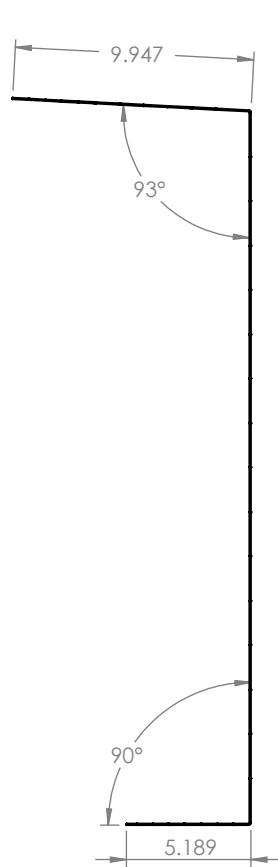
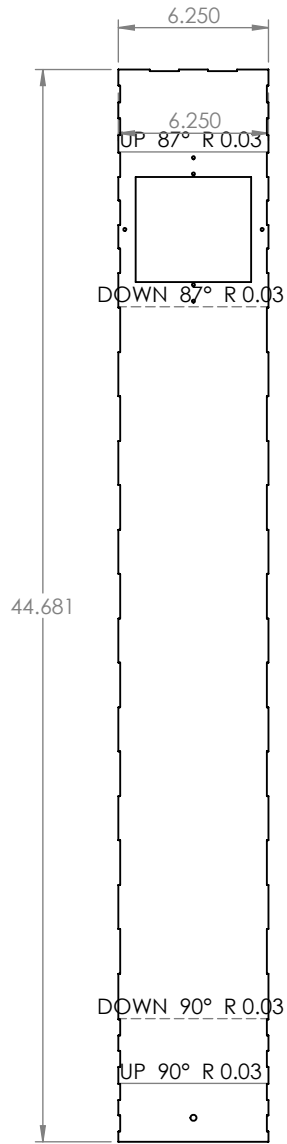
**PROPRIETARY AND CONFIDENTIAL**  
 THE INFORMATION CONTAINED IN THIS DRAWING IS THE SOLE PROPERTY OF <INSERT COMPANY NAME HERE>. ANY REPRODUCTION IN PART OR AS A WHOLE WITHOUT THE WRITTEN PERMISSION OF <INSERT COMPANY NAME HERE> IS PROHIBITED.

|             |         |
|-------------|---------|
|             |         |
|             |         |
|             |         |
| NEXT ASSY   | USED ON |
| APPLICATION |         |

|                                      |
|--------------------------------------|
| UNLESS OTHERWISE SPECIFIED:          |
| DIMENSIONS ARE IN INCHES             |
| TOLERANCES:                          |
| FRACTIONAL ±                         |
| ANGULAR: MACH ± BEND ±               |
| TWO PLACE DECIMAL ±                  |
| THREE PLACE DECIMAL ±                |
| INTERPRET GEOMETRIC TOLERANCING PER: |
| MATERIAL                             |
| FINISH                               |
| DO NOT SCALE DRAWING                 |

|           |      |      |
|-----------|------|------|
|           | NAME | DATE |
| DRAWN     |      |      |
| CHECKED   |      |      |
| ENG APPR. |      |      |
| MFG APPR. |      |      |
| Q.A.      |      |      |
| COMMENTS: |      |      |

|                            |          |              |
|----------------------------|----------|--------------|
| ALUMINUM 0.0635"           |          |              |
| TITLE:                     |          |              |
| AC-B-36"-24W-TBR-CFA-590NM |          |              |
| SIZE                       | DWG. NO. | REV          |
| <b>A</b>                   |          |              |
| SCALE: 1:8                 | WEIGHT:  | SHEET 5 OF 9 |



**PROPRIETARY AND CONFIDENTIAL**  
 THE INFORMATION CONTAINED IN THIS DRAWING IS THE SOLE PROPERTY OF <INSERT COMPANY NAME HERE>. ANY REPRODUCTION IN PART OR AS A WHOLE WITHOUT THE WRITTEN PERMISSION OF <INSERT COMPANY NAME HERE> IS PROHIBITED.

|             |         |                                      |           |      |      |
|-------------|---------|--------------------------------------|-----------|------|------|
|             |         | UNLESS OTHERWISE SPECIFIED:          |           | NAME | DATE |
|             |         | DIMENSIONS ARE IN INCHES             | DRAWN     |      |      |
|             |         | TOLERANCES:                          | CHECKED   |      |      |
|             |         | FRACTIONAL ±                         | ENG APPR. |      |      |
|             |         | ANGULAR: MACH ± BEND ±               | MFG APPR. |      |      |
|             |         | TWO PLACE DECIMAL ±                  | Q.A.      |      |      |
|             |         | THREE PLACE DECIMAL ±                | COMMENTS: |      |      |
|             |         | INTERPRET GEOMETRIC TOLERANCING PER: |           |      |      |
|             |         | MATERIAL                             |           |      |      |
| NEXT ASSY   | USED ON | FINISH                               |           |      |      |
| APPLICATION |         | DO NOT SCALE DRAWING                 |           |      |      |

|                            |          |              |
|----------------------------|----------|--------------|
| ALUMINUM 0.0635"           |          |              |
| TITLE:                     |          |              |
| AC-B-36"-24W-TBR-CFA-590NM |          |              |
| SIZE                       | DWG. NO. | REV          |
| <b>A</b>                   |          |              |
| SCALE: 1:8                 | WEIGHT:  | SHEET 6 OF 9 |

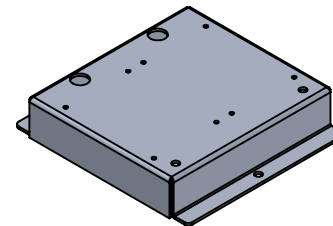
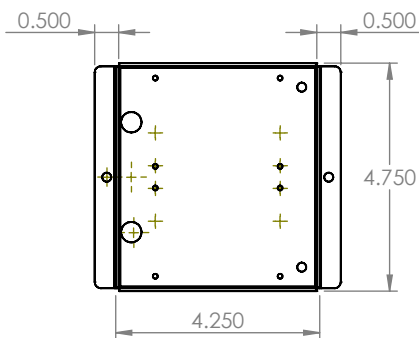
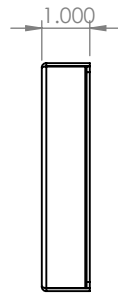
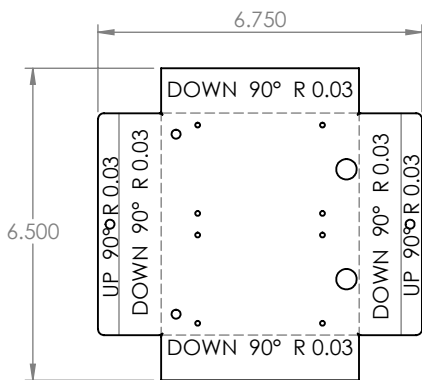
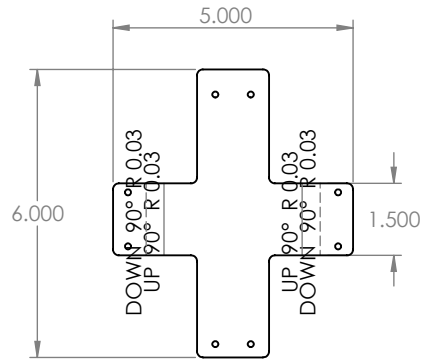
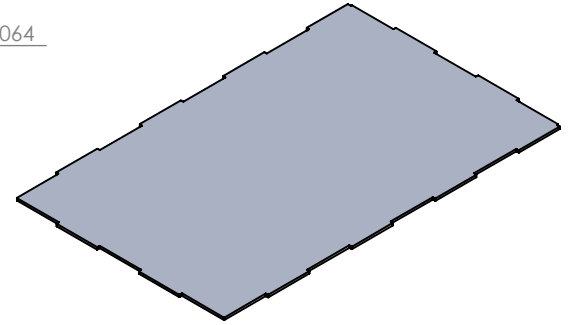
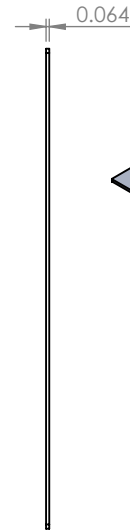
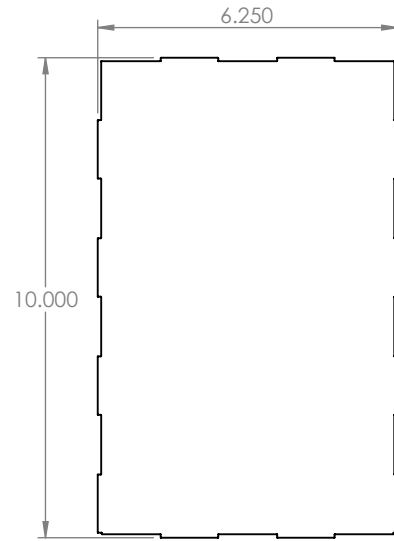
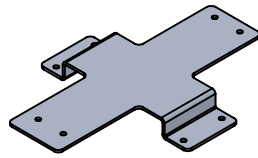
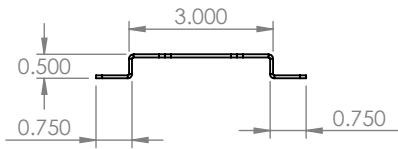
5

4

3

2

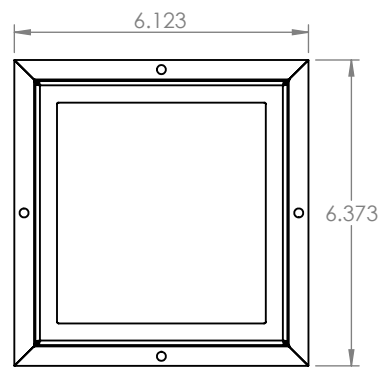
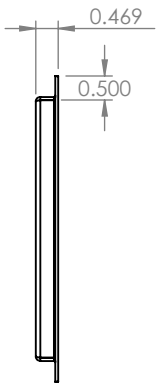
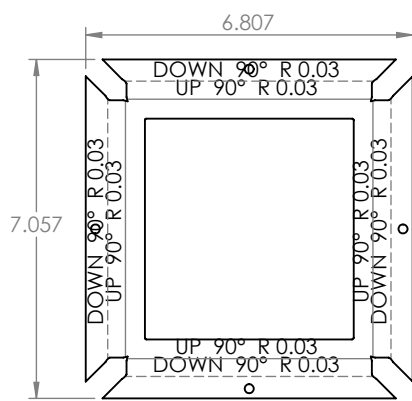
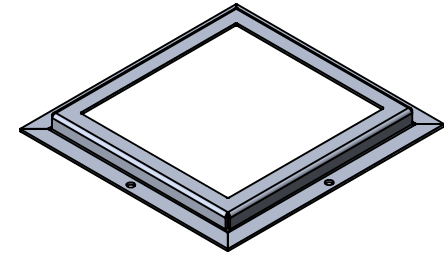
1



**PROPRIETARY AND CONFIDENTIAL**  
 THE INFORMATION CONTAINED IN THIS DRAWING IS THE SOLE PROPERTY OF <INSERT COMPANY NAME HERE>. ANY REPRODUCTION IN PART OR AS A WHOLE WITHOUT THE WRITTEN PERMISSION OF <INSERT COMPANY NAME HERE> IS PROHIBITED.

|             |         |                                      |           |      |
|-------------|---------|--------------------------------------|-----------|------|
|             |         | UNLESS OTHERWISE SPECIFIED:          | NAME      | DATE |
|             |         | DIMENSIONS ARE IN INCHES             | DRAWN     |      |
|             |         | TOLERANCES:                          | CHECKED   |      |
|             |         | FRACTIONAL ±                         | ENG APPR. |      |
|             |         | ANGULAR: MACH ± BEND ±               | MFG APPR. |      |
|             |         | TWO PLACE DECIMAL ±                  | Q.A.      |      |
|             |         | THREE PLACE DECIMAL ±                | COMMENTS: |      |
|             |         | INTERPRET GEOMETRIC TOLERANCING PER: |           |      |
|             |         | MATERIAL                             |           |      |
| NEXT ASSY   | USED ON | FINISH                               |           |      |
| APPLICATION |         | DO NOT SCALE DRAWING                 |           |      |

|                            |          |              |
|----------------------------|----------|--------------|
| ALUMINUM 0.0635"           |          |              |
| TITLE:                     |          |              |
| AC-B-36"-24W-TBR-CFA-590NM |          |              |
| SIZE                       | DWG. NO. | REV          |
| <b>A</b>                   |          |              |
| SCALE: 1:4                 | WEIGHT:  | SHEET 7 OF 9 |



**PROPRIETARY AND CONFIDENTIAL**  
 THE INFORMATION CONTAINED IN THIS DRAWING IS THE SOLE PROPERTY OF <INSERT COMPANY NAME HERE>. ANY REPRODUCTION IN PART OR AS A WHOLE WITHOUT THE WRITTEN PERMISSION OF <INSERT COMPANY NAME HERE> IS PROHIBITED.

|             |         |                                      |           |      |
|-------------|---------|--------------------------------------|-----------|------|
|             |         | UNLESS OTHERWISE SPECIFIED:          | NAME      | DATE |
|             |         | DIMENSIONS ARE IN INCHES             | DRAWN     |      |
|             |         | TOLERANCES:                          | CHECKED   |      |
|             |         | FRACTIONAL ±                         | ENG APPR. |      |
|             |         | ANGULAR: MACH ± BEND ±               | MFG APPR. |      |
|             |         | TWO PLACE DECIMAL ±                  | Q.A.      |      |
|             |         | THREE PLACE DECIMAL ±                | COMMENTS: |      |
|             |         | INTERPRET GEOMETRIC TOLERANCING PER: |           |      |
|             |         | MATERIAL                             |           |      |
|             |         | FINISH                               |           |      |
| NEXT ASSY   | USED ON |                                      |           |      |
| APPLICATION |         | DO NOT SCALE DRAWING                 |           |      |

|                            |          |              |
|----------------------------|----------|--------------|
| ALUMINUM 0.0635"           |          |              |
| TITLE:                     |          |              |
| AC-B-36"-24W-TBR-CFA-590NM |          |              |
| SIZE                       | DWG. NO. | REV          |
| <b>A</b>                   |          |              |
| SCALE: 1:4                 | WEIGHT:  | SHEET 8 OF 9 |





6.250

**ONE TO ONE REFERENCE FOR SHELL WIDTH**