

ITEM NO.	PART NUMBER	DESCRIPTION	QTY.	CUT
1	TOS-B-48"-12W-AB-WF-35K-POST TUBE	4"X4" POST 48" LENGTH	1	
2	TOS-B-48"-12W-AB-WF-35K-POST NECK	4"X4" POSRT 1" LENGTH	1	
3	TOS-B-48"-12W-AB-WF-35K-ANCHOR PLATE	ALUMINUM 0.500" PLATE	1	
4	TOS-B-48"-12W-AB-WF-35K-SQUARE CAP	ALUMINUM 0.250" PLATE	1	
5	TOS-B-48"-12W-AB-WF-35K-POST NECK BRACKET	ALUMINUM 0.250" PLATE	1	
6	TOS-B-48"-12W-AB-WF-35K-ANCHOR COVER	ALUMINUM 0.0635"	2	
7	TOS-B-48"-12W-AB-WF-35K-ANCHOR BRACKET	ALUMINUM 0.0635"	2	
8	TOS-B-48"-12W-AB-WF-35K-MAN HOLE COVER	ALUMINUM 0.0635"	1	
9	TOS-B-48"-12W-AB-WF-35K-BACKPLATE	ALUMINUM 0.0635"	1	
10	TOS-B-48"-12W-AB-WF-35K-BACKPLATE BRACKET	ALUMINUM 0.0635"	1	
11	TOS-B-48"-12W-AB-WF-35K-LED BRACKET	ALUMINUM 0.0635"	1	
12	TOS-B-48"-12W-AB-WF-35K-BODY	ALUMINUM 0.0635"	1	
13	TOS-B-48"-12W-AB-WF-35K-DOOR BRACKET	ALUMINUM 0.0635"	1	
14	TOS-B-48"-12W-AB-WF-35K-DOOR	ALUMINUM 0.0635"	1	
15	TOS-B-48"-12W-AB-WF-35K-COVER TAB	25 GAUGE	4	
16	TOS-B-48"-12W-AB-WF-35K-ACRYLIC	ACRYLIC	1	
17	KTLD-25-UV-700-VDIM-LA1	DRIVER	1	
18	Altiled PN1012 RevD	LED	4	

UNLESS OTHERWISE SPECIFIED:

DIMENSIONS ARE IN INCHES
 TOLERANCES:
 FRACTIONAL ± .003
 ANGULAR: MACH ± .01 BEND ±
 TWO PLACE DECIMAL ±
 THREE PLACE DECIMAL ± .001

INTERPRET GEOMETRIC
 TOLERANCING PER:

MATERIAL

FINISH

APPLICATION

DO NOT SCALE DRAWING

	NAME	DATE
DRAWN		
CHECKED		
ENG APPR.		
MFG APPR.		
Q.A.		
COMMENTS:		

TITLE:

TOS-B-48"-12W-AB-WF-35K

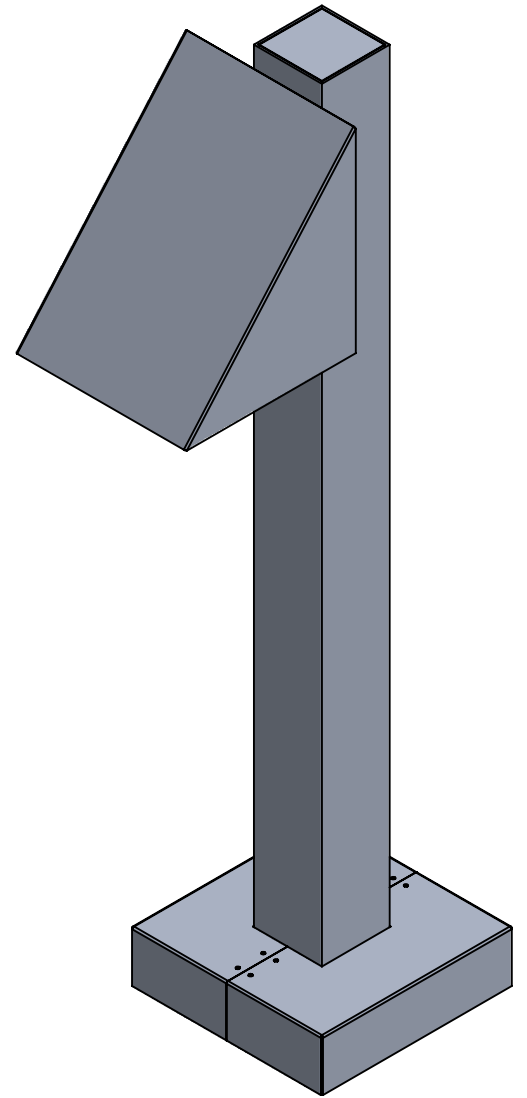
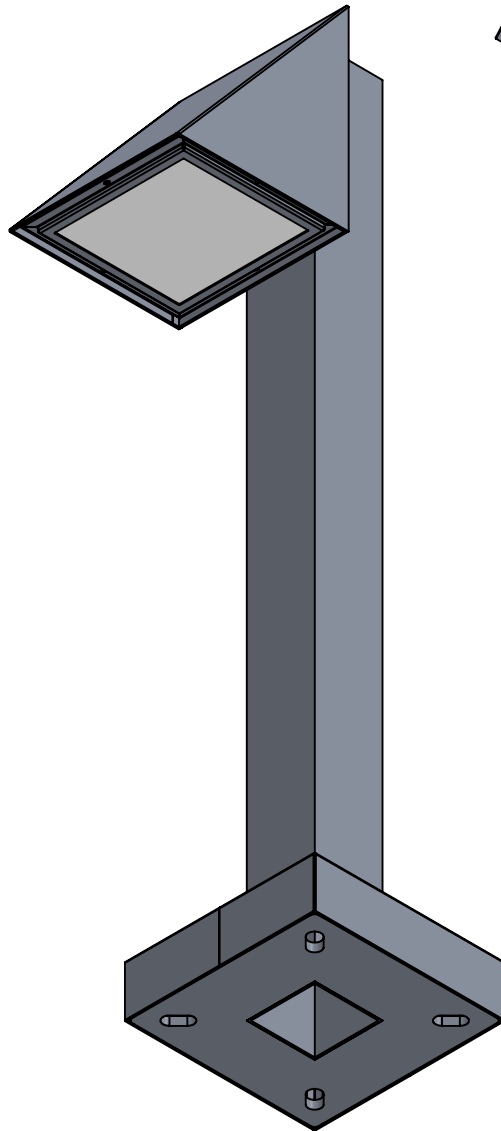
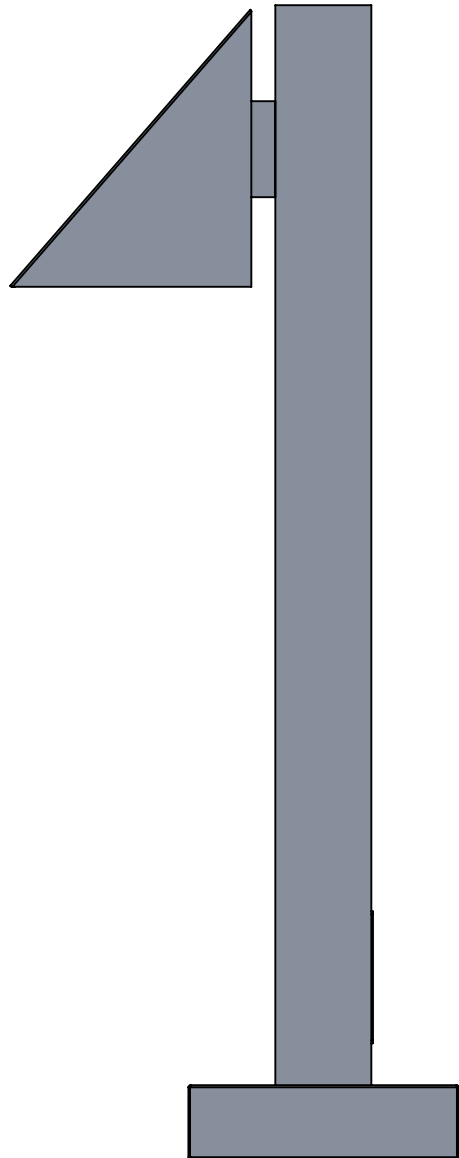
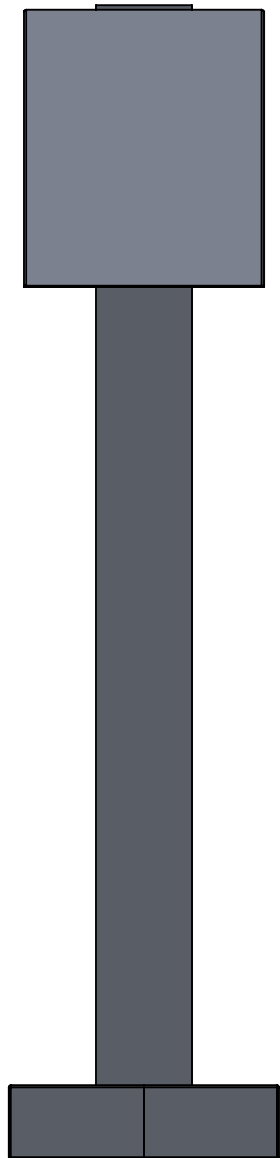
SIZE DWG. NO. REV

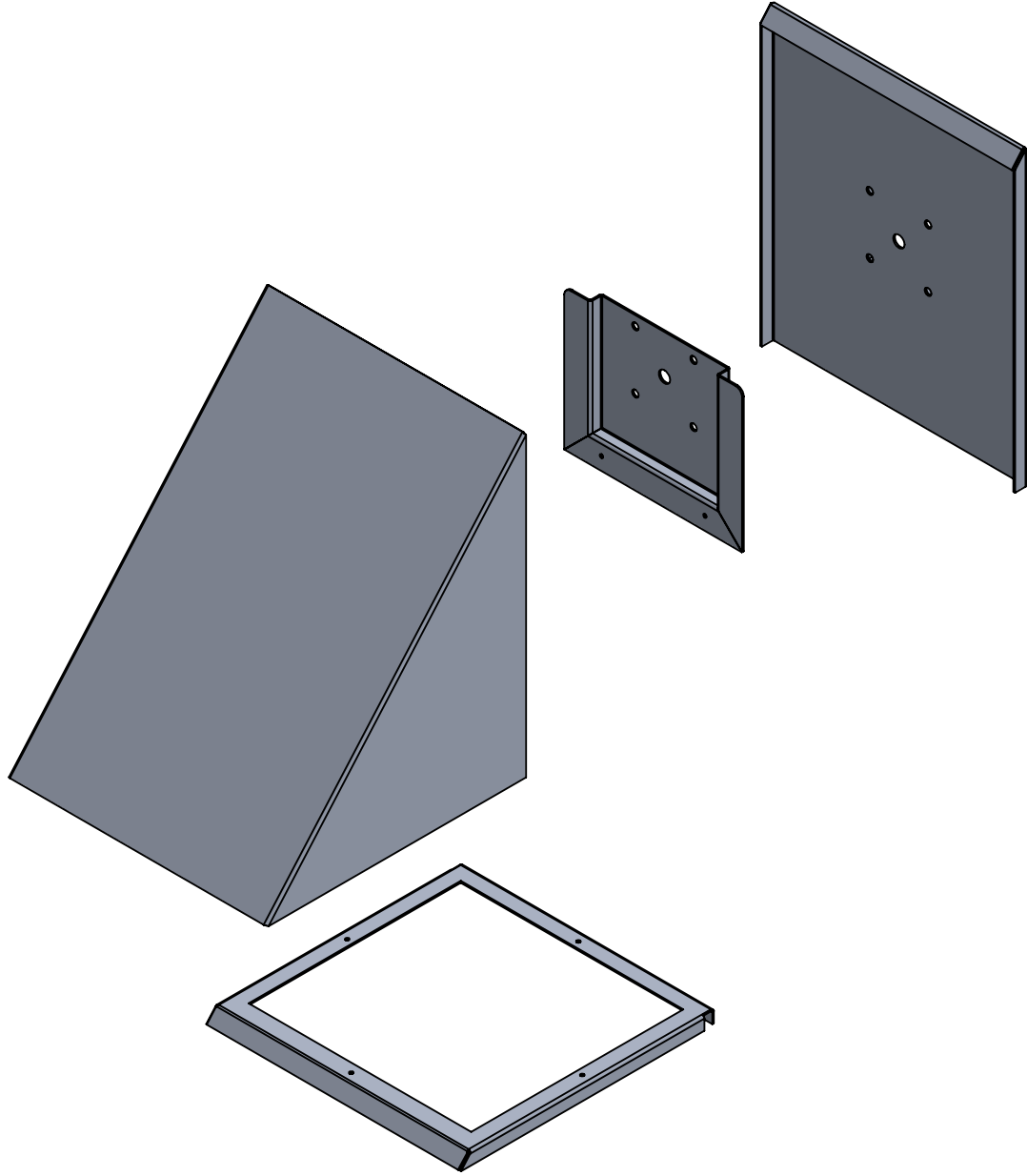
A TICKET 24352

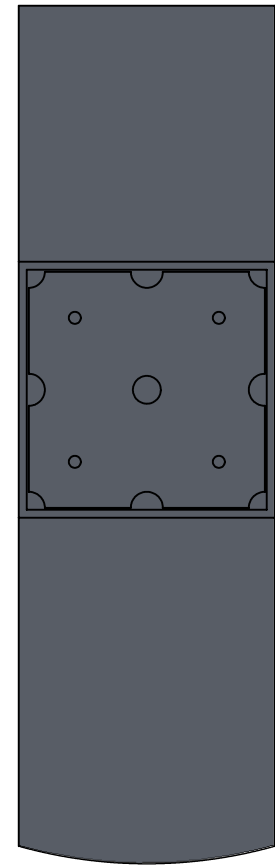
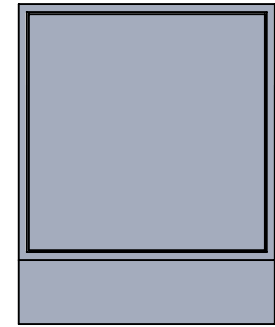
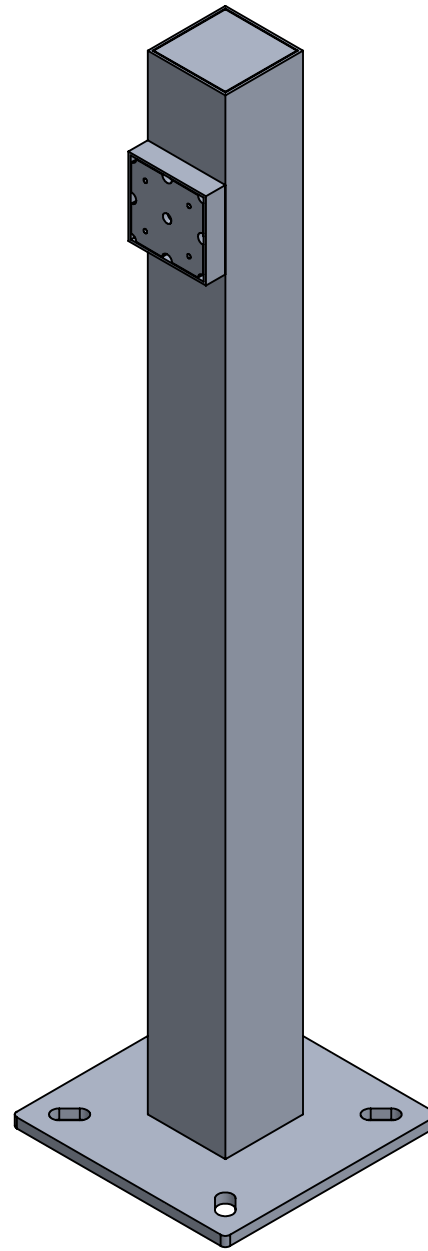
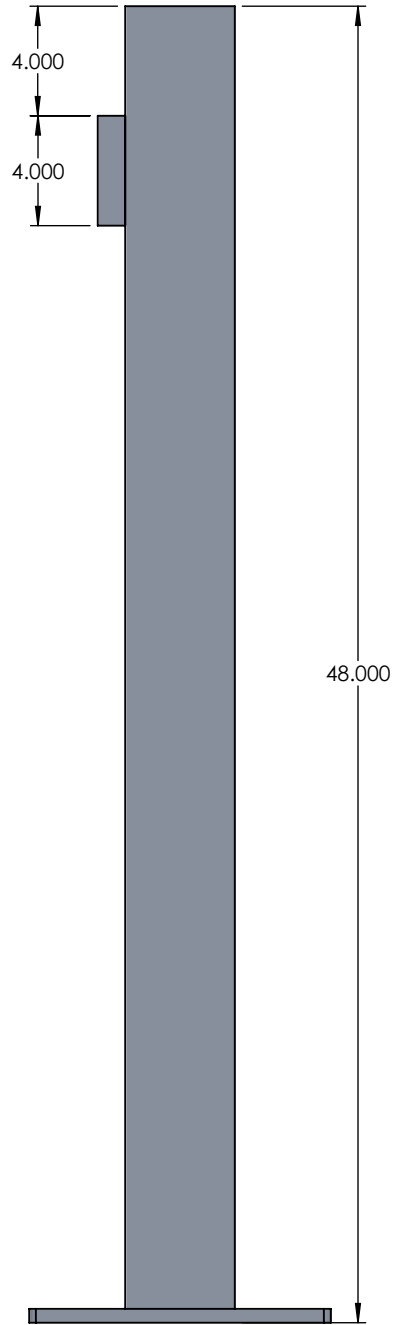
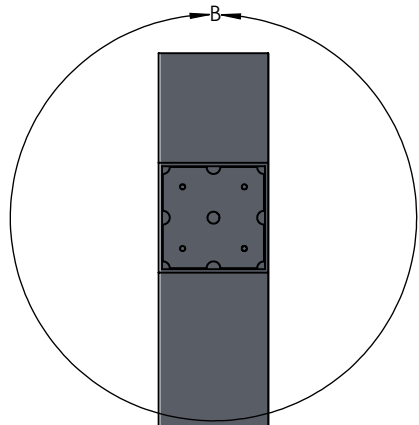
SCALE: 1:12 WEIGHT: SHEET 1 OF 11



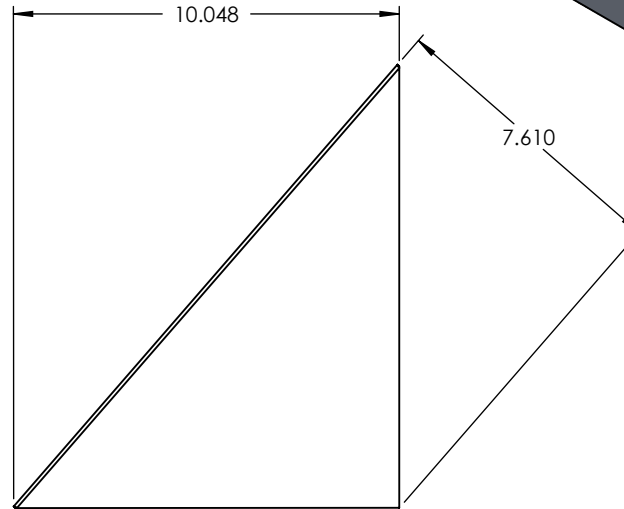
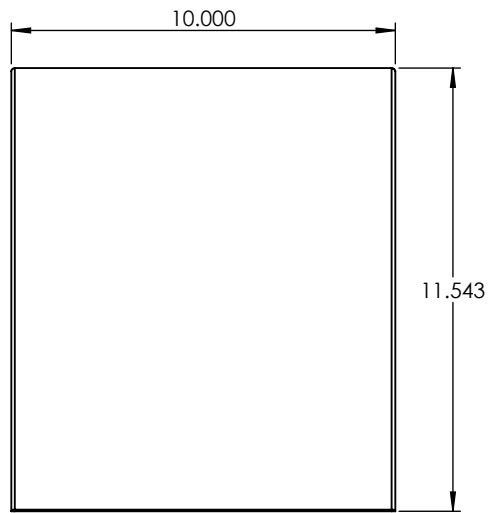
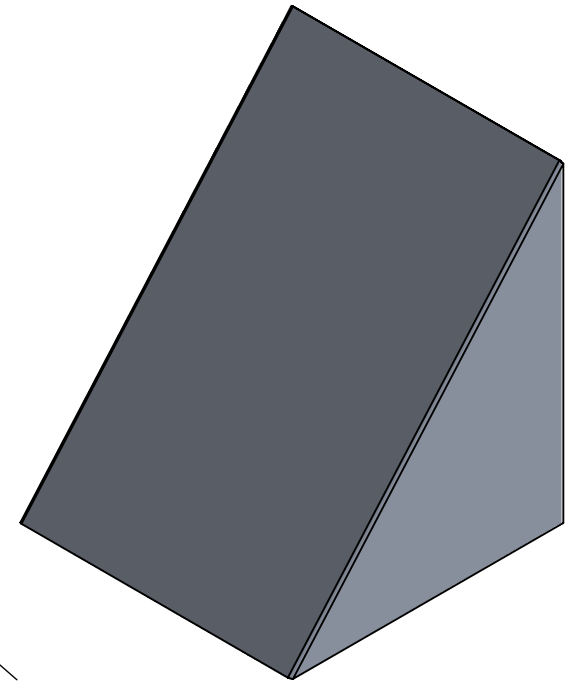
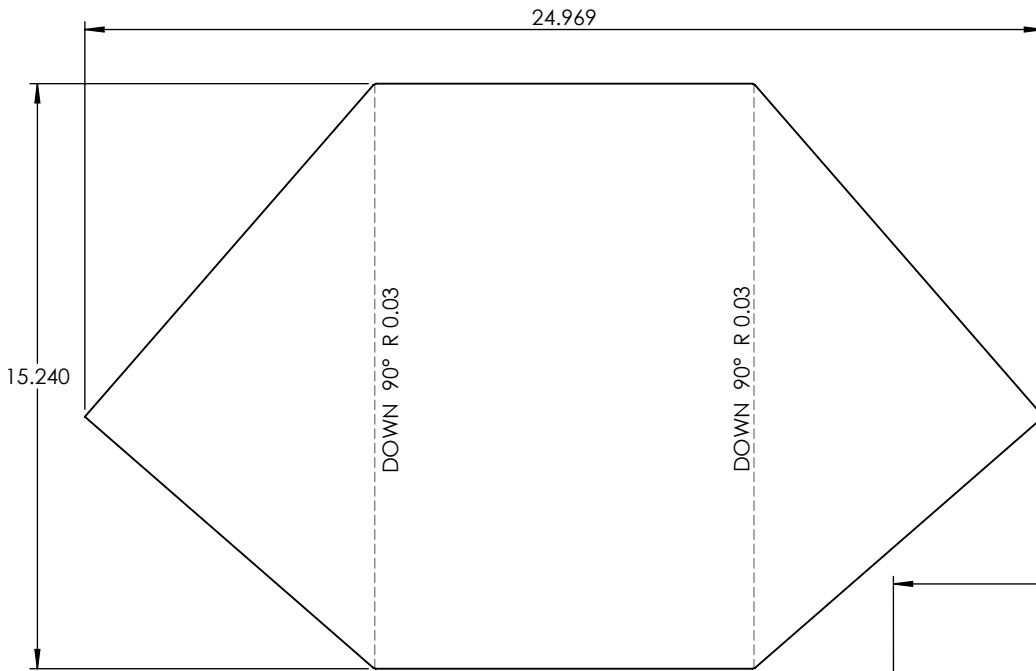
ALL BEND RADIUS .030"







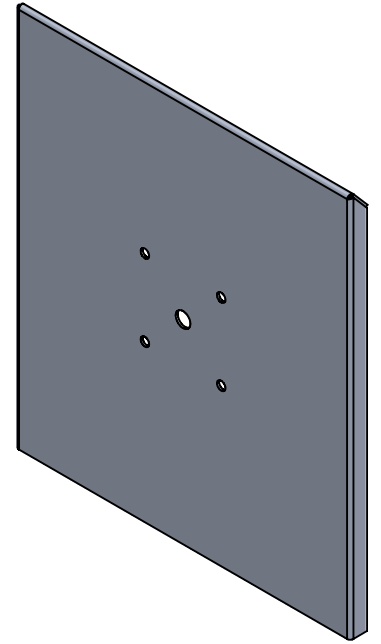
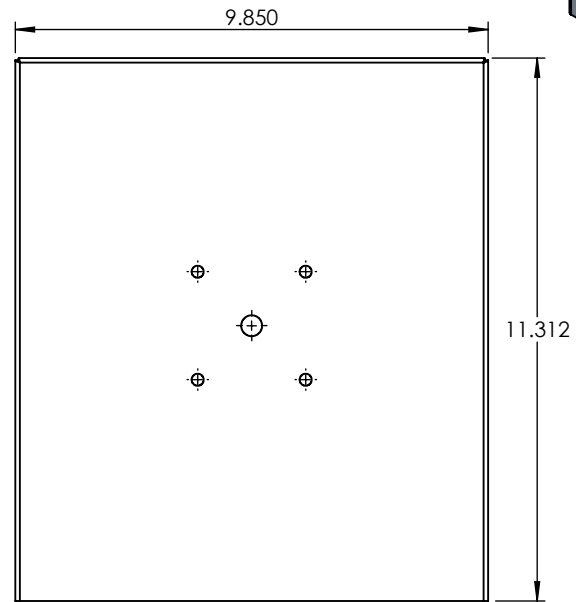
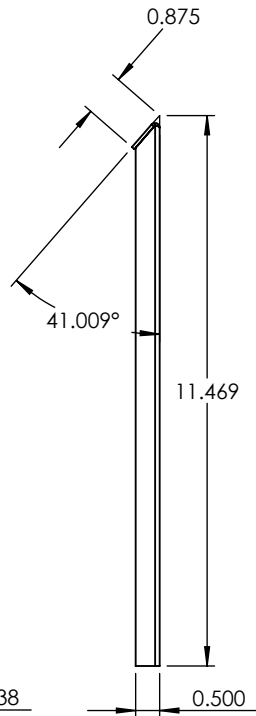
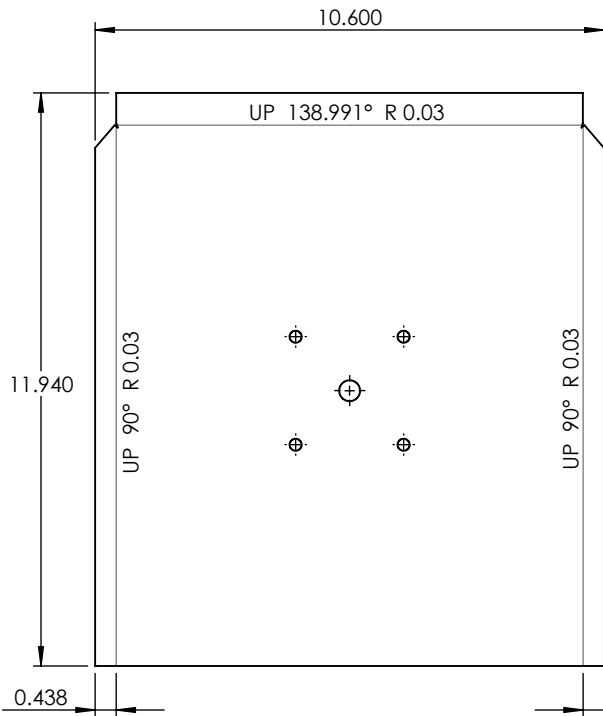
DETAIL B
SCALE 1 : 3



UNLESS OTHERWISE SPECIFIED:		NAME	DATE	ALUMINUM 0.0635"		
DIMENSIONS ARE IN INCHES		DRAWN		TITLE: TOS-B-48"-12W-AB-WF-35K		
TOLERANCES:		CHECKED				
FRACTIONAL ±		ENG APPR.				
ANGULAR: MACH ± BEND ±		MFG APPR.				
TWO PLACE DECIMAL ±		Q.A.		SIZE	DWG. NO.	REV
THREE PLACE DECIMAL ±		COMMENTS:		A		
INTERPRET GEOMETRIC TOLERANCING PER:				SCALE: 1:5	WEIGHT:	SHEET 6 OF 11
MATERIAL						
FINISH						
APPLICATION						
DO NOT SCALE DRAWING						

PROPRIETARY AND CONFIDENTIAL
 THE INFORMATION CONTAINED IN THIS DRAWING IS THE SOLE PROPERTY OF <INSERT COMPANY NAME HERE>. ANY REPRODUCTION IN PART OR AS A WHOLE WITHOUT THE WRITTEN PERMISSION OF <INSERT COMPANY NAME HERE> IS PROHIBITED.

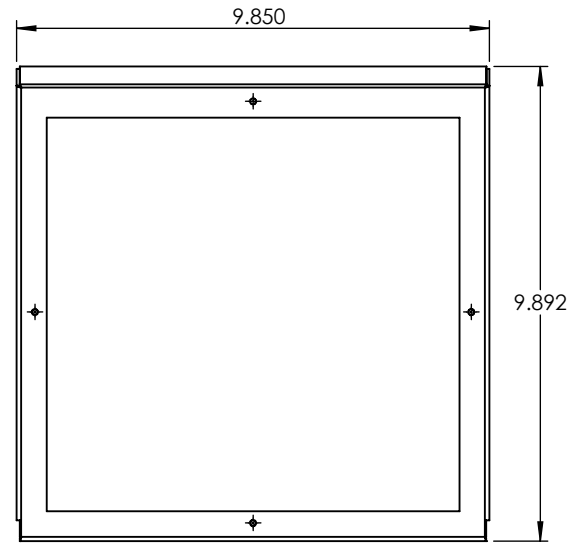
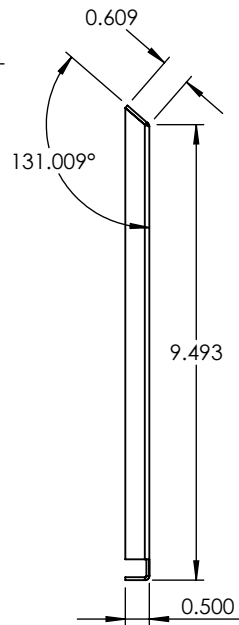
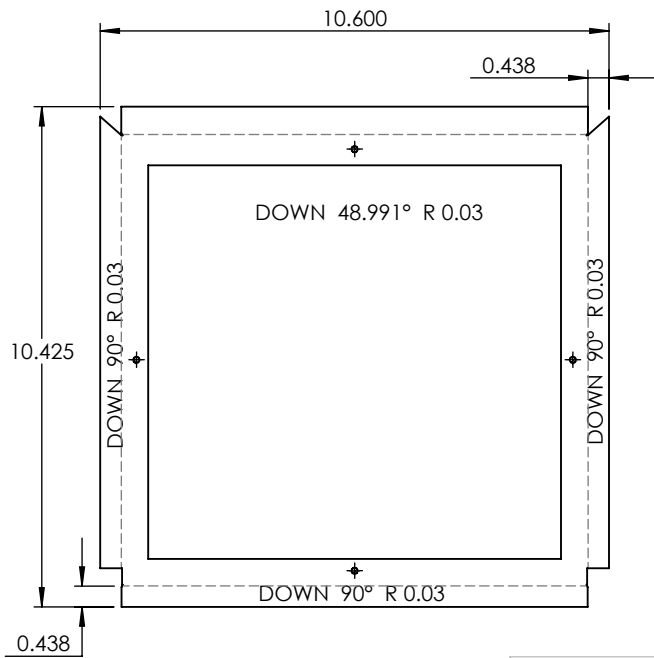
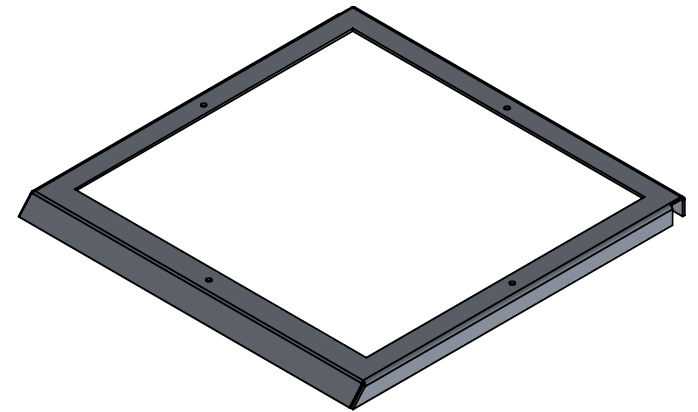
NEXT ASSY	USED ON
APPLICATION	
DO NOT SCALE DRAWING	



PROPRIETARY AND CONFIDENTIAL
 THE INFORMATION CONTAINED IN THIS DRAWING IS THE SOLE PROPERTY OF <INSERT COMPANY NAME HERE>. ANY REPRODUCTION IN PART OR AS A WHOLE WITHOUT THE WRITTEN PERMISSION OF <INSERT COMPANY NAME HERE> IS PROHIBITED.

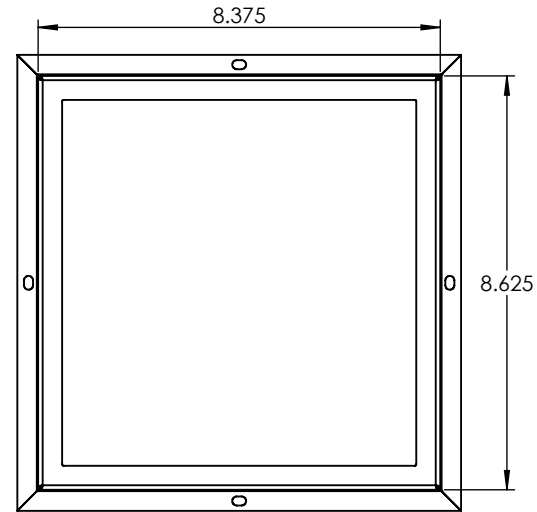
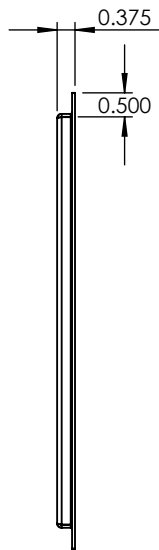
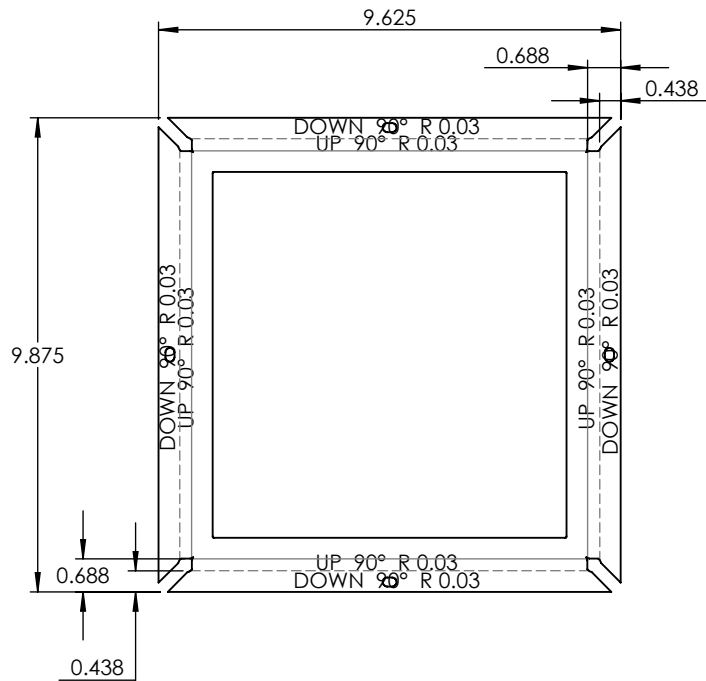
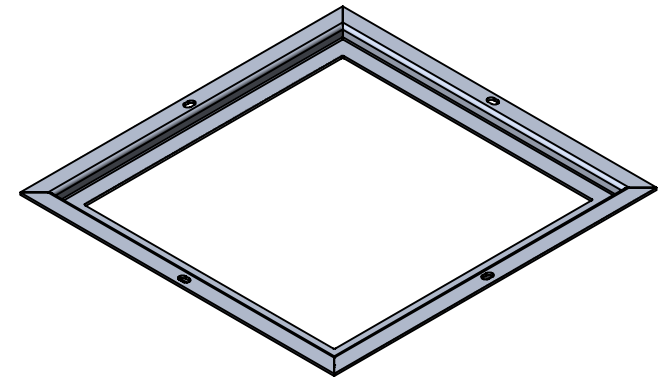
		UNLESS OTHERWISE SPECIFIED:	NAME	DATE
		DIMENSIONS ARE IN INCHES	DRAWN	
		TOLERANCES:	CHECKED	
		FRACTIONAL ±	ENG APPR.	
		ANGULAR: MACH ± BEND ±	MFG APPR.	
		TWO PLACE DECIMAL ±	Q.A.	
		THREE PLACE DECIMAL ±	COMMENTS:	
		INTERPRET GEOMETRIC TOLERANCING PER:		
		MATERIAL		
NEXT ASSY	USED ON	FINISH		
APPLICATION		DO NOT SCALE DRAWING		

ALUMINUM 0.0635"		
TITLE:		
TOS-B-48"-12W-AB-WF-35K		
SIZE	DWG. NO.	REV
A		
SCALE: 1:4	WEIGHT:	SHEET 7 OF 11



PROPRIETARY AND CONFIDENTIAL
 THE INFORMATION CONTAINED IN THIS DRAWING IS THE SOLE PROPERTY OF <INSERT COMPANY NAME HERE>. ANY REPRODUCTION IN PART OR AS A WHOLE WITHOUT THE WRITTEN PERMISSION OF <INSERT COMPANY NAME HERE> IS PROHIBITED.

		UNLESS OTHERWISE SPECIFIED:	NAME	DATE	ALUMINUM 0.0635"	
		DIMENSIONS ARE IN INCHES	DRAWN		TITLE: TOS-B-48"-12W-AB-WF-35K	
		TOLERANCES:	CHECKED			
		FRACTIONAL ±	ENG APPR.			
		ANGULAR: MACH ± BEND ±	MFG APPR.			
		TWO PLACE DECIMAL ±	Q.A.		SIZE DWG. NO. REV	
		THREE PLACE DECIMAL ±	COMMENTS:		SCALE: 1:4 WEIGHT: SHEET 8 OF 11	
		INTERPRET GEOMETRIC TOLERANCING PER:				
		MATERIAL				
		FINISH				
NEXT ASSY	USED ON					
APPLICATION		DO NOT SCALE DRAWING				



PROPRIETARY AND CONFIDENTIAL
 THE INFORMATION CONTAINED IN THIS DRAWING IS THE SOLE PROPERTY OF <INSERT COMPANY NAME HERE>. ANY REPRODUCTION IN PART OR AS A WHOLE WITHOUT THE WRITTEN PERMISSION OF <INSERT COMPANY NAME HERE> IS PROHIBITED.

		UNLESS OTHERWISE SPECIFIED:	NAME	DATE	ALUMINUM 0.0635"	
		DIMENSIONS ARE IN INCHES	DRAWN		TITLE: TOS-B-48"-12W-AB-WF-35K	
		TOLERANCES:	CHECKED			
		FRACTIONAL ±	ENG APPR.			
		ANGULAR: MACH ± BEND ±	MFG APPR.			
		TWO PLACE DECIMAL ±	Q.A.		SIZE DWG. NO. REV	
		THREE PLACE DECIMAL ±	COMMENTS:		SCALE: 1:4 WEIGHT: SHEET 9 OF 11	
		INTERPRET GEOMETRIC TOLERANCING PER:				
		MATERIAL				
		FINISH				
NEXT ASSY	USED ON	APPLICATION				
		DO NOT SCALE DRAWING				

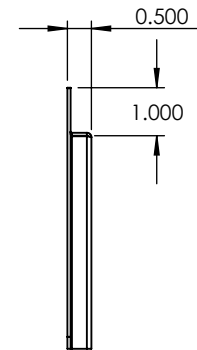
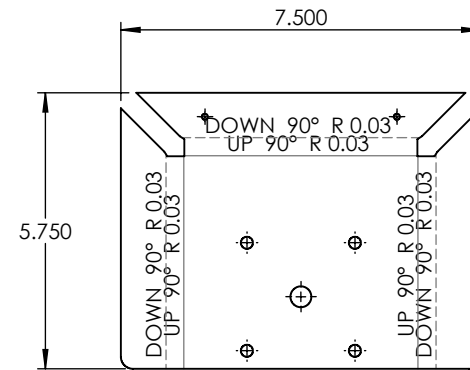
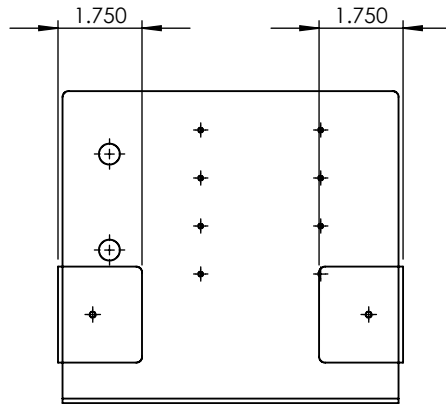
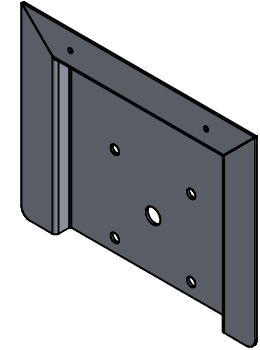
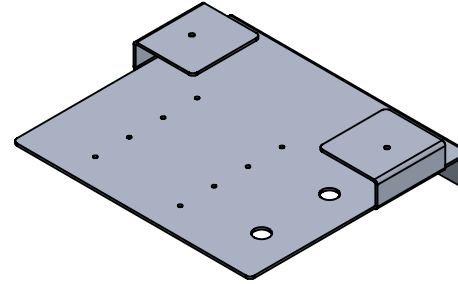
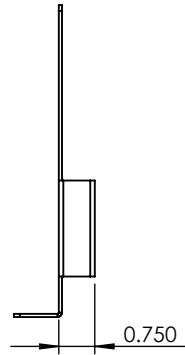
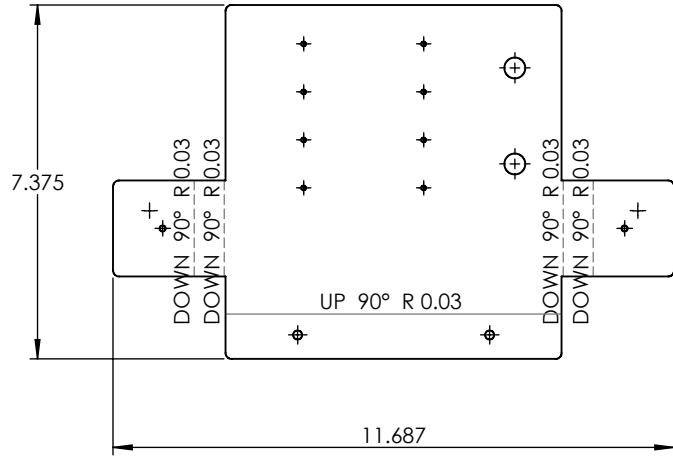
5

4

3

2

1



PROPRIETARY AND CONFIDENTIAL
 THE INFORMATION CONTAINED IN THIS DRAWING IS THE SOLE PROPERTY OF <INSERT COMPANY NAME HERE>. ANY REPRODUCTION IN PART OR AS A WHOLE WITHOUT THE WRITTEN PERMISSION OF <INSERT COMPANY NAME HERE> IS PROHIBITED.

		UNLESS OTHERWISE SPECIFIED:	NAME	DATE	ALUMINUM 0.0635"	
		DIMENSIONS ARE IN INCHES TOLERANCES: FRACTIONAL ± ANGULAR: MACH ± BEND ± TWO PLACE DECIMAL ± THREE PLACE DECIMAL ±	DRAWN		TITLE:	
		INTERPRET GEOMETRIC TOLERANCING PER:	CHECKED		TOS-B-48"-12W-AB-WF-35K	
		MATERIAL	ENG APPR.		SIZE	DWG. NO.
		FINISH	MFG APPR.		A	REV
NEXT ASSY	USED ON		Q.A.		SCALE: 1:4	WEIGHT:
APPLICATION		DO NOT SCALE DRAWING	COMMENTS:		SHEET 10 OF 11	

