



## Colonnade Bollard

BOLLARD

*Meets all BAA and BABA  
Made in USA Requirements*



### Physical Data

Width - 6"

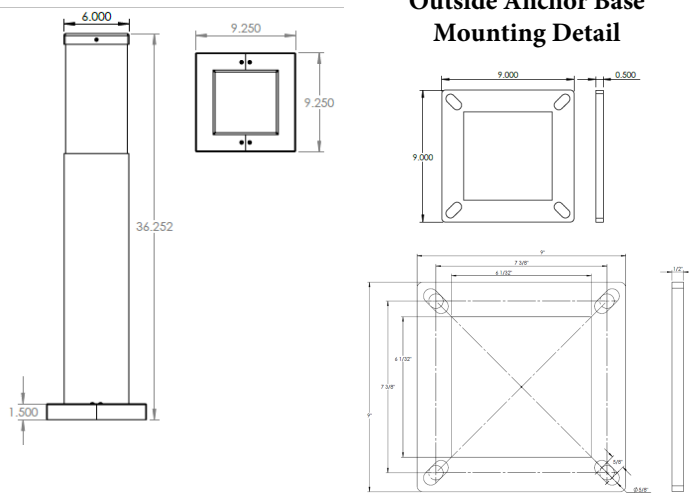
Height - 36"

Weight - 28 lbs

IP65 Suitable For Wet Locations  
Impact Resistant (Vandal Resistant)

Square Bollard Design with Directional LED components. Multiple sizes available to your projects specific needs. Designed for effective lighting of landscapes, pathways, and open spaces. Continuing with Evergreens promise to make all products out of the highest quality American Made Materials for All Industries.

### Outside Anchor Base Mounting Detail



Zoom Template to 600%

#### Extruded Aluminum

Extruded Aluminum Tube 6061 from USA Mills. Diecut, Capped and welded for maximum strength and durability. 1/8" thick aluminum wall construction with outside mounting baseplate laser cut for 4 galvanized steel anchor bolts 3/8" x 12" long.

#### Pre Paint

8 step degreasing with phosphoric acid deoxidizing and etching as well as a zinc and nickel phosphate process before product painting.

#### Sealed for Wet Locations

Provided with special interior welded watertight seams along with specific "fit for purpose" long life high temperature memory retentive silicon gaskets.

#### Thermal Management

6061 Extruded Aluminum is used for its excellent mechanical strength and thermal dissipation properties in low and high ambient temperatures. The superior thermal heat sink design by Evergreen used in conjunction with the driver controls thermals below critical temperature range to ensure maximum luminous flux output, as well as providing long LED service life and ensuring less than 10% lumen depreciation at 50,000 hours.

#### Driver

Options Available are Standard 120/277 volt, 0-10V Dimming for 120/277 volt, or Phase Dimming for 120 volt only

#### Finishing

All Evergreen Products go through an extensive inspection for pre-finishing prep to make sure all metal is clean and free of any defects.

#### Paint

UV Stabilized 4.9Mil thick powdercoat paint and backed at 400 degree F. This process ensures that Evergreen products can withstand harsh environments. Rated for use in High Impact environments.

#### Hardware

Provided Hardware is Galvanized Steel 3/8 X 12" Long Anchor Bolts complete with Washers and Nuts.

#### Regressed Screw Holes

Tapped holes are threaded with a special aluminum Tap Tool designed to prevent the regressed Flat Head screws from stripping out or being tightened flush with the bollard body.

#### High Impact Acrylic Lens

Manufactured with Ultra High Impact, Naturally UV Stabilized Virgin Acrylic.

#### Optics & LED

Precise optic design provides exceptional light control and precise distribution of light. LED CRI - 90

#### Lumen - Maintenance Life

L80 / B10 at 50,000 hours (This means that at least 90% of the LED still achieve 80% of their original flux)

### Standard Options

Lamp	Finish Powdercoat Color	Acrylic Lens	LED Color	Options (Adder)	
24w LED	AB - Architectural Bronze TBR - Textured Bronze ORB - Oil Rubbed Bronze MBK - Matte Black TBK - Textured Black GBK - Semi Gloss Black TR - Textured Rust MW - Matte White GW - Gloss White	TW - Textured White MG - Metallic Grey MN - Metallic Nickel SB - Satin Brass CH - Chrome TVP - Textured Verde Patina GV - Gold Vein CV - Copper Vein SV - Silver Vein	WF - White Frosted CA - Clear CFA - Clear Frosted	27K - 2700K 30K - 3000K 35K - 3500K 41K - 4100K 50K - 5000K	EM - Emergency Battery Backup MS - Motion Sensor GFCI - GFI Receptacle & Cover DIM - 0-10V Dimming PDIM - Phase 2 Wire Dimming (120 volt only) 590 - 590nm LED chips (Turtle) CSM - Custom Modifications CBPLT - Custom Baseplate

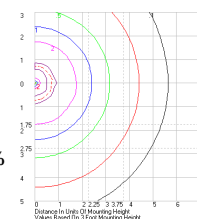
Ordering Example: COL-B-36-24W-MBK-CFA-35K-OPTION

### PERFORMANCE

Model	Lamp	Finish	Lens	LED Color	Options
<input type="text"/>	<input type="text"/>	<input type="text"/>	<input type="text"/>	<input type="text"/>	<input type="text"/>

Delivered Lumens - 1653  
Type V Distribution  
Bug Rating B1-U4-G1

Zoom ISO to 600%



PROJECT:  DATE:  QUANTITY:

TYPE:  NOTE:

Head Office:  
1379 Ridgeway Street  
Pomona, CA 91768

Tel: 909-865-5599  
Fax: 909-865-5539

[www.evergreenlighting.com](http://www.evergreenlighting.com)



Intertek

