



**Orion Concrete Round Bollard**

BOLLARD

*Meets all BAA and BABA  
Made in USA Requirements*



**Physical Data**

Width - 18"

Height - 42"

Weight - 174 lbs

IP65 Suitable For Wet Locations  
Impact Resistant (Vandal Resistant)

Orion Concrete Round Bollard Design with LED components. Multiple sizes available to your projects specific needs. Designed for effective lighting of landscapes, pathways, and open spaces. Continuing with Evergreens promise to make all products out of the highest quality American Made Materials for All Industries.

**Fabricated Concrete & Aluminum**

Fabricated Aluminum 5052-H32 from USA Mills. Diecut, Capped and welded for maximum strength and durability. .125" thick aluminum with Concrete construction with outside mounting baseplate laser cut for 4 galvanized steel straight anchor bolts 1" X 19" long.

**Pre Paint**

8 step degreasing with phosphoric acid deoxidizing and etching as well as a zinc and nickel phosphate process before product painting.

**Sealed for Wet Locations**

Provided with special interior welded watertight seams along with specific "fit for purpose" long life high temperature memory retentive silicon gaskets.

**Thermal Management**

5052-H32 Aluminum is used for its excellent mechanical strength and thermal dissipation properties in low and high ambient temperatures. The superior thermal heat sink design by Evergreen used in conjunction with the driver controls thermals below critical temperature range to ensure maximum luminous flux output, as well as providing long LED service life and ensuring less than 10% lumen depreciation at 50,000 hours.

**Driver**

Options Available are Standard 120/277 volt, 0-10V Dimming for 120/277 volt, or Phase Dimming for 120 volt only

**Finishing**

All Evergreen Products go through an extensive inspection for pre-finishing prep to make sure all metal is clean and free of any defects.

**Paint**

UV Stabilized 4.9Mil thick powdercoat paint and backed at 400 degree F. This process ensures that Evergreen products can withstand harsh environments. Rated for use in High Impact environments.

**Hardware.**

Provided Hardware is Galvanized Steel 1" Long Straight Anchor Bolts complete with Washers and Nuts.

**Regressed Screw Holes**

Tapped holes are threaded with a special aluminum Tap Tool designed to prevent the regressed Flat Head screws from stripping out or being tightened flush with the bollard body.

**High Impact Acrylic Lens.**

Manufactured with Ultra High Impact, Naturally UV Stabilized Virgin Acrylic.

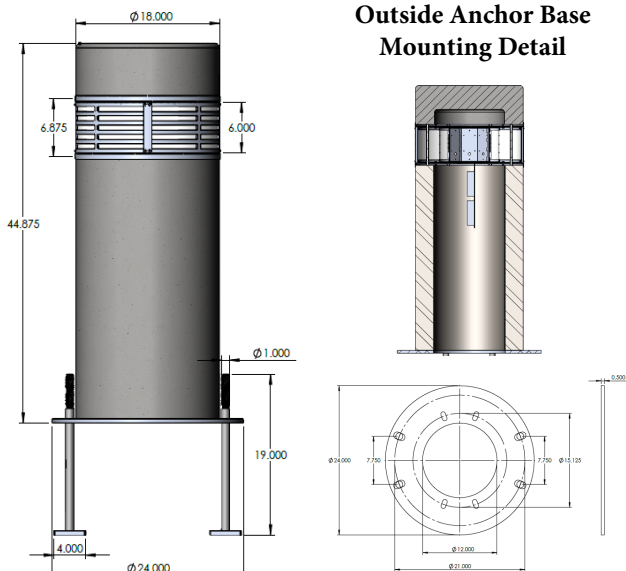
**Optics & LED**

Precise optic design provides exceptional light control and precise distribution of light. LED CRI - 90

**Lumen - Maintenance Life**

L80 / B10 at 50,000 hours (This means that at least 90% of the LED still achieve 80% of their original flux)

**Outside Anchor Base Mounting Detail**



Zoom Template to 600%

**Standard Options**

<b>Lamp</b>	<b>Finish Powdercoat Color</b>	<b>Acrylic Lens</b>	<b>LED Color</b>	<b>Options (Adder)</b>
72w LED	AB - Architectural Bronze TBR - Textured Bronze ORB - Oil Rubbed Bronze MBK - Matte Black TBK - Textured Black GBK - Semi Gloss Black TR - Textured Rust MW - Matte White GW - Gloss White	TW - Textured White MG - Metallic Grey MN - Metallic Nickel SB - Satin Brass CH - Chrome TVP - Textured Verde Patina GV - Gold Vein CV - Copper Vein SV - Silver Vein	WF - White Frosted CA - Clear CFA - Clear Frosted 27K - 2700K 30K - 3000K 35K - 3500K 41K - 4100K 50K - 5000K	EM - Emergency Battery Backup MS - Motion Sensor GFCI - GFI Receptacle & Cover DIM - 0-10V Dimming PDIM - Phase 2 Wire Dimming (120 volt only) 590 - 590nm LED chips (Turtle) CSM - Custom Modifications CBPLT - Custom Baseplate

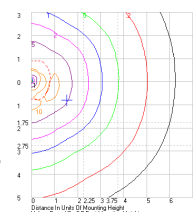
Ordering Example: OR-10-42-18-L72-MV-L-W2-DB-1-3-NL-OPTION

**PERFORMANCE**

Model	Lamp	Finish	Lens	LED Color	Options
<input type="text"/>	<input type="text"/>	<input type="text"/>	<input type="text"/>	<input type="text"/>	<input type="text"/>

Delivered Lumens - 2487  
Type VS Distribution  
Bug Rating B1-U3-G2

Zoom ISO to 600%



PROJECT:

DATE:

QUANTITY:

TYPE:

NOTE:

Head Office:  
1379 Ridgeway Street  
Pomoma, CA 91768

Tel: 909-865-5599  
Fax: 909-865-5539

[www.evergreenlighting.com](http://www.evergreenlighting.com)



Intertek

