

ITEM NO.	PART NUMBER	DESCRIPTION	QTY.	CUT
1	VEN-11M-32-8-L24-4-3-TBR-30K-TUBE BODY	6" ALUMINUM POST 5.5" LENGTH	1	
2	VEN-11M-32-8-L24-4-3-TBR-30K-SPUN LENS CAP	SPUN ALUMINUM 0.080"	2	
3	VEN-11M-32-8-L24-4-3-TBR-30K-FIREPLATE	ALUMINUM 0.125" PLATE	1	
4	VEN-11M-32-8-L24-4-3-TBR-30K-HEAD BASE PLATE	ALUMINUM 0.125" PLATE	1	
5	VEN-11M-32-8-L24-4-3-TBR-30K-PYRAMID CAP PLATE	ALUMINUM 0.250" PLATE	1	
6	VEN-11M-32-8-L24-4-3-TBR-30K-PYRAMID CAP	ALUMINUM 0.0635"	1	
7	VEN-11M-32-8-L24-4-3-TBR-30K-HEAD BASE	ALUMINUM 0.0635"	1	
8	VEN-11M-32-8-L24-4-3-TBR-30K-LOUVER	ALUMINUM 0.0635"	5	
9	VEN-11M-32-8-L24-4-3-TBR-30K-TUBE BRACKET	ALUMINUM 0.0635"	1	
10	VEN-11M-32-8-L24-4-3-TBR-30K-DRIVER BRACKET	ALUMINUM 0.0635"	1	
11	VEN-11M-32-8-L24-4-3-TBR-30K-THREADED ROD	3/8" THREADED ROD	4	
12	VEN-11M-32-8-L24-4-3-TBR-30K-0.500" ROUND TUBE	1/2" ALUMINUM TUBE	16	
13	VEN-11M-32-8-L24-4-3-TBR-30K-0.500" ROUND TUBE	1/2" ALUMINUM TUBE	4	
14	VEN-11M-32-8-L24-4-3-TBR-30K-0.500" ROUND TUBE	1/2" ALUMINUM TUBE	4	
15	VEN-11M-32-8-L24-4-3-TBR-30K-SQUARE TUBE	1" SQUARE ALUMINUM TUBE	1	
16	VEN-11M-32-8-L24-4-3-TBR-30K-ACRYLIC	ACRYLIC	1	
17	ESPEN VEL29070MVH-1	DRIVER	1	
18	AltIILED_PN1011_RevB	LED	4	

UNLESS OTHERWISE SPECIFIED:

DIMENSIONS ARE IN INCHES
 TOLERANCES:
 FRACTIONAL ± .003
 ANGULAR: MACH ± .01 BEND ±
 TWO PLACE DECIMAL ±
 THREE PLACE DECIMAL ± .001

INTERPRET GEOMETRIC
 TOLERANCING PER:

MATERIAL

FINISH

NAME DATE

DRAWN

CHECKED

ENG APPR.

MFG APPR.

Q.A.

COMMENTS:

TITLE:

VEN-11M-32-8-L24-4-3-TBR-30K

SIZE DWG. NO. REV

A TICKET 25792

SCALE: 1:10 WEIGHT: SHEET 1 OF 11



ALL BEND RADIUS .030"

APPLICATION

DO NOT SCALE DRAWING

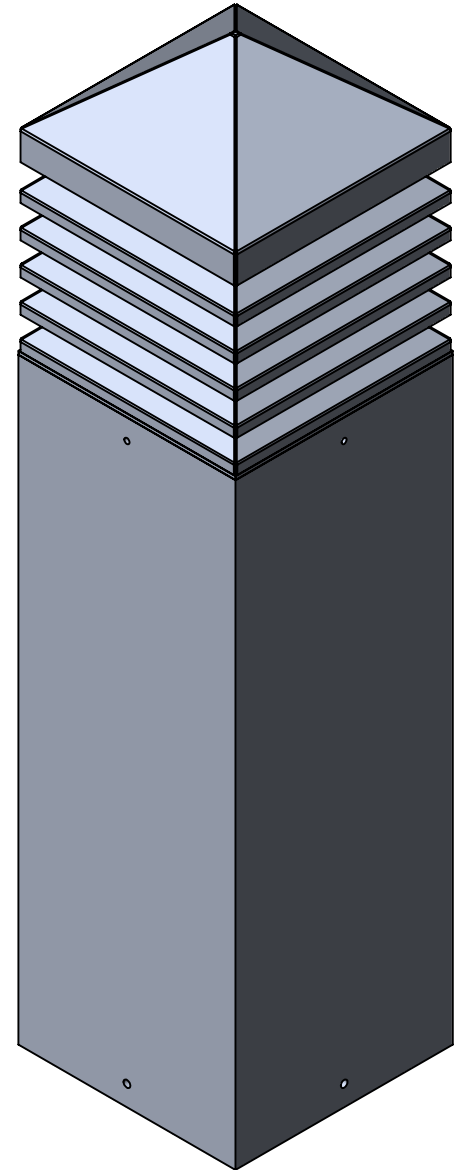
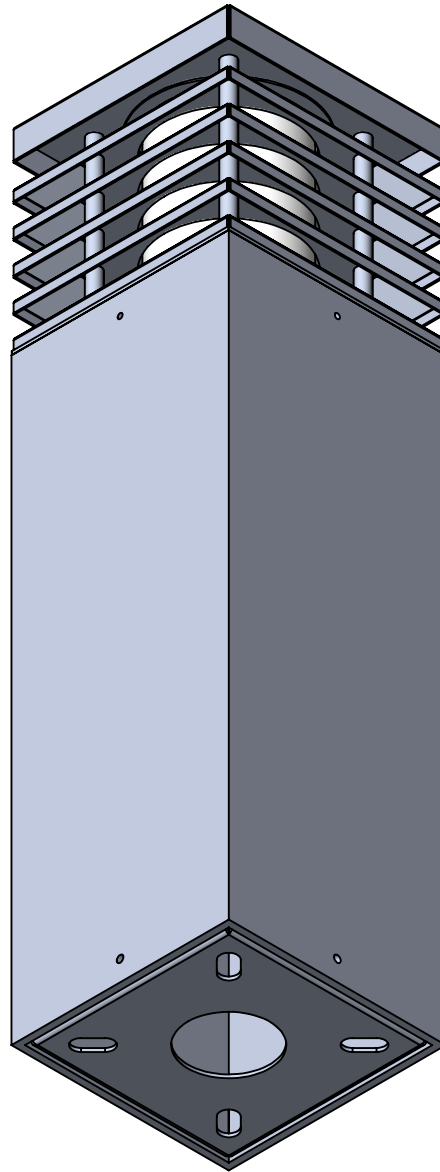
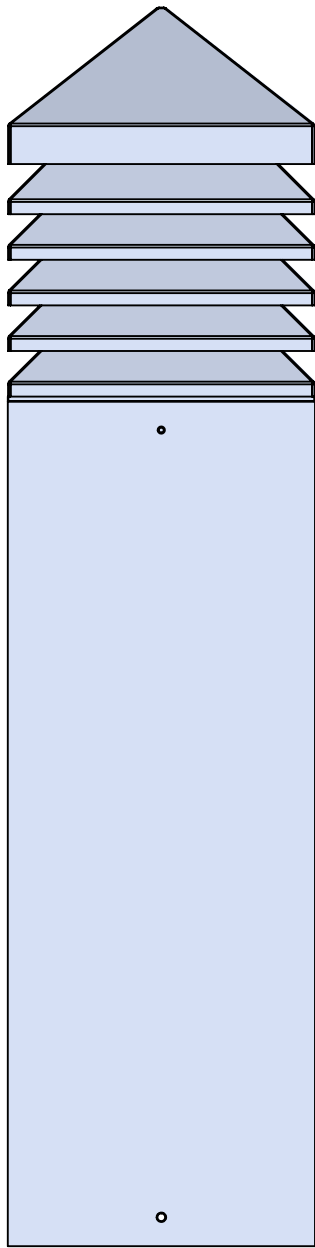
5

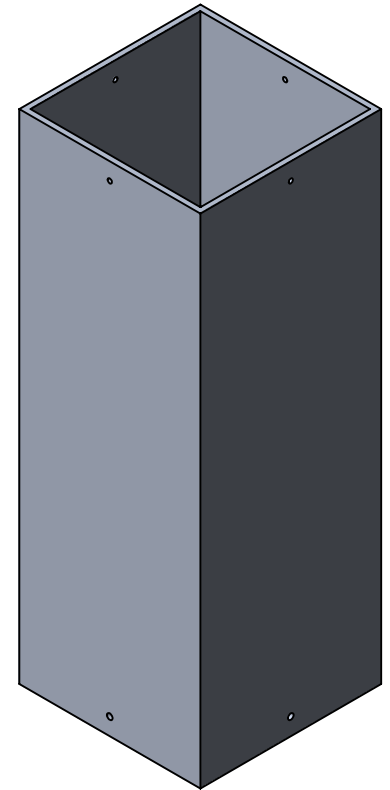
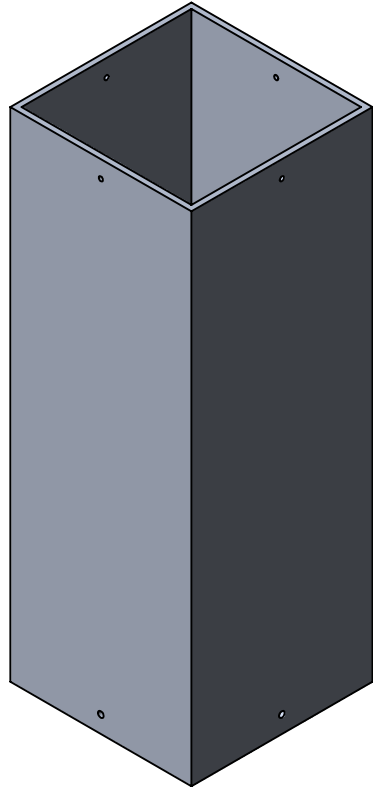
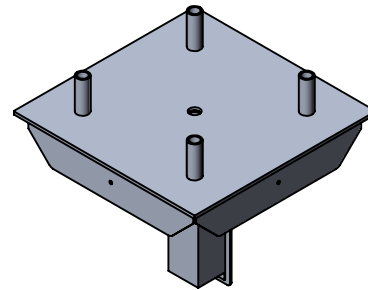
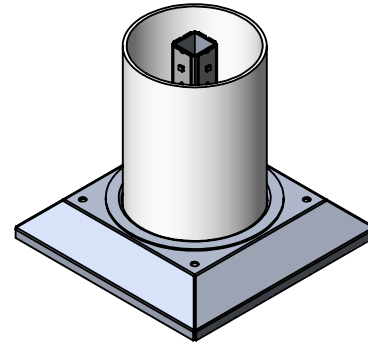
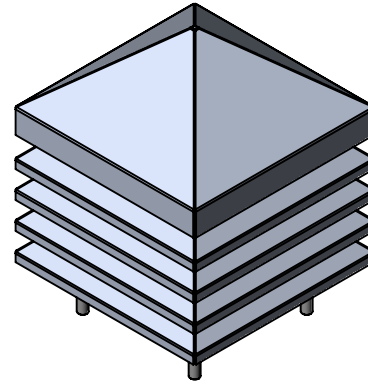
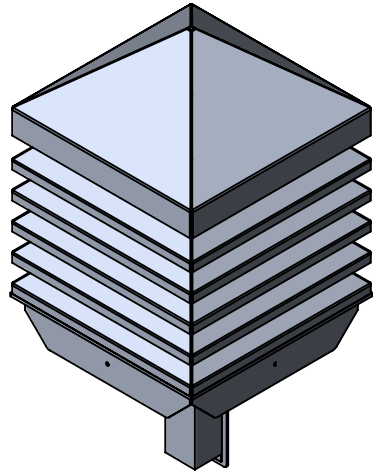
4

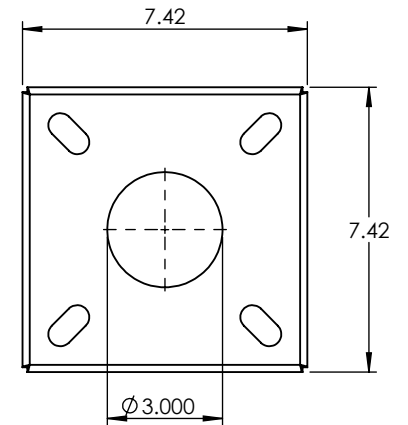
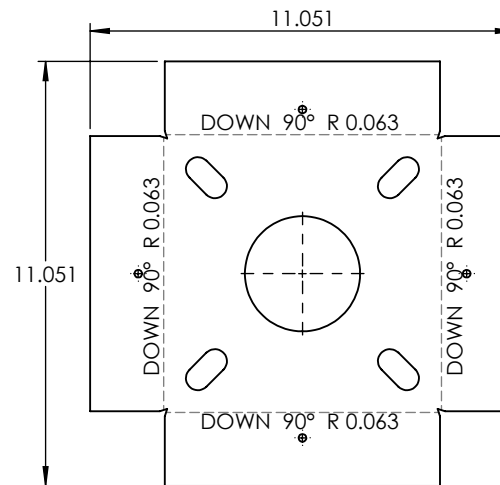
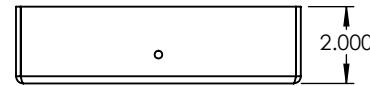
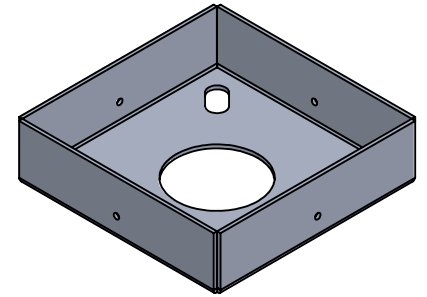
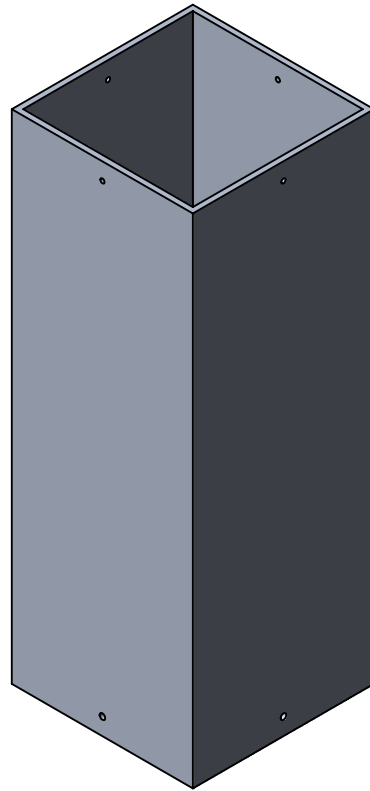
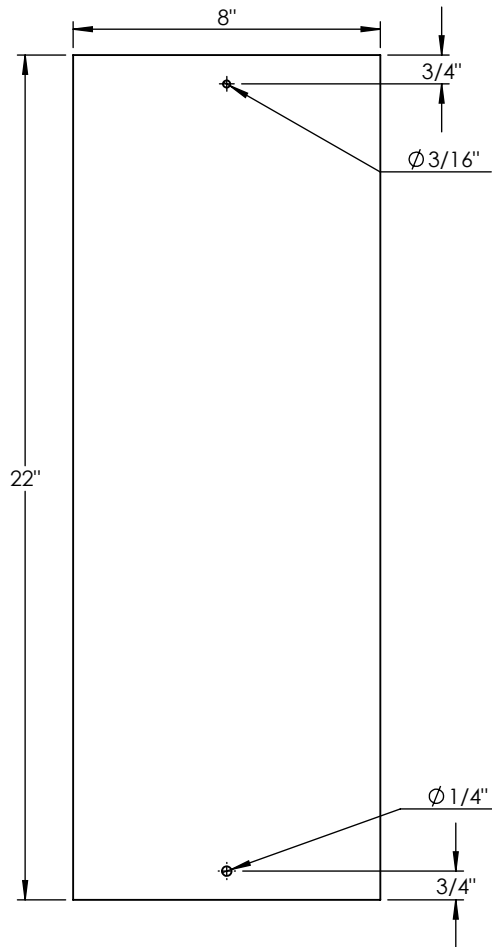
3

2

1







PROPRIETARY AND CONFIDENTIAL
 THE INFORMATION CONTAINED IN THIS DRAWING IS THE SOLE PROPERTY OF <INSERT COMPANY NAME HERE>. ANY REPRODUCTION IN PART OR AS A WHOLE WITHOUT THE WRITTEN PERMISSION OF <INSERT COMPANY NAME HERE> IS PROHIBITED.

NEXT ASSY	USED ON
APPLICATION	

UNLESS OTHERWISE SPECIFIED:
DIMENSIONS ARE IN INCHES
TOLERANCES:
FRACTIONAL ±
ANGULAR: MACH ± BEND ±
TWO PLACE DECIMAL ±
THREE PLACE DECIMAL ±
INTERPRET GEOMETRIC TOLERANCING PER:
MATERIAL
FINISH
DO NOT SCALE DRAWING

NAME	DATE
DRAWN	
CHECKED	
ENG APPR.	
MFG APPR.	
Q.A.	
COMMENTS:	

6" ALUMINUM POST 5.5" LENGTH

TITLE:
VEN-11M-32-8-L24-4-3-TBR-30K

SIZE	DWG. NO.	REV
A		
SCALE: 1:5	WEIGHT:	SHEET 4 OF 11

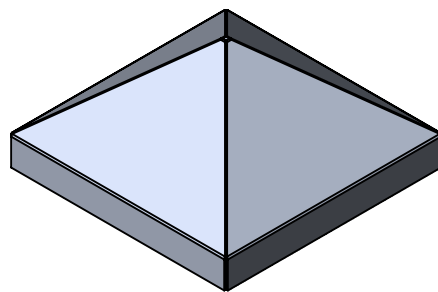
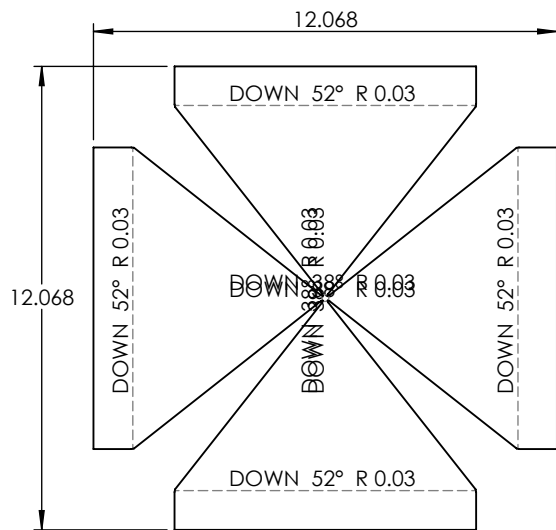
5

4

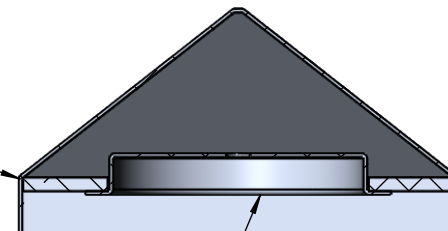
3

2

1



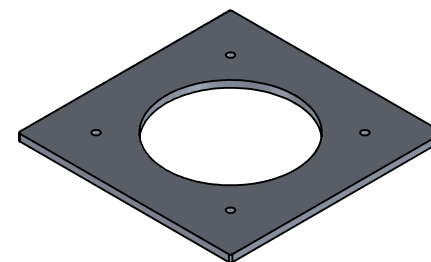
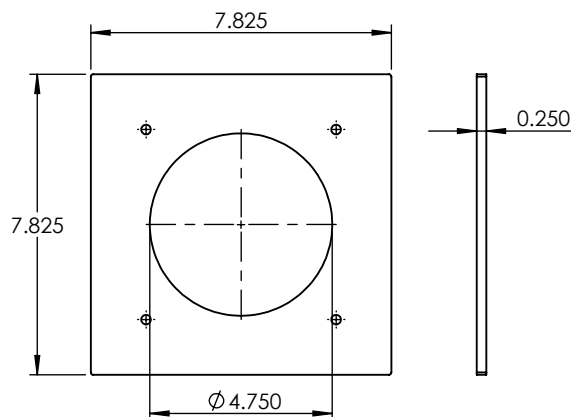
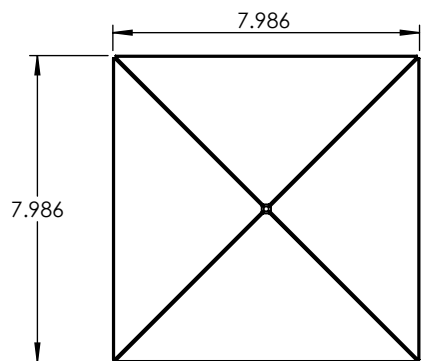
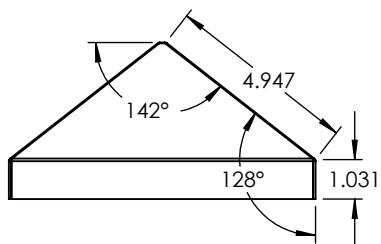
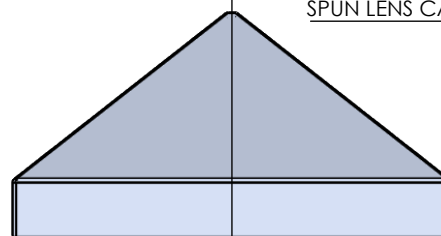
PYRAMID CAP AND CAP
PLATE WELDED



SECTION A-A
SCALE 1 : 3.5

A
SPUN LENS CAP WELDED TO PLATE

A



UNLESS OTHERWISE SPECIFIED:

DIMENSIONS ARE IN INCHES
TOLERANCES:
FRACTIONAL ±
ANGULAR: MACH ± BEND ±
TWO PLACE DECIMAL ±
THREE PLACE DECIMAL ±

INTERPRET GEOMETRIC
TOLERANCING PER:

MATERIAL

FINISH

DO NOT SCALE DRAWING

NAME

DATE

DRAWN

CHECKED

ENG APPR.

MFG APPR.

Q.A.

COMMENTS:

ALUMINUM 0.0635"

TITLE:

VEN-11M-32-8-L24-4-3-TBR-30K

SIZE
A

DWG. NO.

REV

SCALE: 1:5

WEIGHT:

SHEET 5 OF 11

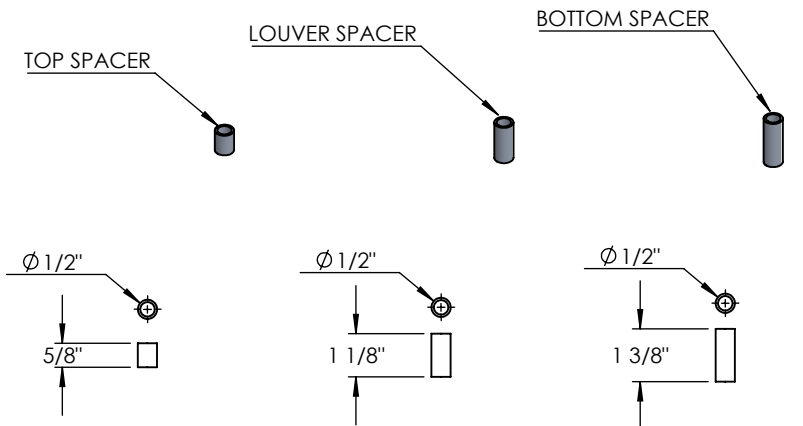
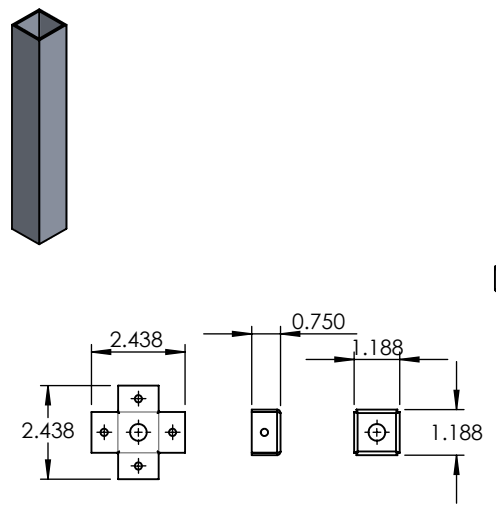
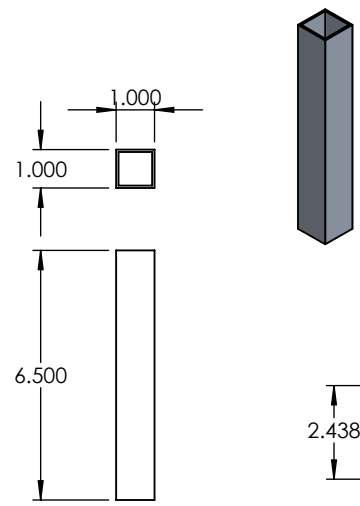
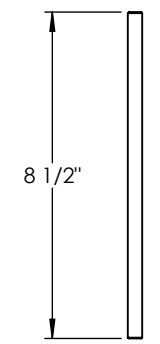
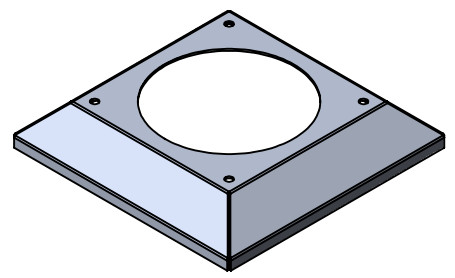
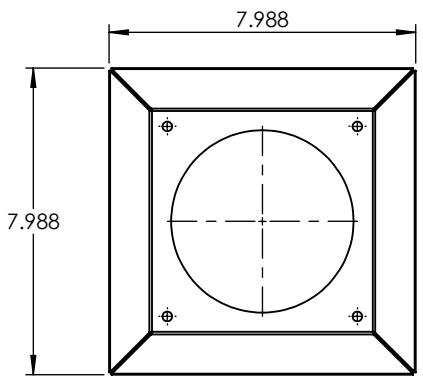
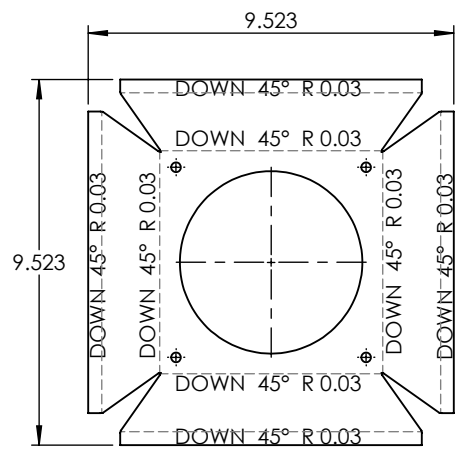
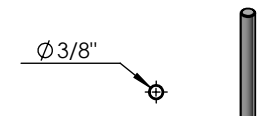
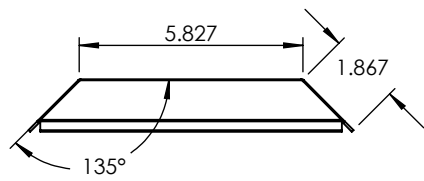
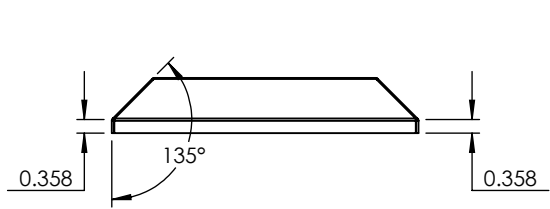
PROPRIETARY AND CONFIDENTIAL

THE INFORMATION CONTAINED IN THIS
DRAWING IS THE SOLE PROPERTY OF
<INSERT COMPANY NAME HERE>. ANY
REPRODUCTION IN PART OR AS A WHOLE
WITHOUT THE WRITTEN PERMISSION OF
<INSERT COMPANY NAME HERE> IS
PROHIBITED.

NEXT ASSY

USED ON

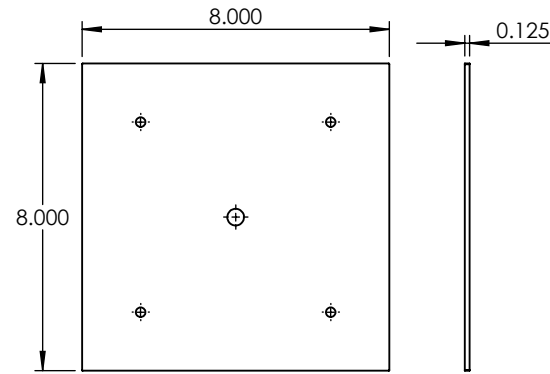
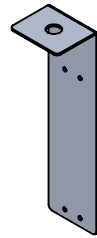
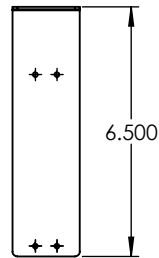
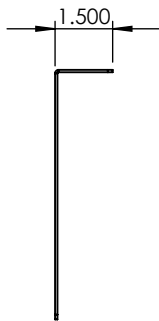
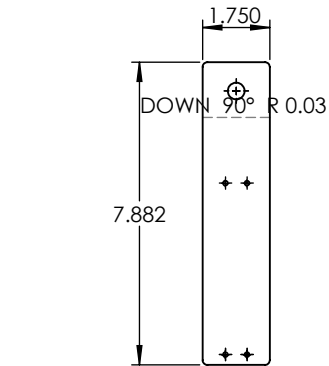
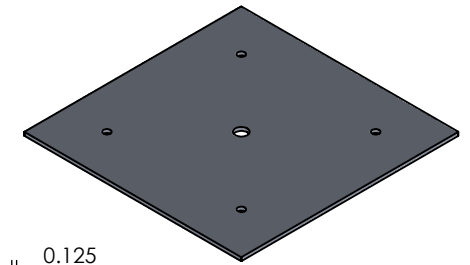
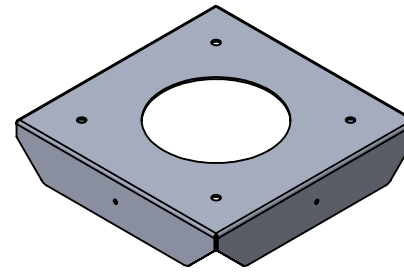
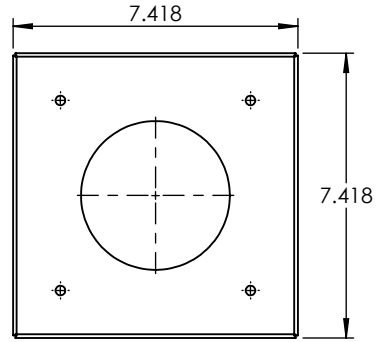
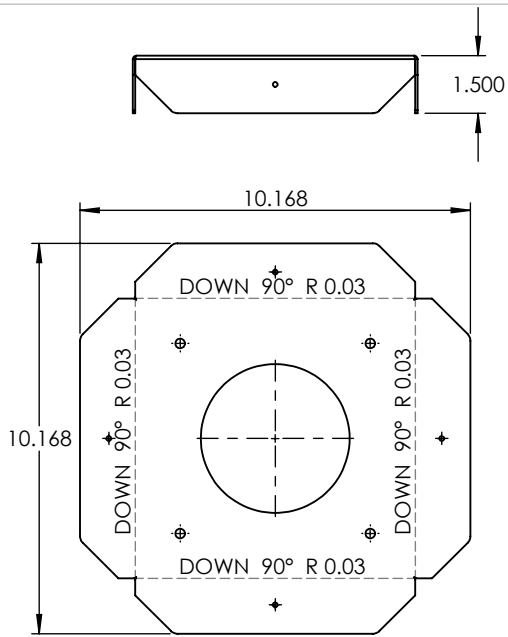
APPLICATION



UNLESS OTHERWISE SPECIFIED:		NAME	DATE
DIMENSIONS ARE IN INCHES			
TOLERANCES:			
FRACTIONAL ±			
ANGULAR: MACH ± BEND ±			
TWO PLACE DECIMAL ±			
THREE PLACE DECIMAL ±			
INTERPRET GEOMETRIC TOLERANCING PER:			
MATERIAL			
FINISH			
NEXT ASSY	USED ON		
APPLICATION			
DO NOT SCALE DRAWING			

ALUMINUM 0.0635"		
TITLE:		
VEN-11M-32-8-L24-4-3-TBR-30K		
SIZE	DWG. NO.	REV
A		
SCALE: 1:5	WEIGHT:	SHEET 6 OF 11

PROPRIETARY AND CONFIDENTIAL
 THE INFORMATION CONTAINED IN THIS DRAWING IS THE SOLE PROPERTY OF <INSERT COMPANY NAME HERE>. ANY REPRODUCTION IN PART OR AS A WHOLE WITHOUT THE WRITTEN PERMISSION OF <INSERT COMPANY NAME HERE> IS PROHIBITED.



UNLESS OTHERWISE SPECIFIED:

DIMENSIONS ARE IN INCHES
 TOLERANCES:
 FRACTIONAL ±
 ANGULAR: MACH ± BEND ±
 TWO PLACE DECIMAL ±
 THREE PLACE DECIMAL ±

INTERPRET GEOMETRIC
 TOLERANCING PER:

MATERIAL

FINISH

DO NOT SCALE DRAWING

NAME DATE

DRAWN
 CHECKED
 ENG APPR.
 MFG APPR.

Q.A.
 COMMENTS:

ALUMINUM 0.0635"

TITLE:

VEN-11M-32-8-L24-4-3-TBR-30K

SIZE DWG. NO.

REV

SCALE: 1:5 WEIGHT:

SHEET 7 OF 11

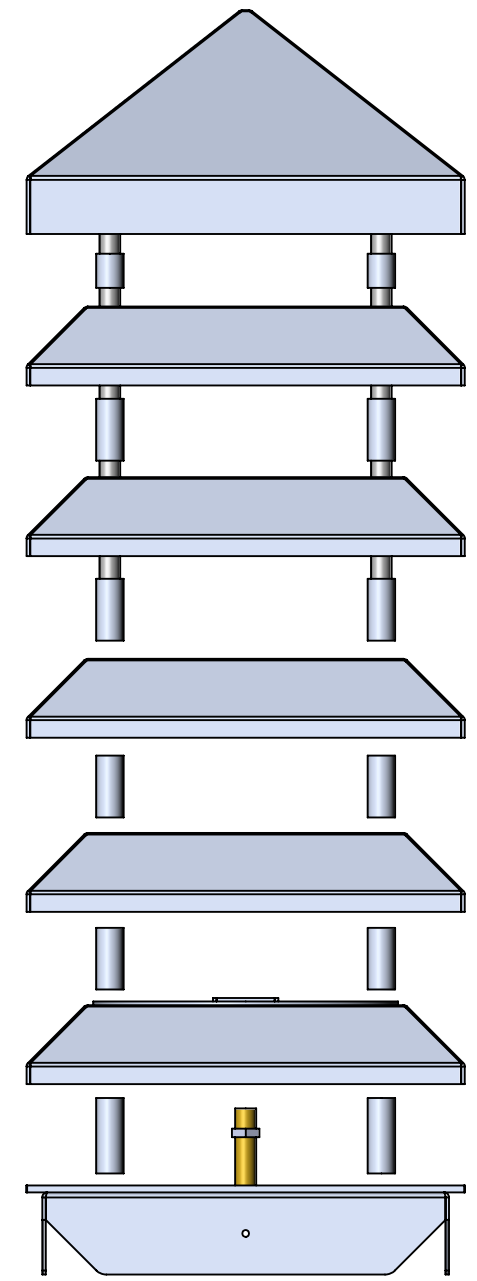
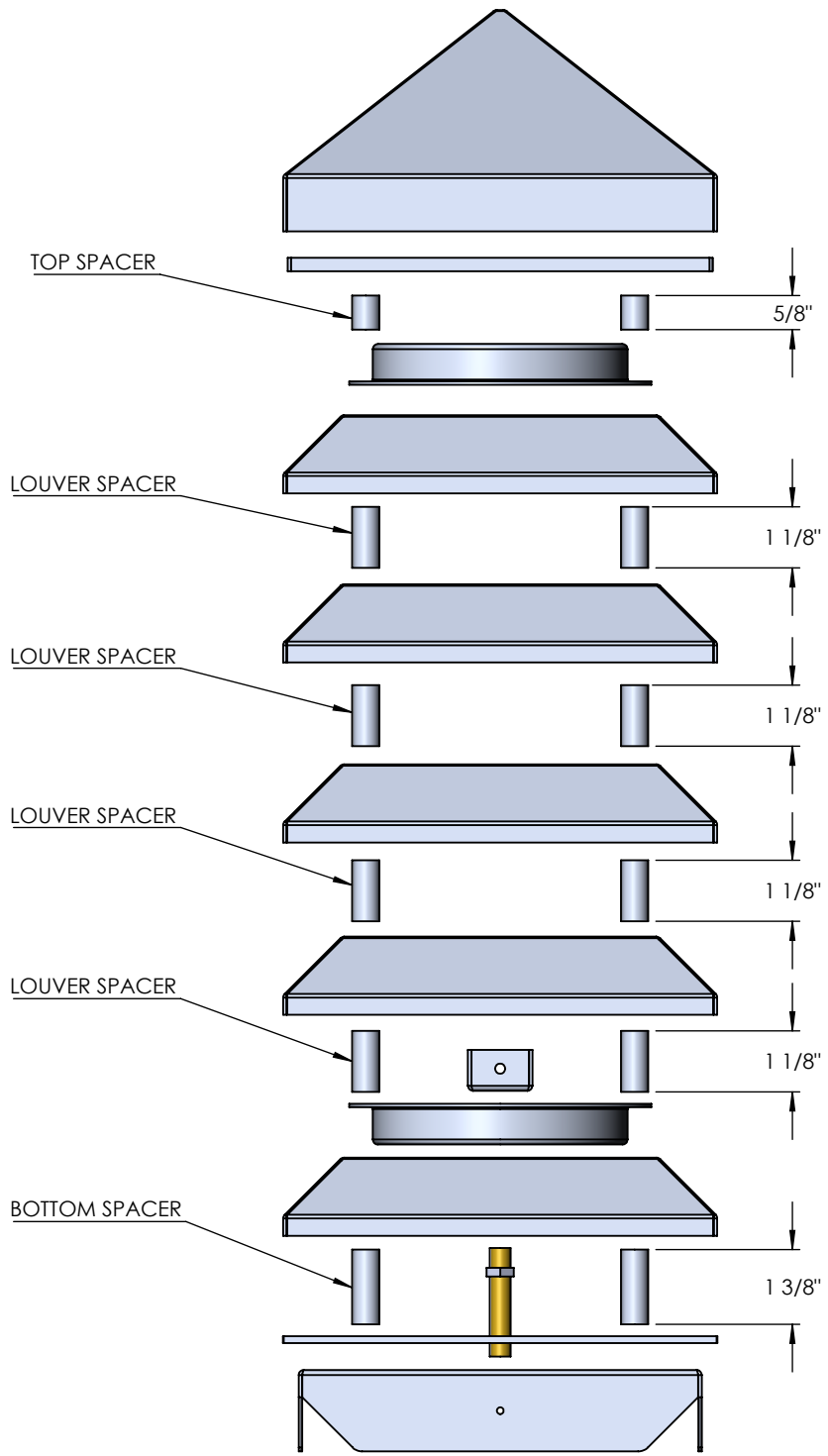
PROPRIETARY AND CONFIDENTIAL

THE INFORMATION CONTAINED IN THIS
 DRAWING IS THE SOLE PROPERTY OF
 <INSERT COMPANY NAME HERE>. ANY
 REPRODUCTION IN PART OR AS A WHOLE
 WITHOUT THE WRITTEN PERMISSION OF
 <INSERT COMPANY NAME HERE> IS
 PROHIBITED.

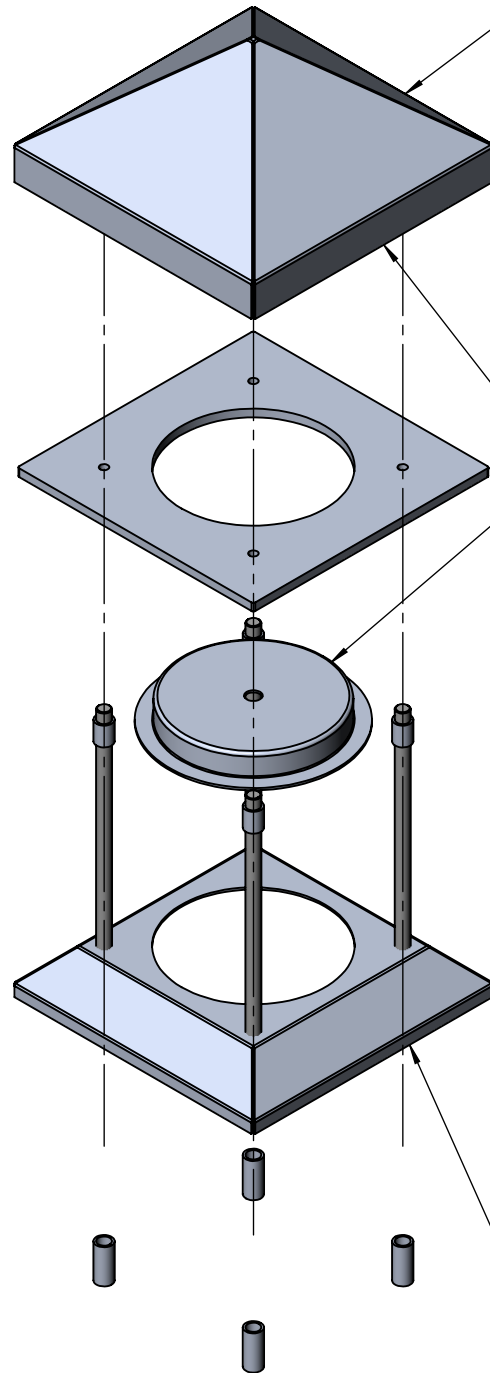
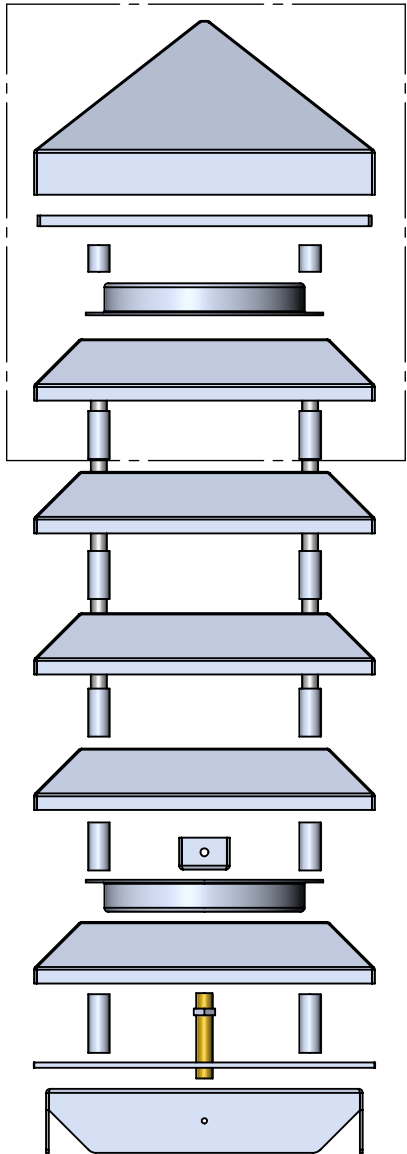
NEXT ASSY

USED ON

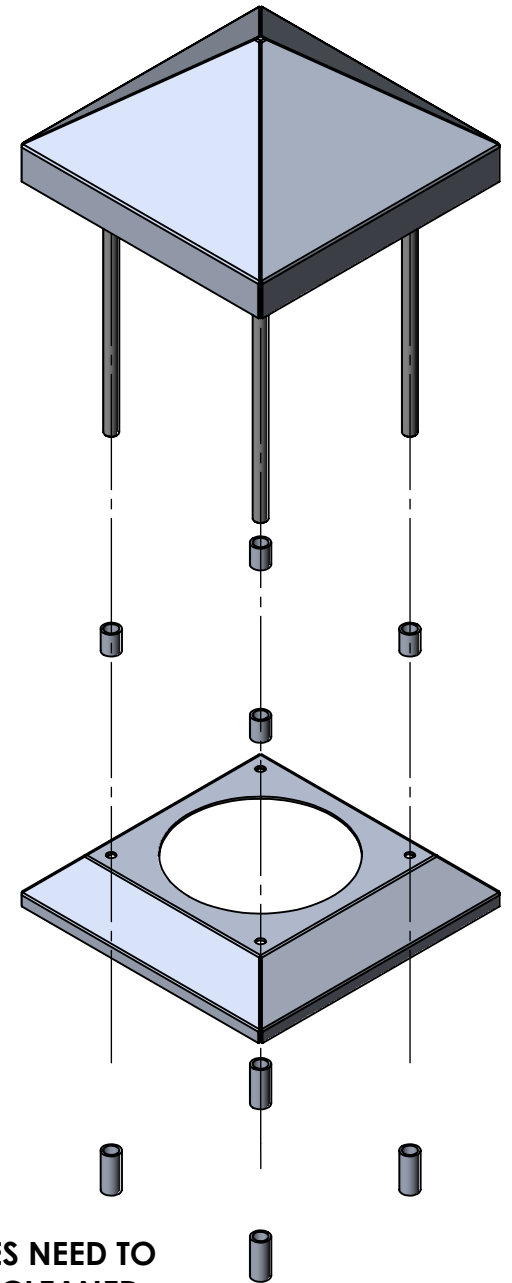
APPLICATION



ALL CAP EDGES NEED TO BE WELDED AND CLEANED

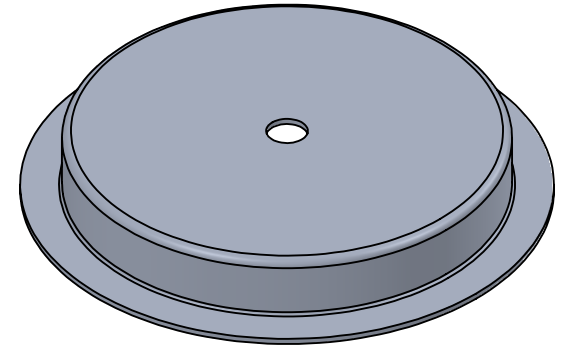
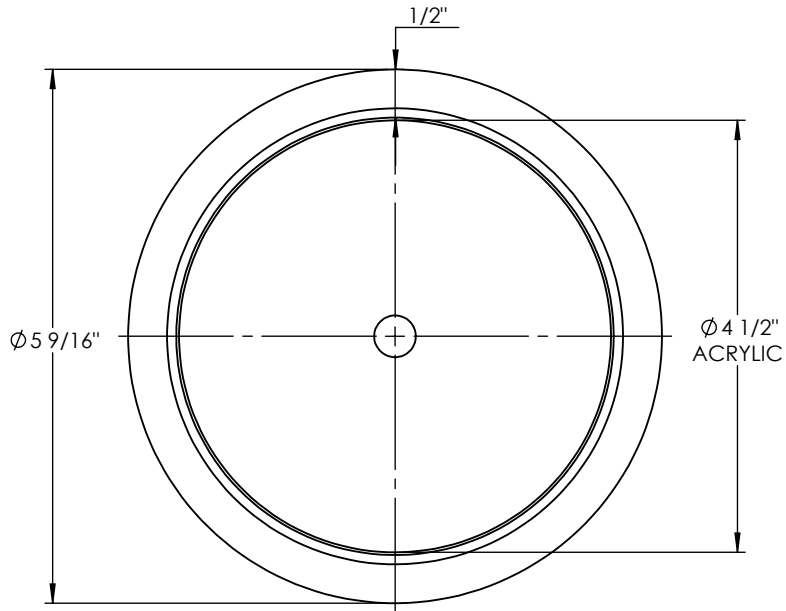
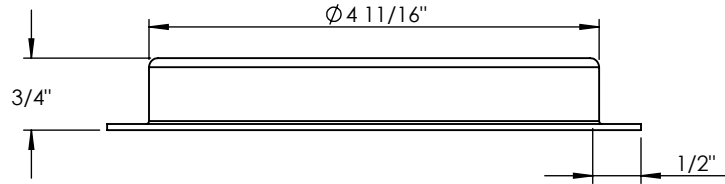


WELDED AS ONE



ALL LOUVER EDGES NEED TO BE WELDED AND CLEANED

ITEM NO.	PART NUMBER	DESCRIPTION	QTY.
1	VEN-11M-32-8-L24-4-3-TBR-30K-SPUN LENS CAP	SPUN ALUMINUM 0.080"	1



PROPRIETARY AND CONFIDENTIAL
 THE INFORMATION CONTAINED IN THIS DRAWING IS THE SOLE PROPERTY OF <INSERT COMPANY NAME HERE>. ANY REPRODUCTION IN PART OR AS A WHOLE WITHOUT THE WRITTEN PERMISSION OF <INSERT COMPANY NAME HERE> IS PROHIBITED.

		UNLESS OTHERWISE SPECIFIED:	NAME	DATE
		DIMENSIONS ARE IN INCHES TOLERANCES: FRACTIONAL \pm ANGULAR: MACH \pm BEND \pm TWO PLACE DECIMAL \pm THREE PLACE DECIMAL \pm	DRAWN	
		INTERPRET GEOMETRIC TOLERANCING PER:	CHECKED	
		MATERIAL	ENG APPR.	
		FINISH	MFG APPR.	
NEXT ASSY	USED ON		Q.A.	
APPLICATION		DO NOT SCALE DRAWING	COMMENTS:	

TITLE:		
SPUN ALUMINUM 0.080"		
VEN-11M-32-8-L24-4-3-TBR-30K		
SIZE	DWG. NO.	REV
A		
SCALE: 1:2	WEIGHT:	SHEET 11 OF 11