



**EVERGREEN
LIGHTING**

WALL MOUNT

2400-15IN-24W-9-CFA-EMR-WET-41K

SPECIFICATION FEATURES

Date
12-28-22

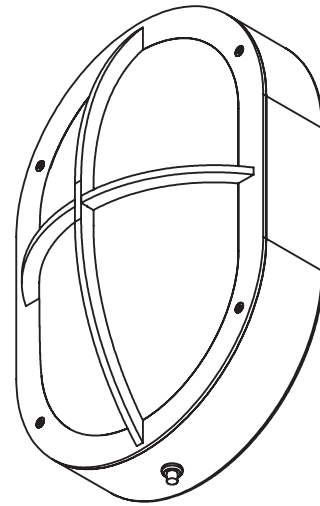
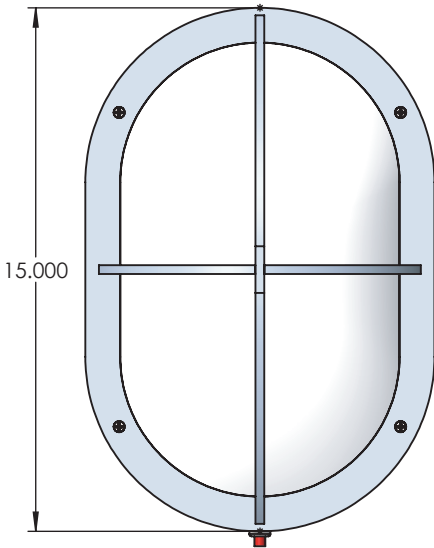
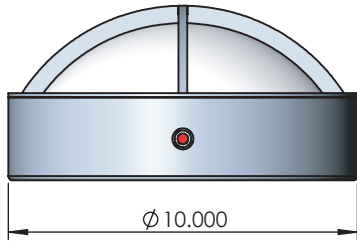
PROJECT:

SPECIFIER:

Dimensions	15" H x 10" W x 5" D
Lamps	24 watts LED- 4100 Kelvin
Material	Aluminum
Finish	Powdercoat - See note
Lens	Clear Frosted Hi impact acrylic
Label	Wet Location
Voltage	120 / 277
Description	Exterior Bulk Head

Oval Wall mount
with integral emergency battery

Powdercoat for this fixture was:
Tiger Drylac Beige C32 (049/1520) Powdercoat finish



EVERGREEN LIGHTING WWW.EVERGREENLIGHTING.COM
1379 Ridgeway St. Pomona, CA 91768 PHONE: (909) 865-5599 FAX: (909) 865-5539



MADE IN USA ● Information appearing hereon is proprietary and confidential and may not be used without the permission of Evergreen Lighting.

MADE IN USA