



**EVERGREEN
LIGHTING**

WALL MOUNT

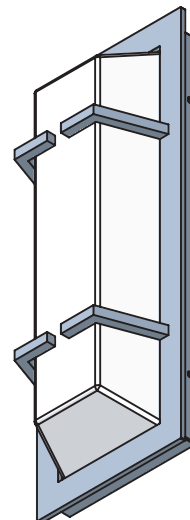
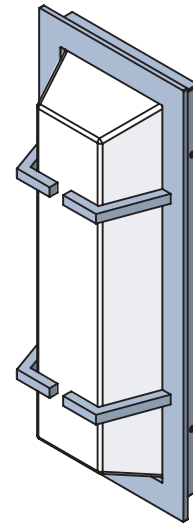
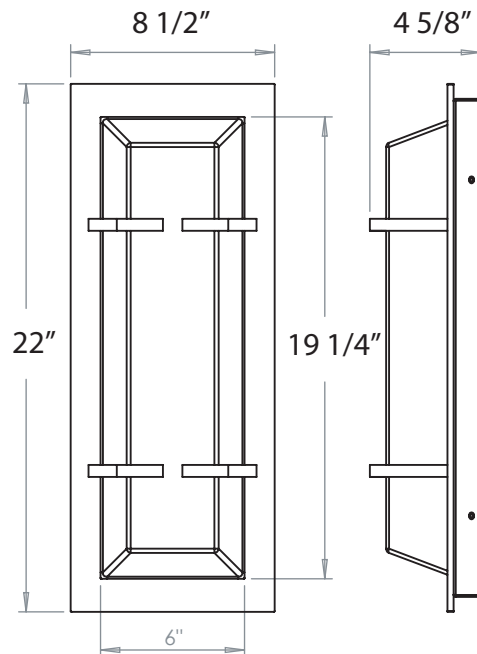
EVOL12-W-22-12LED-TMN-WDA-30K

SPECIFICATION FEATURES		Date 07-12-24
Dimensions	22" H x 8 1/2" W x 4 5/8" D	
Lamps	12 Watts LED - 3000K	
Material	Aluminum	
Finish	Textured Metallic Nickel	
Lens	White Durable Acrylic	
Label	Wet Location	
Voltage	120 / 277	
Description	LED wall	

PROJECT:

SPECIFIER:

972 lumens



EVERGREEN LIGHTING WWW.EVERGREENLIGHTING.COM
1379 Ridgeway St. Pomona, CA 91768 PHONE: (909) 865-5599 FAX: (909) 865-5539



MADE IN USA ● Information appearing hereon is proprietary and confidential and may not be used without the permission of Evergreen Lighting.

MADE IN USA