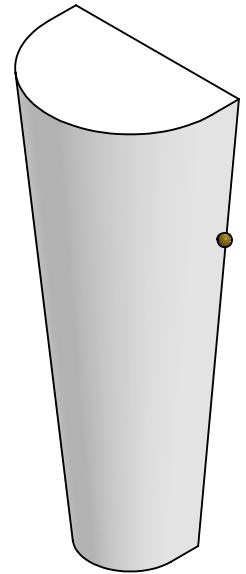
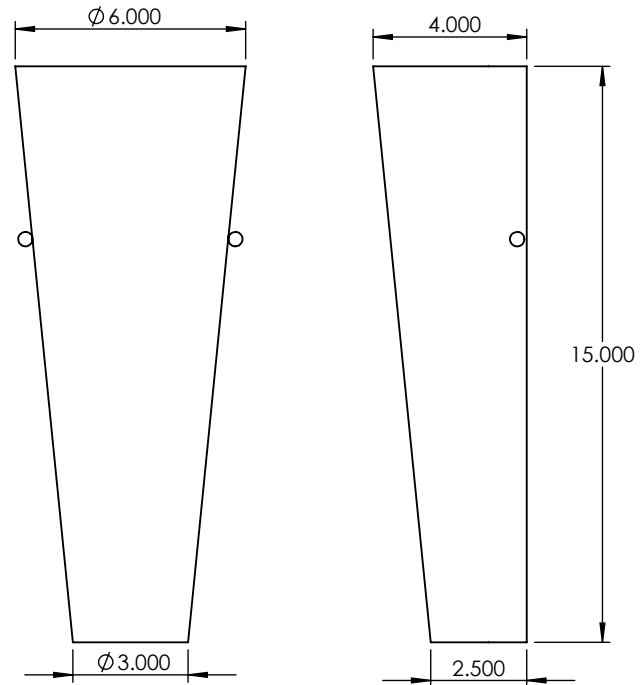
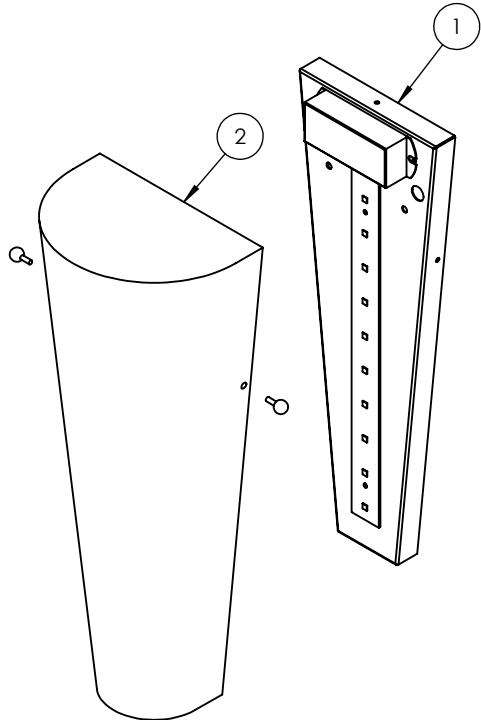


| ITEM NO. | PART NUMBER | DESCRIPTION | QTY. | CUT |
|----------|--|-------------|------|-----|
| 1 | TRPD-SC-15-15W-MW-WF-DIM-40K-BACKPLATE | 22 GAUGE | 1 | |
| 2 | TRPD-SC-15-15W-MW-WF-DIM-40K-ACRYLIC | ACRYLIC | 1 | |
| 3 | BALL THUMBSCREW | THUMBSCREW | 2 | |
| 4 | DS-15W-350C1542010-3001 | DRIVER | 1 | |
| 5 | Alttailed_PN110B_RevC | LED | 1 | |

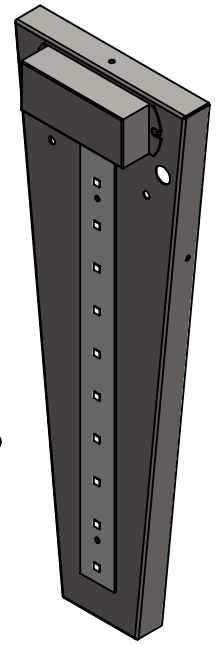
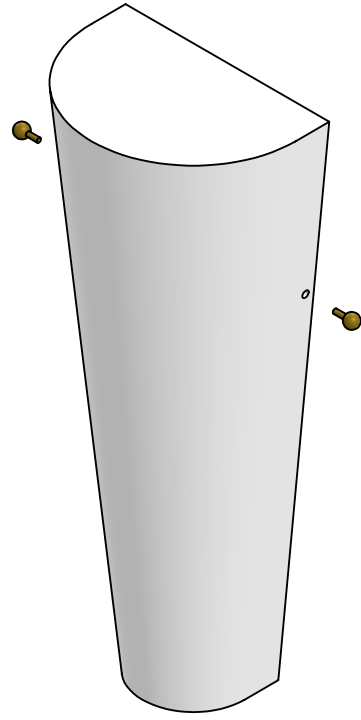
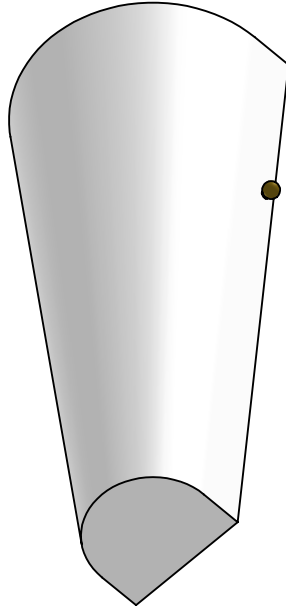
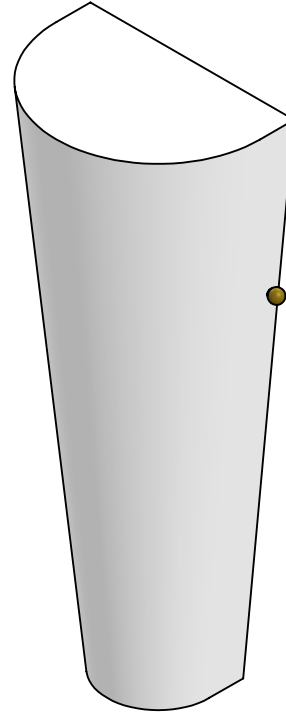
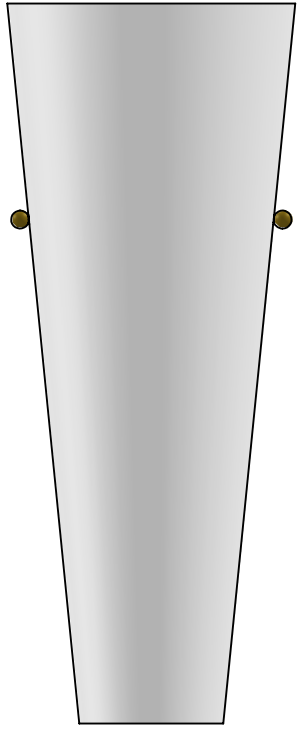


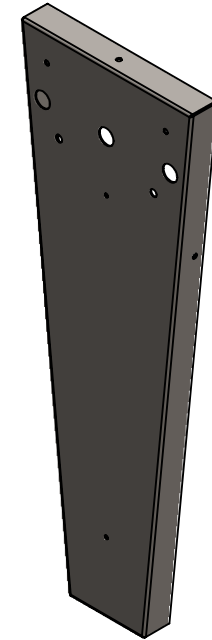
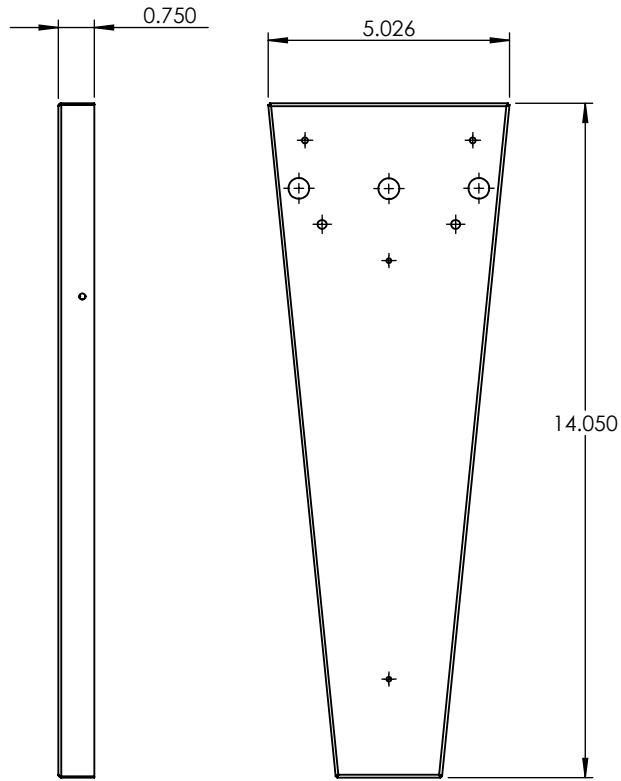
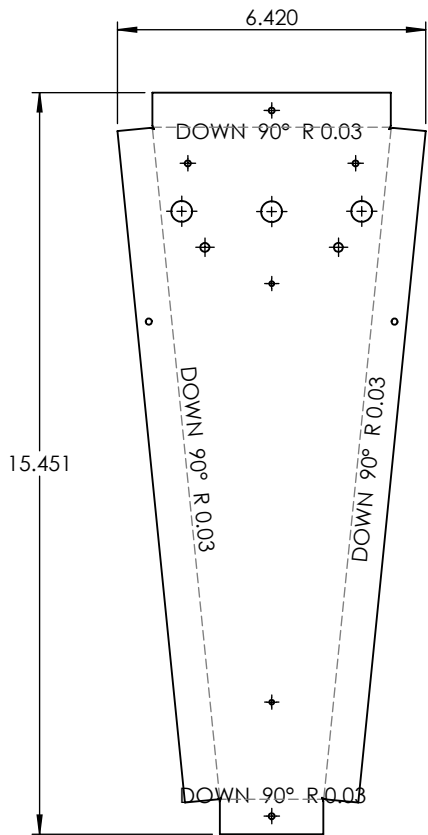
| | | | | |
|--|--|-----------|------|--|
| UNLESS OTHERWISE SPECIFIED: | | NAME | DATE | TITLE: TRPD-SC-15-15W-MW-WF-DIM-40K |
| DIMENSIONS ARE IN INCHES TOLERANCES: FRACTIONAL ± .003 ANGULAR: MACH ± .01 BEND ± TWO PLACE DECIMAL ± THREE PLACE DECIMAL ±.001 | | DRAWN | | |
| INTERPRET GEOMETRIC TOLERANCING PER: | | CHECKED | | SIZE DWG. NO. REV A TICKET 26926 |
| MATERIAL | | ENG APPR. | | |
| FINISH | | MFG APPR. | | SCALE: 1:5 WEIGHT: SHEET 1 OF 5 |
| APPLICATION | | Q.A. | | |
| DO NOT SCALE DRAWING | | COMMENTS: | | |



EVERGREEN LIGHTING

ALL BEND RADIUS .030"





PROPRIETARY AND CONFIDENTIAL
 THE INFORMATION CONTAINED IN THIS DRAWING IS THE SOLE PROPERTY OF <INSERT COMPANY NAME HERE>. ANY REPRODUCTION IN PART OR AS A WHOLE WITHOUT THE WRITTEN PERMISSION OF <INSERT COMPANY NAME HERE> IS PROHIBITED.

| | | | | | | |
|-------------|---------|--------------------------------------|-----------|------|---------------------------------|--|
| | | UNLESS OTHERWISE SPECIFIED: | NAME | DATE | 22 GAUGE | |
| | | DIMENSIONS ARE IN INCHES | DRAWN | | TITLE: | |
| | | TOLERANCES: | CHECKED | | TRPD-SC-15-15W-MW-WF-DIM-40K | |
| | | FRACTIONAL ± | ENG APPR. | | SIZE DWG. NO. REV | |
| | | ANGULAR: MACH ± BEND ± | MFG APPR. | | SCALE: 1:4 WEIGHT: SHEET 3 OF 5 | |
| | | TWO PLACE DECIMAL ± | Q.A. | | | |
| | | THREE PLACE DECIMAL ± | COMMENTS: | | | |
| | | INTERPRET GEOMETRIC TOLERANCING PER: | | | | |
| | | MATERIAL | | | | |
| NEXT ASSY | USED ON | FINISH | | | | |
| APPLICATION | | DO NOT SCALE DRAWING | | | | |

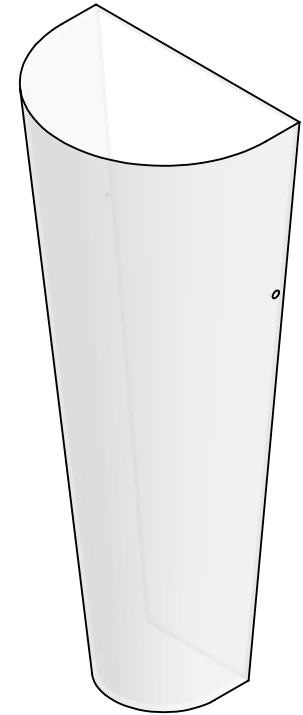
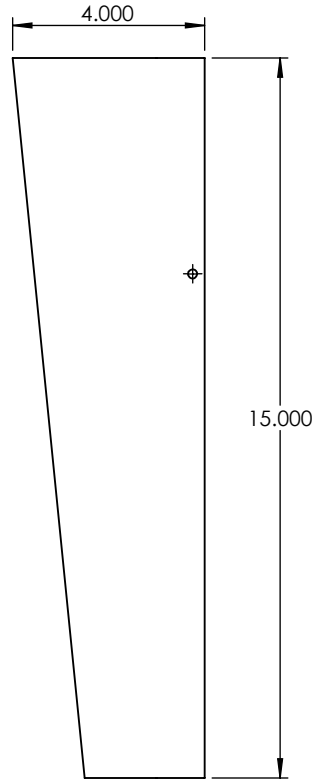
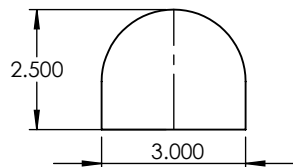
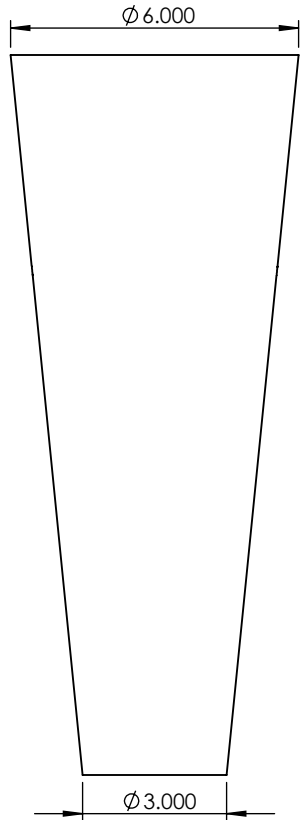
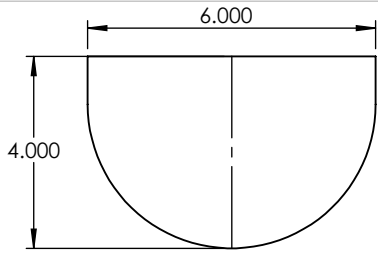
5

4

3

2

1



PROPRIETARY AND CONFIDENTIAL
 THE INFORMATION CONTAINED IN THIS DRAWING IS THE SOLE PROPERTY OF <INSERT COMPANY NAME HERE>. ANY REPRODUCTION IN PART OR AS A WHOLE WITHOUT THE WRITTEN PERMISSION OF <INSERT COMPANY NAME HERE> IS PROHIBITED.

| | |
|-------------|---------|
| NEXT ASSY | USED ON |
| APPLICATION | |

| |
|--------------------------------------|
| UNLESS OTHERWISE SPECIFIED: |
| DIMENSIONS ARE IN INCHES |
| TOLERANCES: |
| FRACTIONAL ± |
| ANGULAR: MACH ± BEND ± |
| TWO PLACE DECIMAL ± |
| THREE PLACE DECIMAL ± |
| INTERPRET GEOMETRIC TOLERANCING PER: |
| MATERIAL |
| FINISH |
| DO NOT SCALE DRAWING |

| | |
|-----------|------|
| NAME | DATE |
| DRAWN | |
| CHECKED | |
| ENG APPR. | |
| MFG APPR. | |
| Q.A. | |
| COMMENTS: | |

| | | |
|------------------------------|----------|--------------|
| ACRYLIC | | |
| TITLE: | | |
| TRPD-SC-15-15W-MW-WF-DIM-40K | | |
| SIZE | DWG. NO. | REV |
| A | | |
| SCALE: 1:4 | WEIGHT: | SHEET 4 OF 5 |

