

ITEM NO.	PART NUMBER	DESCRIPTION	QTY.	CUT
1	DRM-C24X9-24W-TBK-WF-CRS-DIM-30K-SPUN CANOPY	SPUN ALUMINUM 0.080"	1	
2	DRM-C24X9-24W-TBK-WF-CRS-DIM-30K-SUPPORT FIREPLATE	SPUN ALUMINUM 0.080"	1	
3	DRM-C24X9-24W-TBK-WF-CRS-DIM-30K-ACRYLIC DRUM	ACRYLIC	1	
4	DRM-C24X9-24W-TBK-WF-CRS-DIM-30K-ALUMINUM BAR	1/2" SQUARE ALUMINUM BAR	2	
5	DRM-C24X9-24W-TBK-WF-CRS-DIM-30K-VERTICAL BAR	1/2" SQUARE ALUMINUM BAR	4	
6	DRM-C24X9-24W-TBK-WF-CRS-DIM-30K-TOP ROUND COVER	ALUMINUM 0.0635"	1	
7	BALL THUMBSCREW	THUMBSCREW	4	
8	KTLD-25-UV-700-VDIM-LA1	DRIVER	1	
9	Altailed PN105B-11-SS	LED	4	

UNLESS OTHERWISE SPECIFIED:

DIMENSIONS ARE IN INCHES
 TOLERANCES:
 FRACTIONAL ± .003
 ANGULAR: MACH ± .01 BEND ±
 TWO PLACE DECIMAL ±
 THREE PLACE DECIMAL ±.001

INTERPRET GEOMETRIC
 TOLERANCING PER:
 MATERIAL

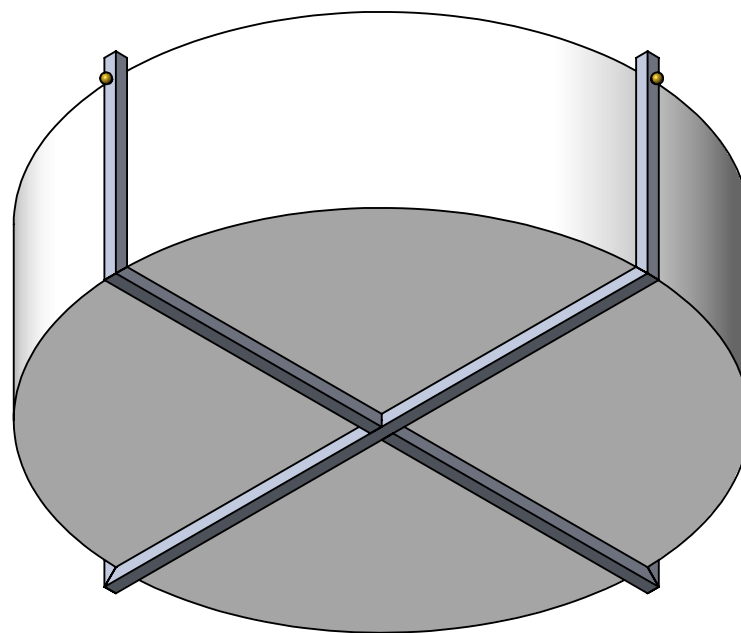
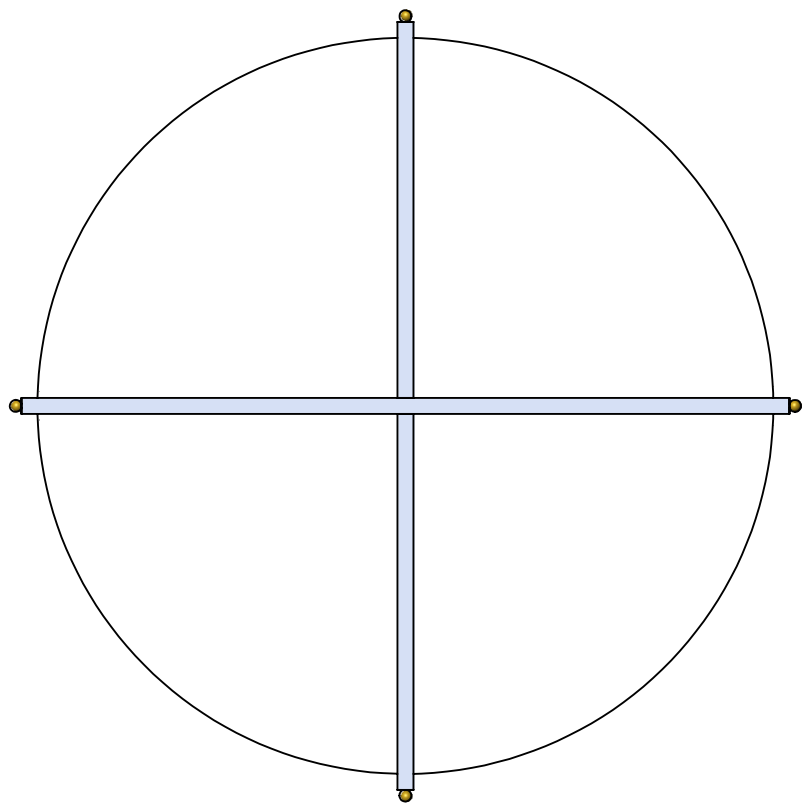
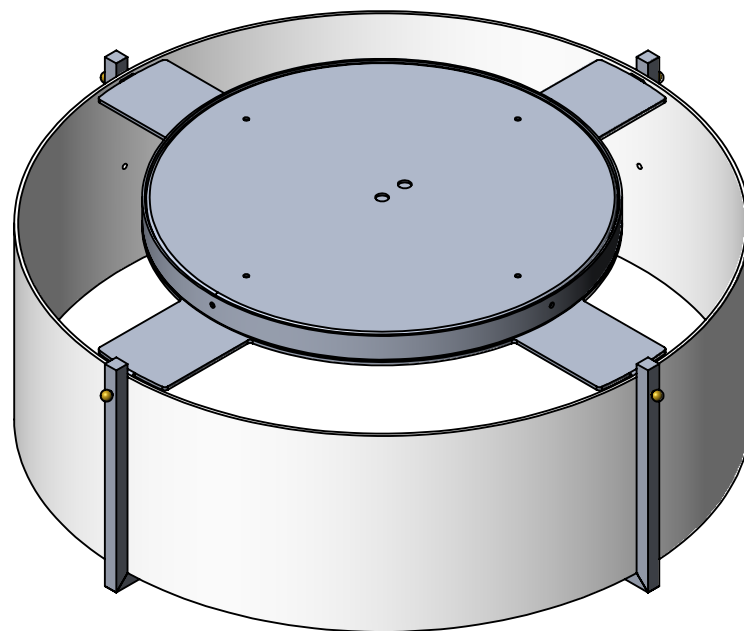
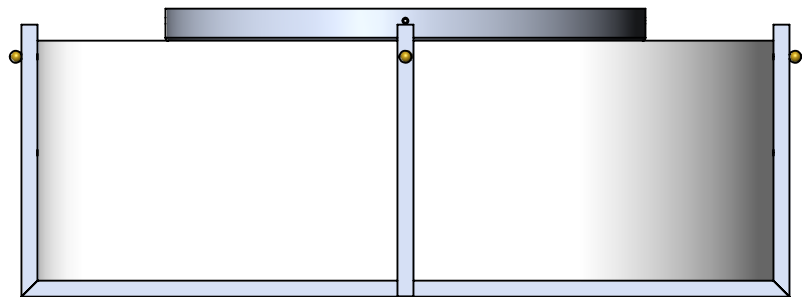
FINISH

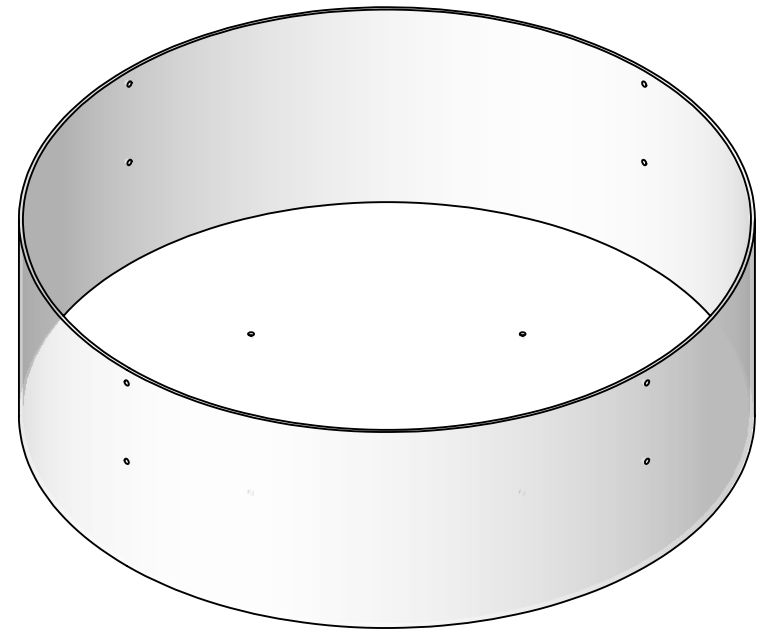
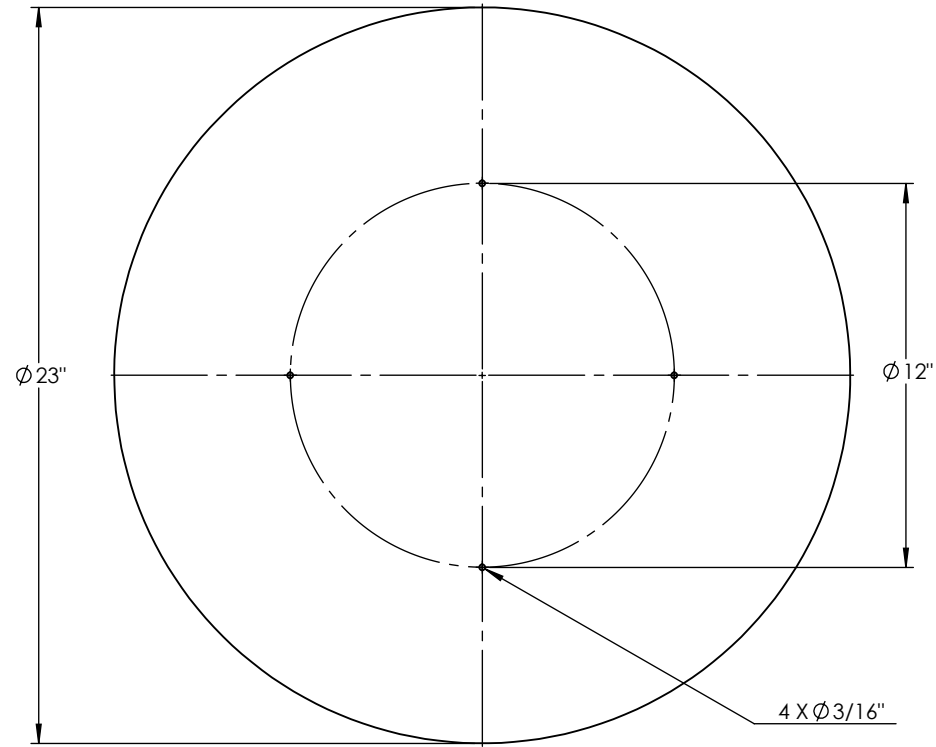
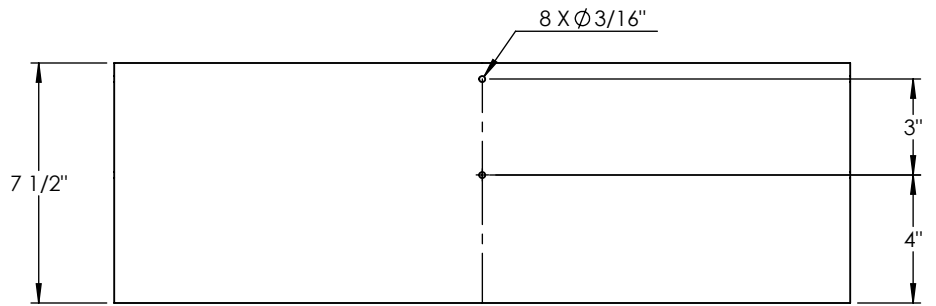
	NAME	DATE
DRAWN		
CHECKED		
ENG APPR.		
MFG APPR.		
Q.A.		
COMMENTS:		

TITLE:
 DRM-C24X9-24W-TBK-WF-CRS-DIM-30K-ASSEMBLY

SIZE	DWG. NO.	REV
A	TICKET 26966	
SCALE: 1:10	WEIGHT:	SHEET 1 OF 8

ALL BEND RADIUS .030"
 APPLICATION DO NOT SCALE DRAWING

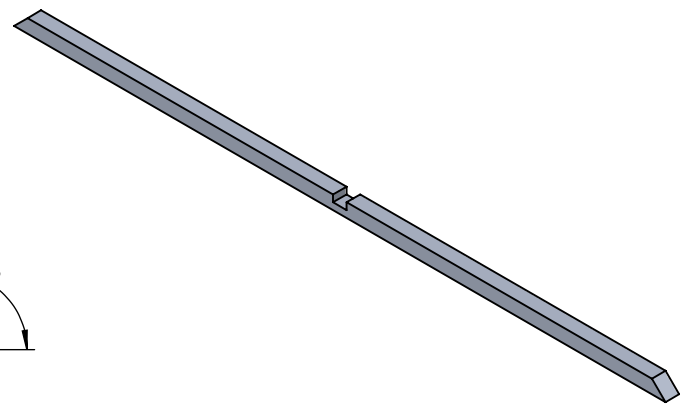
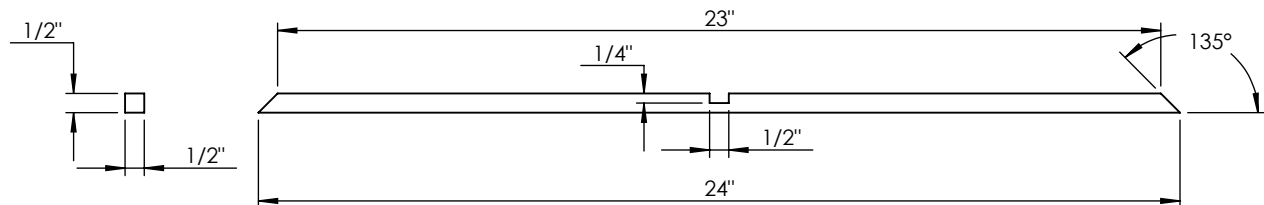
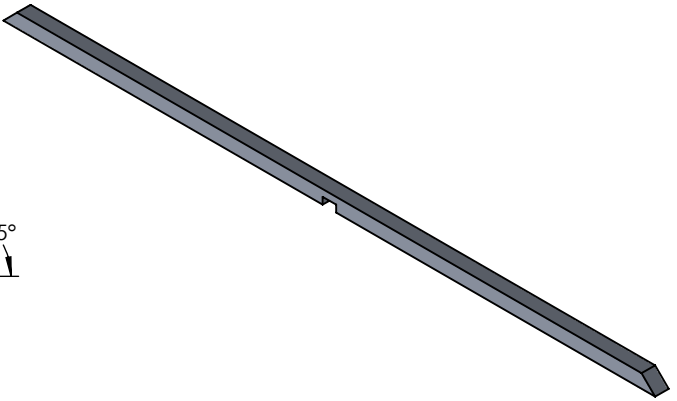
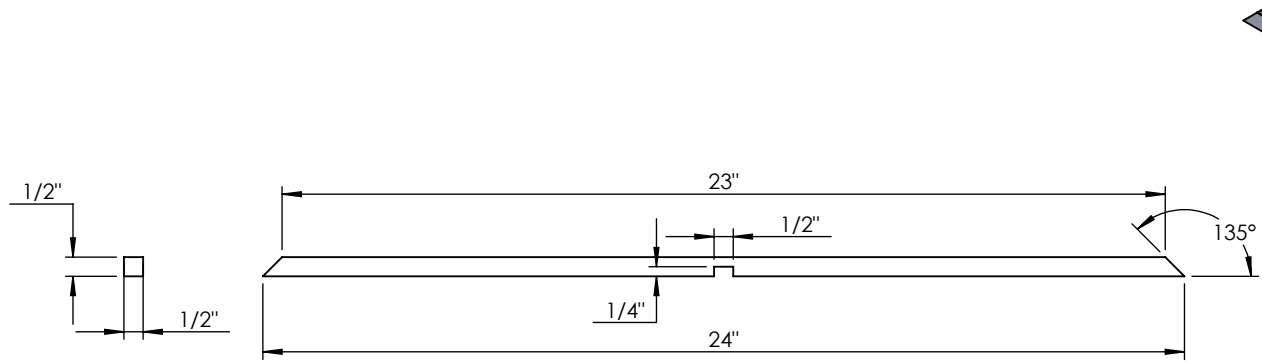




PROPRIETARY AND CONFIDENTIAL
 THE INFORMATION CONTAINED IN THIS DRAWING IS THE SOLE PROPERTY OF <INSERT COMPANY NAME HERE>. ANY REPRODUCTION IN PART OR AS A WHOLE WITHOUT THE WRITTEN PERMISSION OF <INSERT COMPANY NAME HERE> IS PROHIBITED.

		UNLESS OTHERWISE SPECIFIED:	NAME	DATE
		DIMENSIONS ARE IN INCHES	DRAWN	
		TOLERANCES:	CHECKED	
		FRACTIONAL ±	ENG APPR.	
		ANGULAR: MACH ± BEND ±	MFG APPR.	
		TWO PLACE DECIMAL ±	Q.A.	
		THREE PLACE DECIMAL ±	COMMENTS:	
		INTERPRET GEOMETRIC TOLERANCING PER:		
		MATERIAL		
		FINISH		
NEXT ASSY	USED ON			
APPLICATION	DO NOT SCALE DRAWING			

ACRYLIC		
TITLE:		
DRM-C24X9-24W-TBK-WF-CRS-DIM-30K-ASSEMB		
SIZE	DWG. NO.	REV
A		
SCALE: 1:6	WEIGHT:	SHEET 3 OF 8



PROPRIETARY AND CONFIDENTIAL
 THE INFORMATION CONTAINED IN THIS DRAWING IS THE SOLE PROPERTY OF <INSERT COMPANY NAME HERE>. ANY REPRODUCTION IN PART OR AS A WHOLE WITHOUT THE WRITTEN PERMISSION OF <INSERT COMPANY NAME HERE> IS PROHIBITED.

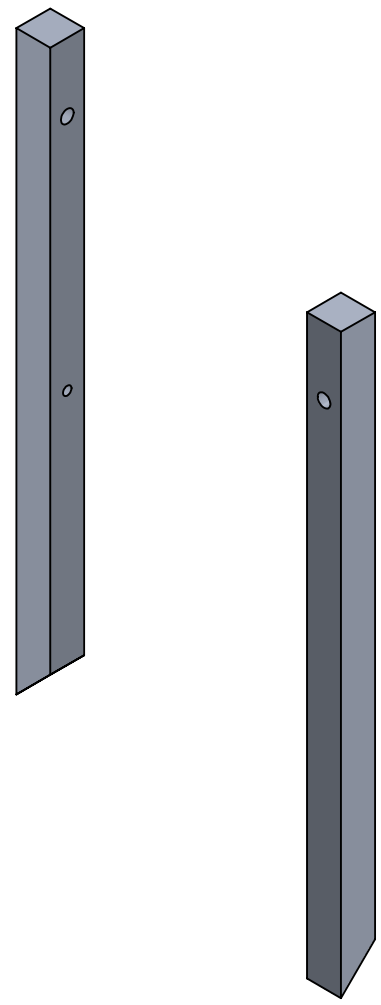
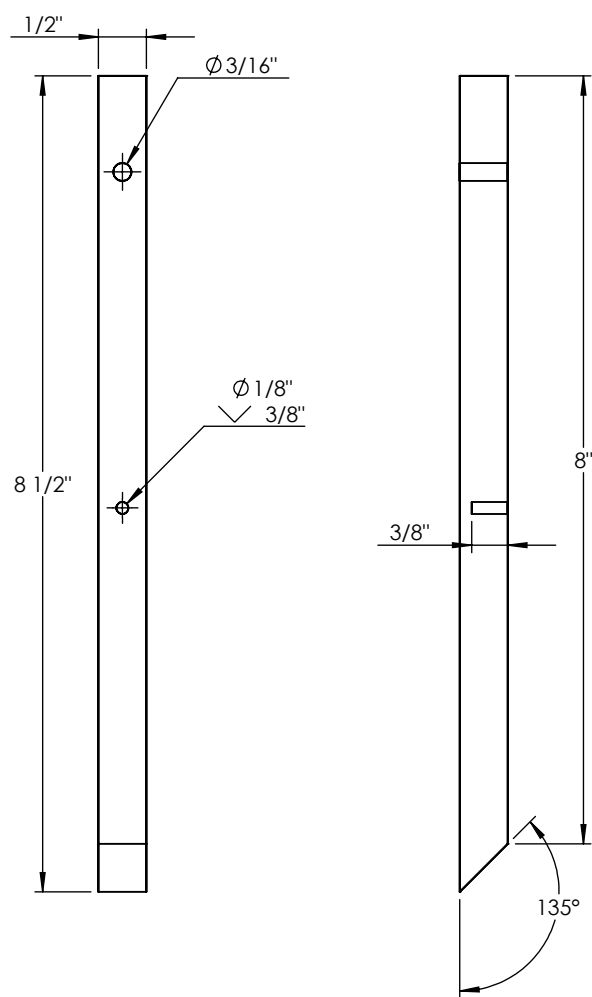
		UNLESS OTHERWISE SPECIFIED:		NAME	DATE
		DIMENSIONS ARE IN INCHES	DRAWN		
		TOLERANCES:	CHECKED		
		FRACTIONAL ±	ENG APPR.		
		ANGULAR: MACH ± BEND ±	MFG APPR.		
		TWO PLACE DECIMAL ±	Q.A.		
		THREE PLACE DECIMAL ±	COMMENTS:		
		INTERPRET GEOMETRIC TOLERANCING PER:			
		MATERIAL			
		FINISH			
NEXT ASSY	USED ON				
APPLICATION	DO NOT SCALE DRAWING				

1/2" SQUARE ALUMINUM BAR

TITLE:

DRM-C24X9-24W-TBK-WF-CRS-DIM-30K-ASSEMB

SIZE	DWG. NO.	REV
A		
SCALE: 1:5	WEIGHT:	SHEET 4 OF 8



PROPRIETARY AND CONFIDENTIAL
 THE INFORMATION CONTAINED IN THIS DRAWING IS THE SOLE PROPERTY OF <INSERT COMPANY NAME HERE>. ANY REPRODUCTION IN PART OR AS A WHOLE WITHOUT THE WRITTEN PERMISSION OF <INSERT COMPANY NAME HERE> IS PROHIBITED.

		UNLESS OTHERWISE SPECIFIED:		NAME	DATE
		DIMENSIONS ARE IN INCHES	DRAWN		
		TOLERANCES:	CHECKED		
		FRACTIONAL ±	ENG APPR.		
		ANGULAR: MACH ± BEND ±	MFG APPR.		
		TWO PLACE DECIMAL ±	Q.A.		
		THREE PLACE DECIMAL ±	COMMENTS:		
		INTERPRET GEOMETRIC TOLERANCING PER:			
		MATERIAL			
		FINISH			
NEXT ASSY	USED ON				
APPLICATION		DO NOT SCALE DRAWING			

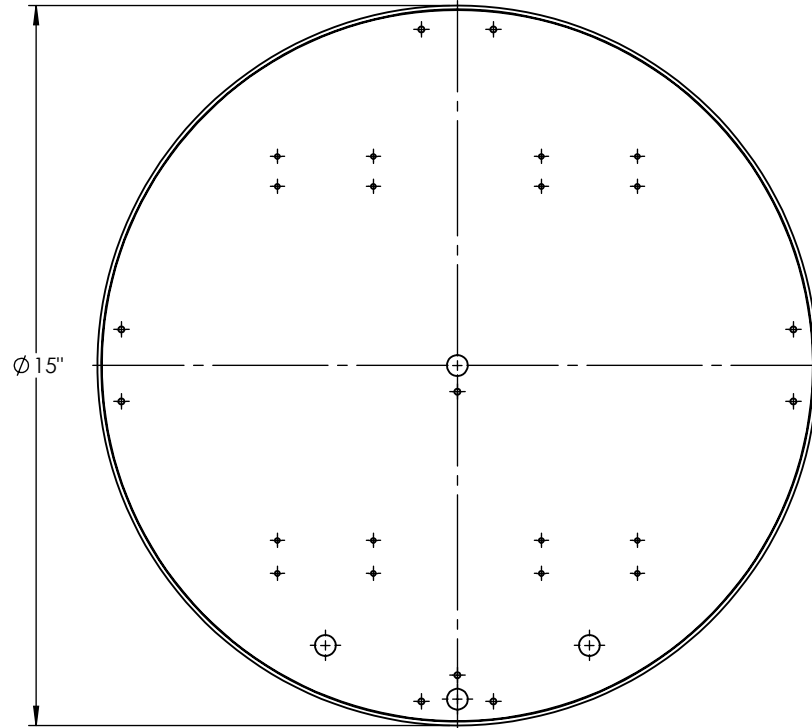
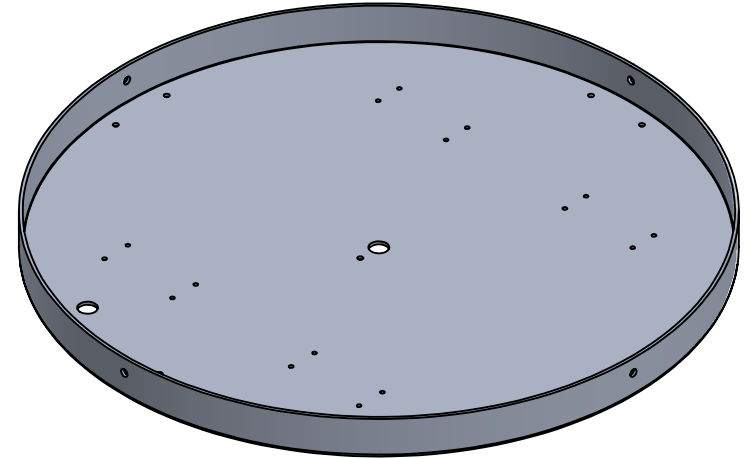
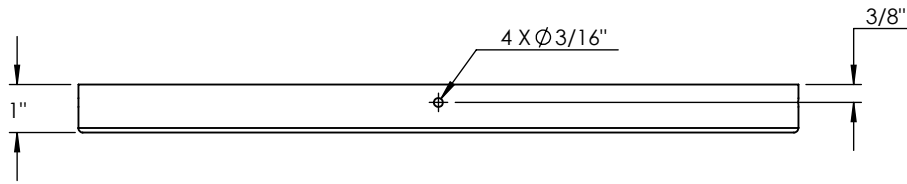
1/2" SQUARE ALUMINUM BAR

TITLE:

DRM-C24X9-24W-TBK-WF-CRS-DIM-30K-ASSEMB

SIZE	DWG. NO.	REV
A		
SCALE: 1:2	WEIGHT:	SHEET 5 OF 8

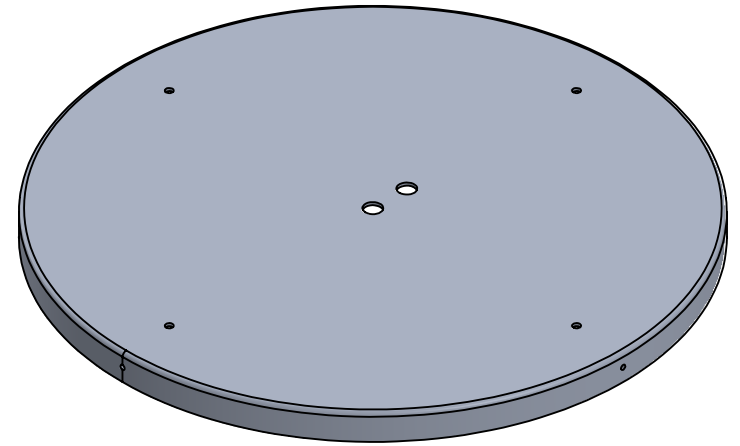
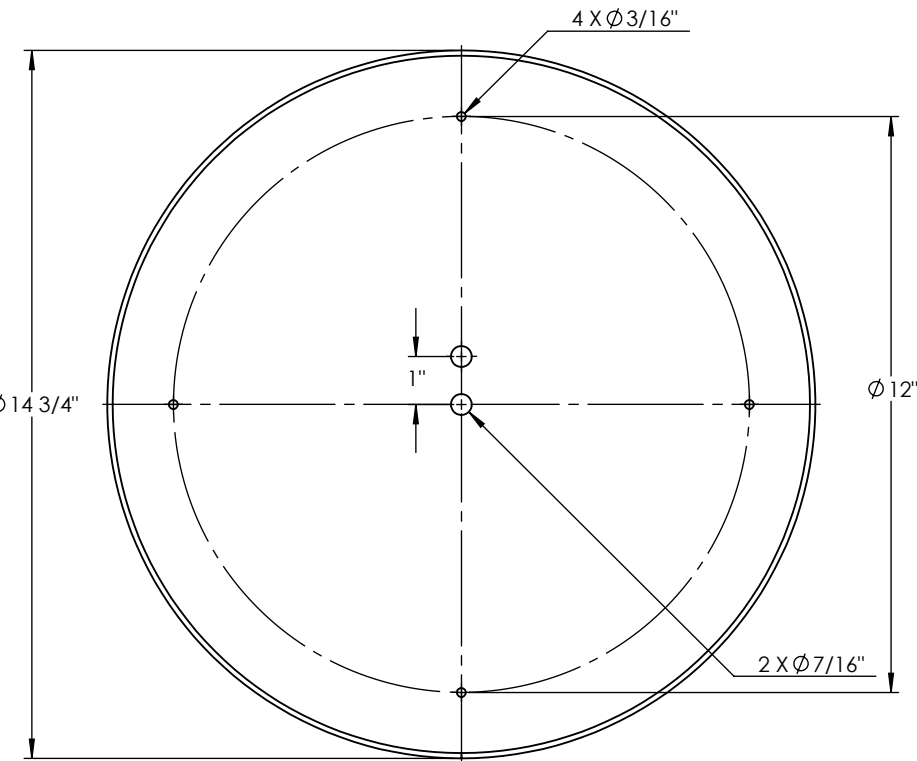
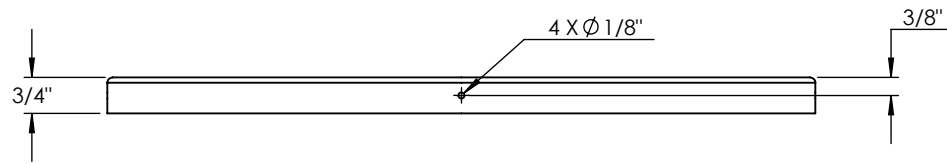
ITEM NO.	PART NUMBER	DESCRIPTION	QTY.
1	DRM-C24X9-24W-TBK-WF-CRS-DIM-30K-SPUN CANOPY	SPUN ALUMINUM 0.080"	1



PROPRIETARY AND CONFIDENTIAL
 THE INFORMATION CONTAINED IN THIS DRAWING IS THE SOLE PROPERTY OF <INSERT COMPANY NAME HERE>. ANY REPRODUCTION IN PART OR AS A WHOLE WITHOUT THE WRITTEN PERMISSION OF <INSERT COMPANY NAME HERE> IS PROHIBITED.

		UNLESS OTHERWISE SPECIFIED:		NAME	DATE	SPUN ALUMINUM 0.080"	
		DIMENSIONS ARE IN INCHES		DRAWN		TITLE:	
		TOLERANCES:		CHECKED		DRM-C24X9-24W-TBK-WF-CRS-DIM-30K-ASSEMBLY	
		FRACTIONAL \pm		ENG APPR.		SIZE	DWG. NO.
		ANGULAR: MACH \pm BEND \pm		MFG APPR.		A	REV
		TWO PLACE DECIMAL \pm		Q.A.		SCALE: 1:4	WEIGHT:
		THREE PLACE DECIMAL \pm		COMMENTS:			SHEET 6 OF 8
		INTERPRET GEOMETRIC TOLERANCING PER:					
		MATERIAL					
	NEXT ASSY	USED ON					
		FINISH					
	APPLICATION	DO NOT SCALE DRAWING					

ITEM NO.	PART NUMBER	DESCRIPTION	QTY.
1	DRM-C24X9-24W-TBK-WF-CRS-DIM-30K-SPUN CANOPY	SPUN ALUMINUM 0.080"	1



PROPRIETARY AND CONFIDENTIAL
 THE INFORMATION CONTAINED IN THIS DRAWING IS THE SOLE PROPERTY OF <INSERT COMPANY NAME HERE>. ANY REPRODUCTION IN PART OR AS A WHOLE WITHOUT THE WRITTEN PERMISSION OF <INSERT COMPANY NAME HERE> IS PROHIBITED.

		UNLESS OTHERWISE SPECIFIED:	NAME	DATE	SPUN ALUMINUM .080"	
		DIMENSIONS ARE IN INCHES	DRAWN		TITLE:	
		TOLERANCES:	CHECKED		DRM-C24X9-24W-TBK-WF-CRS-DIM-30K-ASSEMB	
		FRACTIONAL ±	ENG APPR.		SIZE	DWG. NO.
		ANGULAR: MACH ± BEND ±	MFG APPR.		A	REV
		TWO PLACE DECIMAL ±	Q.A.		SCALE: 1:4	WEIGHT:
		THREE PLACE DECIMAL ±	COMMENTS:		SHEET 7 OF 8	
NEXT ASSY	USED ON	INTERPRET GEOMETRIC TOLERANCING PER:				
APPLICATION		MATERIAL				
		FINISH				
		DO NOT SCALE DRAWING				

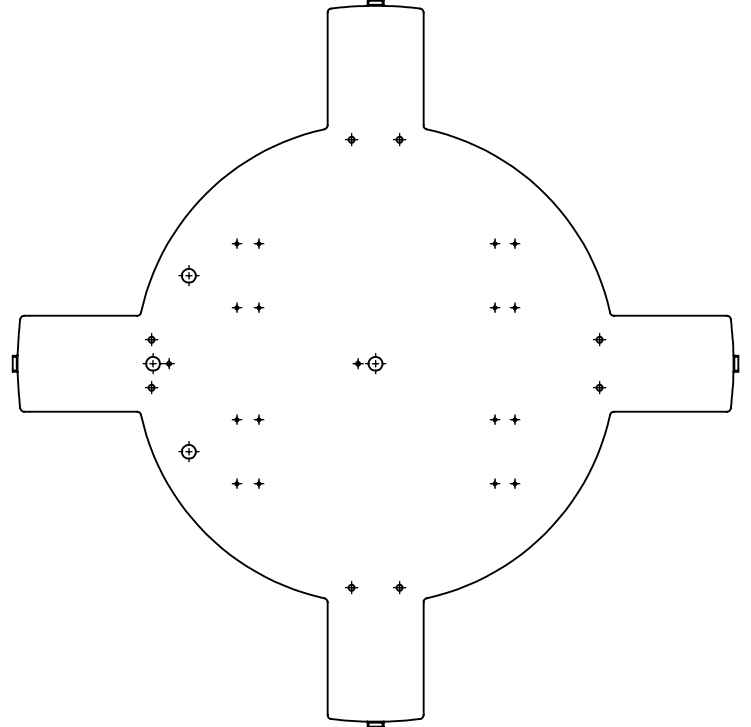
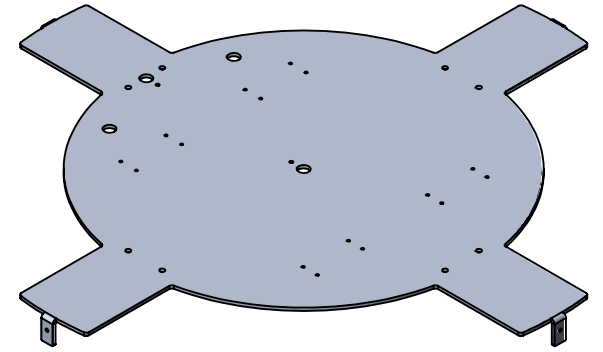
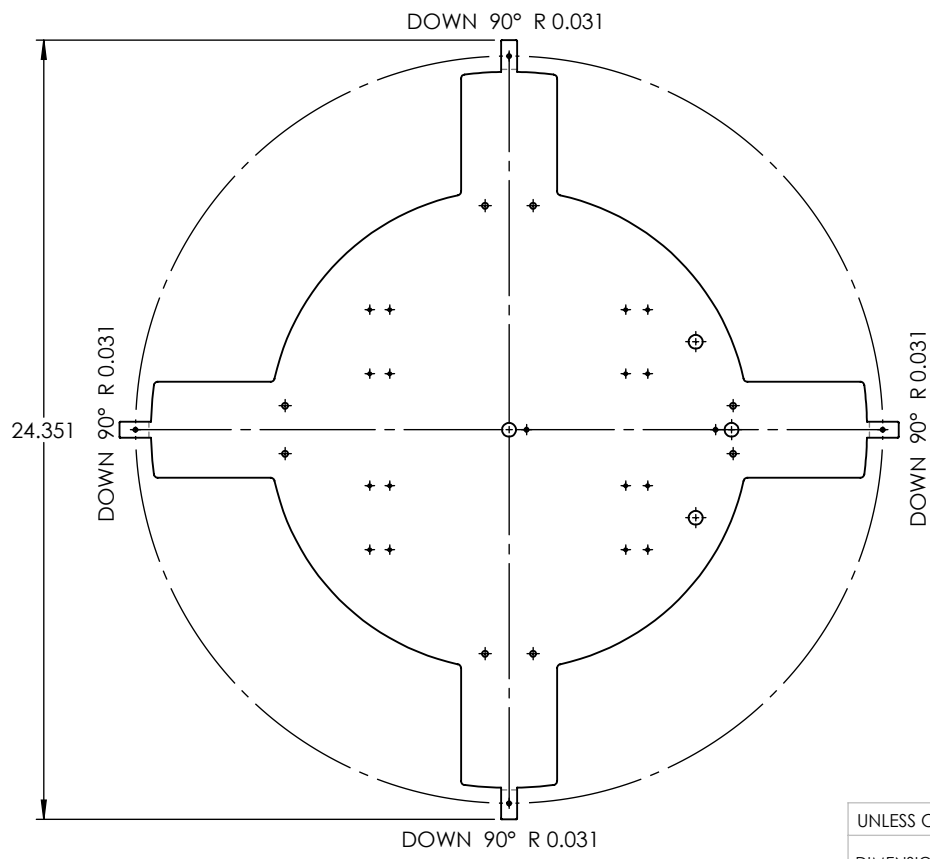
5

4

3

2

1



UNLESS OTHERWISE SPECIFIED:
 DIMENSIONS ARE IN INCHES
 TOLERANCES:
 FRACTIONAL ±
 ANGULAR: MACH ± BEND ±
 TWO PLACE DECIMAL ±
 THREE PLACE DECIMAL ±

INTERPRET GEOMETRIC TOLERANCING PER:
 MATERIAL
 FINISH
 APPLICATION
 DO NOT SCALE DRAWING

	NAME	DATE
DRAWN		
CHECKED		
ENG APPR.		
MFG APPR.		
Q.A.		
COMMENTS:		

ALUMINUM 0.0635"		
TITLE:		
DRM-C24X9-24W-TBK-WF-CRS-DIM-30K-ASSEMB		
SIZE	DWG. NO.	REV
A		
SCALE: 1:6	WEIGHT:	SHEET 8 OF 8

PROPRIETARY AND CONFIDENTIAL
 THE INFORMATION CONTAINED IN THIS DRAWING IS THE SOLE PROPERTY OF <INSERT COMPANY NAME HERE>. ANY REPRODUCTION IN PART OR AS A WHOLE WITHOUT THE WRITTEN PERMISSION OF <INSERT COMPANY NAME HERE> IS PROHIBITED.

NEXT ASSY	USED ON
APPLICATION	

5

4

3

2

1