



**EVERGREEN
LIGHTING**

EXTERIOR HALF CYLINDER SCONCE
WNWL-12W-MN-WF-STBL-WET-12"-DIM-27K

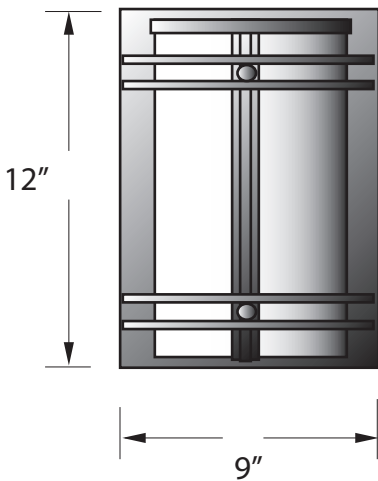
SPECIFICATION FEATURES		Date 04-25-23
Dimensions	12" H x 9" W x 6" D	
Lamps	12 watts of LED- 2700 Kelvin	
Material	Aluminum	
Finish	Metallic Nickel powdercoat	
Lens	White Frosted Acrylic	
Label	ETL Wet Location	
Weight		
Type		
Description	Exterior Sconce	

PROJECT:

SPECIFIER:

924 lumens with 0 to 10 volt dimming

Solid Top / Bottom Lens



MADE IN USA
BAA and BABA compliant
Drawings are not to scale.

EVERGREEN LIGHTING WWW.EVERGREENLIGHTING.COM
1379 Ridgway St. Pomona, CA 91768 PHONE: (909) 865-5599 FAX: (909) 865-5539

MADE IN USA ● Information appearing hereon is proprietary and confidential and may not be used without the permission of Evergreen Lighting.