



**EVERGREEN
LIGHTING**

ARM MOUNT

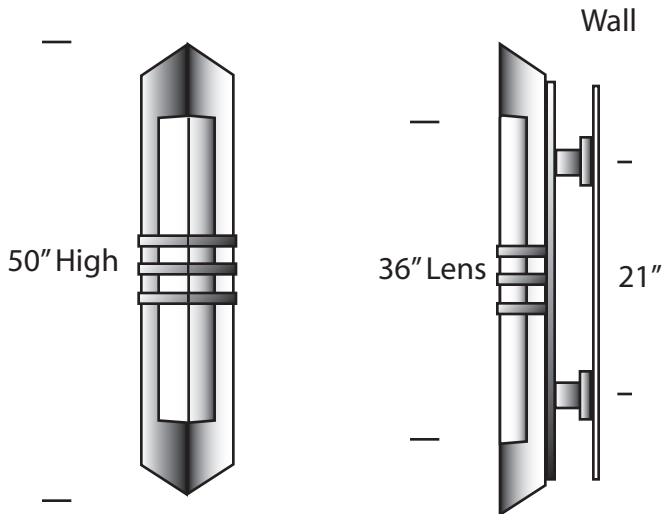
CHTRI-2ARM-50W-BA-WF-DIM-WET-35K

SPECIFICATION FEATURES		Date 01-22-24
Dimensions	50" H x 8" W x 12" E	
Lamps	50 Watts of LED - 3500 Kelvin	
Material	Aluminum	
Finish	Brushed Aluminum	
Lens	White Frosted Acrylic	
Label	WET Location	
Voltage	120 / 277	
Description	ARM Mount Exterior	

PROJECT:

SPECIFIER:

4,350 lumens with 0 to 10 volt dimming



Concept drawings are not to scale.

MADE IN USA
BAA and BABA compliant

EVERGREEN LIGHTING WWW.EVERGREENLIGHTING.COM
1379 Ridgeway St. Pomona, CA 91768 PHONE: (909) 865-5599 FAX: (909) 865-5539



MADE IN USA ● Information appearing hereon is proprietary and confidential and may not be used without the permission of Evergreen Lighting.

MADE IN USA