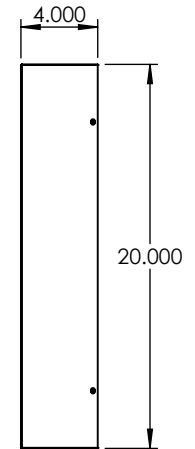
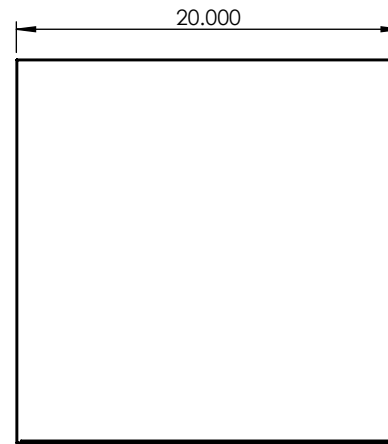
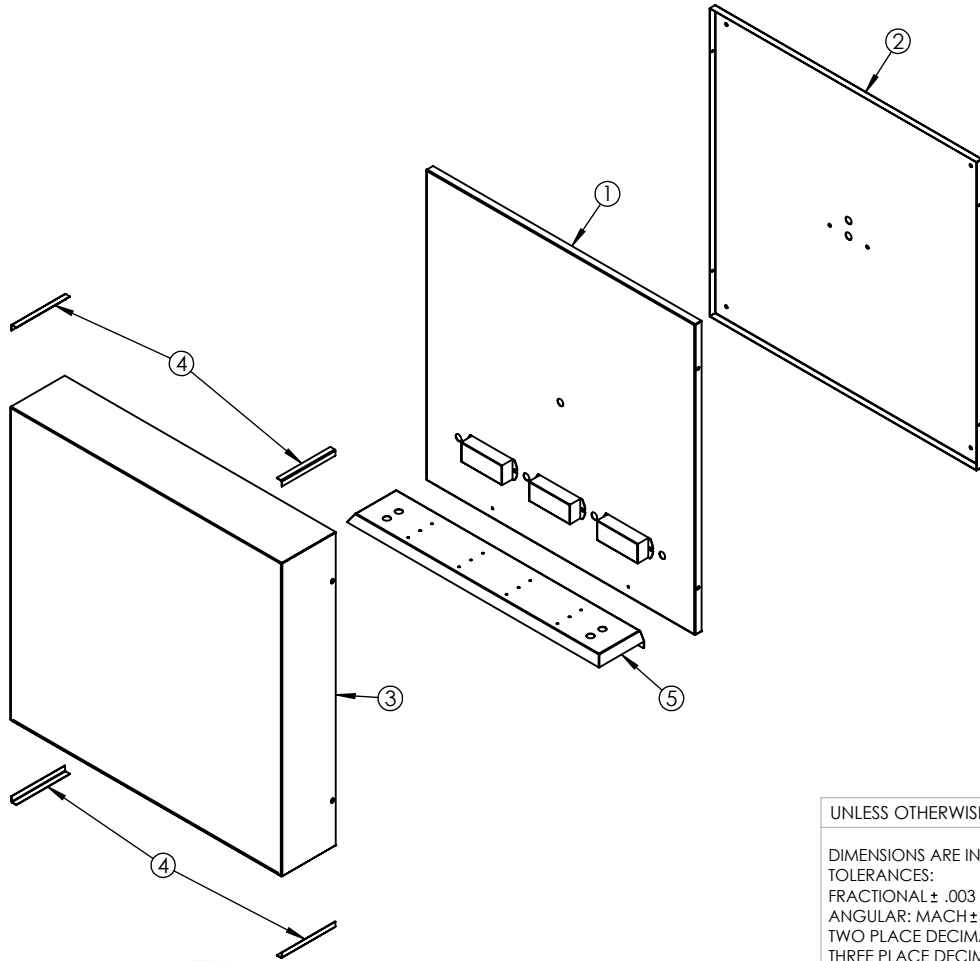
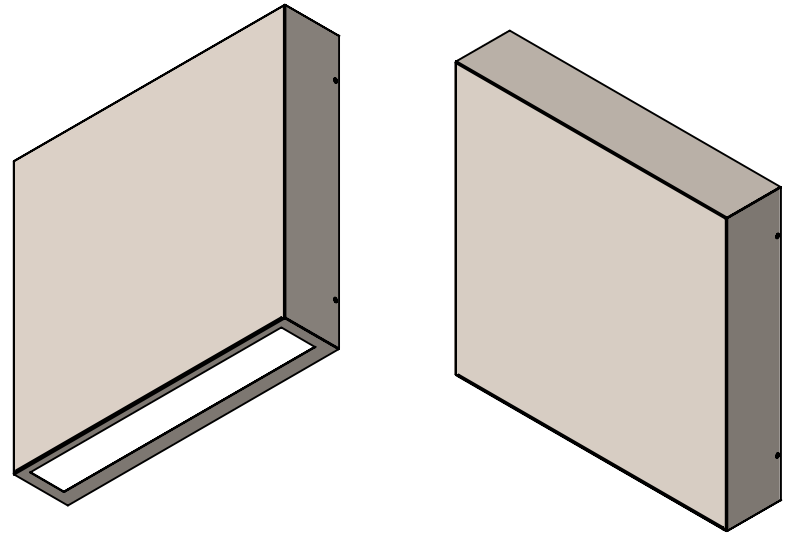


ITEM NO.	PART NUMBER	DESCRIPTION	QTY.	CUT
1	BX-DN-20SQADA-40W-AB-CA-DIM-WET-40K-BACKPLATE	22 GAUGE	1	
2	BX-DN-20SQADA-40W-AB-CA-DIM-WET-40K-FIREPLATE	22 GAUGE	1	
3	BX-DN-20SQADA-40W-AB-CA-DIM-WET-40K-FRAME	22 GAUGE	1	
4	BX-DN-20SQADA-40W-AB-CA-DIM-WET-40K-BACKPLATE TAB	22 GAUGE	4	
5	BX-DN-20SQADA-40W-AB-CA-DIM-WET-40K-LED BRACKET	22 GAUGE	1	
6	BX-DN-20SQADA-40W-AB-CA-DIM-WET-40K-ACRYLIC	ACRYLIC	1	
7	DS-15W-350C1542010-3001	DRIVER	3	
8	Altiled_PN1010_RevD	LED	6	



UNLESS OTHERWISE SPECIFIED:

DIMENSIONS ARE IN INCHES  
 TOLERANCES:  
 FRACTIONAL ± .003  
 ANGULAR: MACH ± .01 BEND ±  
 TWO PLACE DECIMAL ±  
 THREE PLACE DECIMAL ± .001

INTERPRET GEOMETRIC  
 TOLERANCING PER:

MATERIAL

FINISH

	NAME	DATE
DRAWN		
CHECKED		
ENG APPR.		
MFG APPR.		
Q.A.		

COMMENTS:

TITLE:

BX-DN-20SQADA-40W-AB-CA-DIM-WET-40K

SIZE	DWG. NO.	REV
<b>A</b>	<b>TICKET 27448</b>	

SCALE: 1:10	WEIGHT:	SHEET 1 OF 7
-------------	---------	--------------



ALL BEND RADIUS .030"

APPLICATION

DO NOT SCALE DRAWING

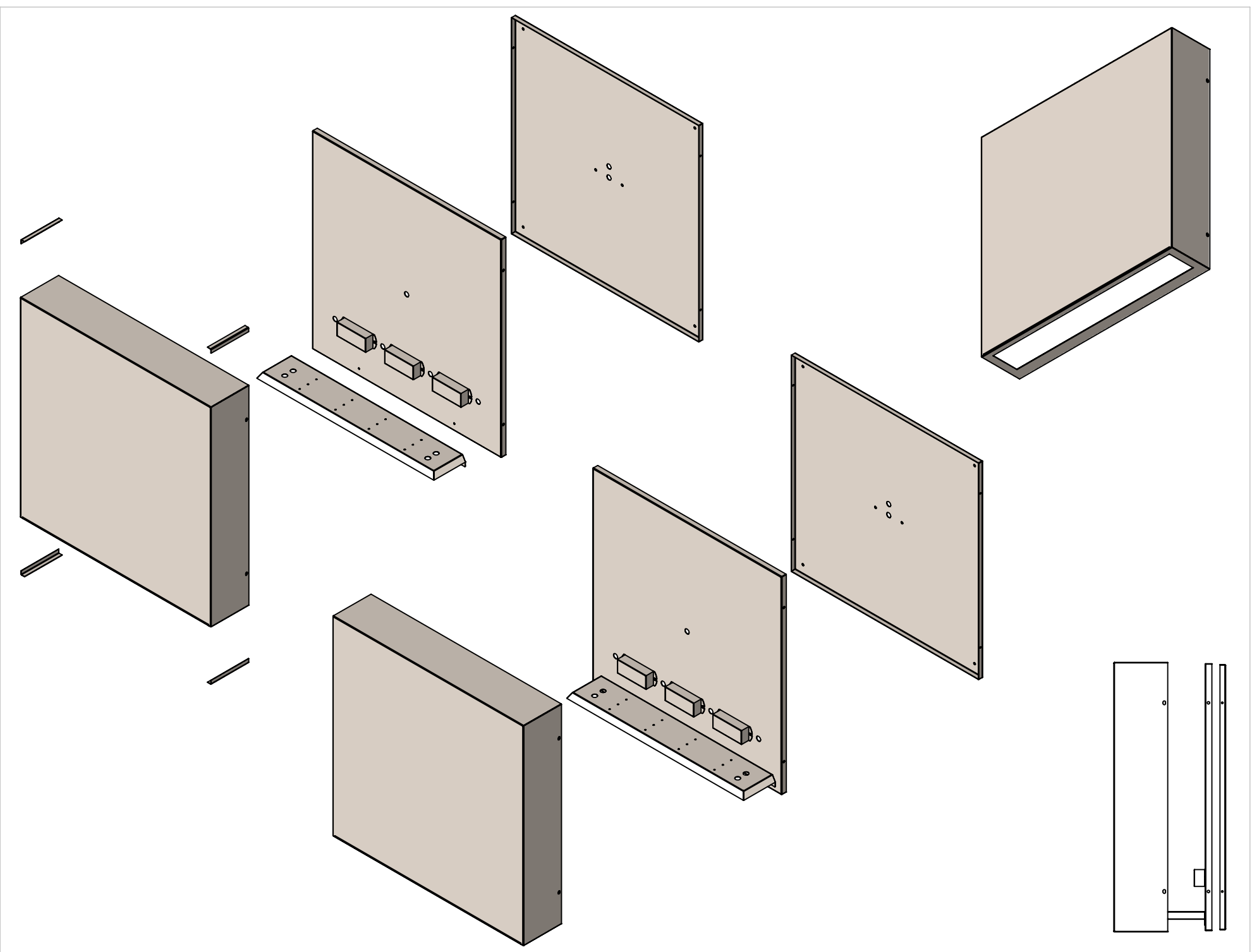
5

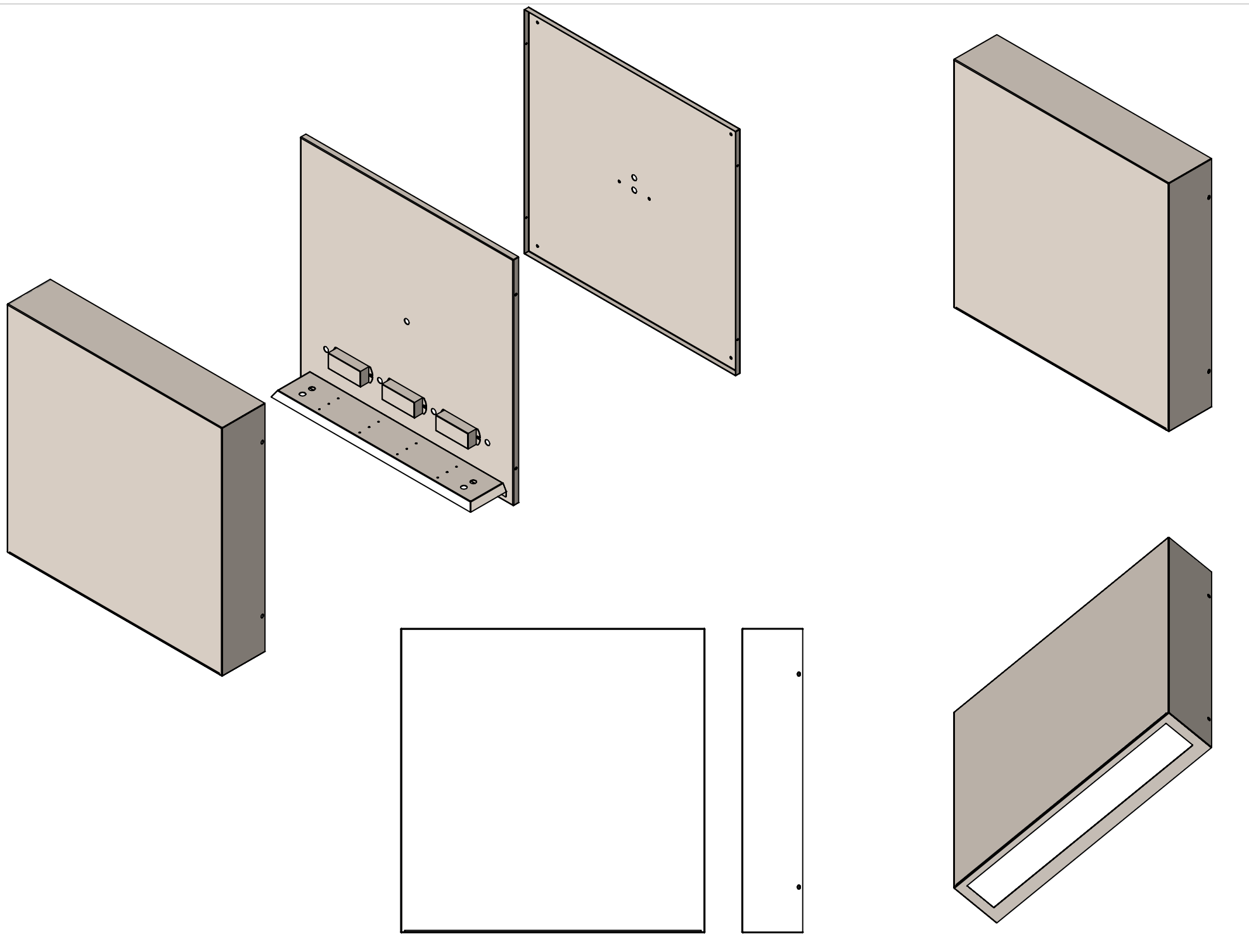
4

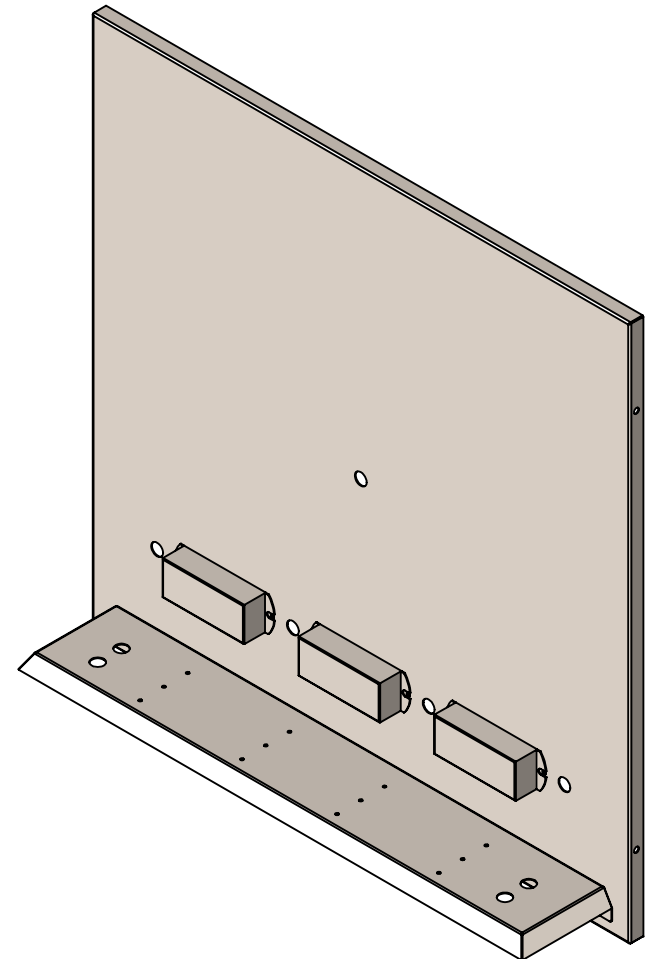
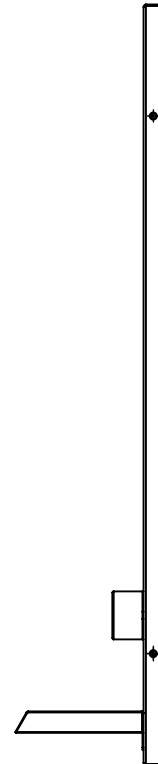
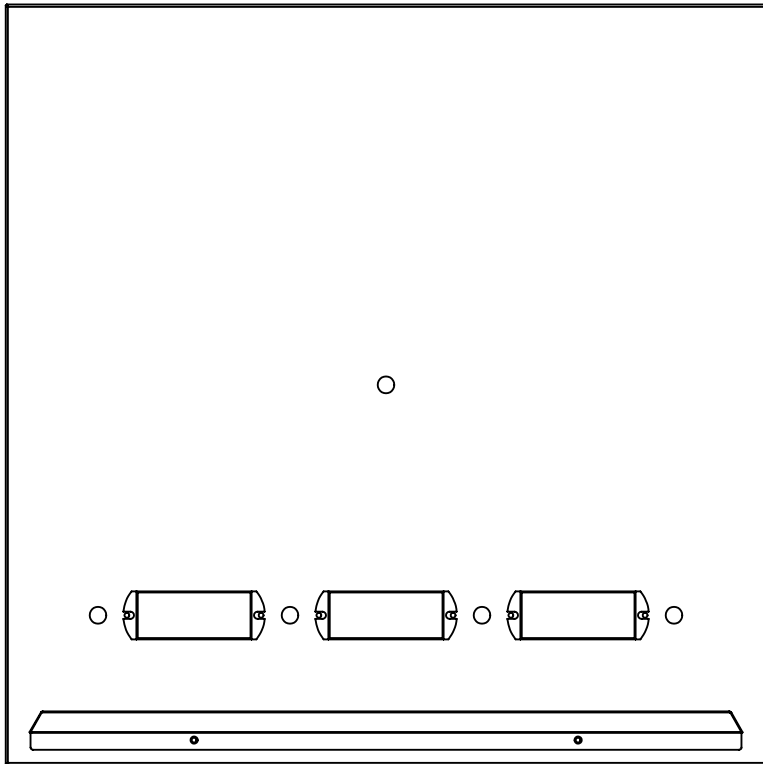
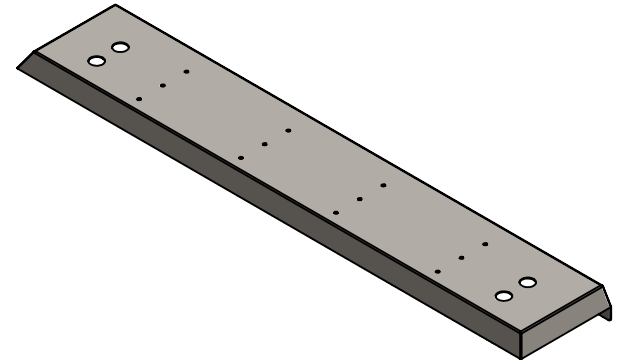
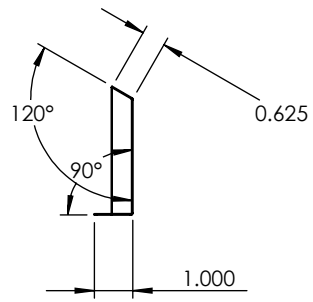
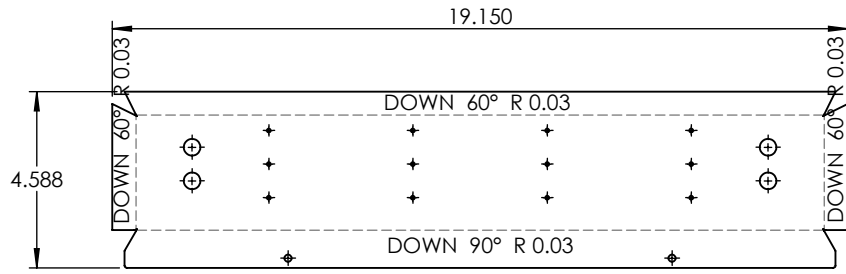
3

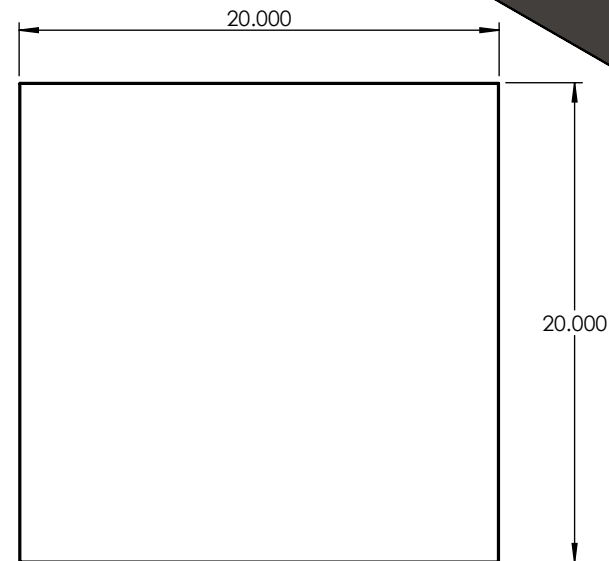
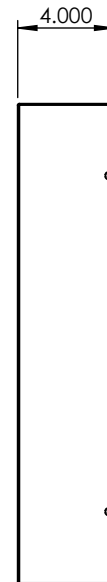
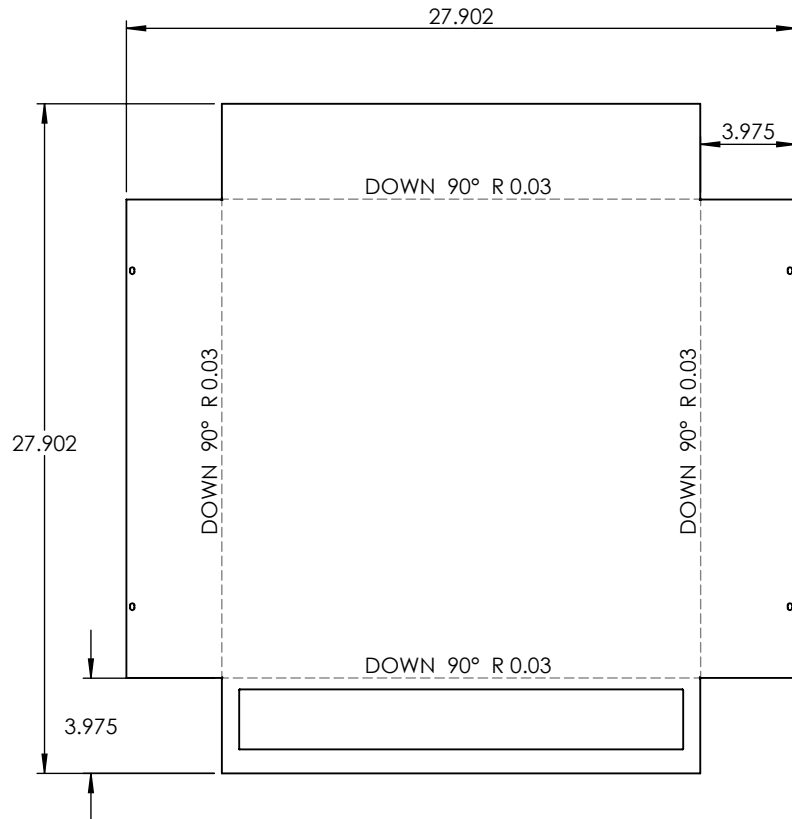
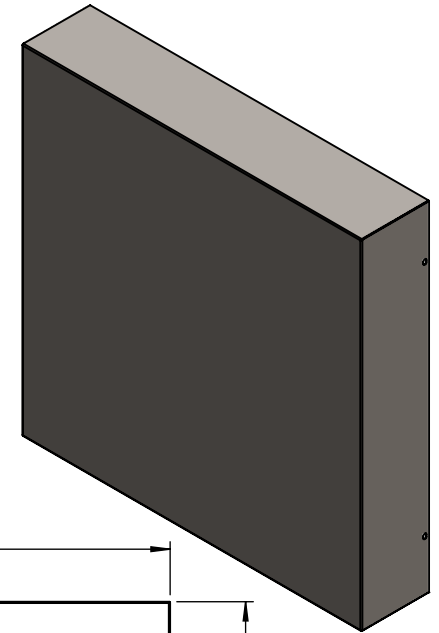
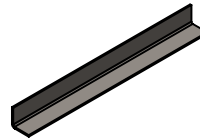
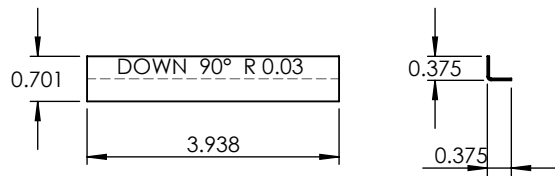
2

1









UNLESS OTHERWISE SPECIFIED:

DIMENSIONS ARE IN INCHES  
 TOLERANCES:  
 FRACTIONAL ±  
 ANGULAR: MACH ± BEND ±  
 TWO PLACE DECIMAL ±  
 THREE PLACE DECIMAL ±

INTERPRET GEOMETRIC  
 TOLERANCING PER:

MATERIAL

FINISH

DO NOT SCALE DRAWING

NAME DATE

DRAWN  
 CHECKED  
 ENG APPR.  
 MFG APPR.

Q.A.  
 COMMENTS:

22 GAUGE

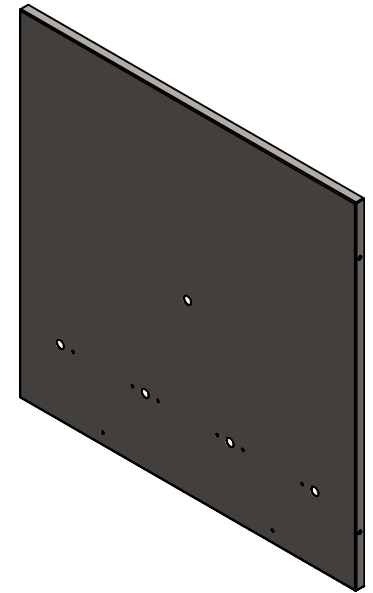
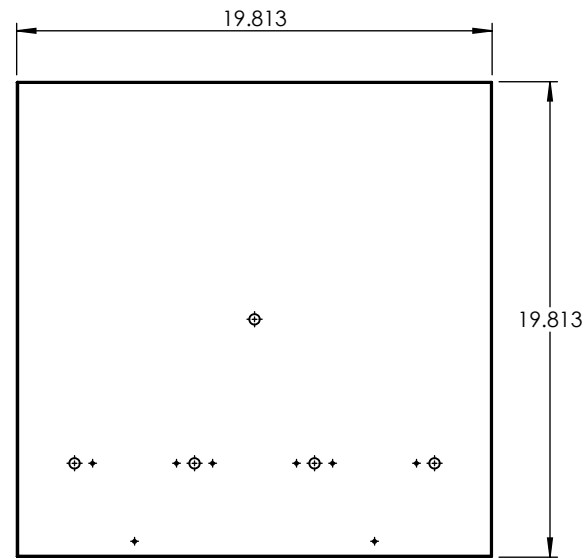
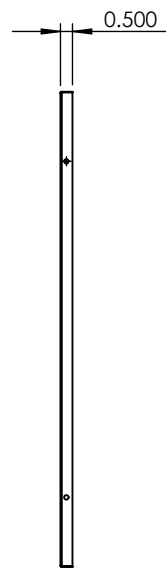
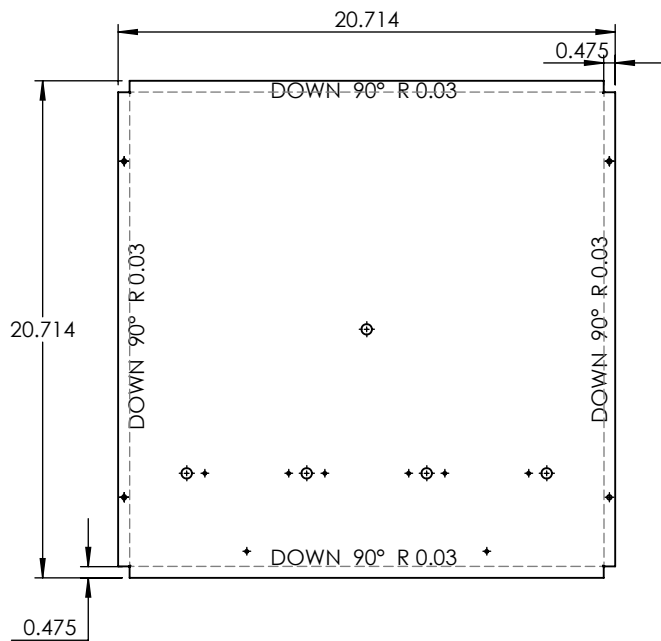
TITLE:

BX-DN-20SQADA-40W-AB-CA-DIM-WET-40K

**PROPRIETARY AND CONFIDENTIAL**  
 THE INFORMATION CONTAINED IN THIS  
 DRAWING IS THE SOLE PROPERTY OF  
 <INSERT COMPANY NAME HERE>. ANY  
 REPRODUCTION IN PART OR AS A WHOLE  
 WITHOUT THE WRITTEN PERMISSION OF  
 <INSERT COMPANY NAME HERE> IS  
 PROHIBITED.

NEXT ASSY	USED ON
APPLICATION	

SIZE	DWG. NO.	REV
<b>A</b>		
SCALE: 1:8	WEIGHT:	SHEET 5 OF 7



**PROPRIETARY AND CONFIDENTIAL**  
 THE INFORMATION CONTAINED IN THIS DRAWING IS THE SOLE PROPERTY OF <INSERT COMPANY NAME HERE>. ANY REPRODUCTION IN PART OR AS A WHOLE WITHOUT THE WRITTEN PERMISSION OF <INSERT COMPANY NAME HERE> IS PROHIBITED.

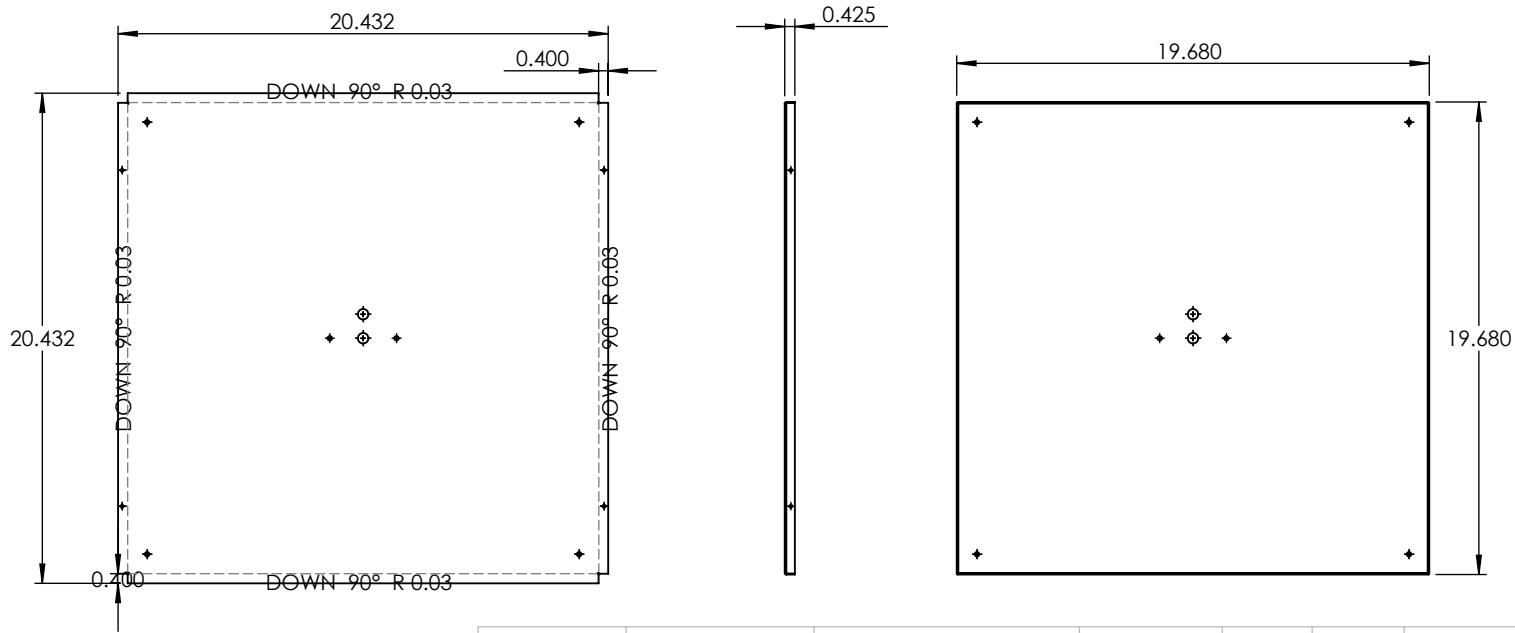
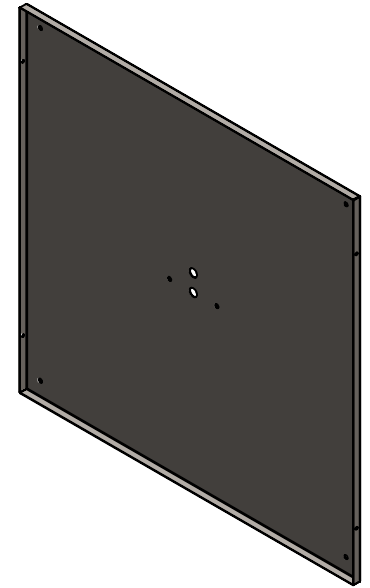
		UNLESS OTHERWISE SPECIFIED:		NAME	DATE
		DIMENSIONS ARE IN INCHES	DRAWN		
		TOLERANCES:	CHECKED		
		FRACTIONAL ±	ENG APPR.		
		ANGULAR: MACH ± BEND ±	MFG APPR.		
		TWO PLACE DECIMAL ±	Q.A.		
		THREE PLACE DECIMAL ±	COMMENTS:		
		INTERPRET GEOMETRIC TOLERANCING PER:			
		MATERIAL			
NEXT ASSY	USED ON	FINISH			
APPLICATION		DO NOT SCALE DRAWING			

22 GAUGE

TITLE:

BX-DN-20SQADA-40W-AB-CA-DIM-WET-40K

SIZE	DWG. NO.	REV
<b>A</b>		
SCALE: 1:8	WEIGHT:	SHEET 6 OF 7



**PROPRIETARY AND CONFIDENTIAL**  
 THE INFORMATION CONTAINED IN THIS DRAWING IS THE SOLE PROPERTY OF <INSERT COMPANY NAME HERE>. ANY REPRODUCTION IN PART OR AS A WHOLE WITHOUT THE WRITTEN PERMISSION OF <INSERT COMPANY NAME HERE> IS PROHIBITED.

		UNLESS OTHERWISE SPECIFIED:		NAME	DATE	22 GAUGE		
		DIMENSIONS ARE IN INCHES TOLERANCES: FRACTIONAL ± ANGULAR: MACH ± BEND ± TWO PLACE DECIMAL ± THREE PLACE DECIMAL ±	DRAWN					TITLE:
		INTERPRET GEOMETRIC TOLERANCING PER:	CHECKED			BX-DN-20SQADA-40W-AB-CA-DIM-WET-40K		
		MATERIAL	ENG APPR.					
		FINISH	MFG APPR.			Q.A.		
NEXT ASSY	USED ON		COMMENTS:			SIZE	DWG. NO.	REV
APPLICATION		DO NOT SCALE DRAWING				<b>A</b>		
						SCALE: 1:8	WEIGHT:	SHEET 7 OF 7

5

4

3

2

1