



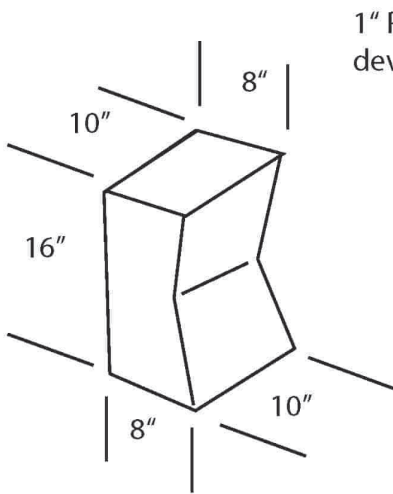
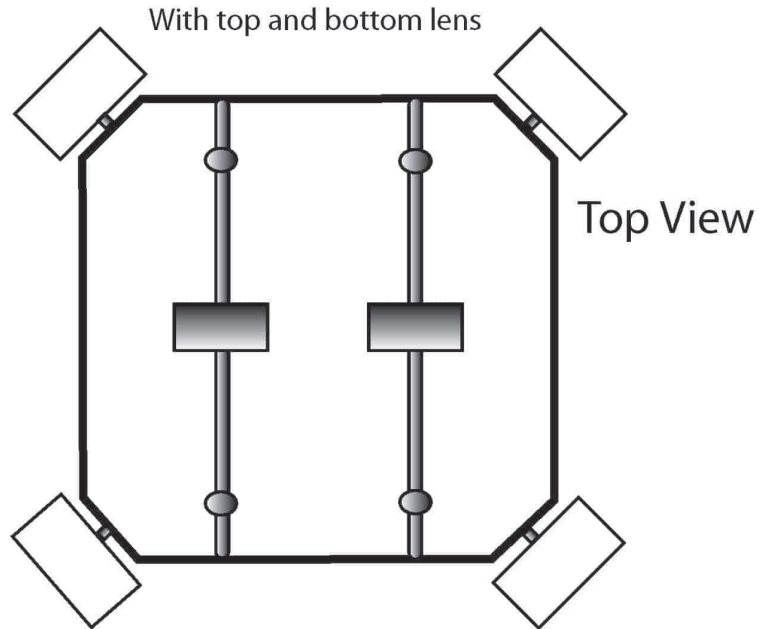
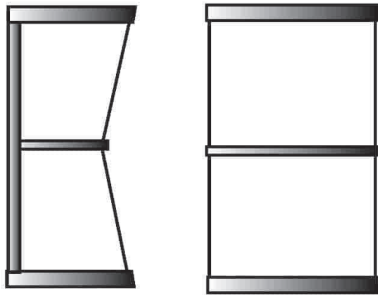
**EVERGREEN
LIGHTING**

**SPECIAL PENDANT MOUNT
2STM-P-48X48-4LT-240W-9-WF**

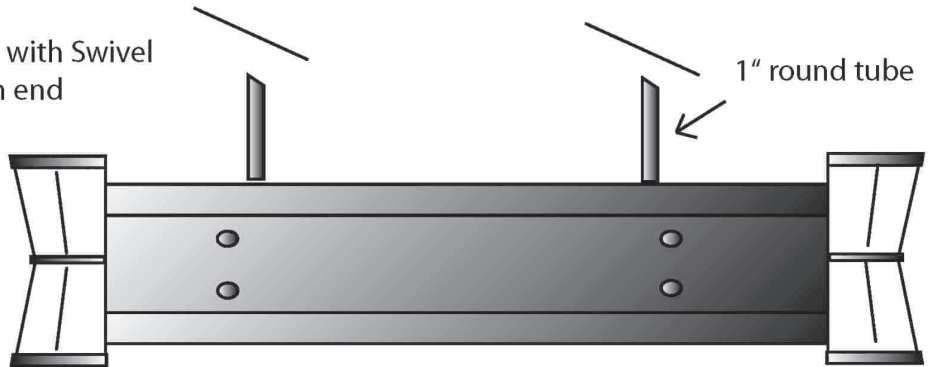
SPECIFICATION FEATURES		Date 01-26-17
Dimensions	4 x 4 nominal Fixture	
Lamps	4 X 60 watts each head - 3500K	
Material	Aluminum	
Finish	Standard finish TBD	
Lens	White Frosted Acrylic	
Label	Damp Location	
Voltage	120 / 277	
Description	Pendant	

PROJECT:

SPECIFIER:



1" Round tube with Swivel device on each end



EVERGREEN LIGHTING WWW.EVERGREENLIGHTING.COM
1379 Ridgeway St. Pomona, CA 91768 PHONE: (909) 865-5599 FAX: (909) 865-5539



MADE IN USA • Information appearing hereon is proprietary and confidential and may not be used without the permission of Evergreen Lighting.

MADE IN USA