



**EVERGREEN  
LIGHTING**

## LED POST TOP FIXTURE AALHD-50LED-BRZ-9-120V

REV: 0

### SPECIFICATION FEATURES

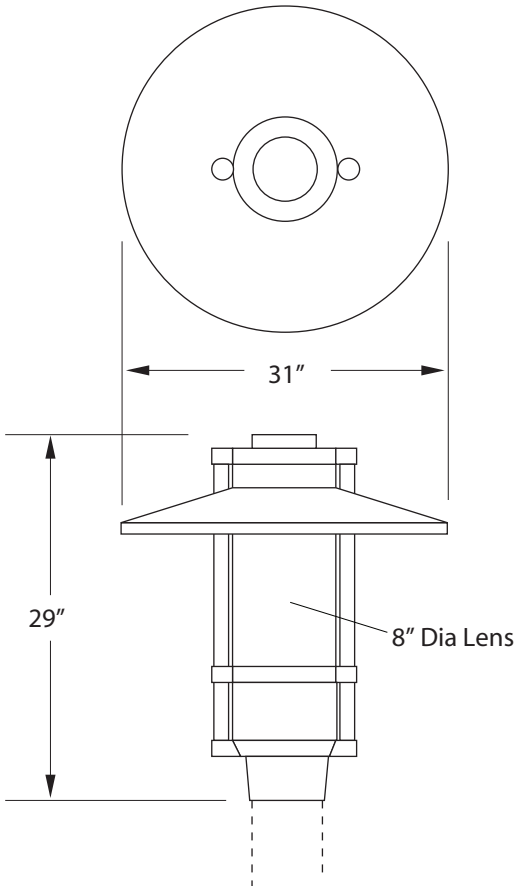
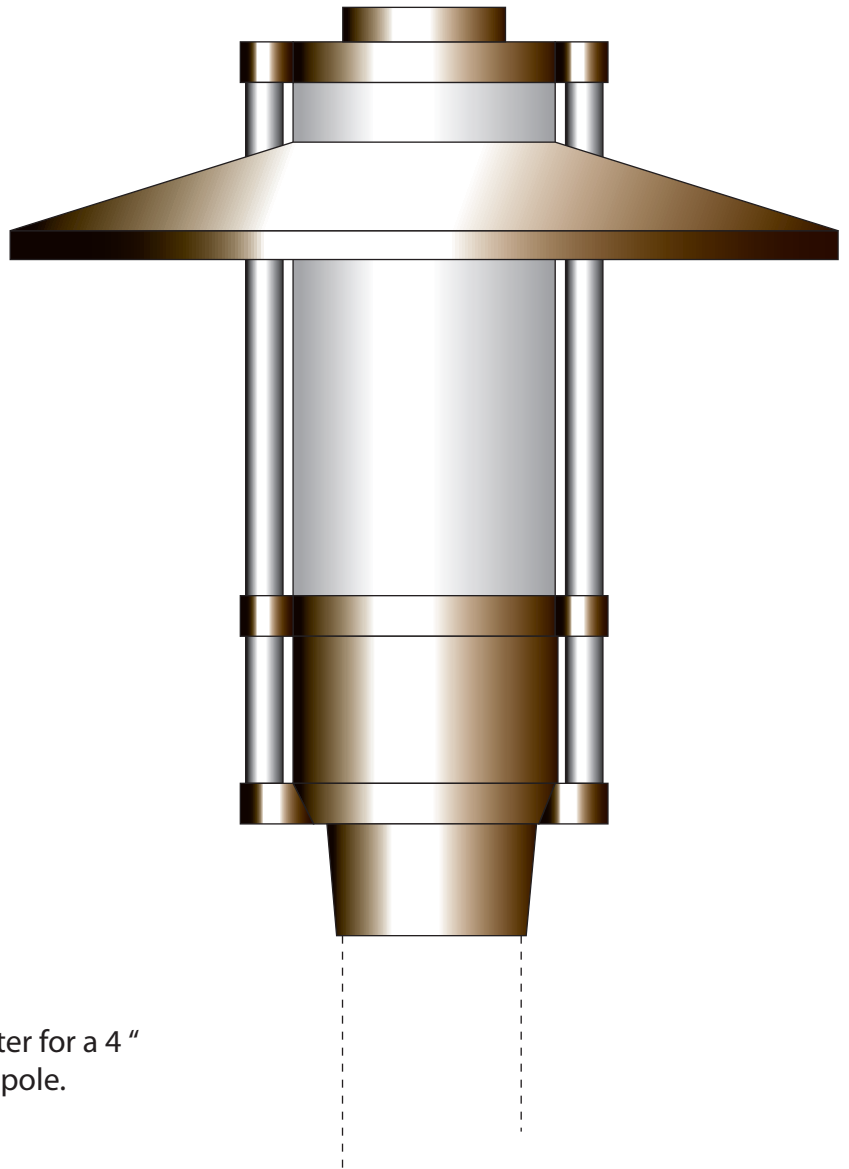
Date  
05-10-16

PROJECT:

Agave

SPECIFIER:

Dimensions	Hood 31" dia x 8" Lens dia. X 29" H
Lamps	50 Watts Alta LED
Material	Aluminum
Finish	Bronze Powdercoat
Lens	White Acrylic
Label	Wet Location
Voltage	120
Description	LED Post Top Cylinder Fixture



Slip fitter for a 4"  
round pole.

EVERGREEN LIGHTING WWW.EVERGREENLIGHTING.COM  
1379 Ridgeway St. Pomona, CA 91768 PHONE: (909) 865-5599 FAX: (909) 865-5539



MADE IN USA ● Information appearing hereon is proprietary and confidential and may not be used without the permission of Evergreen Lighting.