

UNLESS OTHERWISE SPECIFIED:

DIMENSIONS ARE IN INCHES  
 TOLERANCES:  
 FRACTIONAL  $\pm .003$   
 ANGULAR: MACH  $\pm .01$  BEND  $\pm$   
 TWO PLACE DECIMAL  $\pm$   
 THREE PLACE DECIMAL  $\pm .001$

INTERPRET GEOMETRIC TOLERANCING PER:

MATERIAL

FINISH

DO NOT SCALE DRAWING

NAME DATE

DRAWN

CHECKED

ENG APPR.

MFG APPR.

Q.A.

COMMENTS:

TITLE:

A C P-LA -T-SR-6-26-120W-MN-WF-DIM-27K

SIZE DWG. NO. REV

**A**

SCALE: 1:16 WEIGHT: SHEET 1 OF 15

**EVERGREEN LIGHTING**

ALL BEND RADIUS .030"

APPLICATION

5

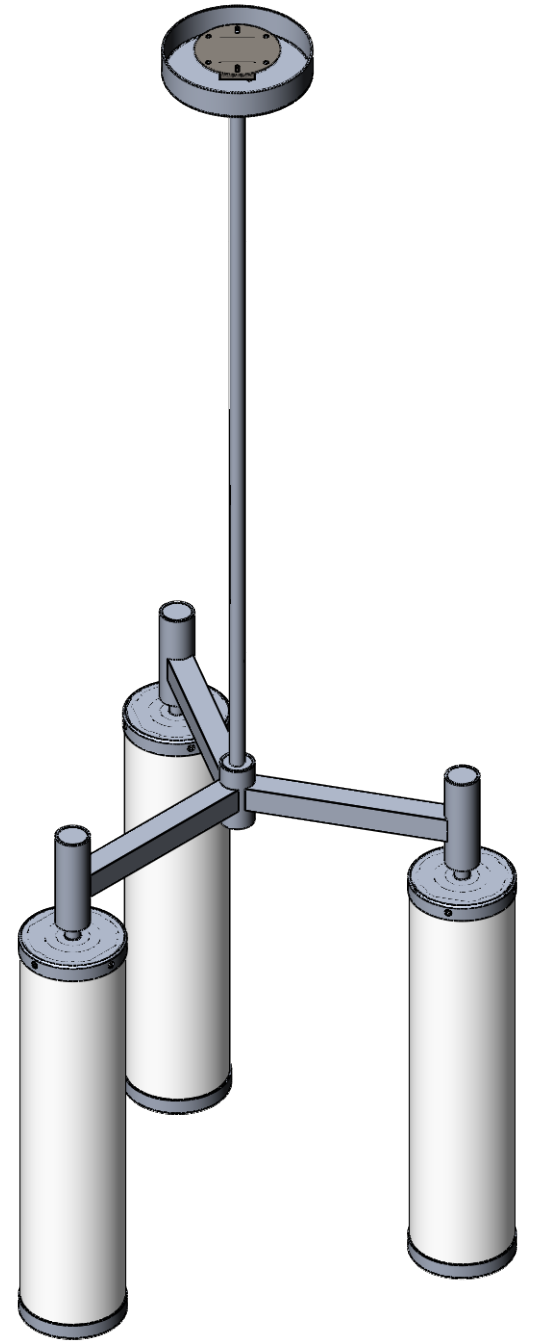
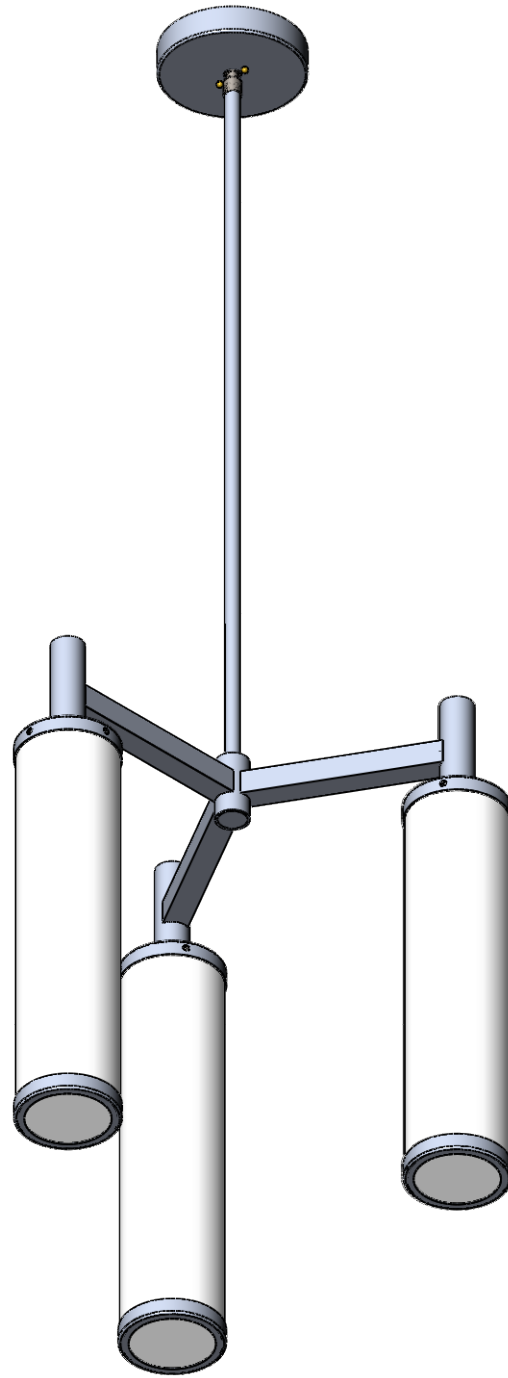
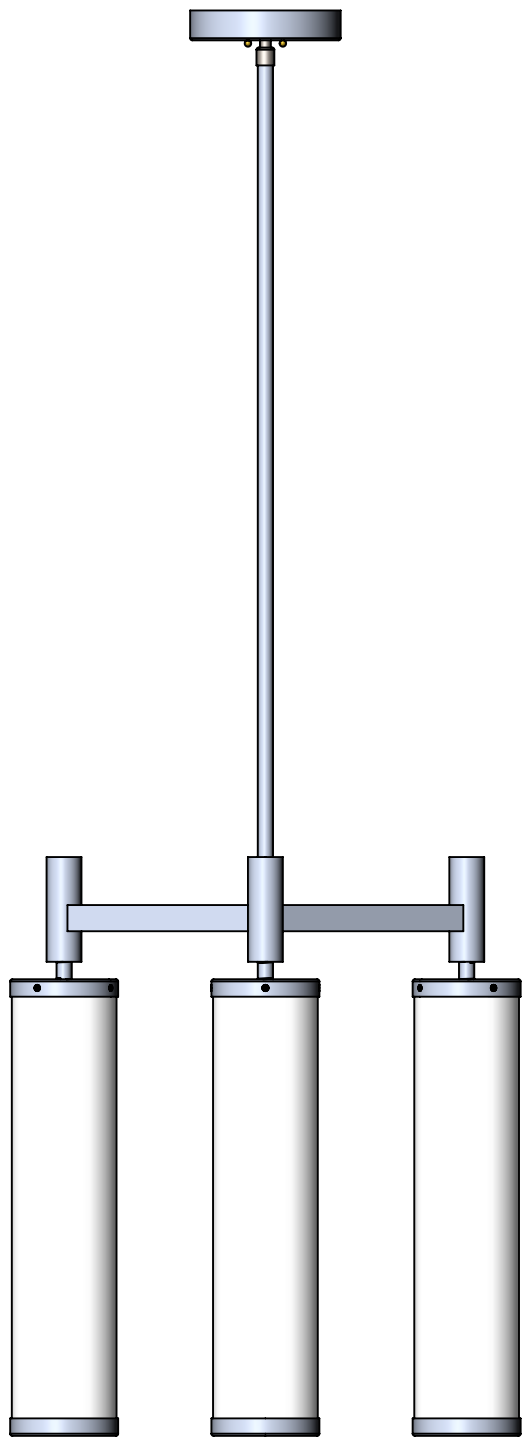
4

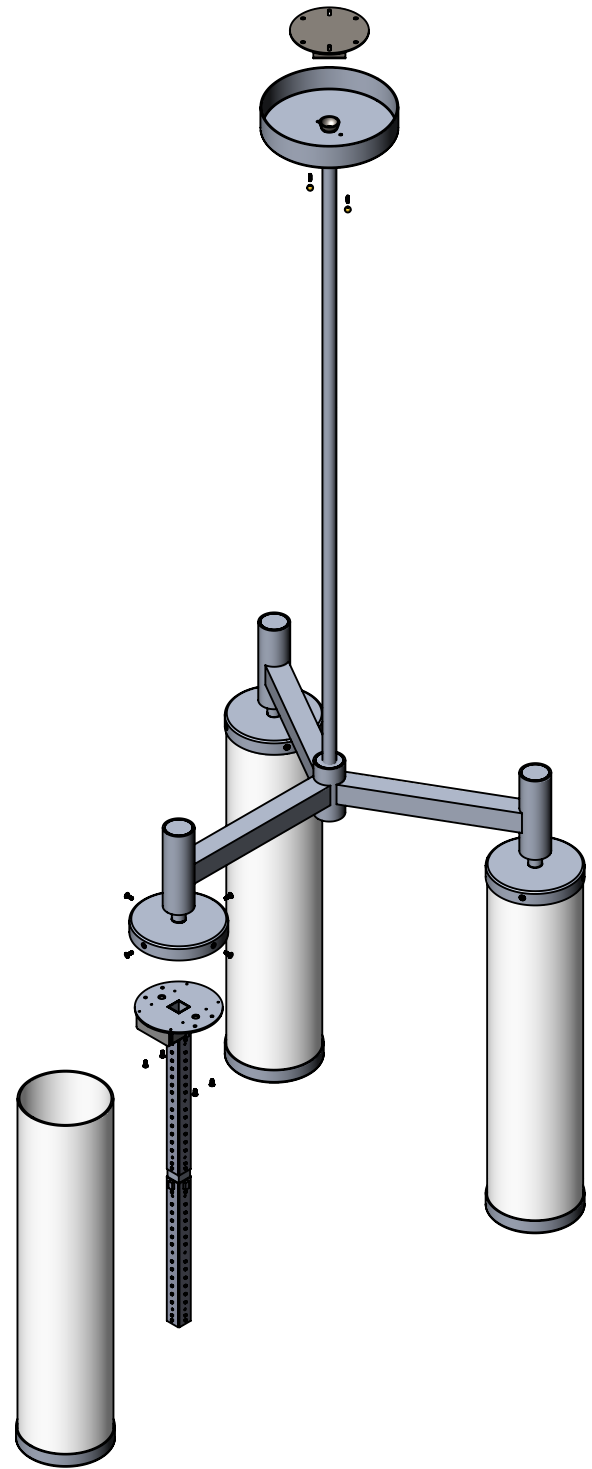
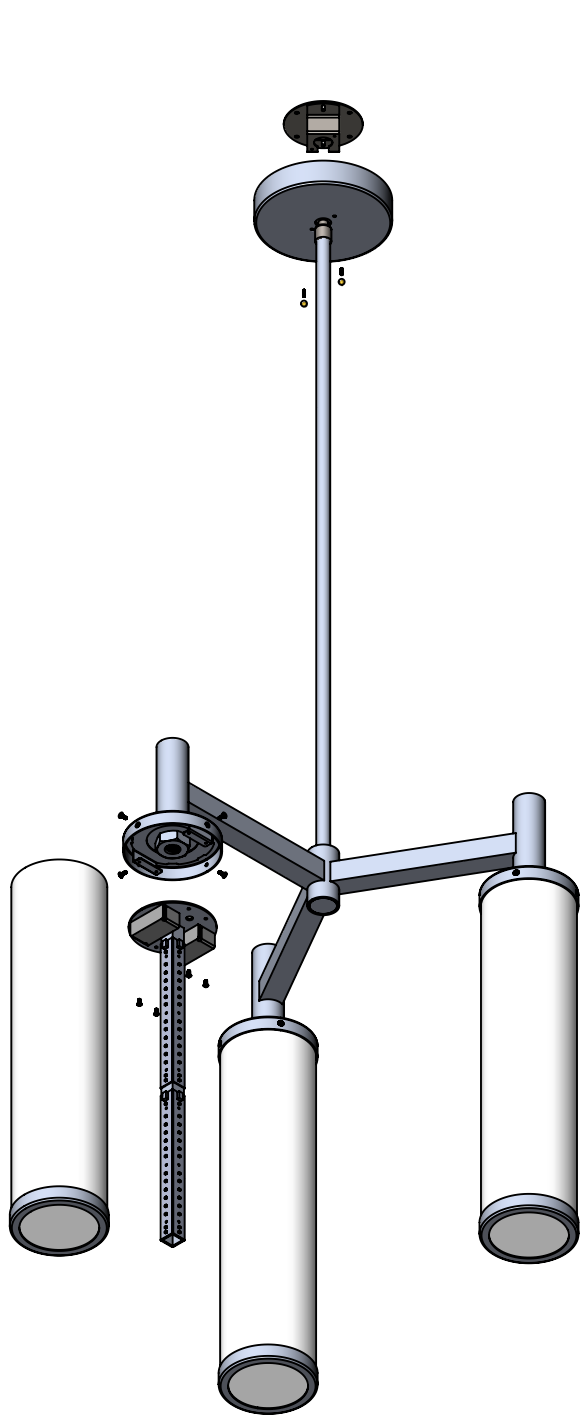
3

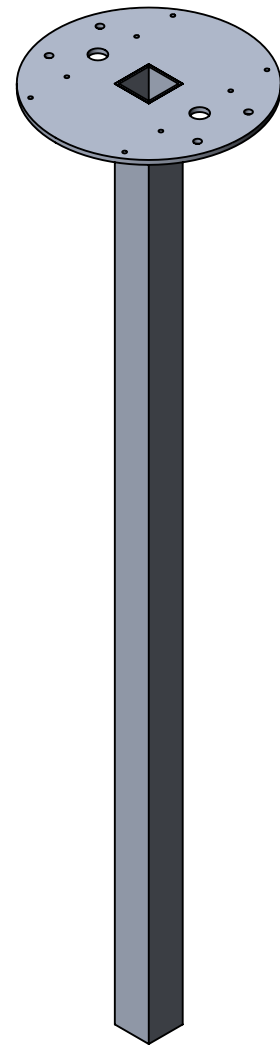
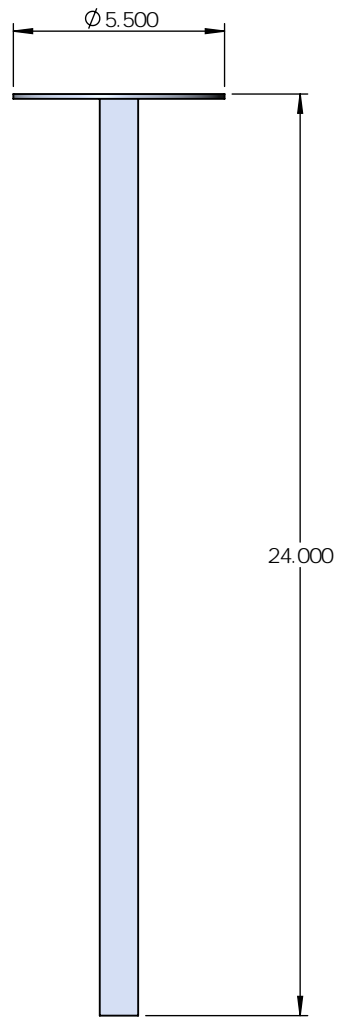
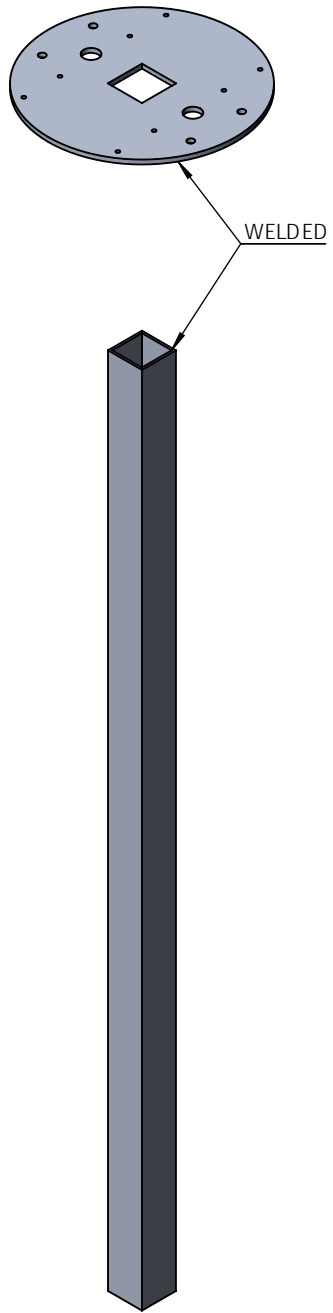
2

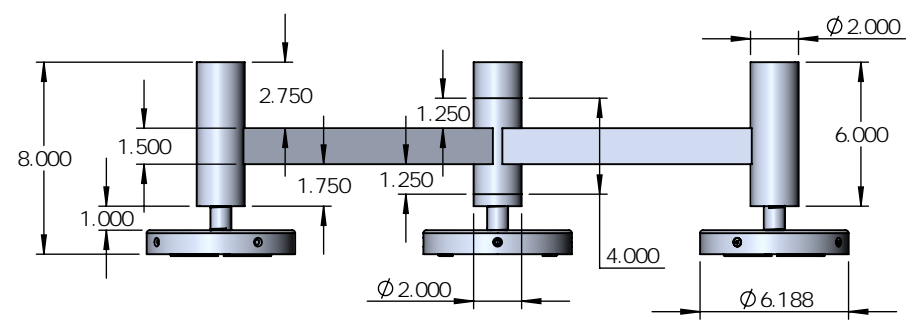
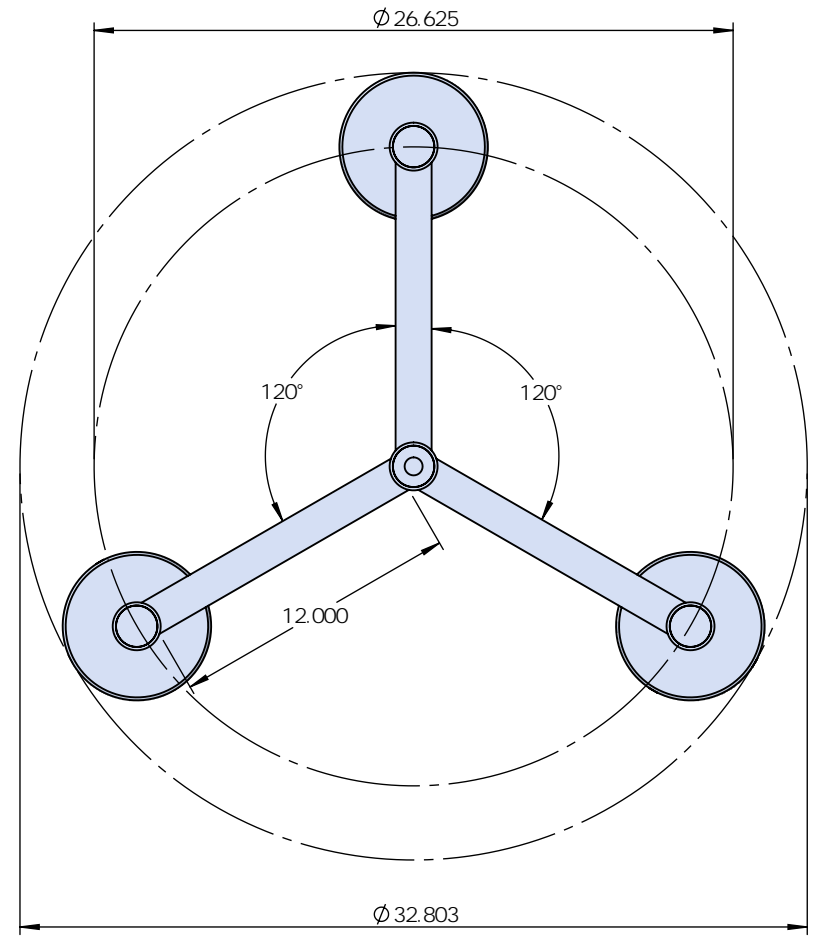
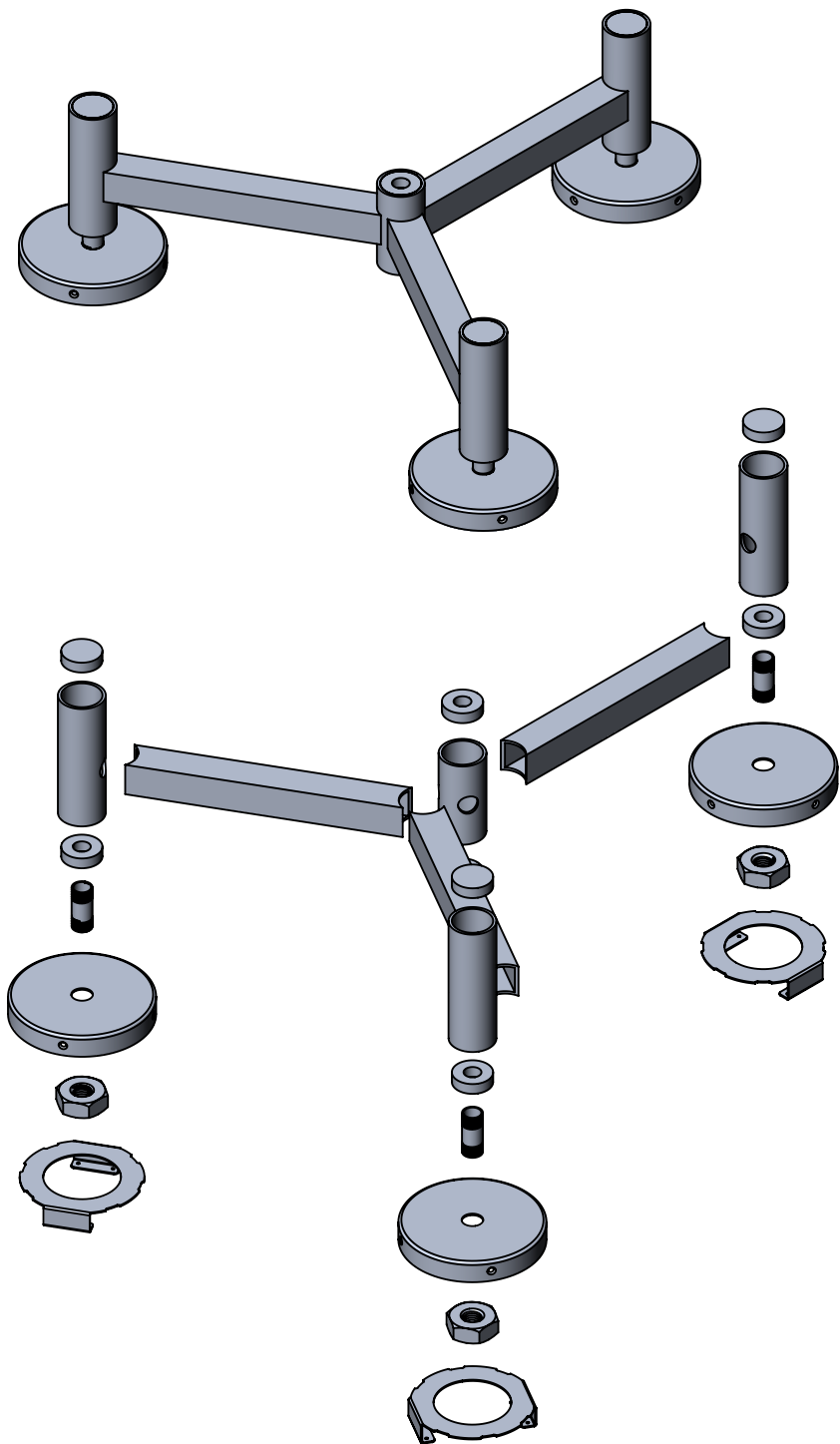
1

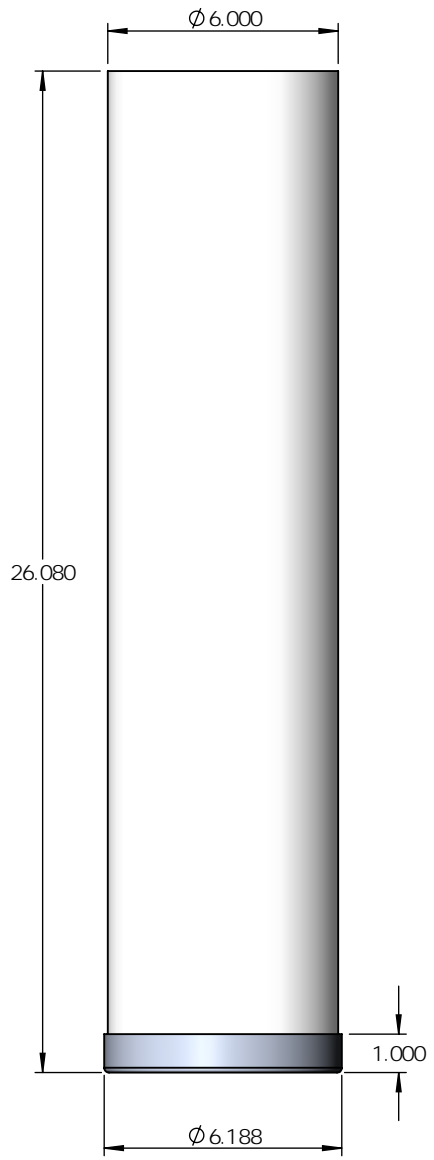




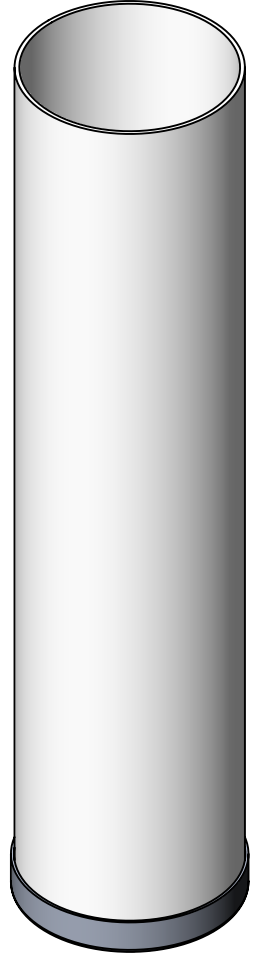
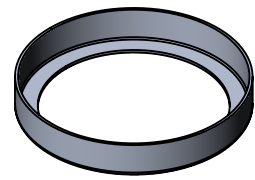
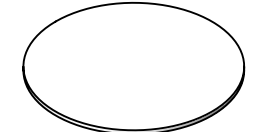
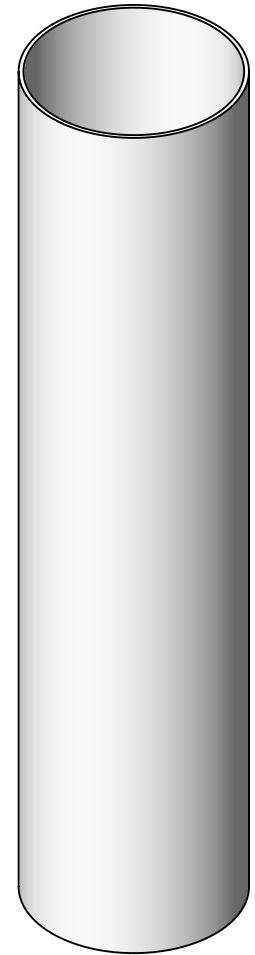
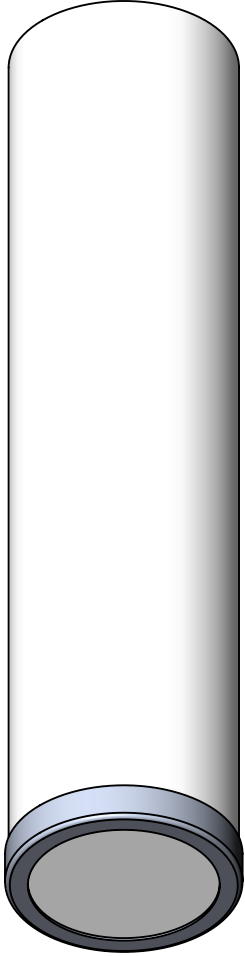
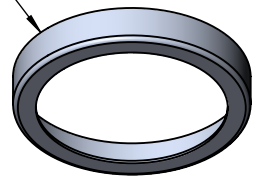
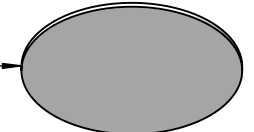
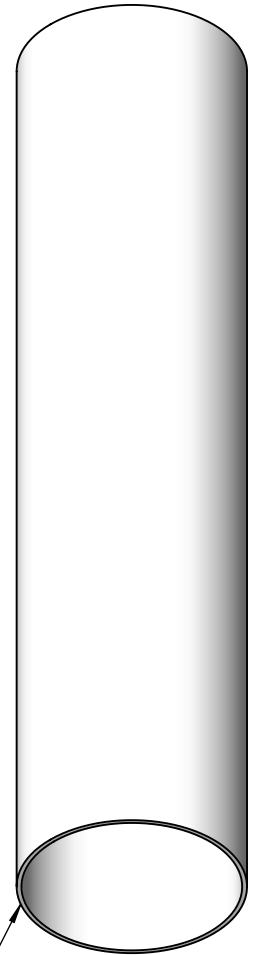


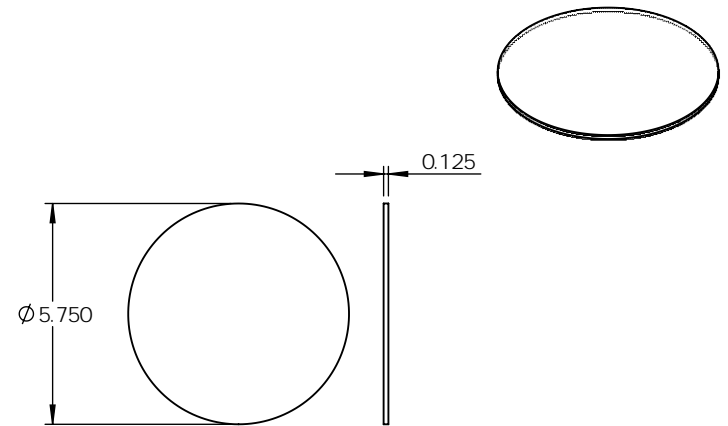
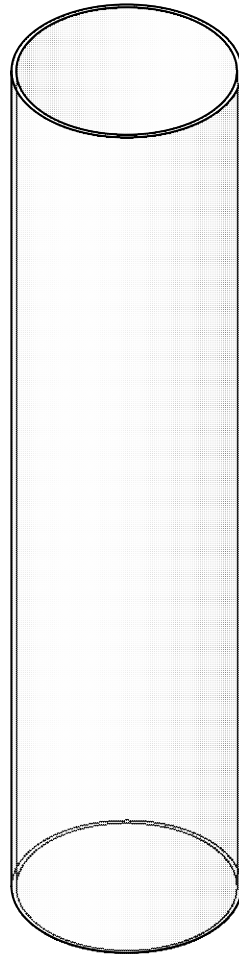
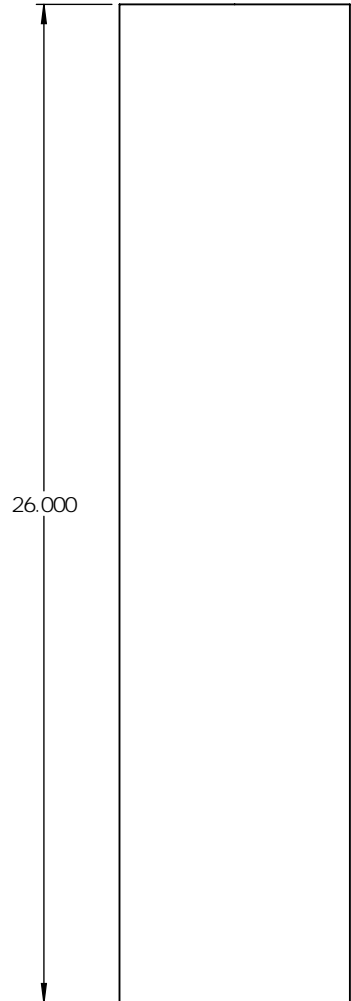
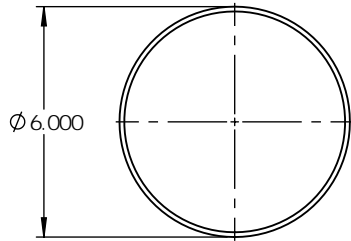






G LUED





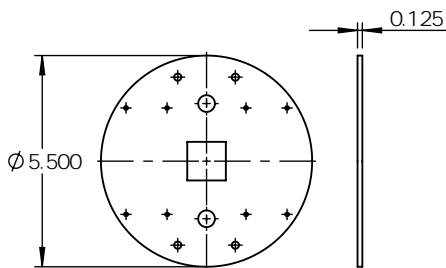
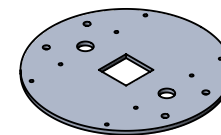
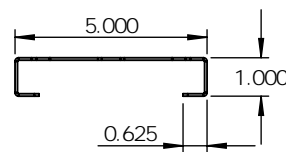
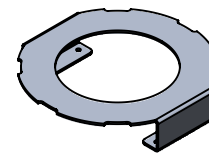
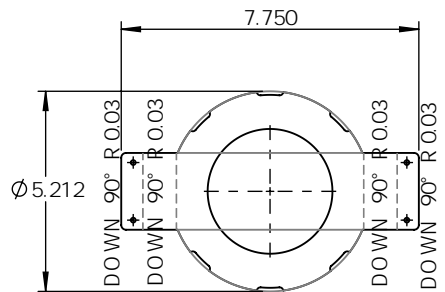
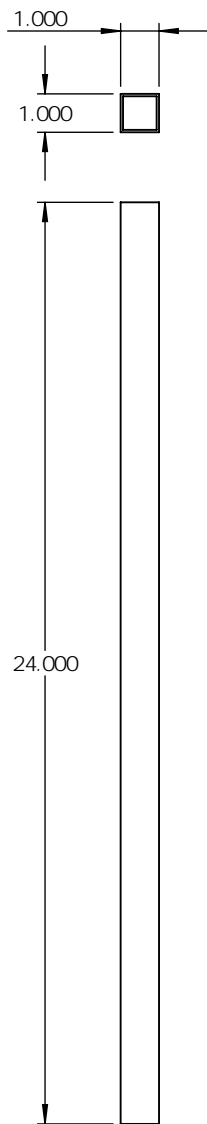
**PROPRIETARY AND CONFIDENTIAL**  
 THE INFORMATION CONTAINED IN THIS DRAWING IS THE SOLE PROPERTY OF <INSERT COMPANY NAME HERE>. ANY REPRODUCTION IN PART OR AS A WHOLE WITHOUT THE WRITTEN PERMISSION OF <INSERT COMPANY NAME HERE> IS PROHIBITED.

NEXT ASSY	USED ON
APPLICATION	

UNLESS OTHERWISE SPECIFIED:
DIMENSIONS ARE IN INCHES TOLERANCES: FRACTIONAL ± ANGULAR: MACH ± BEND ± TWO PLACE DECIMAL ± THREE PLACE DECIMAL ±
INTERPRET GEOMETRIC TOLERANCING PER:
MATERIAL
FINISH
DO NOT SCALE DRAWING

	NAME	DATE
DRAWN		
CHECKED		
ENG APPR.		
MFG APPR.		
Q.A.		
COMMENTS:		

ACRYLIC		
TITLE:		
ACP-LA-T-SR-6-26-120W-MN-WF-DIM-27K		
SIZE	DWG. NO.	REV
<b>A</b>		
SCALE: 1:5	WEIGHT:	SHEET 8 OF 15



**PROPRIETARY AND CONFIDENTIAL**  
 THE INFORMATION CONTAINED IN THIS DRAWING IS THE SOLE PROPERTY OF <INSERT COMPANY NAME HERE>. ANY REPRODUCTION IN PART OR AS A WHOLE WITHOUT THE WRITTEN PERMISSION OF <INSERT COMPANY NAME HERE> IS PROHIBITED.

		UNLESS OTHERWISE SPECIFIED:	NAME	DATE
		DIMENSIONS ARE IN INCHES TOLERANCES: FRACTIONAL ± ANGULAR: MACH ± BEND ± TWO PLACE DECIMAL ± THREE PLACE DECIMAL ±	DRAWN	
		INTERPRET GEOMETRIC TOLERANCING PER:	CHECKED	
		MATERIAL	ENG APPR.	
		FINISH	MFG APPR.	
NEXT ASSY	USED ON		Q.A.	
APPLICATION	DO NOT SCALE DRAWING		COMMENTS:	

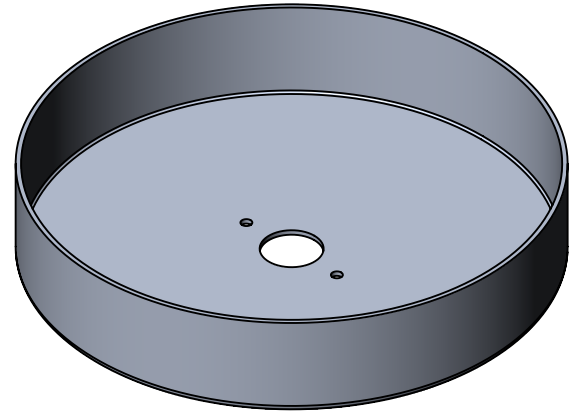
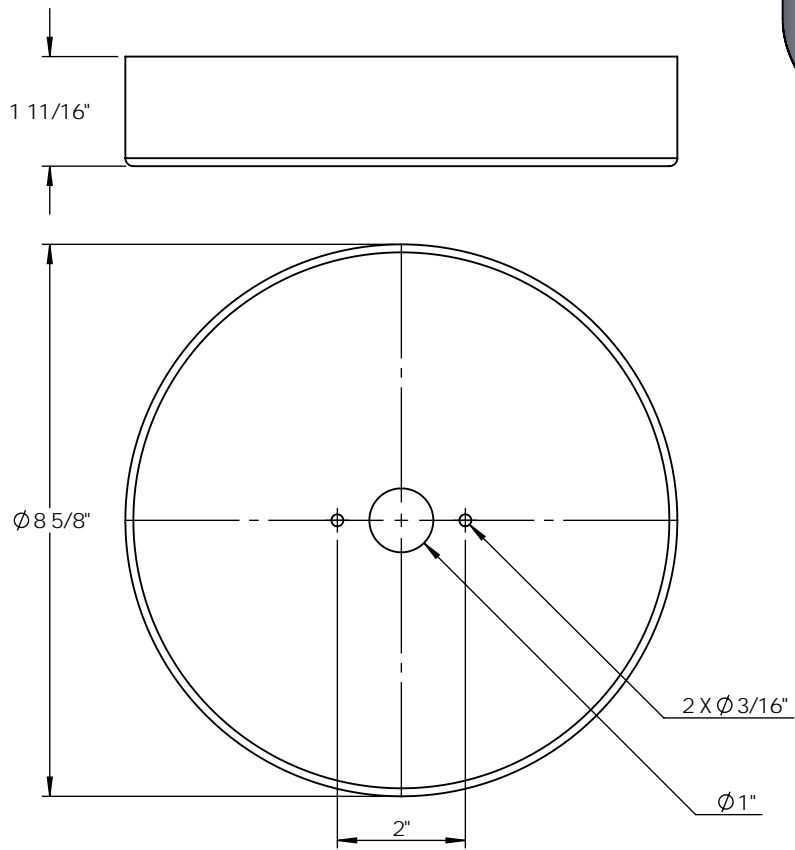
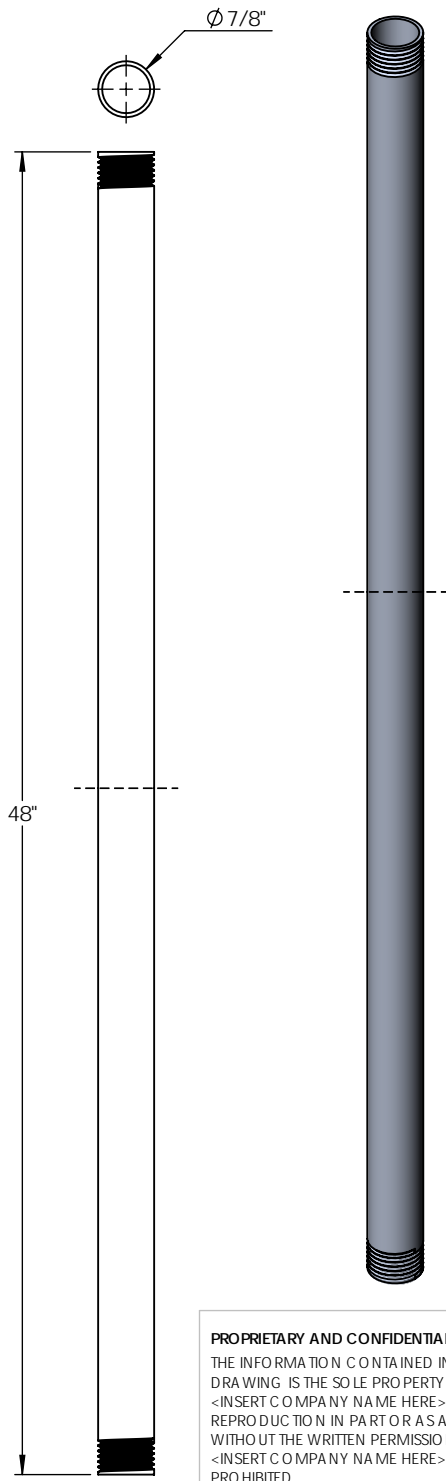
**A LUMINUM 0.0635"**

TITLE:  
**ACP-LA-T-SR-6-26-120W-MN-WF-DIM-27K**

SIZE DWG. NO. REV  
**A**

SCALE: 1:5 WEIGHT: SHEET 9 OF 15

ITEM NO.	PART NUMBER	DESCRIPTION	QTY.
1	8" SWIVEL CANOPY	SPUN ALUMINUM 0.080"	1



**PROPRIETARY AND CONFIDENTIAL**  
 THE INFORMATION CONTAINED IN THIS DRAWING IS THE SOLE PROPERTY OF <INSERT COMPANY NAME HERE>. ANY REPRODUCTION IN PART OR AS A WHOLE WITHOUT THE WRITTEN PERMISSION OF <INSERT COMPANY NAME HERE> IS PROHIBITED.

		UNLESS OTHERWISE SPECIFIED:	NAME	DATE
		DIMENSIONS ARE IN INCHES	DRAWN	
		TOLERANCES:	CHECKED	
		FRACTIONAL ±	ENG APPR.	
		ANGULAR: MACH ± BEND ±	MFG APPR.	
		TWO PLACE DECIMAL ±	Q.A.	
		THREE PLACE DECIMAL ±	COMMENTS:	
		INTERPRET GEOMETRIC TOLERANCING PER:		
		MATERIAL		
NEXT ASSY	USED ON	FINISH		
APPLICATION		DO NOT SCALE DRAWING		

7/8" ROUND ALUMINUM TUBE

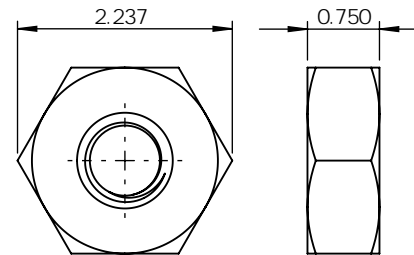
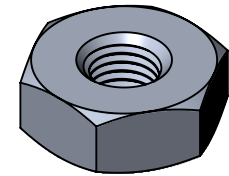
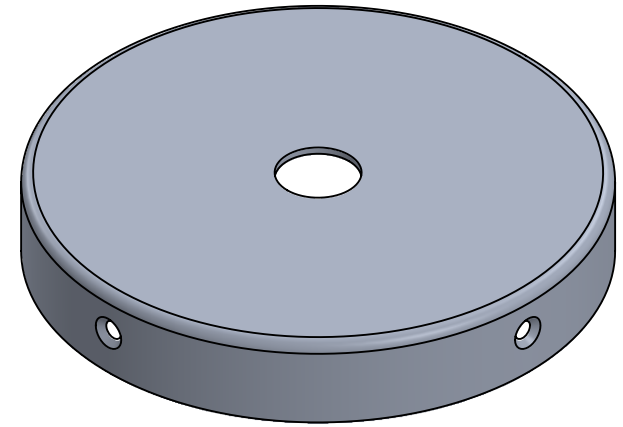
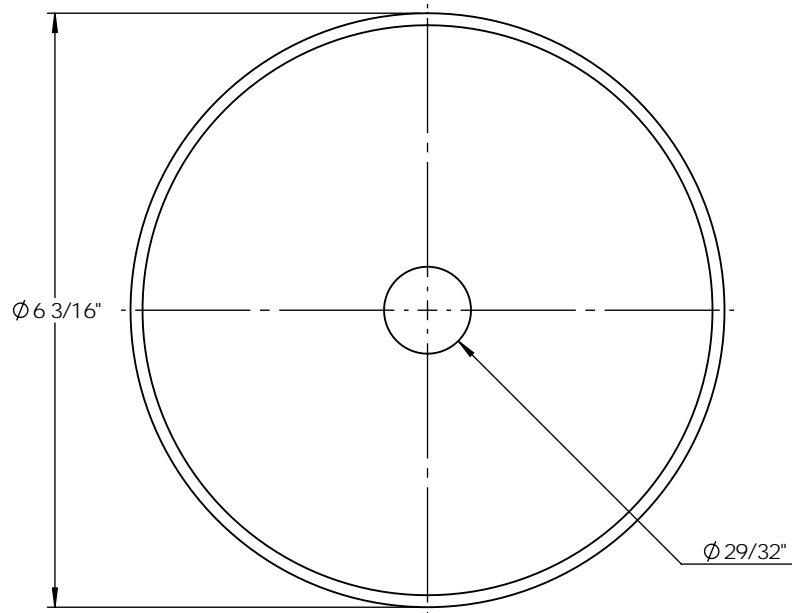
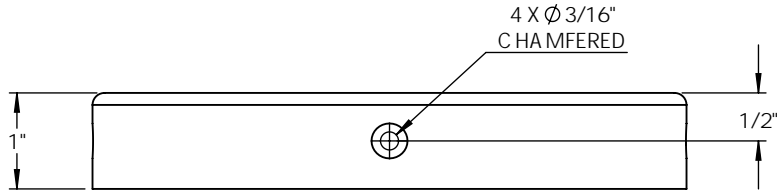
TITLE:

A C P-LA -T-SR-6-26-120W-MN-WF-DIM-27K

SIZE	DWG. NO.	REV
<b>A</b>		

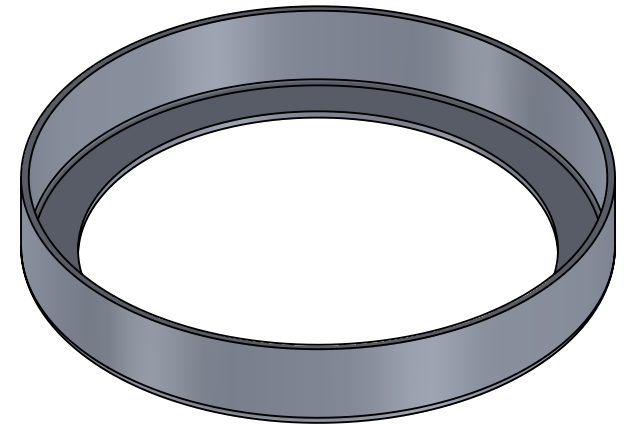
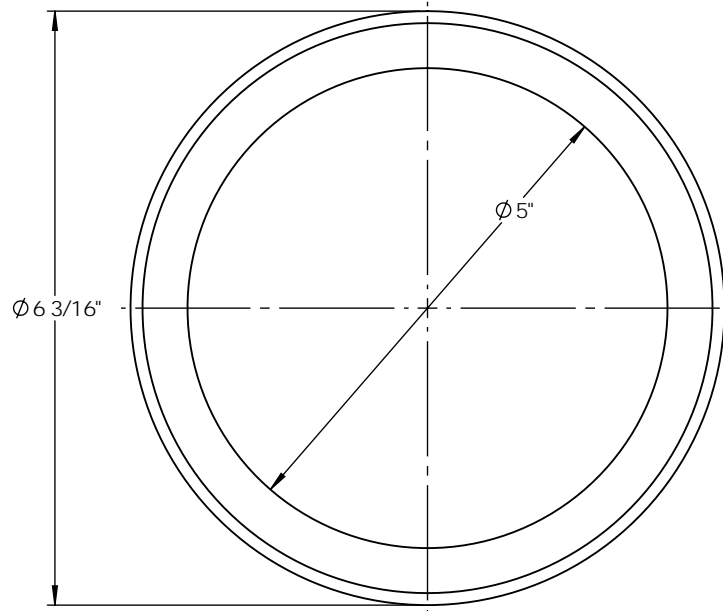
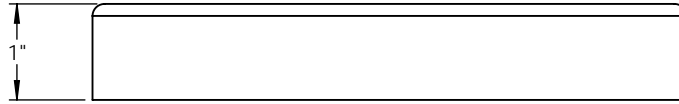
SCALE: 1:3 WEIGHT: SHEET 10 OF 15

ITEM NO.	PART NUMBER	DESCRIPTION	QTY.
1	ACP-LA-T-SR-6-26-120W-MN-WF-DIM-27K-SPUN TOP CAP	SPUN ALUMINUM 0.080"	1



<p><b>PROPRIETARY AND CONFIDENTIAL</b></p> <p>THE INFORMATION CONTAINED IN THIS DRAWING IS THE SOLE PROPERTY OF &lt;INSERT COMPANY NAME HERE&gt;. ANY REPRODUCTION IN PART OR AS A WHOLE WITHOUT THE WRITTEN PERMISSION OF &lt;INSERT COMPANY NAME HERE&gt; IS PROHIBITED.</p>			UNLESS OTHERWISE SPECIFIED:		NAME	DATE	SPUN ALUMINUM 0.080"		
			DIMENSIONS ARE IN INCHES TOLERANCES: FRACTIONAL ± ANGULAR: MACH ± BEND ± TWO PLACE DECIMAL ± THREE PLACE DECIMAL ±		DRAWN		TITLE:		
			INTERPRET GEOMETRIC TOLERANCING PER:		CHECKED		ACP-LA-T-SR-6-26-120W-MN-WF-DIM-27K		
			MATERIAL		ENG APPR.		SIZE DWG. NO. REV		
			FINISH		MFG APPR.		SCALE: 1:2 WEIGHT: SHEET 11 OF 15		
	NEXT ASSY	USED ON		Q.A.					
	APPLICATION		DO NOT SCALE DRAWING	COMMENTS:					

ITEM NO.	PART NUMBER	DESCRIPTION	QTY.
1	ACP-LA-T-SR-6-26-120W-MN-WF-DIM-27K-SPUN BOTTOM CAP	SPUN ALUMINUM 0.080"	1



<p><b>PROPRIETARY AND CONFIDENTIAL</b> THE INFORMATION CONTAINED IN THIS DRAWING IS THE SOLE PROPERTY OF &lt;INSERT COMPANY NAME HERE&gt;. ANY REPRODUCTION IN PART OR AS A WHOLE WITHOUT THE WRITTEN PERMISSION OF &lt;INSERT COMPANY NAME HERE&gt; IS PROHIBITED.</p>			UNLESS OTHERWISE SPECIFIED:		NAME	DATE	SPUN ALUMINUM 0.080"		
			DIMENSIONS ARE IN INCHES TOLERANCES: FRACTIONAL ± ANGULAR: MACH ± BEND ± TWO PLACE DECIMAL ± THREE PLACE DECIMAL ±	DRAWN			TITLE:		
			INTERPRET GEOMETRIC TOLERANCING PER:	CHECKED			ACP-LA-T-SR-6-26-120W-MN-WF-DIM-27K		
			MATERIAL	ENG APPR.			SIZE	DWG. NO.	REV
			FINISH	MFG APPR.			<b>A</b>		
	NEXT ASSY	USED ON	Q.A.	COMMENTS:			SCALE: 1:2	WEIGHT:	SHEET 12 OF 15
	APPLICATION		DO NOT SCALE DRAWING						

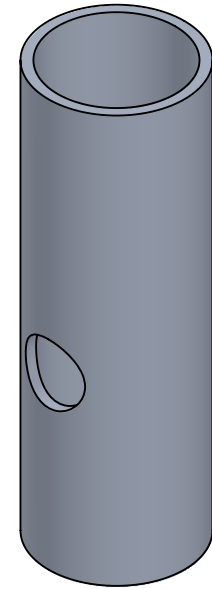
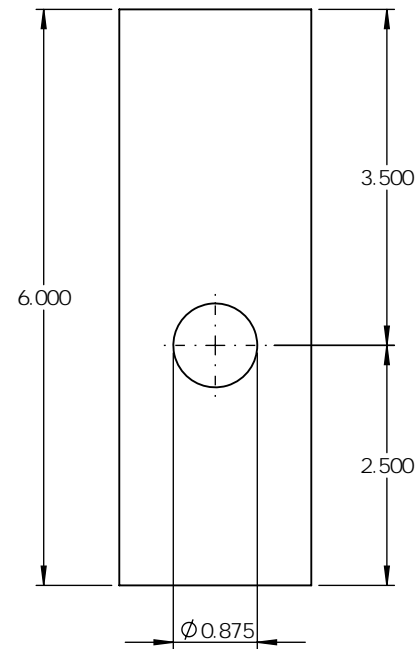
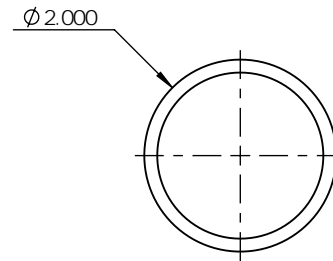
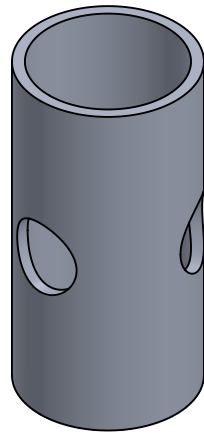
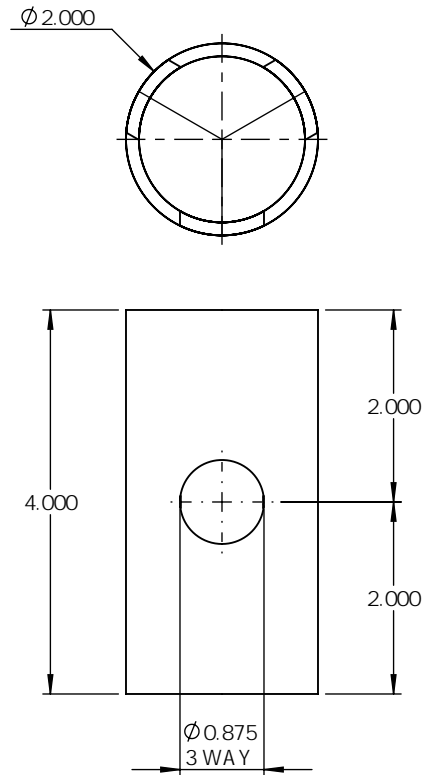
5

4

3

2

1



**PROPRIETARY AND CONFIDENTIAL**  
 THE INFORMATION CONTAINED IN THIS DRAWING IS THE SOLE PROPERTY OF <INSERT COMPANY NAME HERE>. ANY REPRODUCTION IN PART OR AS A WHOLE WITHOUT THE WRITTEN PERMISSION OF <INSERT COMPANY NAME HERE> IS PROHIBITED.

		UNLESS OTHERWISE SPECIFIED:	NAME	DATE	2" ALUMINUM TUBE POST		
		DIMENSIONS ARE IN INCHES TOLERANCES: FRACTIONAL ± ANGULAR: MACH ± BEND ± TWO PLACE DECIMAL ± THREE PLACE DECIMAL ±	DRAWN				TITLE:
		INTERPRET GEOMETRIC TOLERANCING PER:	CHECKED		ACP-LA-T-SR-6-26-120W-MN-WF-DIM-27K		
		MATERIAL	ENG APPR.				
		FINISH	MFG APPR.		SIZE	DWG. NO.	REV
NEXT ASSY	USED ON		Q.A.		<b>A</b>		
APPLICATION	DO NOT SCALE DRAWING		COMMENTS:			SCALE: 1:2	WEIGHT:

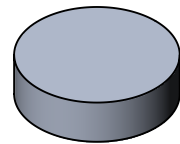
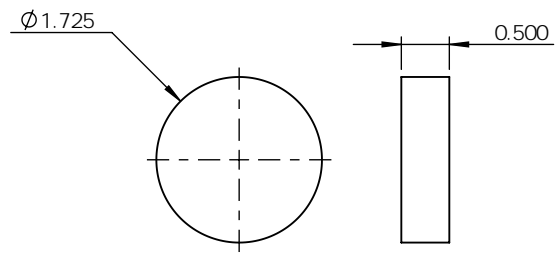
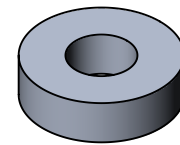
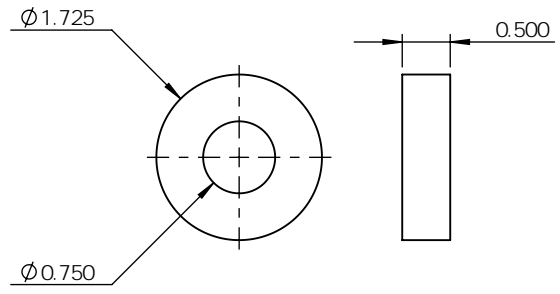
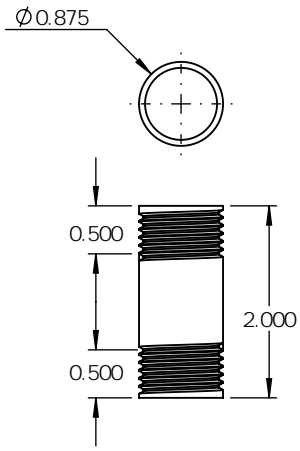
5

4

3

2

1



**PROPRIETARY AND CONFIDENTIAL**  
 THE INFORMATION CONTAINED IN THIS DRAWING IS THE SOLE PROPERTY OF <INSERT COMPANY NAME HERE>. ANY REPRODUCTION IN PART OR AS A WHOLE WITHOUT THE WRITTEN PERMISSION OF <INSERT COMPANY NAME HERE> IS PROHIBITED.

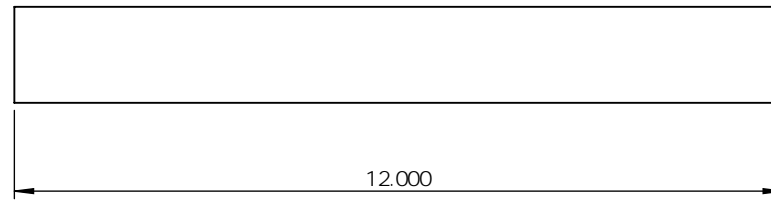
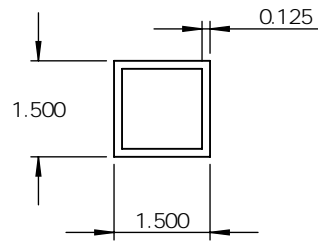
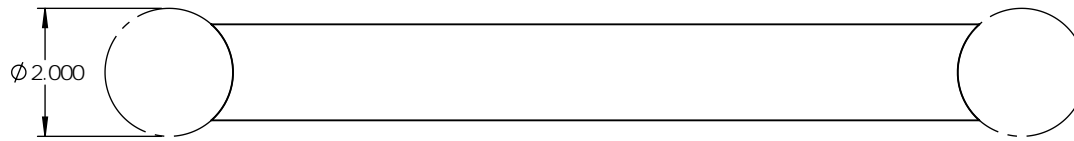
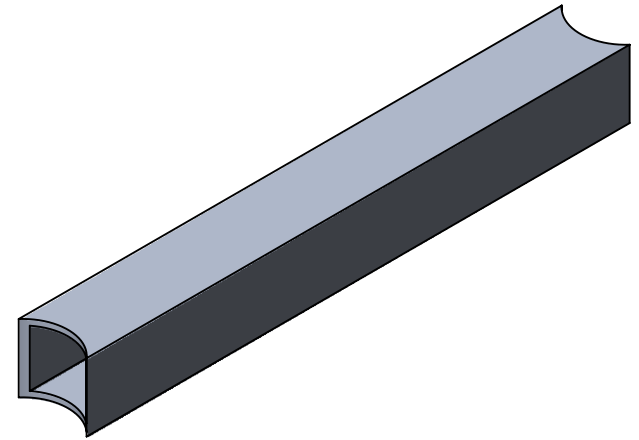
		UNLESS OTHERWISE SPECIFIED:		NAME	DATE
		DIMENSIONS ARE IN INCHES TOLERANCES: FRACTIONAL ± ANGULAR: MACH ± BEND ± TWO PLACE DECIMAL ± THREE PLACE DECIMAL ±	DRAWN		
		INTERPRET GEOMETRIC TOLERANCING PER:	CHECKED		
		MATERIAL	ENG APPR.		
		FINISH	MFG APPR.		
			Q.A.		
			COMMENTS:		
NEXT ASSY	USED ON				
APPLICATION	DO NOT SCALE DRAWING				

7/8" ROUND ALUMINUM TUBE

TITLE:

ACP-LA-T-SR-6-26-120W-MN-WF-DIM-27K

SIZE	DWG. NO.	REV
<b>A</b>		
SCALE: 1:2	WEIGHT:	SHEET 14 OF 15



**PROPRIETARY AND CONFIDENTIAL**  
 THE INFORMATION CONTAINED IN THIS DRAWING IS THE SOLE PROPERTY OF <INSERT COMPANY NAME HERE>. ANY REPRODUCTION IN PART OR AS A WHOLE WITHOUT THE WRITTEN PERMISSION OF <INSERT COMPANY NAME HERE> IS PROHIBITED.

		UNLESS OTHERWISE SPECIFIED:		NAME	DATE
		DIMENSIONS ARE IN INCHES	DRAWN		
		TOLERANCES:	CHECKED		
		FRACTIONAL ±	ENG APPR.		
		ANGULAR: MACH ± BEND ±	MFG APPR.		
		TWO PLACE DECIMAL ±	Q.A.		
		THREE PLACE DECIMAL ±	COMMENTS:		
		INTERPRET GEOMETRIC TOLERANCING PER:			
		MATERIAL			
		FINISH			
NEXT ASSY	USED ON				
APPLICATION	DO NOT SCALE DRAWING				

1-1/2" SQUARE ALUMINUM TUBE

TITLE:  
 ACP-LA-T-SR-6-26-120W-MN-WF-DIM-27K

SIZE	DWG. NO.	REV
<b>A</b>		
SCALE: 1:3	WEIGHT:	SHEET 15 OF 15