

EVERGREEN LIGHTING



ALL BEND RADIUS .030"

APPLICATION

DO NOT SCALE DRAWING

UNLESS OTHERWISE SPECIFIED:
 DIMENSIONS ARE IN INCHES
 TOLERANCES:
 FRACTIONAL ± .003
 ANGULAR: MACH ± .01 BEND ±
 TWO PLACE DECIMAL ±
 THREE PLACE DECIMAL ± .001
 INTERPRET GEOMETRIC
 TOLERANCING PER:
 MATERIAL
 FINISH

NAME	DATE
DRAWN	
CHECKED	
ENG APPR.	
MFG APPR.	
Q.A.	
COMMENTS:	

TITLE:

AC P-LA -D -SR-6-26-80W -MN -WF-DIM-27K

SIZE	DWG. NO.	REV
A		

SCALE: 1:16 WEIGHT: SHEET 1 OF 15

5

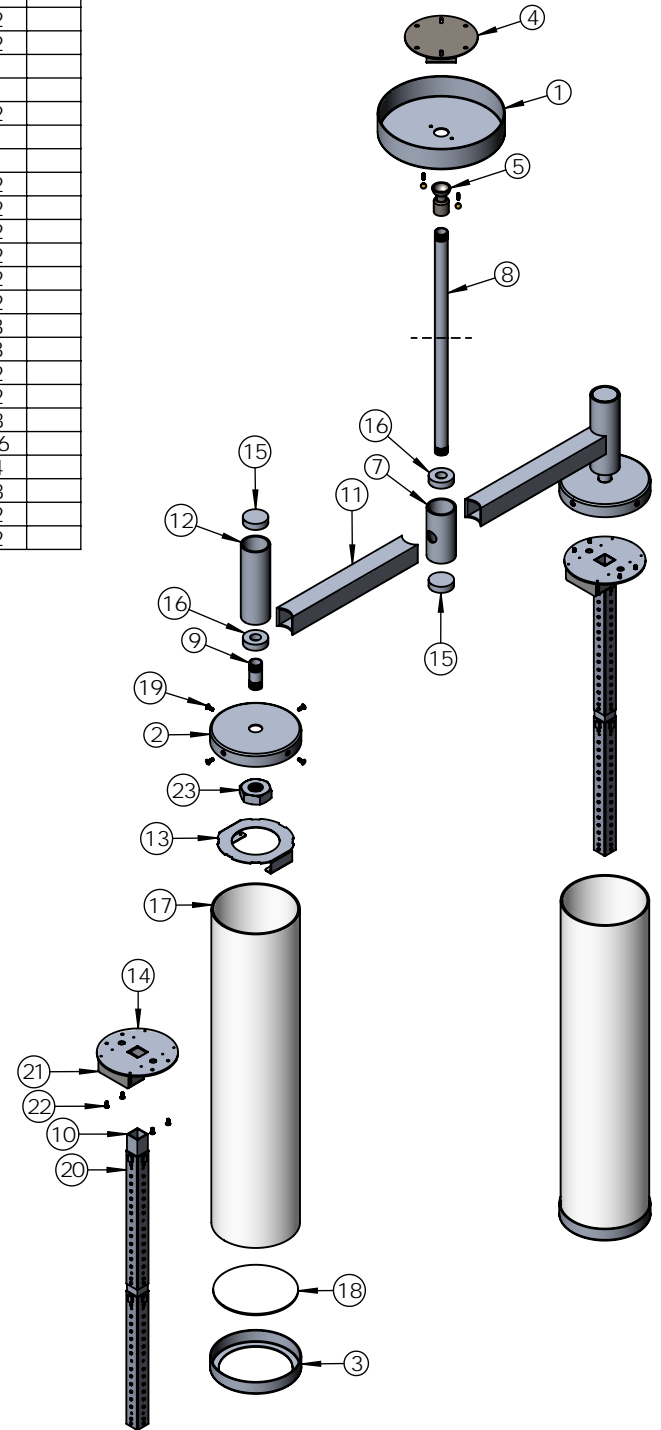
4

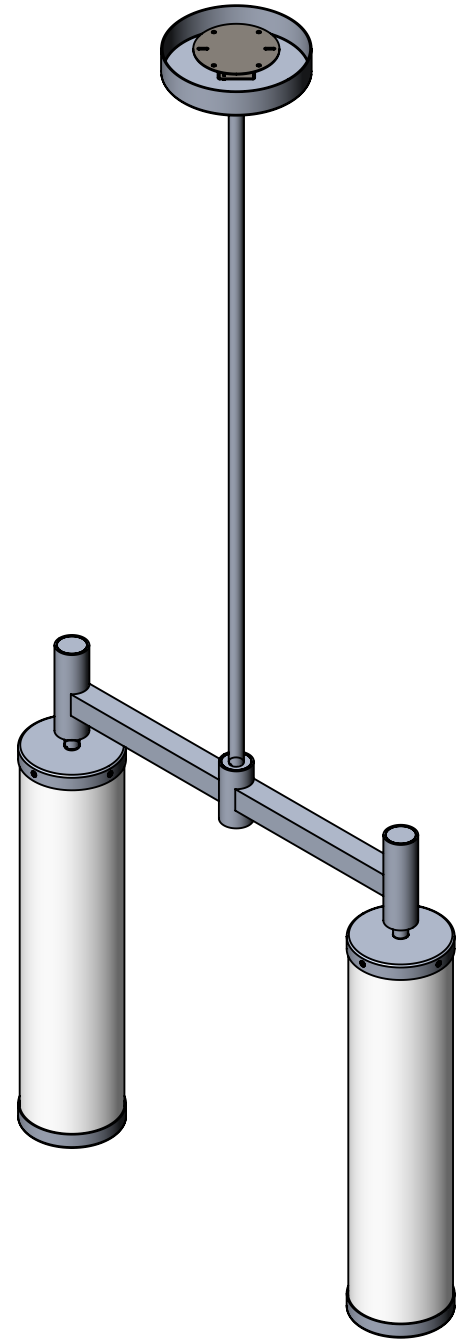
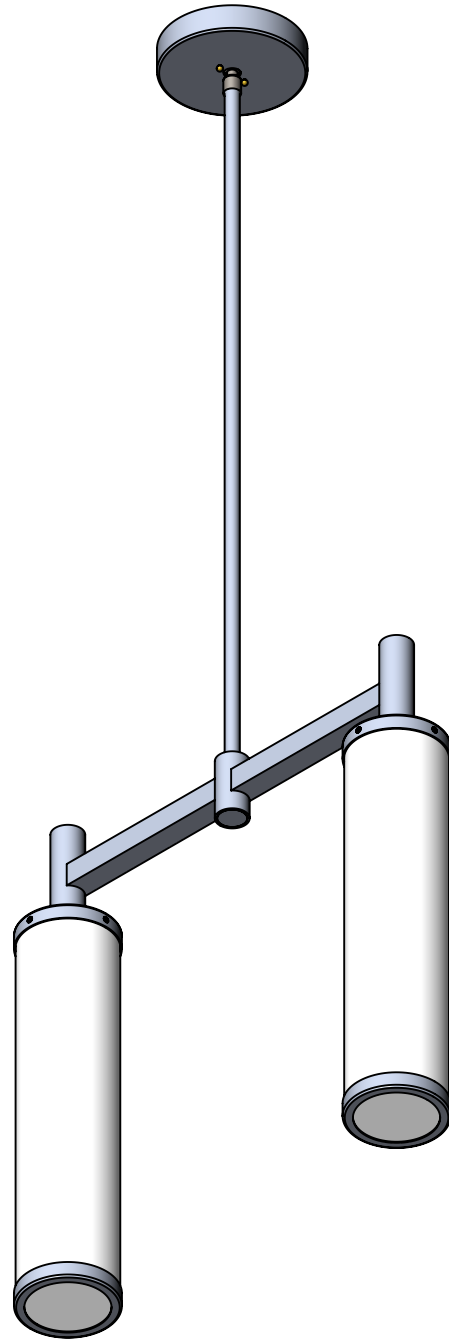
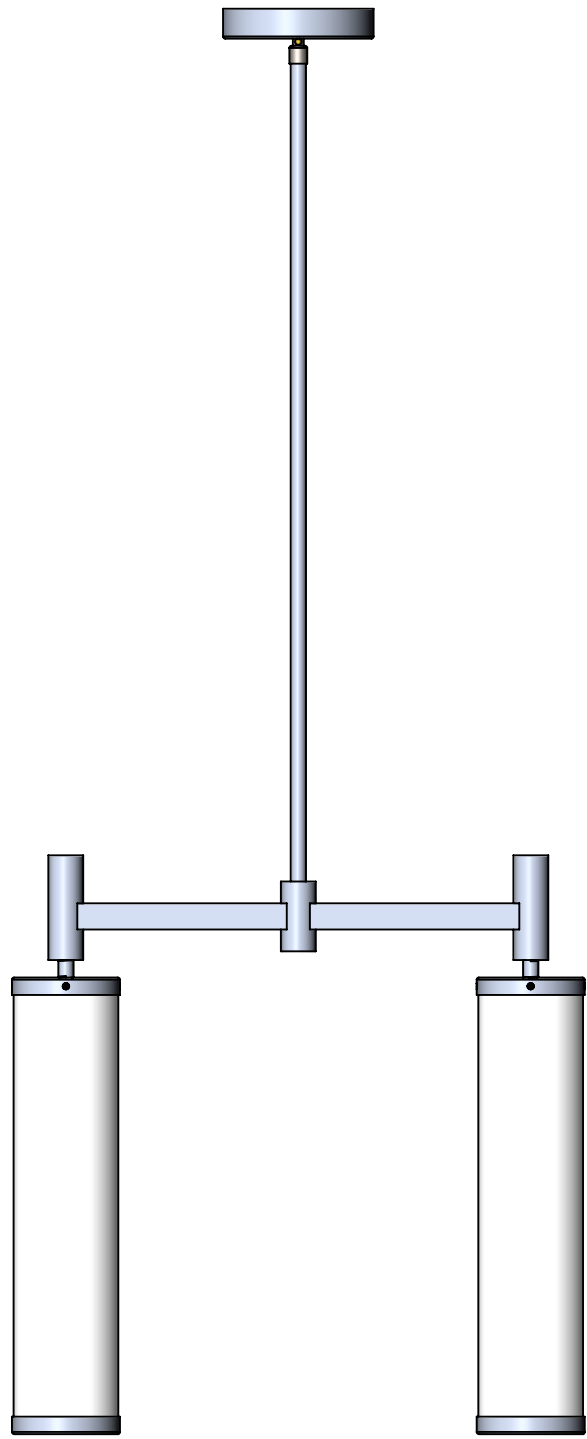
3

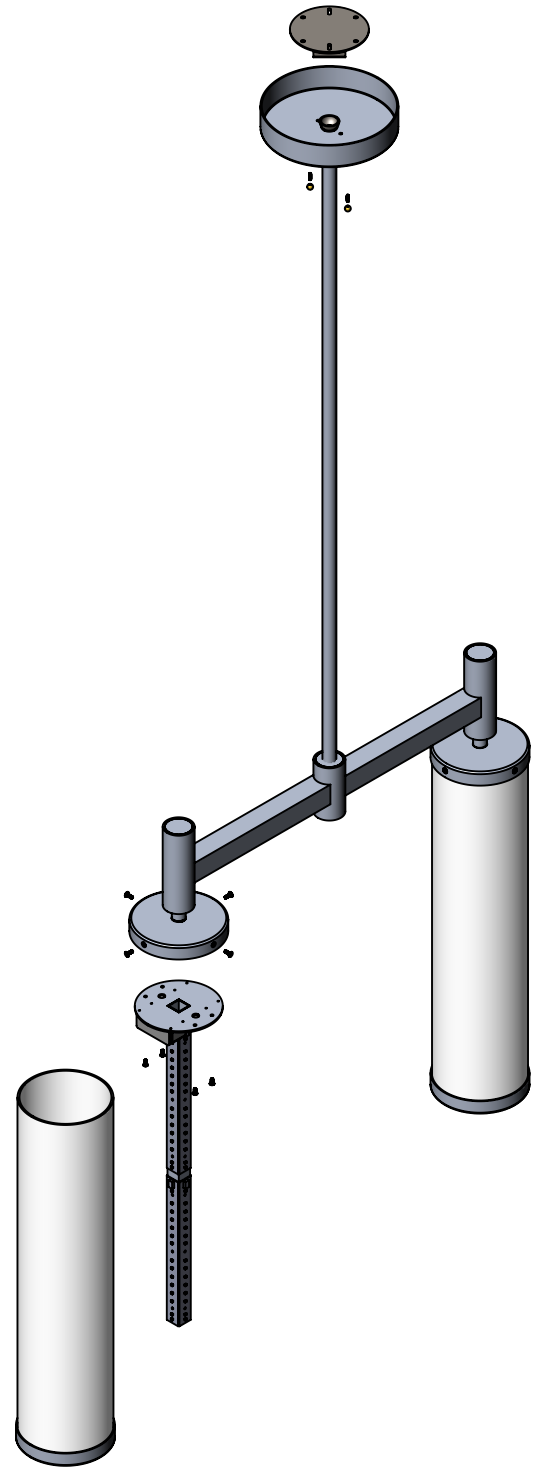
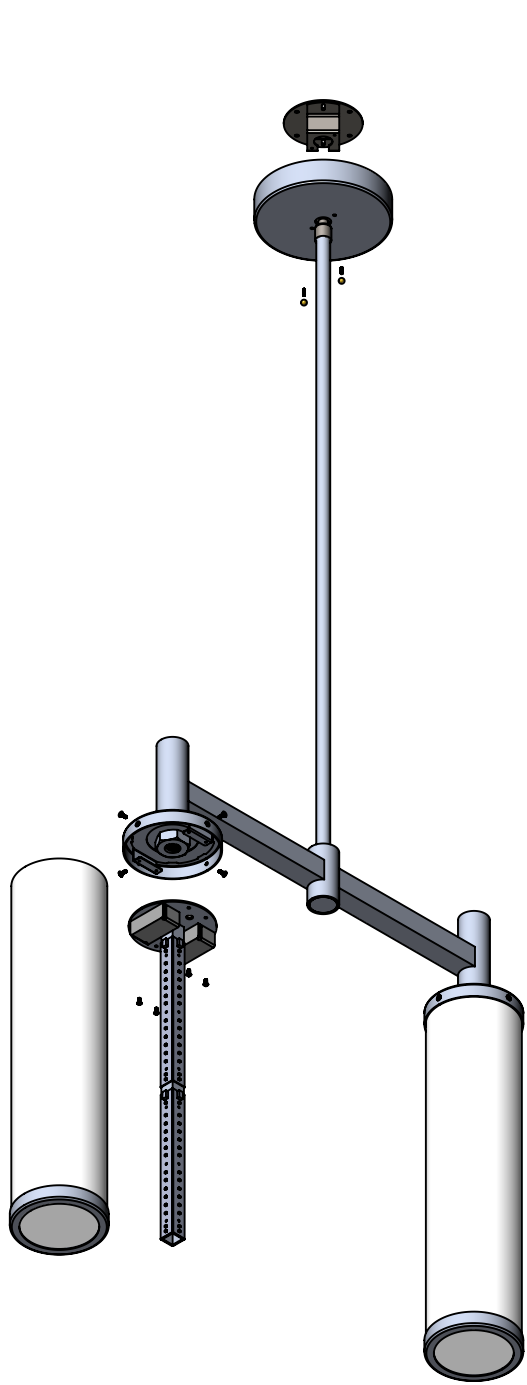
2

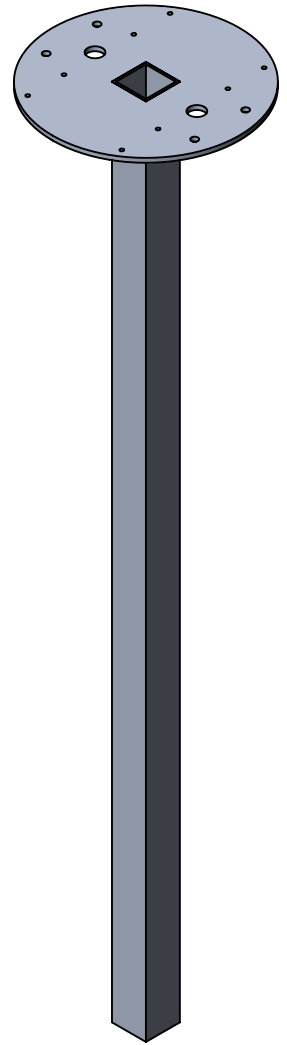
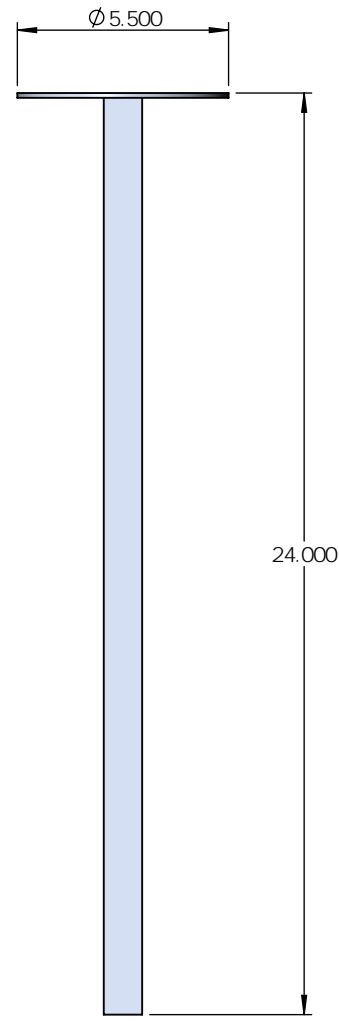
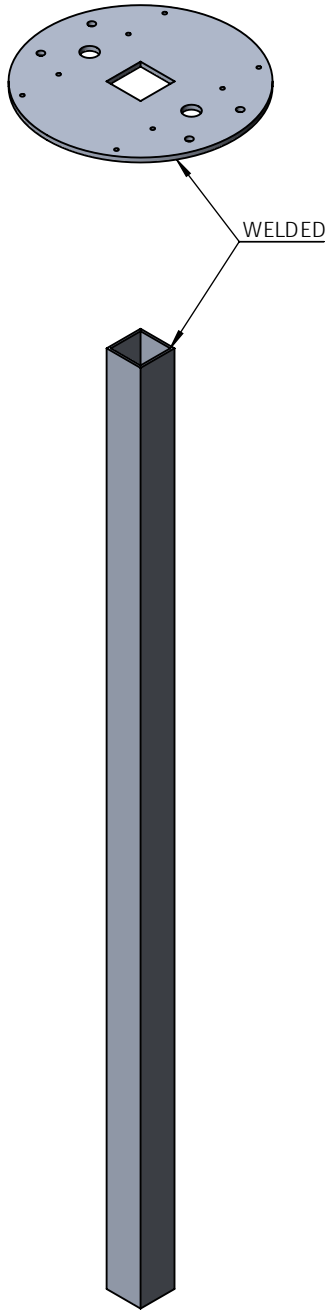
1

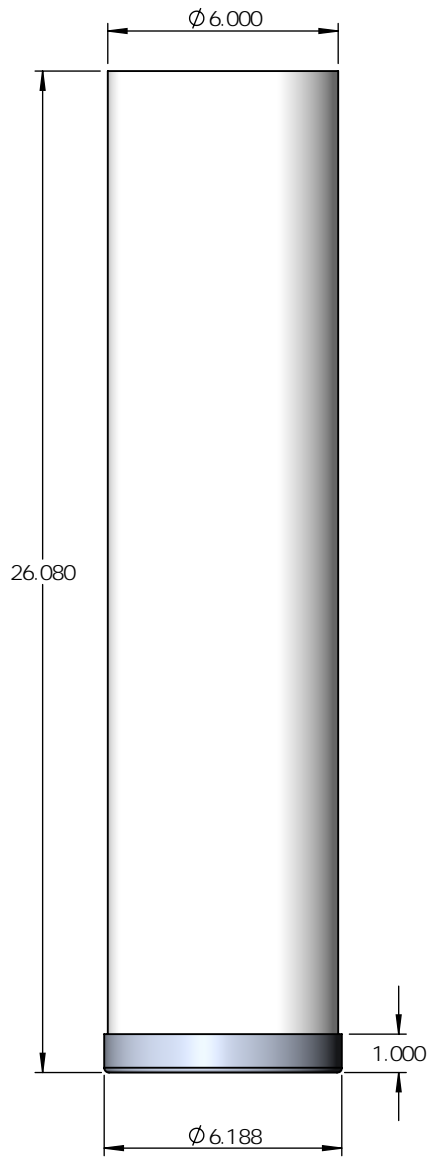
ITEM NO.	PART NUMBER	DESCRIPTION	QTY.	CUT
1	8" SWIVEL CANOPY	SPUN ALUMINUM 0.080"	1	
2	ACP-LA-D-SR-6-26-80W-MN-WF-DIM-27K-SPUN TOP CAP	SPUN ALUMINUM 0.080"	2	
3	ACP-LA-D-SR-6-26-80W-MN-WF-DIM-27K-SPUN BOTTOM CAP	SPUN ALUMINUM 0.080"	2	
4	SWIVEL BRACKET	SWIVEL BRACKET	1	
5	SWIVEL	SWIVEL	1	
6	.375 BRASS BALL	3/8" BRASS BALL	2	
7	ACP-LA-D-SR-6-26-80W-MN-WF-DIM-27K-2" CYLINDER POST	2" ALUMINUM TUBE POST	1	
8	ACP-LA-D-SR-6-26-80W-MN-WF-DIM-27K-0.875" STEM TUBE	7/8" ROUND ALUMINUM TUBE	1	
9	ACP-LA-D-SR-6-26-80W-MN-WF-DIM-27K-0.875" STEM TUBE	7/8" ROUND ALUMINUM TUBE	2	
10	ACP-LA-D-SR-6-26-80W-MN-WF-DIM-27K-SQUARE LED TUBE	1" SQUARE ALUMINUM TUBE	2	
11	ACP-LA-D-SR-6-26-80W-MN-WF-DIM-27K-SQUARE ARM TUBE	1-1/2" SQUARE ALUMINUM TUBE	2	
12	ACP-LA-D-SR-6-26-80W-MN-WF-DIM-27K-2" CYLINDER POST	2" ALUMINUM TUBE POST	2	
13	ACP-LA-D-SR-6-26-80W-MN-WF-DIM-27K-REFLECTOR BRACKET	ALUMINUM 0.0635"	2	
14	ACP-LA-D-SR-6-26-80W-MN-WF-DIM-27K-REFLECTOR PLATE	ALUMINUM 0.125" PLATE	2	
15	ACP-LA-D-SR-6-26-80W-MN-WF-DIM-27K-2" CYLINDER PLATE SOLID	ALUMINUM 0.250" PLATE	3	
16	ACP-LA-D-SR-6-26-40W-MN-WF-DIM-27K-2" CYLINDER PLATE THREADED	ALUMINUM 0.500" PLATE	3	
17	ACP-LA-D-SR-6-26-80W-MN-WF-DIM-27K-ACRYLIC TUBE	ACRYLIC	2	
18	ACP-LA-D-SR-6-26-80W-MN-WF-DIM-27K-ACRYLIC PLATE	ACRYLIC	2	
19	8-32-0.5 SS Hex Drive Flat Head	8-32 FLAT HEAD SCREW	8	
20	AltaILED PN105B-11-2.5-SS	LED	16	
21	AC 25CD700A T2Q LED DRIVER	DRIVER	4	
22	92949A 194	8-32 HEAD SCREW	8	
23	90670A 270	ALUMINUM HEX NUT	2	
24	93225A 571	THREADED STUD	2	



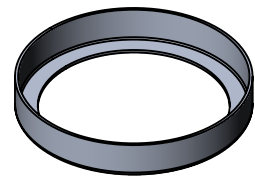
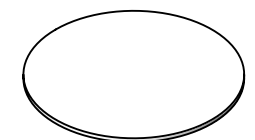
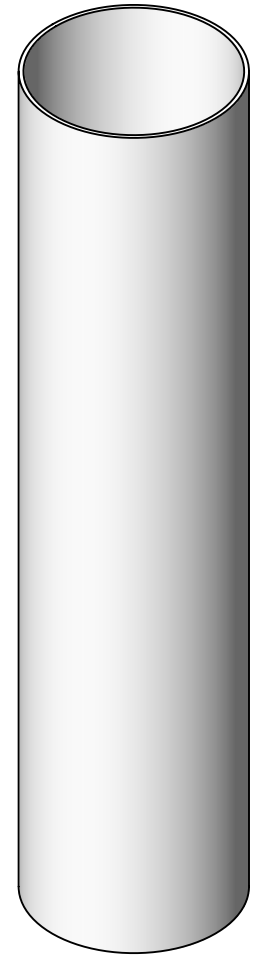
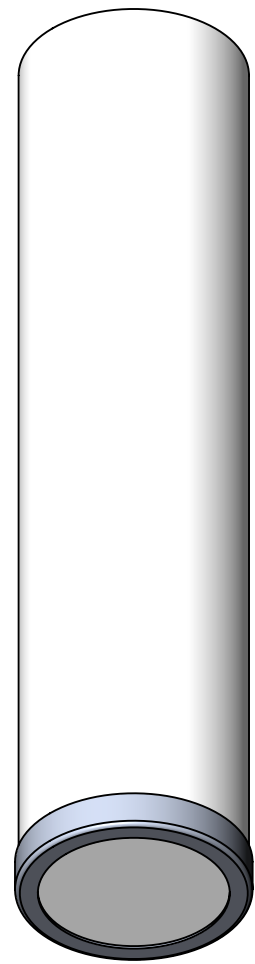
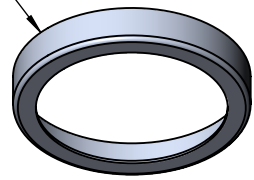
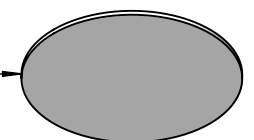
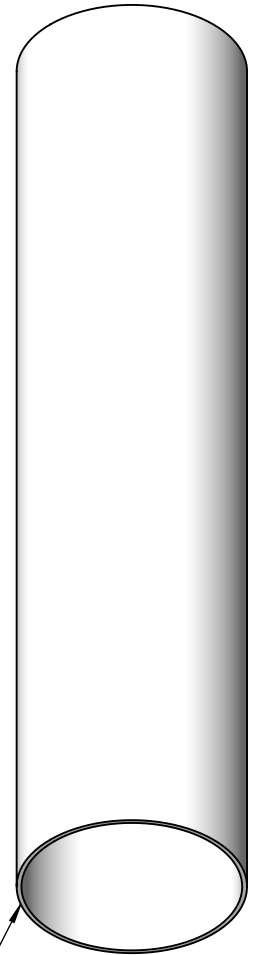


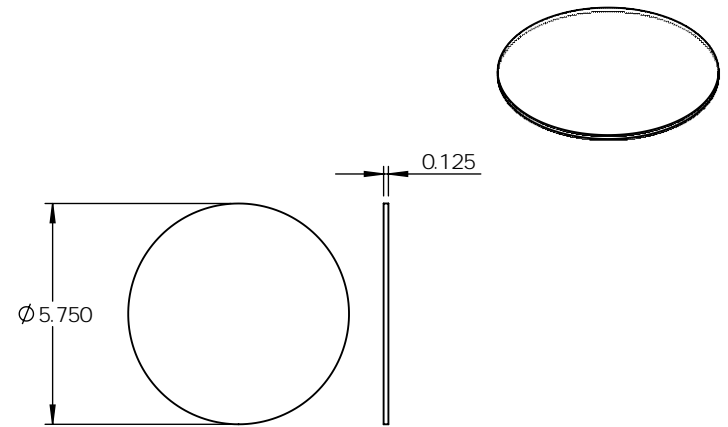
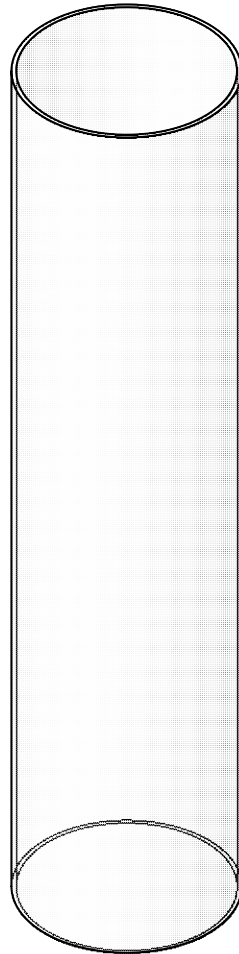
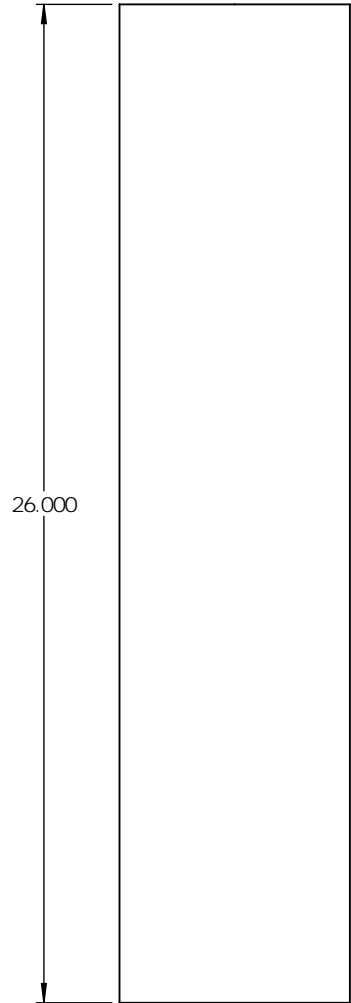
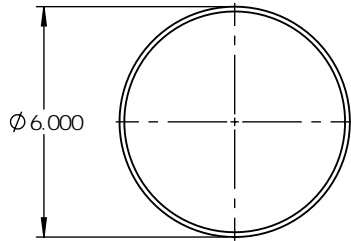






G LUED





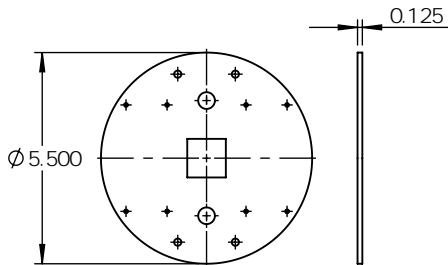
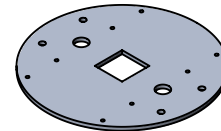
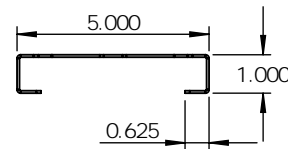
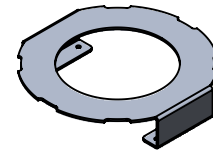
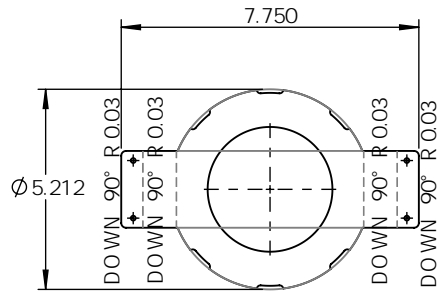
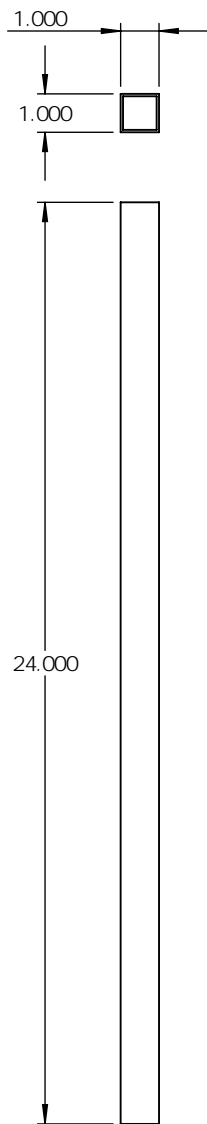
PROPRIETARY AND CONFIDENTIAL
 THE INFORMATION CONTAINED IN THIS DRAWING IS THE SOLE PROPERTY OF <INSERT COMPANY NAME HERE>. ANY REPRODUCTION IN PART OR AS A WHOLE WITHOUT THE WRITTEN PERMISSION OF <INSERT COMPANY NAME HERE> IS PROHIBITED.

NEXT ASSY	USED ON
APPLICATION	

UNLESS OTHERWISE SPECIFIED:
DIMENSIONS ARE IN INCHES TOLERANCES: FRACTIONAL ± ANGULAR: MACH ± BEND ± TWO PLACE DECIMAL ± THREE PLACE DECIMAL ±
INTERPRET GEOMETRIC TOLERANCING PER:
MATERIAL
FINISH
DO NOT SCALE DRAWING

	NAME	DATE
DRAWN		
CHECKED		
ENG APPR.		
MFG APPR.		
Q.A.		
COMMENTS:		

ACRYLIC		
TITLE:		
ACP-LA-D-SR-6-26-80W-MN-WF-DIM-27K		
SIZE	DWG. NO.	REV
A		
SCALE: 1:5	WEIGHT:	SHEET 8 OF 15

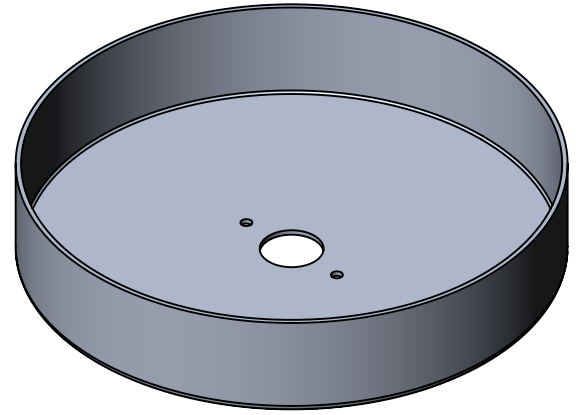
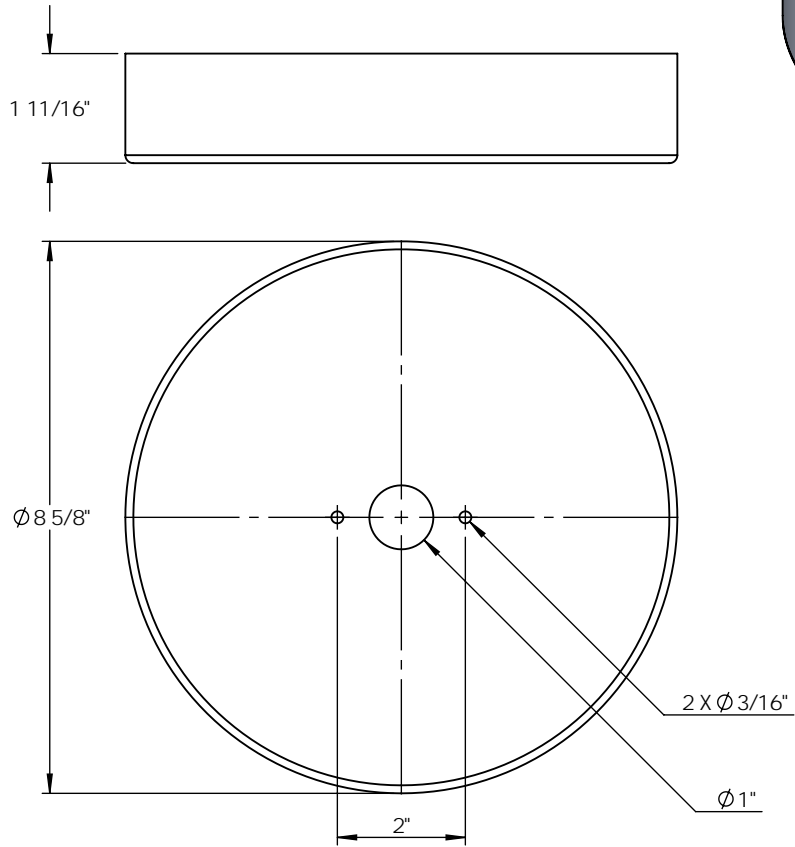
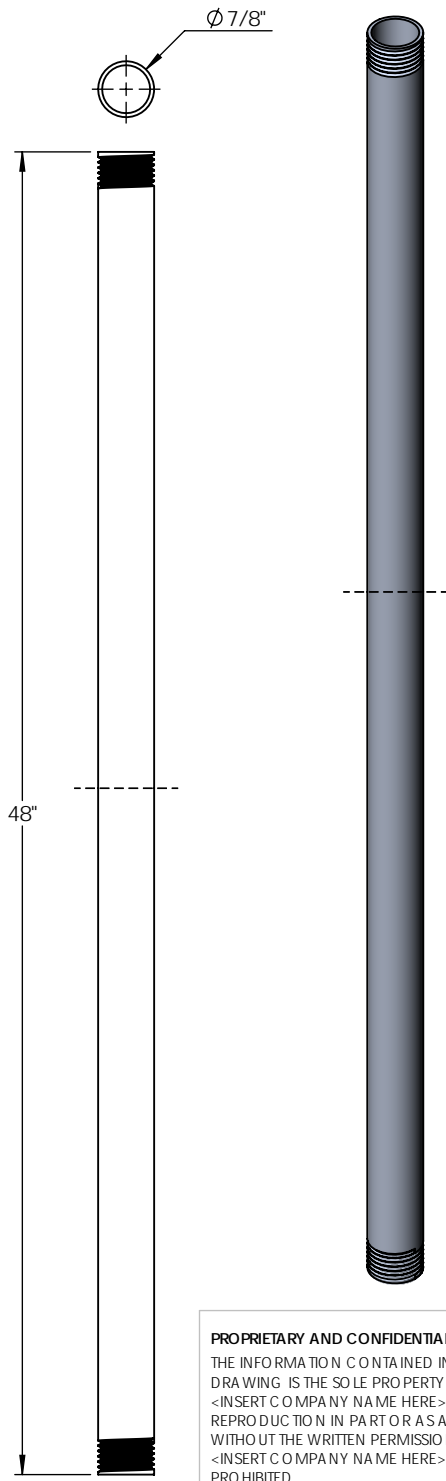


PROPRIETARY AND CONFIDENTIAL
 THE INFORMATION CONTAINED IN THIS DRAWING IS THE SOLE PROPERTY OF <INSERT COMPANY NAME HERE>. ANY REPRODUCTION IN PART OR AS A WHOLE WITHOUT THE WRITTEN PERMISSION OF <INSERT COMPANY NAME HERE> IS PROHIBITED.

		UNLESS OTHERWISE SPECIFIED:	NAME	DATE
		DIMENSIONS ARE IN INCHES TOLERANCES: FRACTIONAL ± ANGULAR: MACH ± BEND ± TWO PLACE DECIMAL ± THREE PLACE DECIMAL ±	DRAWN	
		INTERPRET GEOMETRIC TOLERANCING PER:	CHECKED	
		MATERIAL	ENG APPR.	
		FINISH	MFG APPR.	
NEXT ASSY	USED ON		Q.A.	
APPLICATION	DO NOT SCALE DRAWING		COMMENTS:	

A LUMINUM 0.0635"		
TITLE:		
A C P-LA -D-SR-6-26-80W-MN-WF-DIM-27K		
SIZE	DWG. NO.	REV
A		
SCALE: 1:5	WEIGHT:	SHEET 9 OF 15

ITEM NO.	PART NUMBER	DESCRIPTION	QTY.
1	8" SWIVEL CANOPY	SPUN ALUMINUM 0.080"	1



PROPRIETARY AND CONFIDENTIAL
 THE INFORMATION CONTAINED IN THIS DRAWING IS THE SOLE PROPERTY OF <INSERT COMPANY NAME HERE>. ANY REPRODUCTION IN PART OR AS A WHOLE WITHOUT THE WRITTEN PERMISSION OF <INSERT COMPANY NAME HERE> IS PROHIBITED.

		UNLESS OTHERWISE SPECIFIED:	NAME	DATE
		DIMENSIONS ARE IN INCHES	DRAWN	
		TOLERANCES:	CHECKED	
		FRACTIONAL ±	ENG APPR.	
		ANGULAR: MACH ± BEND ±	MFG APPR.	
		TWO PLACE DECIMAL ±	Q.A.	
		THREE PLACE DECIMAL ±	COMMENTS:	
		INTERPRET GEOMETRIC TOLERANCING PER:		
		MATERIAL		
NEXT ASSY	USED ON	FINISH		
APPLICATION		DO NOT SCALE DRAWING		

7/8" ROUND ALUMINUM TUBE		
TITLE:		
ACP-LA-D-SR-6-26-80W-MN-WF-DIM-27K		
SIZE	DWG. NO.	REV
A		
SCALE: 1:3	WEIGHT:	SHEET 10 OF 15

5

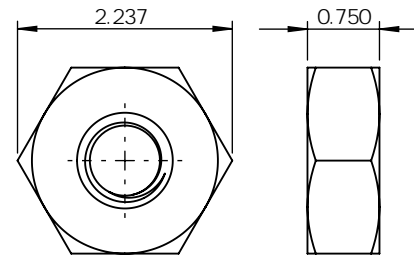
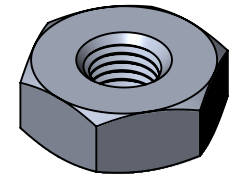
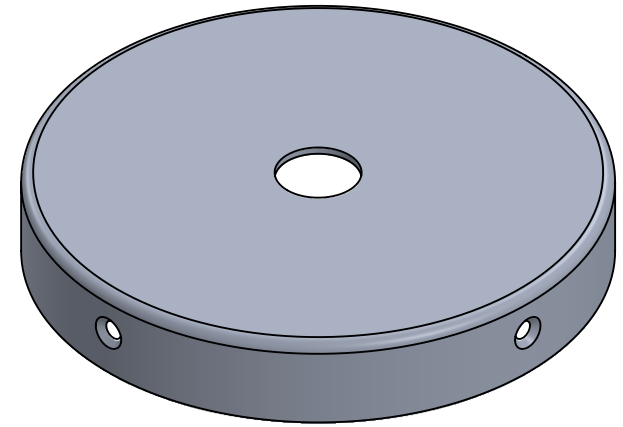
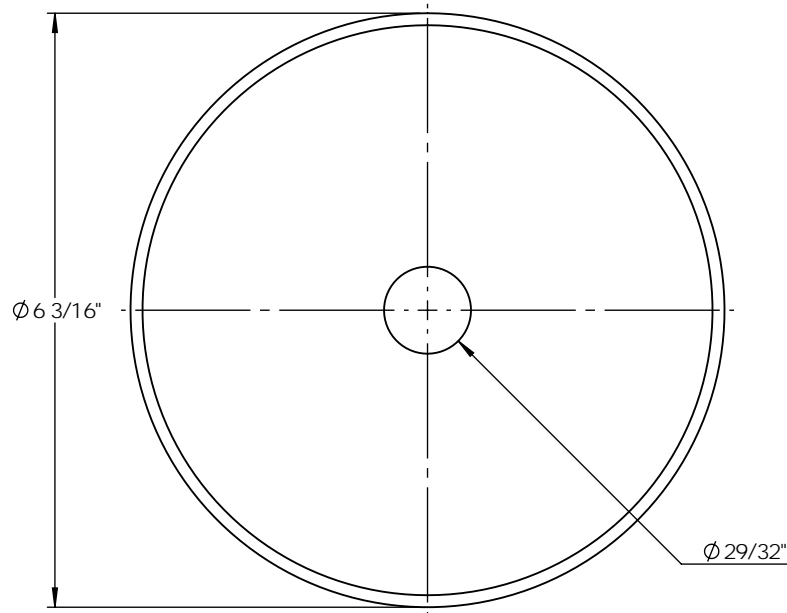
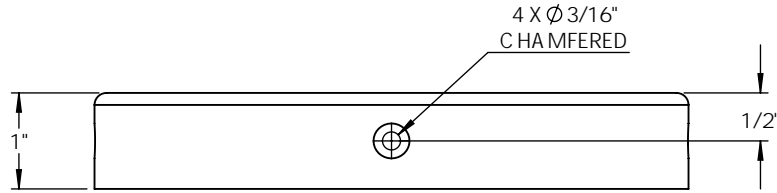
4

3

2

1

ITEM NO.	PART NUMBER	DESCRIPTION	QTY.
1	ACP-LA-D-SR-6-26-80W-MN-WF-DIM-27K-SPUN TOP CAP	SPUN ALUMINUM 0.080"	1



PROPRIETARY AND CONFIDENTIAL
 THE INFORMATION CONTAINED IN THIS DRAWING IS THE SOLE PROPERTY OF <INSERT COMPANY NAME HERE>. ANY REPRODUCTION IN PART OR AS A WHOLE WITHOUT THE WRITTEN PERMISSION OF <INSERT COMPANY NAME HERE> IS PROHIBITED.

		UNLESS OTHERWISE SPECIFIED:	NAME	DATE
		DIMENSIONS ARE IN INCHES TOLERANCES: FRACTIONAL \pm ANGULAR: MACH \pm BEND \pm TWO PLACE DECIMAL \pm THREE PLACE DECIMAL \pm	DRAWN	
		INTERPRET GEOMETRIC TOLERANCING PER:	CHECKED	
		MATERIAL	ENG APPR.	
		FINISH	MFG APPR.	
NEXT ASSY	USED ON		Q.A.	
APPLICATION	DO NOT SCALE DRAWING		COMMENTS:	

SPUN ALUMINUM 0.080"

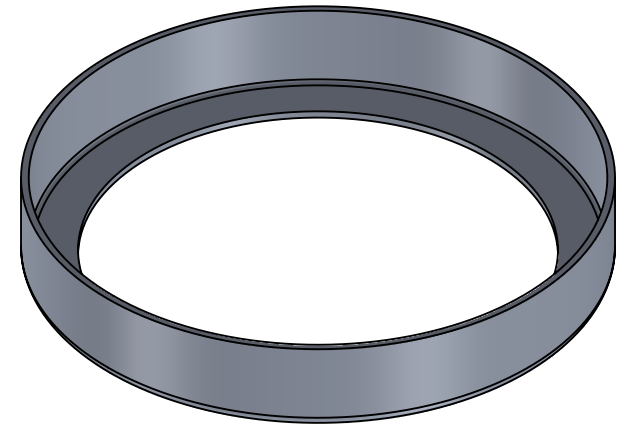
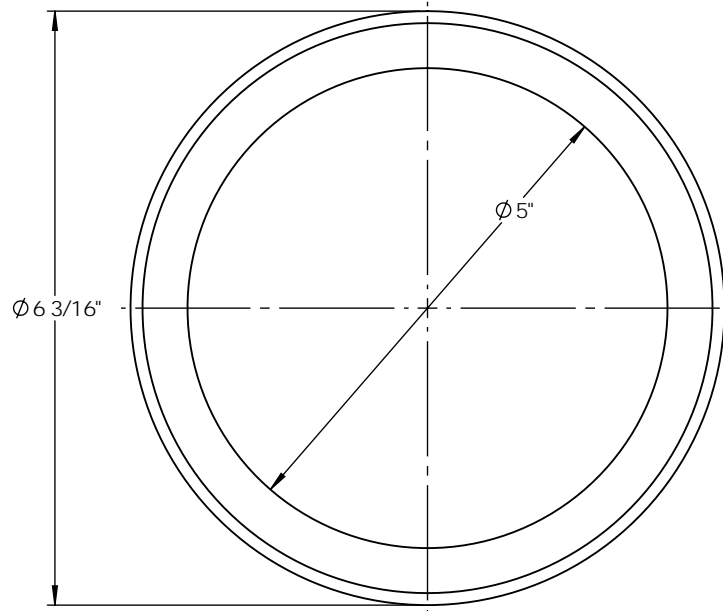
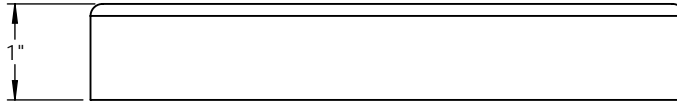
TITLE:

ACP-LA-D-SR-6-26-80W-MN-WF-DIM-27K

SIZE	DWG. NO.	REV
A		

SCALE: 1:2 WEIGHT: SHEET 11 OF 15

ITEM NO.	PART NUMBER	DESCRIPTION	QTY.
1	ACP-LA-D-SR-6-26-80W-MN-WF-DIM-27K-SPUN BOTTOM CAP	SPUN ALUMINUM 0.080"	1



<p>PROPRIETARY AND CONFIDENTIAL THE INFORMATION CONTAINED IN THIS DRAWING IS THE SOLE PROPERTY OF <INSERT COMPANY NAME HERE>. ANY REPRODUCTION IN PART OR AS A WHOLE WITHOUT THE WRITTEN PERMISSION OF <INSERT COMPANY NAME HERE> IS PROHIBITED.</p>			UNLESS OTHERWISE SPECIFIED:		NAME	DATE	SPUN ALUMINUM 0.080"		
			DIMENSIONS ARE IN INCHES TOLERANCES: FRACTIONAL ± ANGULAR: MACH ± BEND ± TWO PLACE DECIMAL ± THREE PLACE DECIMAL ±	DRAWN			TITLE:		
			INTERPRET GEOMETRIC TOLERANCING PER:	CHECKED			ACP-LA-D-SR-6-26-80W-MN-WF-DIM-27K		
			MATERIAL	ENG APPR.			SIZE	DWG. NO.	REV
			FINISH	MFG APPR.			A		
	NEXT ASSY	USED ON	COMMENTS:	Q.A.		SCALE: 1:2	WEIGHT:	SHEET 12 OF 15	
	APPLICATION		DO NOT SCALE DRAWING						

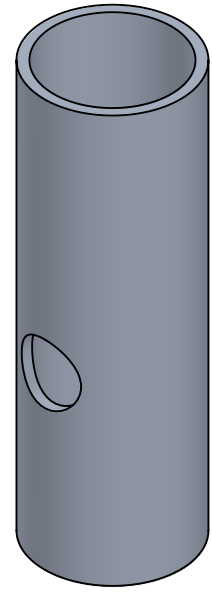
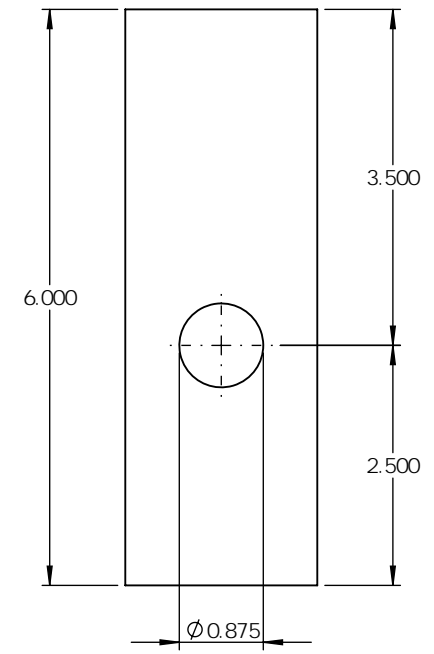
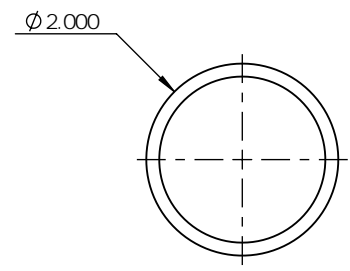
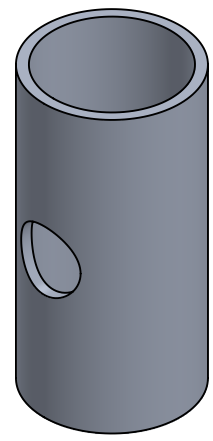
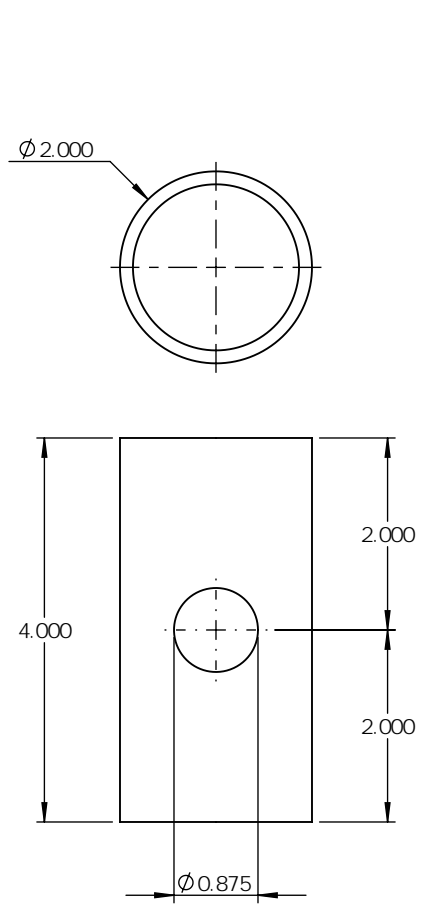
5

4

3

2

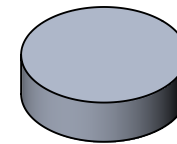
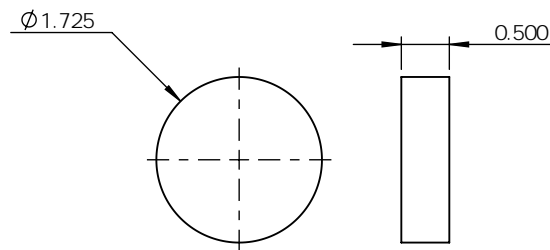
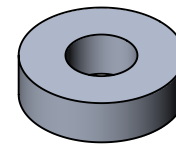
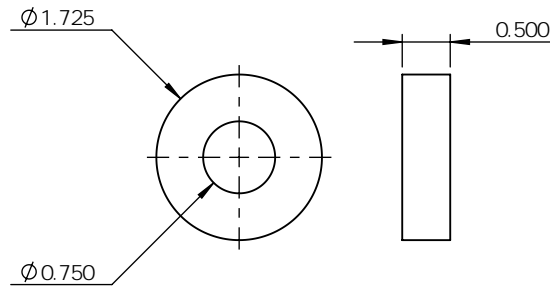
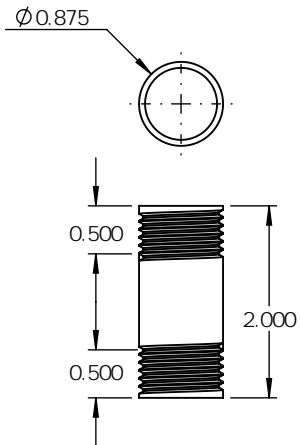
1



PROPRIETARY AND CONFIDENTIAL
 THE INFORMATION CONTAINED IN THIS DRAWING IS THE SOLE PROPERTY OF <INSERT COMPANY NAME HERE>. ANY REPRODUCTION IN PART OR AS A WHOLE WITHOUT THE WRITTEN PERMISSION OF <INSERT COMPANY NAME HERE> IS PROHIBITED.

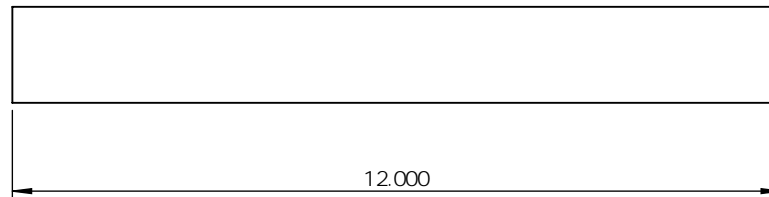
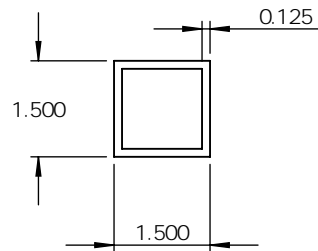
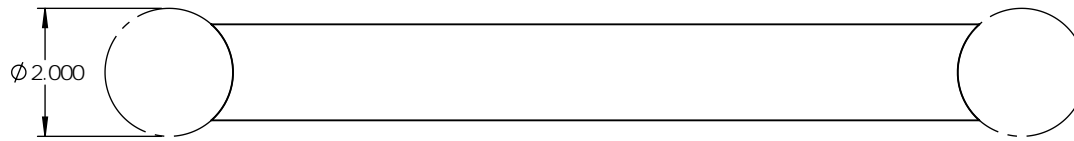
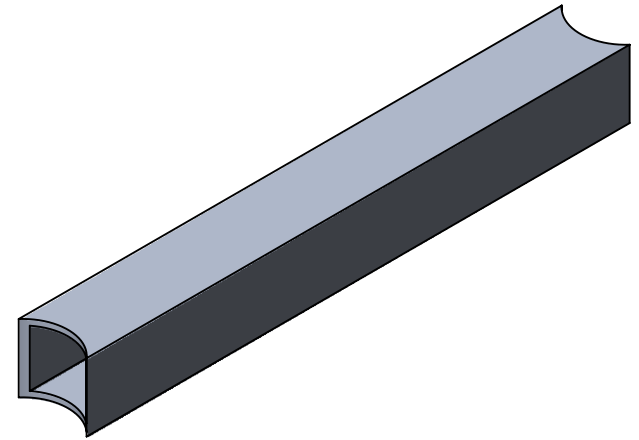
		UNLESS OTHERWISE SPECIFIED:	NAME	DATE
		DIMENSIONS ARE IN INCHES TOLERANCES: FRACTIONAL ± ANGULAR: MACH ± BEND ± TWO PLACE DECIMAL ± THREE PLACE DECIMAL ±	DRAWN	
		INTERPRET GEOMETRIC TOLERANCING PER:	CHECKED	
		MATERIAL	ENG APPR.	
		FINISH	MFG APPR.	
NEXT ASSY	USED ON		Q.A.	
			COMMENTS:	
APPLICATION	DO NOT SCALE DRAWING			

2" ALUMINUM TUBE POST		
TITLE:		
A C P-LA -D-SR-6-26-80W-MN-WF-DIM-27K		
SIZE	DWG. NO.	REV
A		
SCALE: 1:2	WEIGHT:	SHEET 13 OF 15



PROPRIETARY AND CONFIDENTIAL
 THE INFORMATION CONTAINED IN THIS DRAWING IS THE SOLE PROPERTY OF <INSERT COMPANY NAME HERE>. ANY REPRODUCTION IN PART OR AS A WHOLE WITHOUT THE WRITTEN PERMISSION OF <INSERT COMPANY NAME HERE> IS PROHIBITED.

		UNLESS OTHERWISE SPECIFIED:		NAME	DATE	7/8" ROUND ALUMINUM TUBE		
		DIMENSIONS ARE IN INCHES TOLERANCES: FRACTIONAL ± ANGULAR: MACH ± BEND ± TWO PLACE DECIMAL ± THREE PLACE DECIMAL ±		DRAWN		TITLE:		
		INTERPRET GEOMETRIC TOLERANCING PER:		CHECKED		A C P - L A - D - S R - 6 - 2 6 - 8 0 W - M N - W F - D I M - 2 7 K		
		MATERIAL		ENG APPR.		SIZE	DWG. NO.	REV
		FINISH		MFG APPR.		A		
NEXT ASSY	USED ON			Q.A.				
APPLICATION		DO NOT SCALE DRAWING		COMMENTS:		SCALE: 1:2	WEIGHT:	SHEET 14 OF 15



PROPRIETARY AND CONFIDENTIAL
 THE INFORMATION CONTAINED IN THIS DRAWING IS THE SOLE PROPERTY OF <INSERT COMPANY NAME HERE>. ANY REPRODUCTION IN PART OR AS A WHOLE WITHOUT THE WRITTEN PERMISSION OF <INSERT COMPANY NAME HERE> IS PROHIBITED.

		UNLESS OTHERWISE SPECIFIED:		NAME	DATE
		DIMENSIONS ARE IN INCHES TOLERANCES: FRACTIONAL ± ANGULAR: MACH ± BEND ± TWO PLACE DECIMAL ± THREE PLACE DECIMAL ±	DRAWN		
		INTERPRET GEOMETRIC TOLERANCING PER:	CHECKED		
		MATERIAL	ENG APPR.		
		FINISH	MFG APPR.		
NEXT ASSY	USED ON		Q.A.		
APPLICATION	DO NOT SCALE DRAWING		COMMENTS:		

1-1/2" SQUARE ALUMINUM TUBE

TITLE:
 ACP-LA-D-SR-6-26-80W-MN-WF-DIM-27K

SIZE	DWG. NO.	REV
A		

SCALE: 1:3	WEIGHT:	SHEET 15 OF 15
------------	---------	----------------