



**EVERGREEN
LIGHTING**

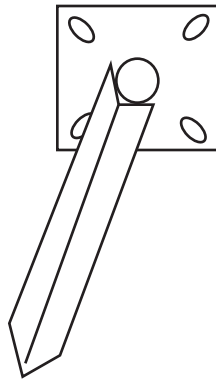
Special Bollard

ARG-B-27"-10W-99-DBSK

SPECIFICATION FEATURES		Date
		01-24-14
Dimensions	27" H x 6 1/2" x 6 1/2 "	
Lamps	10 watts of LED- 3000 K	
Material	Aluminum	
Finish	STD Powdercoat TBD	
Lens	Clear Acrylic	
Label	WET Location	
Voltage	120 / 277	
Description	direct burial post and fixture	

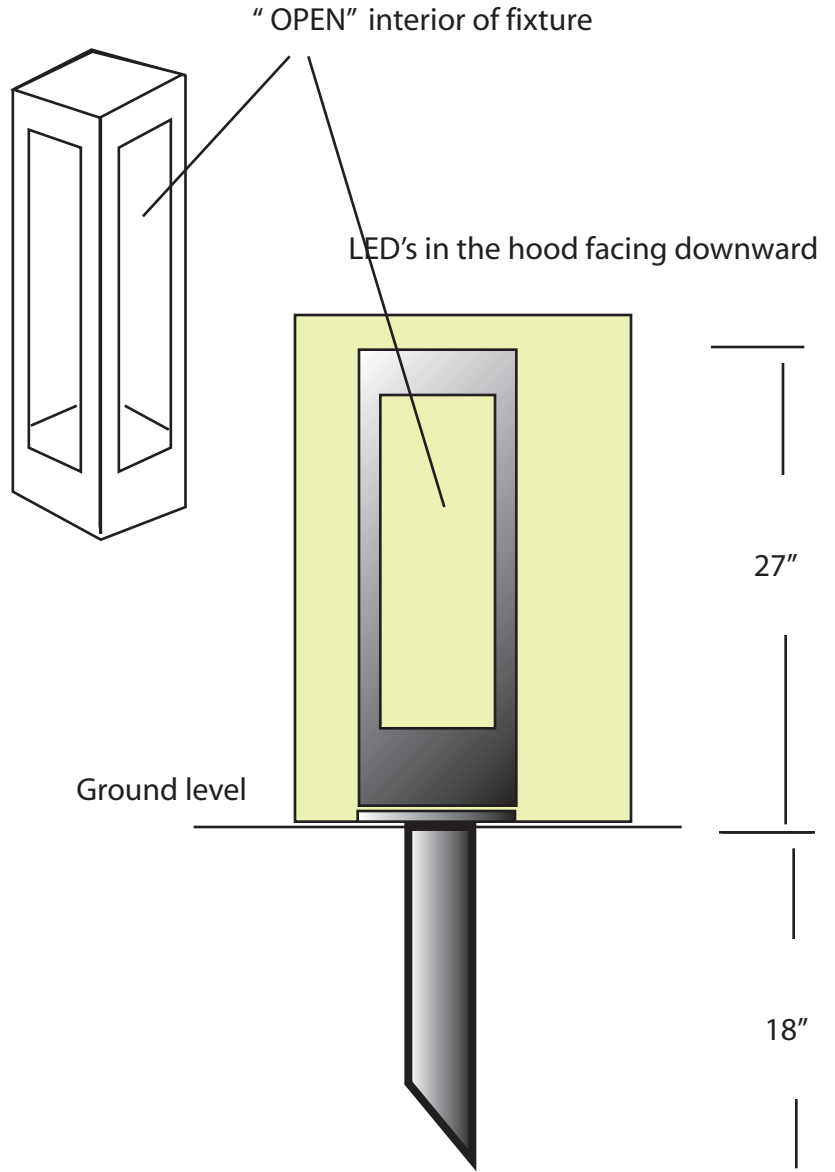
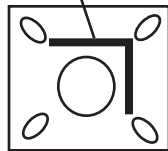
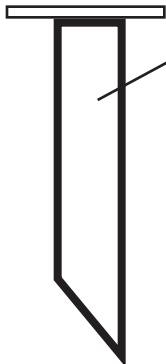
PROJECT:

SPECIFIER:



Bent to 90 degree

Ground Spike



EVERGREEN LIGHTING WWW.EVERGREENLIGHTING.COM
1379 Ridgeway St. Pomona, CA 91768 PHONE: (909) 865-5599 FAX: (909) 865-5539



MADE IN USA ● Information appearing hereon is proprietary and confidential and may not be used without the permission of Evergreen Lighting.

MADE IN USA