



**EVERGREEN
LIGHTING**

Custom Bollard No Lighting

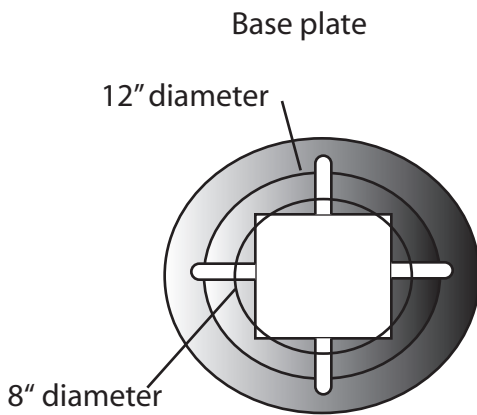
BOL-NOLIGHT-16X42-9

SPECIFICATION FEATURES		Date 02-01-19
Dimensions	42" High	
Lamps	N / A	
Material	Die Cast Aluminum	
Finish	STD Powdercoat TBD	
Lens	N / A	
Label		
Voltage		
Description	Anchor base staturay	

PROJECT:

SPECIFIER:

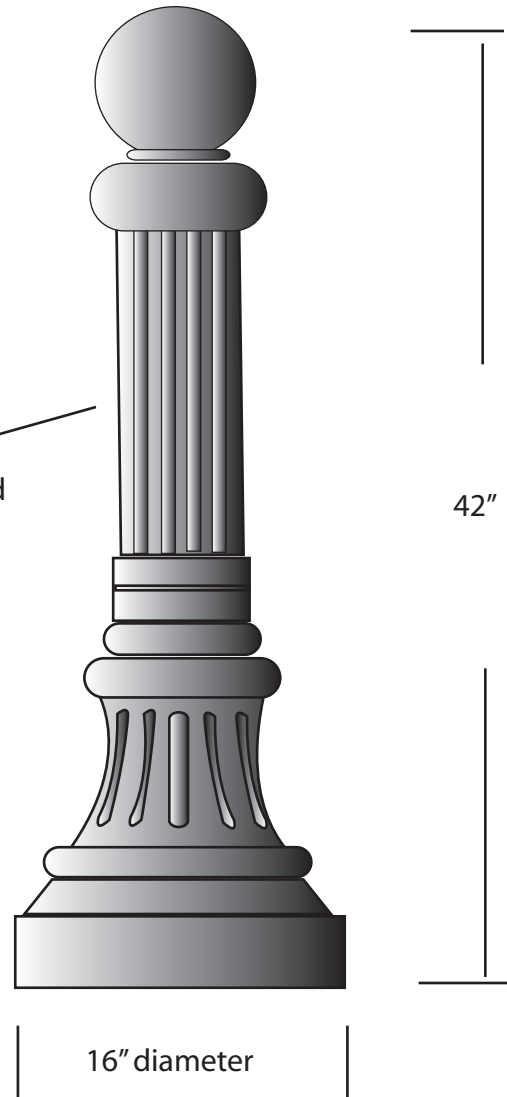
4 bolts at 90 degrees
Bolt circle (universal 8" to 12")



Anchor base and bolts included.

Drawings are not to scale.

6" diameter fluted



16" diameter

42"

EVERGREEN LIGHTING WWW.EVERGREENLIGHTING.COM
1379 Ridgeway St. Pomona, CA 91768 PHONE: (909) 865-5599 FAX: (909) 865-5539



MADE IN USA ● Information appearing hereon is proprietary and confidential and may not be used without the permission of Evergreen Lighting.

MADE IN USA