

ALL BEND RADIUS .030"

UNLESS OTHERWISE SPECIFIED:

DIMENSIONS ARE IN INCHES  
 TOLERANCES:  
 FRACTIONAL ± .003  
 ANGULAR: MACH ± .01 BEND ±  
 TWO PLACE DECIMAL ±  
 THREE PLACE DECIMAL ± .001

INTERPRET GEOMETRIC  
 TOLERANCING PER:

MATERIAL

FINISH

APPLICATION

DO NOT SCALE DRAWING

| NAME | DATE |
|------|------|
|      |      |
|      |      |
|      |      |
|      |      |

|           |  |
|-----------|--|
| DRAWN     |  |
| CHECKED   |  |
| ENG APPR. |  |
| MFG APPR. |  |

Q.A.

COMMENTS:

TITLE:

EC-HOOD-BOL36X5-DN-12W

| SIZE     | DWG. NO. | REV |
|----------|----------|-----|
| <b>A</b> |          |     |

SCALE: 1:9

WEIGHT:

SHEET 1 OF 19

5

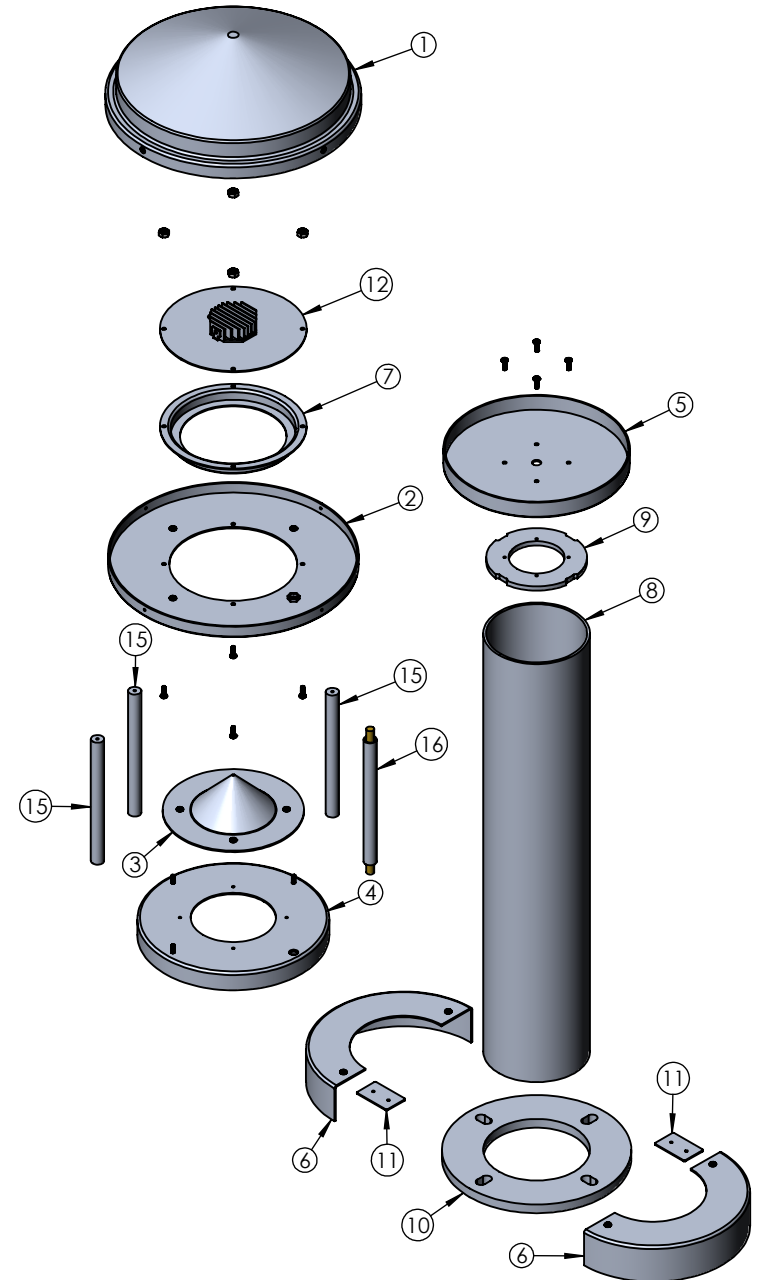
4

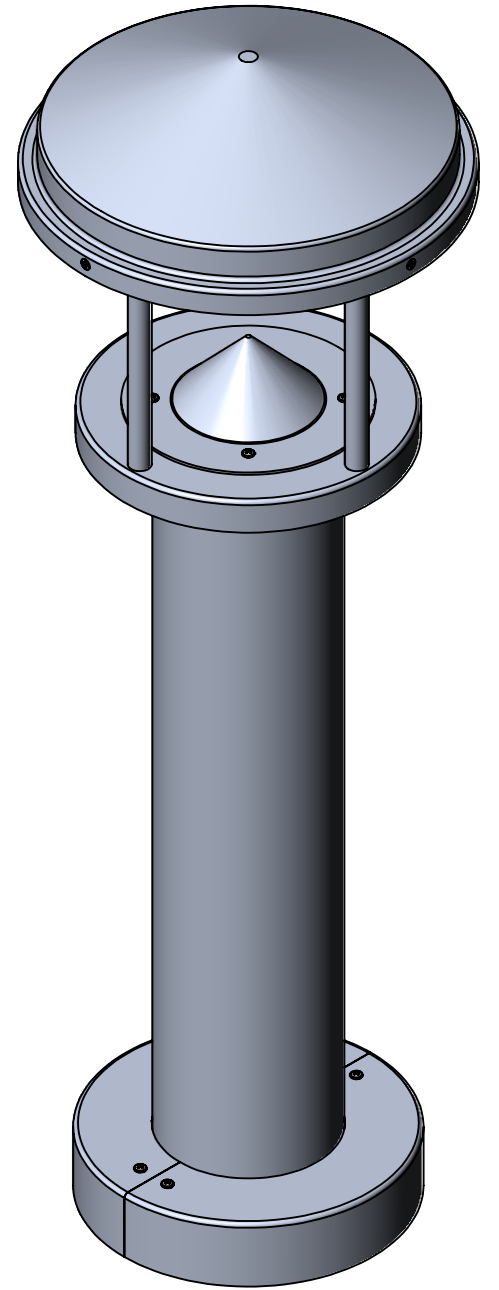
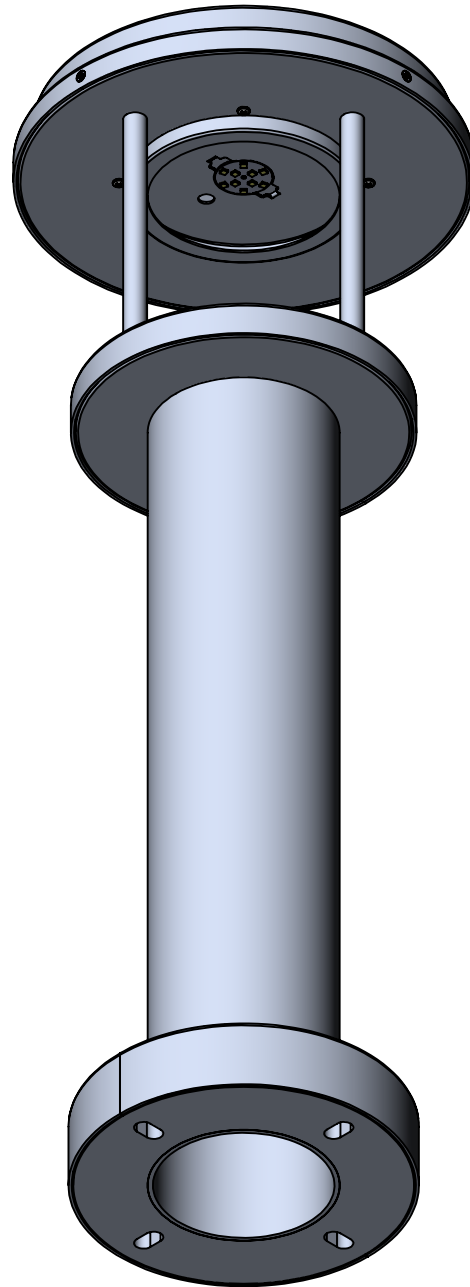
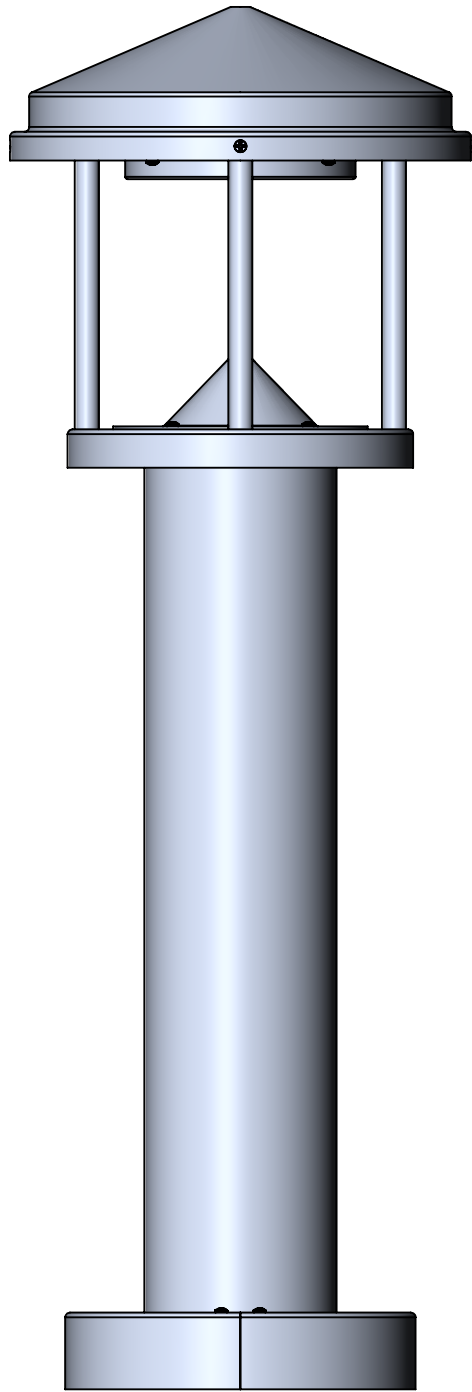
3

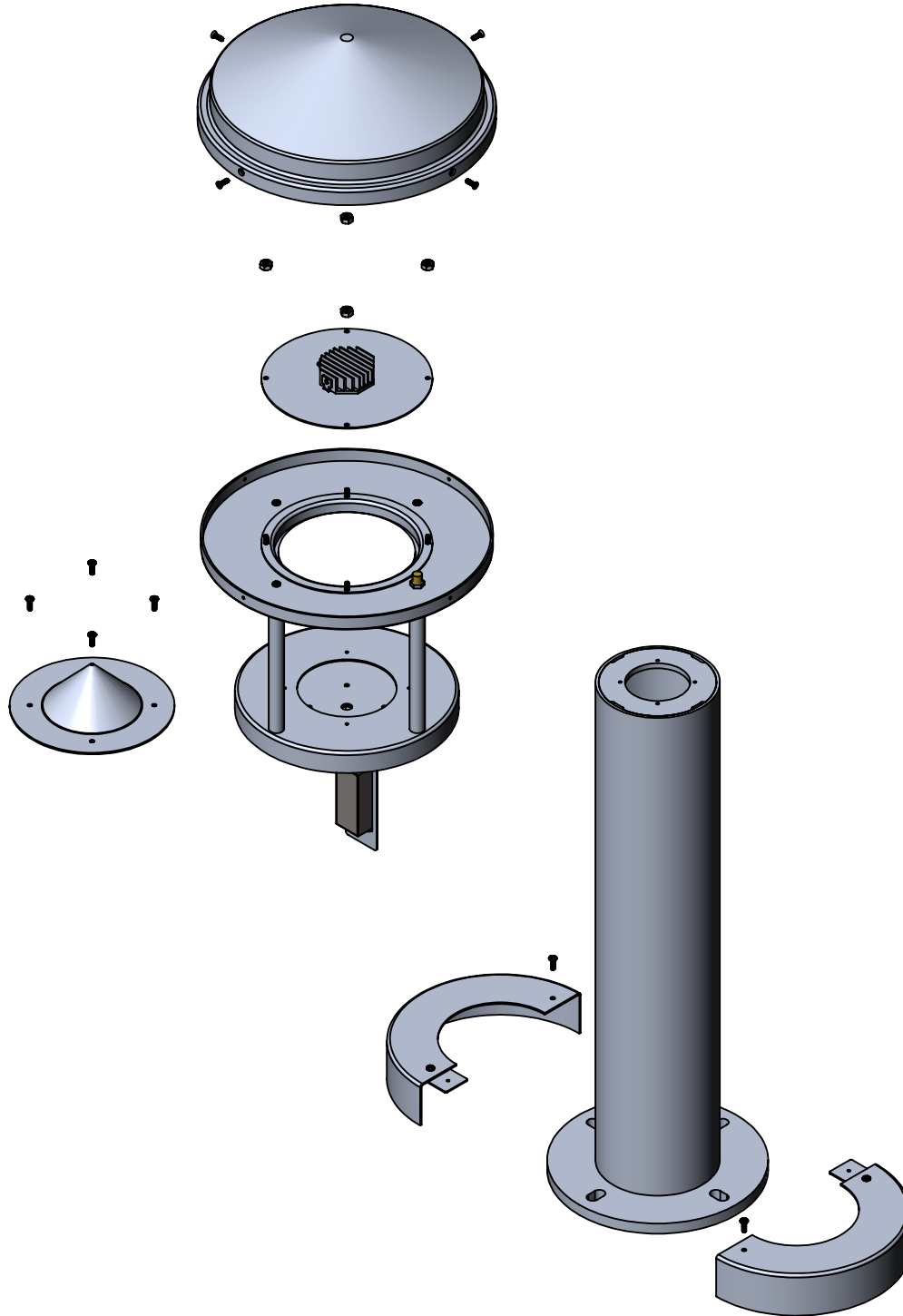
2

1

| ITEM NO. | PART NUMBER                              | DESCRIPTION              | QTY. | CUT |
|----------|--|--------------------------|------|-----|
| 1        | EC-HOOD-BOL36X5-DN-12W-TOP CAP           | SPUN ALUMINUM 0.080"     | 1    |     |
| 2        | EC-HOOD-BOL36X5-DN-12W-TOP SEAT          | SPUN ALUMINUM 0.080"     | 1    |     |
| 3        | EC-HOOD-BOL36X5-DN-12W-LENS CONE         | SPUN ALUMINUM 0.080"     | 1    |     |
| 4        | EC-HOOD-BOL36X5-DN-12W-BOTTOM CAP        | SPUN ALUMINUM 0.080"     | 1    |     |
| 5        | EC-HOOD-BOL36X5-DN-12W-BOTTOM CAP SEAT   | SPUN ALUMINUM 0.080"     | 1    |     |
| 6        | EC-HOOD-BOL36X5-DN-12W-SPUN ANCHOR COVER | SPUN ALUMINUM 0.080"     | 2    |     |
| 7        | EC-HOOD-BOL36X5-DN-12W-SPUN DOOR         | SPUN ALUMINUM 0.0635"    | 1    |     |
| 8        | EC-HOOD-BOL36X5-DN-12W-5" CYLINDER POST  | 5" ALUMINUM TUBE POST    | 1    |     |
| 9        | EC-HOOD-BOL36X5-DN-12W-TUBE FLANGE       | ALUMINUM 0.500" PLATE    | 1    |     |
| 10       | EC-HOOD-BOL36X5-DN-12W-ANCHOR PLATE      | ALUMINUM 0.500" PLATE    | 1    |     |
| 11       | EC-HOOD-BOL36X5-DN-12W-ANCHOR BRACKET    | ALUMINUM 0.0635"         | 2    |     |
| 12       | EC-HOOD-BOL36X5-DN-12W-TOP LED PLATE     | SPUN ALUMINUM 0.0635"    | 1    |     |
| 13       | EC-HOOD-BOL36X5-DN-12W-BRACKET           | ALUMINUM 0.0635"         | 1    |     |
| 14       | EC-HOOD-BOL36X5-DN-12W-ACRYLIC           | ACRYLIC                  | 1    |     |
| 15       | EC-HOOD-BOL36X5-DN-12W-ROUND BAR         | 1/2" ALUMINUM ROUND BAR  | 3    |     |
| 16       | EC-HOOD-BOL36X5-DN-12W-ROUND TUBE        | 1/2" ALUMINUM ROUND TUBE | 1    |     |
| 17       | EC-HOOD-BOL36X5-DN-12W-NIPPLE            | NIPPLE                   | 2    |     |
| 18       | 55MM HEXAGON HEAT SINK                   | HEAT SINK                | 1    |     |
| 19       | SMALL NUT                                | STEEL NUT                | 2    |     |
| 20       | DS-15W-350C1542010-3001                  | DRIVER                   | 1    |     |
| 21       | AltaiLED_PCN_D1500_110B-10 WATT          | LED                      | 1    |     |



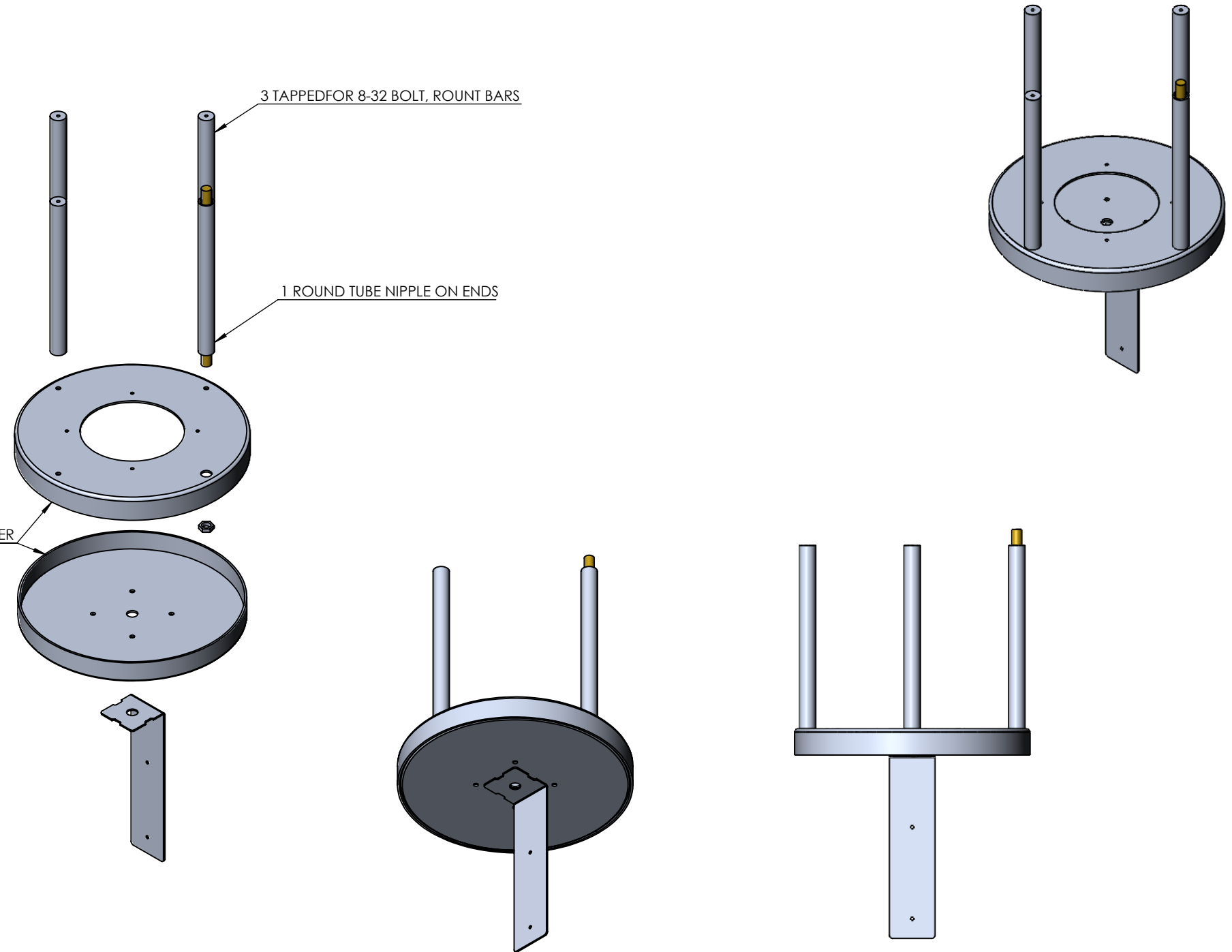


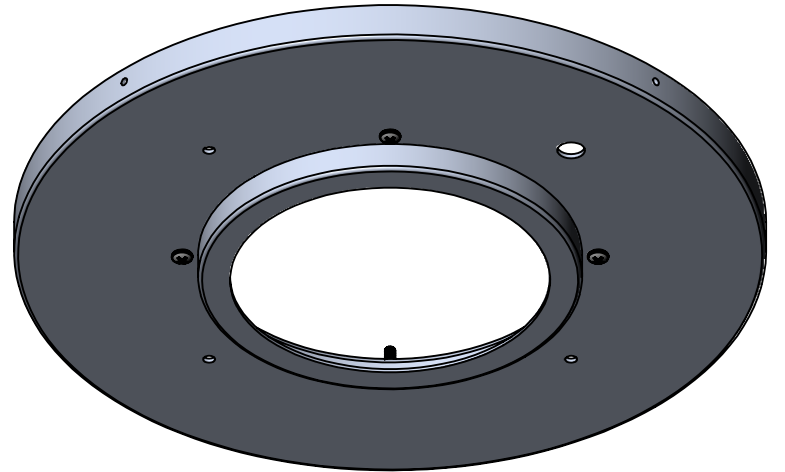
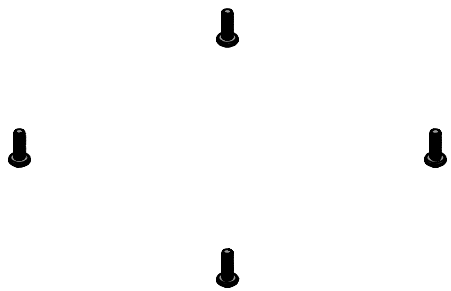
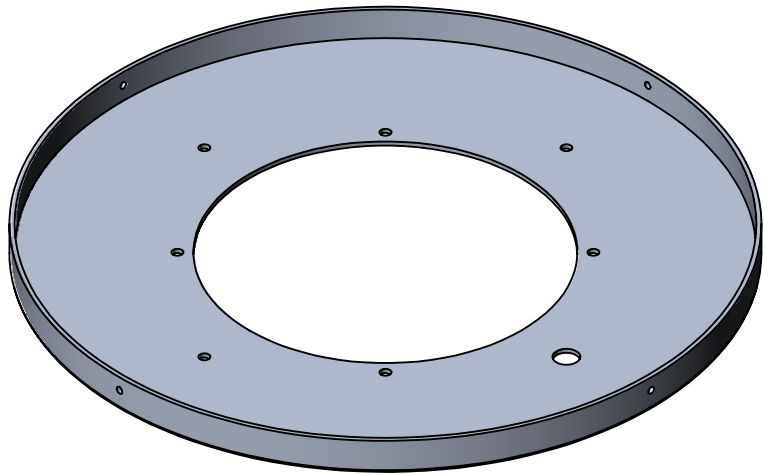
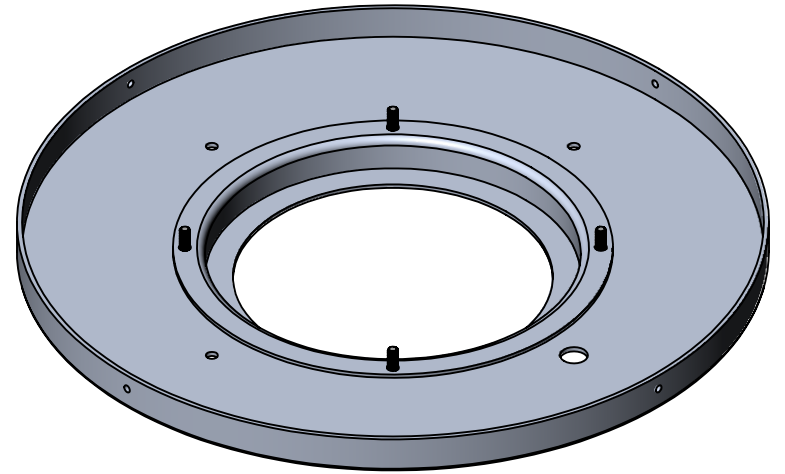
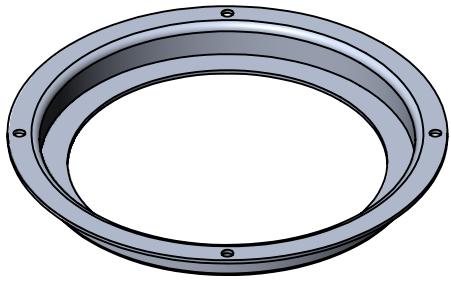


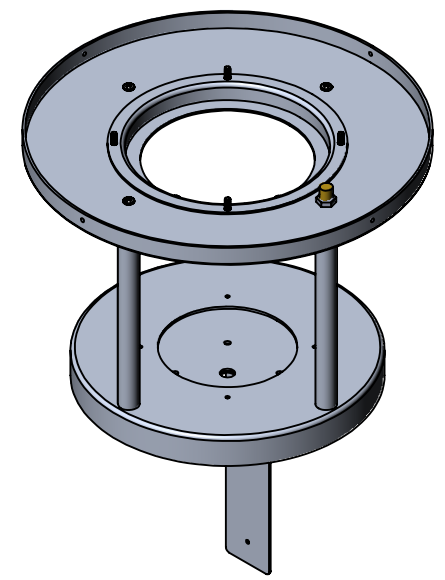
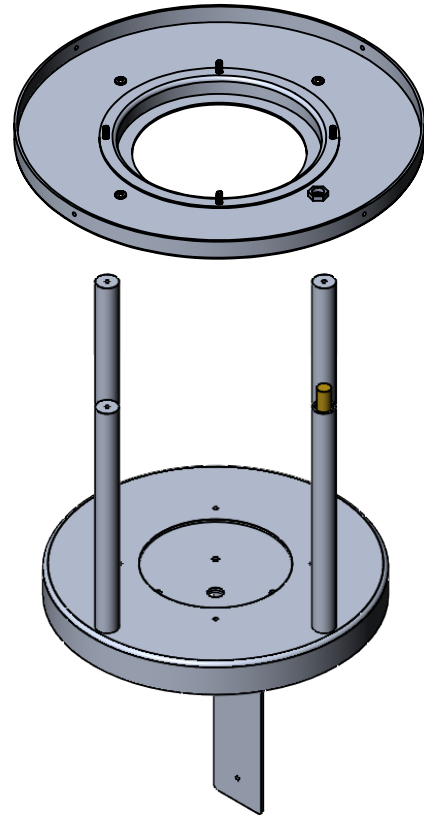
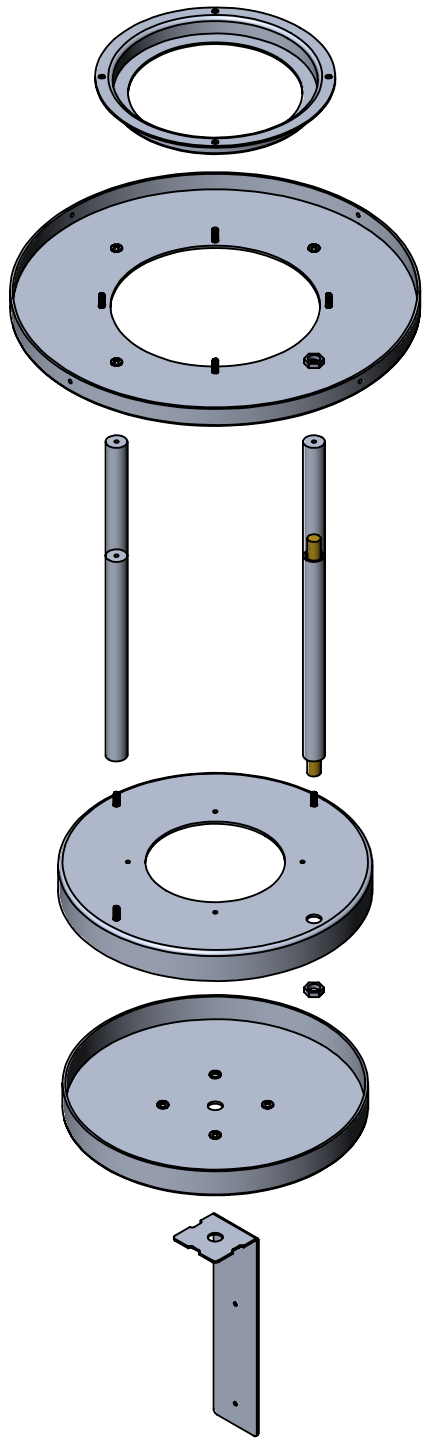
3 TAPPED FOR 8-32 BOLT, ROUNT BARS

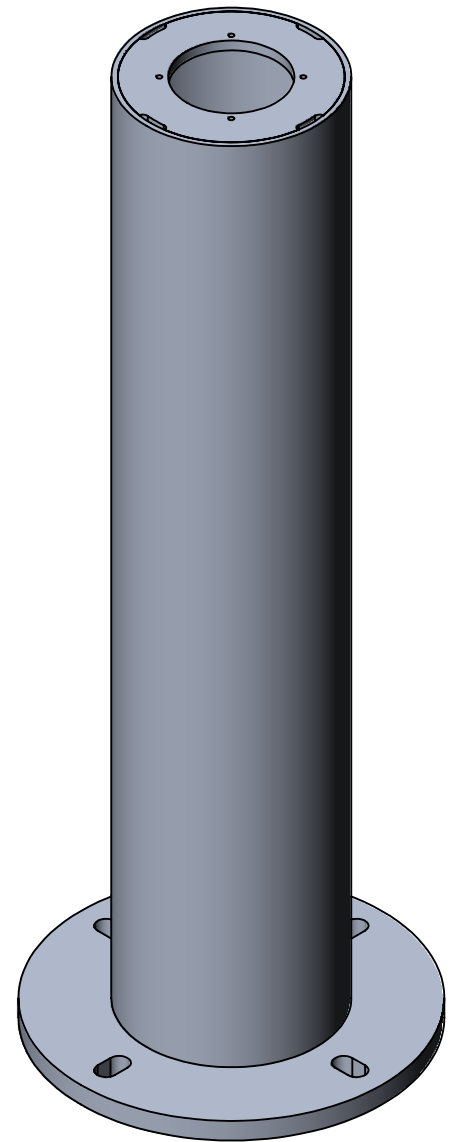
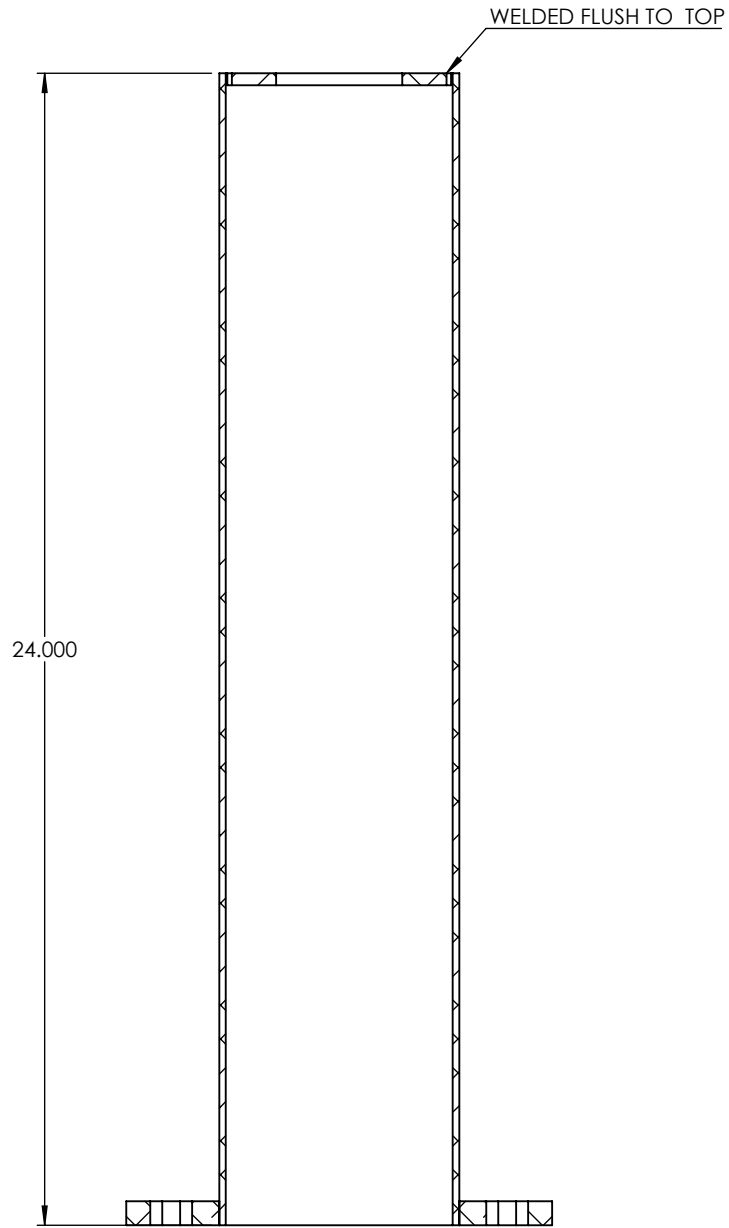
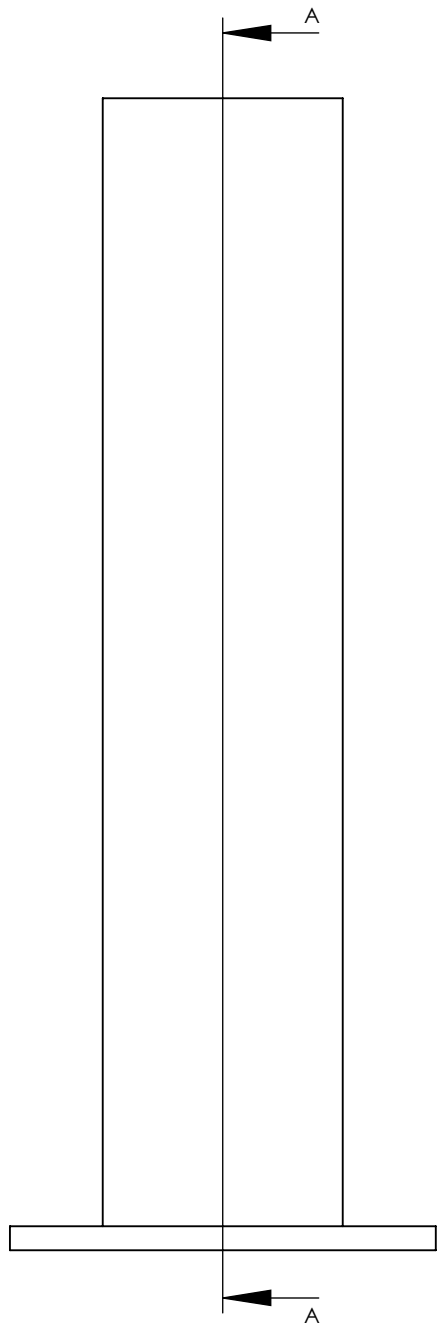
1 ROUND TUBE NIPPLE ON ENDS

WELDED TOGETHER

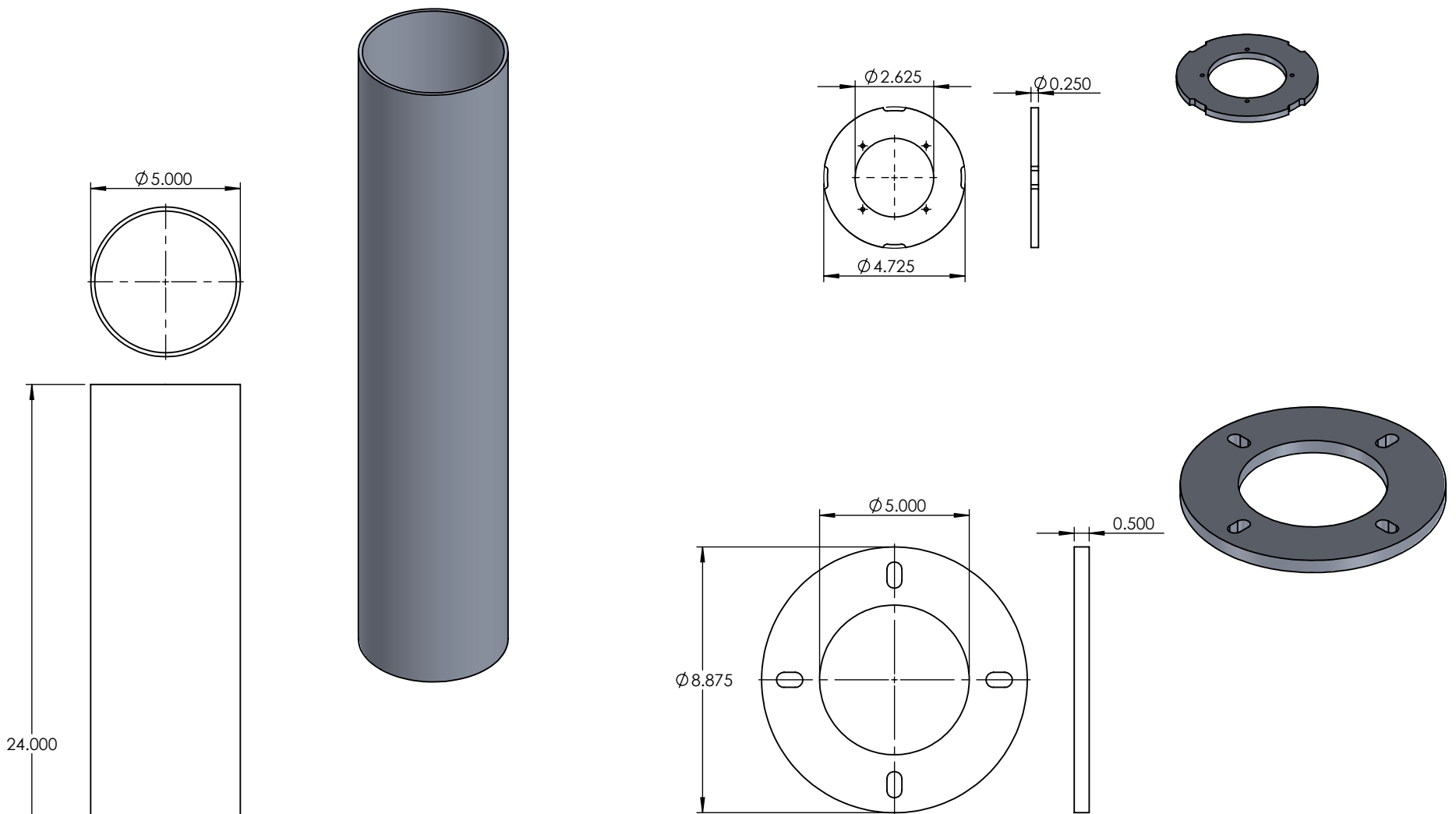












|             |         |                                      |           |      |                        |            |         |
|-------------|---------|--------------------------------------|-----------|------|------------------------|------------|---------|
|             |         | UNLESS OTHERWISE SPECIFIED:          | NAME      | DATE | 5" ALUMINUM TUBE POST  |            |         |
|             |         | DIMENSIONS ARE IN INCHES             | DRAWN     |      |                        |            | TITLE:  |
|             |         | TOLERANCES:                          | CHECKED   |      | EC-HOOD-BOL36X5-DN-12W |            |         |
|             |         | FRACTIONAL ±                         | ENG APPR. |      |                        |            |         |
|             |         | ANGULAR: MACH ± BEND ±               | MFG APPR. |      | SIZE                   | DWG. NO.   | REV     |
|             |         | TWO PLACE DECIMAL ±                  | Q.A.      |      | <b>A</b>               |            |         |
|             |         | THREE PLACE DECIMAL ±                | COMMENTS: |      |                        | SCALE: 1:5 | WEIGHT: |
|             |         | INTERPRET GEOMETRIC TOLERANCING PER: |           |      |                        |            |         |
|             |         | MATERIAL                             |           |      |                        |            |         |
|             |         | FINISH                               |           |      |                        |            |         |
| NEXT ASSY   | USED ON |                                      |           |      |                        |            |         |
| APPLICATION |         | DO NOT SCALE DRAWING                 |           |      |                        |            |         |

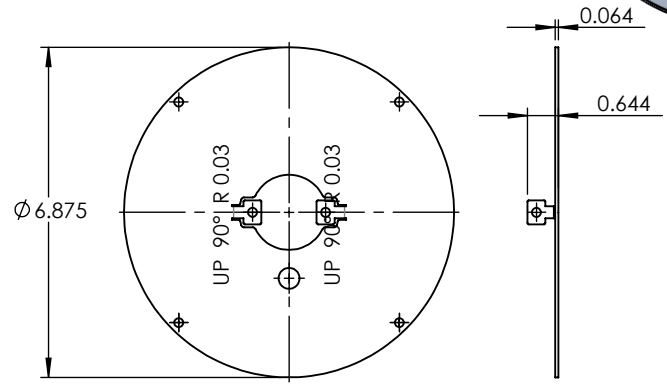
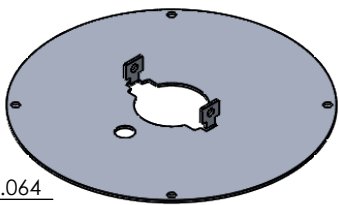
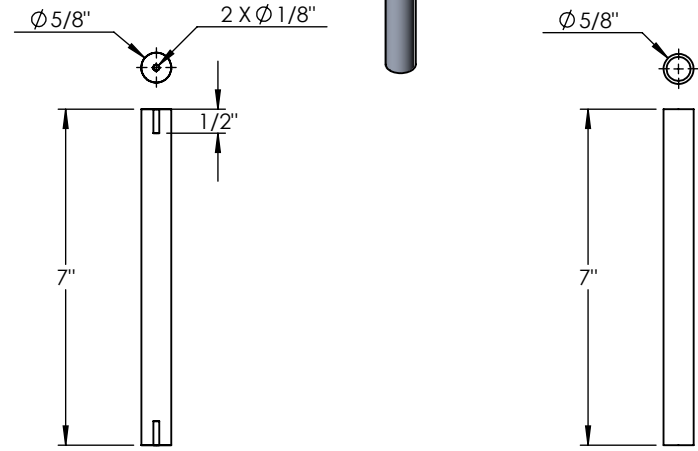
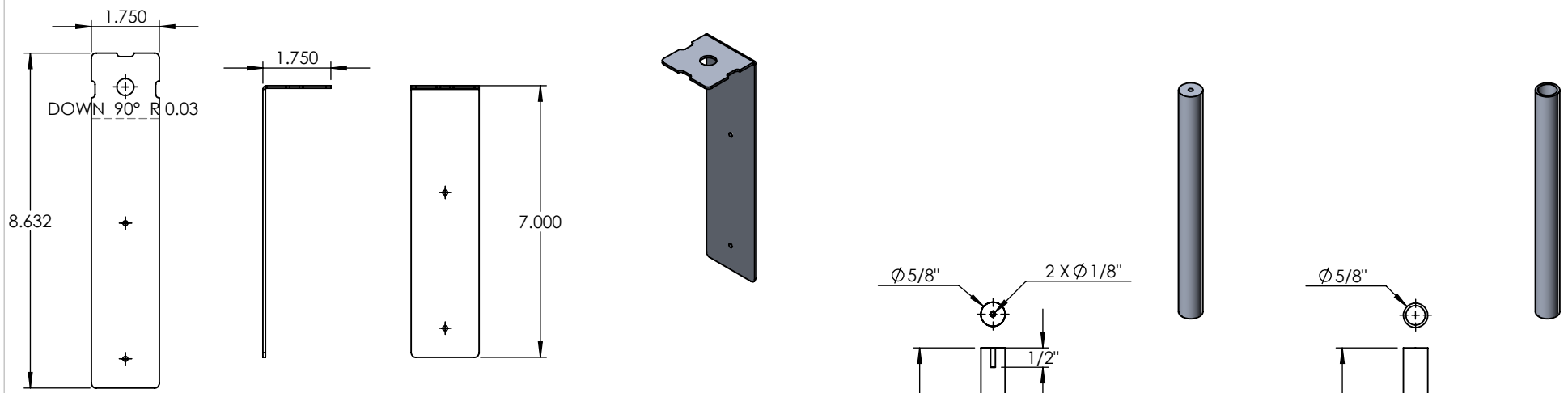
5

4

3

2

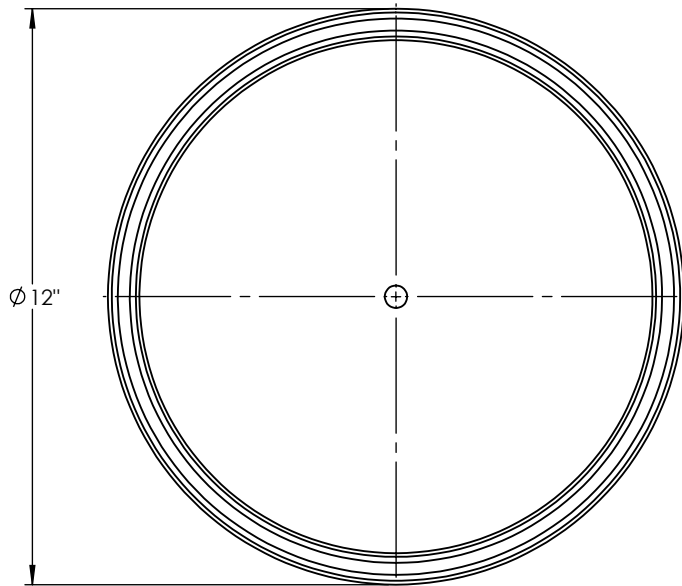
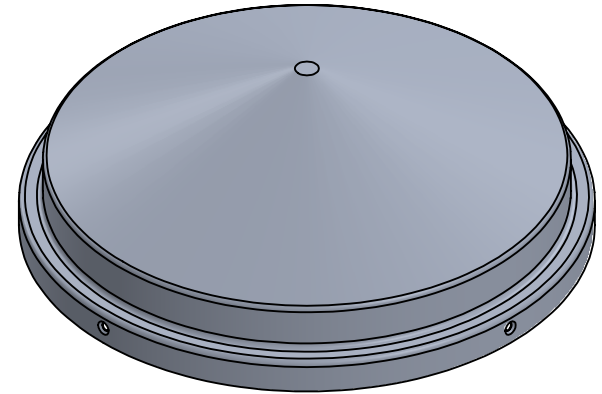
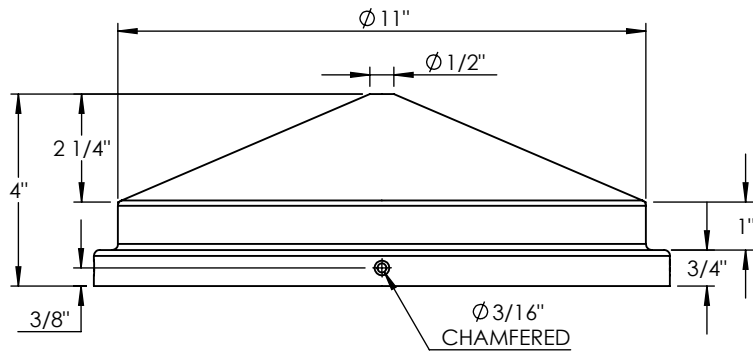
1



|                                      |  |                      |      |                                   |                                      |
|--------------------------------------|--|----------------------|------|-----------------------------------|--------------------------------------|
| UNLESS OTHERWISE SPECIFIED:          |  | NAME                 | DATE | 1/2" ALUMINUM ROUND BAR           |                                      |
| DIMENSIONS ARE IN INCHES             |  | DRAWN                |      |                                   | TITLE:<br><br>EC-HOOD-BOL36X5-DN-12W |
| TOLERANCES:                          |  | CHECKED              |      |                                   |                                      |
| FRACTIONAL ±                         |  | ENG APPR.            |      |                                   |                                      |
| ANGULAR: MACH ± BEND ±               |  | MFG APPR.            |      |                                   |                                      |
| TWO PLACE DECIMAL ±                  |  | Q.A.                 |      | SIZE DWG. NO. REV                 |                                      |
| THREE PLACE DECIMAL ±                |  | COMMENTS:            |      | <b>A</b>                          |                                      |
| INTERPRET GEOMETRIC TOLERANCING PER: |  |                      |      | SCALE: 1:4 WEIGHT: SHEET 10 OF 19 |                                      |
| MATERIAL                             |  |                      |      |                                   |                                      |
| FINISH                               |  |                      |      |                                   |                                      |
| NEXT ASSY                            |  | USED ON              |      |                                   |                                      |
| APPLICATION                          |  | DO NOT SCALE DRAWING |      |                                   |                                      |

**PROPRIETARY AND CONFIDENTIAL**  
 THE INFORMATION CONTAINED IN THIS DRAWING IS THE SOLE PROPERTY OF <INSERT COMPANY NAME HERE>. ANY REPRODUCTION IN PART OR AS A WHOLE WITHOUT THE WRITTEN PERMISSION OF <INSERT COMPANY NAME HERE> IS PROHIBITED.

| ITEM NO. | PART NUMBER                    | DESCRIPTION          | QTY. |
|----------|--------------------------------|----------------------|------|
| 1        | EC-HOOD-BOL36X5-DN-12W-TOP CAP | SPUN ALUMINUM 0.080" | 1    |



**PROPRIETARY AND CONFIDENTIAL**  
 THE INFORMATION CONTAINED IN THIS DRAWING IS THE SOLE PROPERTY OF <INSERT COMPANY NAME HERE>. ANY REPRODUCTION IN PART OR AS A WHOLE WITHOUT THE WRITTEN PERMISSION OF <INSERT COMPANY NAME HERE> IS PROHIBITED.

|  |             | UNLESS OTHERWISE SPECIFIED:          | NAME      | DATE | SPUN ALUMINUM 0.080"   |                |
|--|-------------|--------------------------------------|-----------|------|------------------------|----------------|
|  |             | DIMENSIONS ARE IN INCHES             | DRAWN     |      | TITLE:                 |                |
|  |             | TOLERANCES:                          | CHECKED   |      | EC-HOOD-BOL36X5-DN-12W |                |
|  |             | FRACTIONAL $\pm$                     | ENG APPR. |      | SIZE                   | DWG. NO.       |
|  |             | ANGULAR: MACH $\pm$ BEND $\pm$       | MFG APPR. |      | <b>A</b>               | REV            |
|  |             | TWO PLACE DECIMAL $\pm$              | Q.A.      |      | SCALE: 1:4             | WEIGHT:        |
|  |             | THREE PLACE DECIMAL $\pm$            | COMMENTS: |      |                        | SHEET 11 OF 19 |
|  |             | INTERPRET GEOMETRIC TOLERANCING PER: |           |      |                        |                |
|  |             | MATERIAL                             |           |      |                        |                |
|  | NEXT ASSY   | FINISH                               |           |      |                        |                |
|  | USED ON     |                                      |           |      |                        |                |
|  | APPLICATION | DO NOT SCALE DRAWING                 |           |      |                        |                |

5

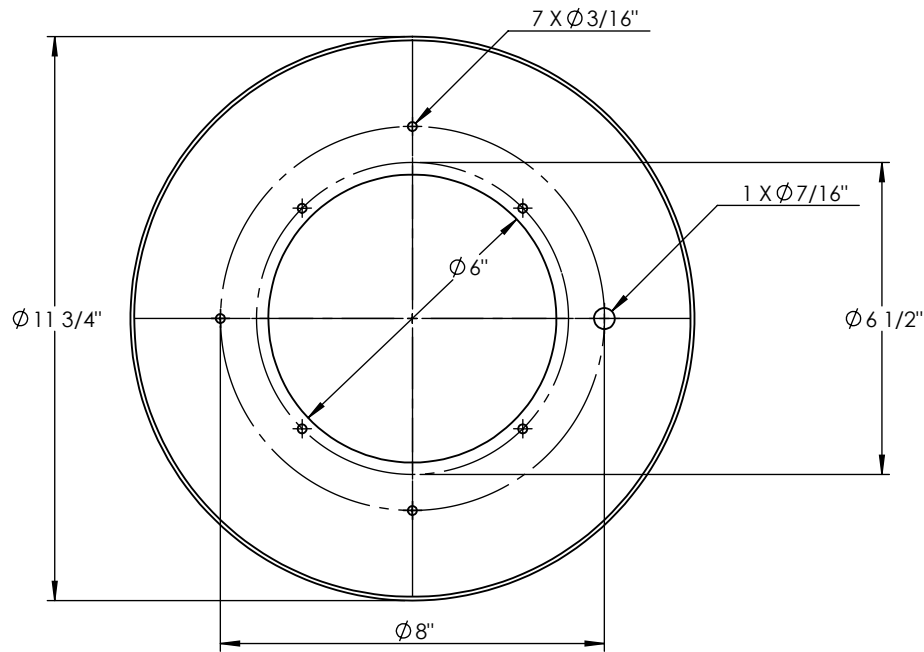
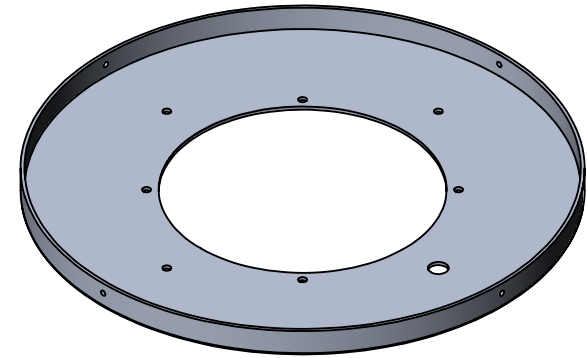
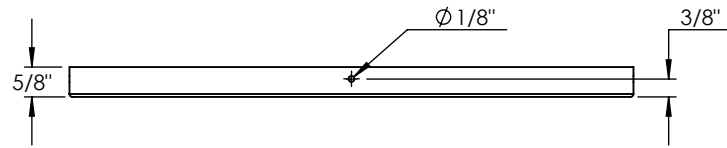
4

3

2

1

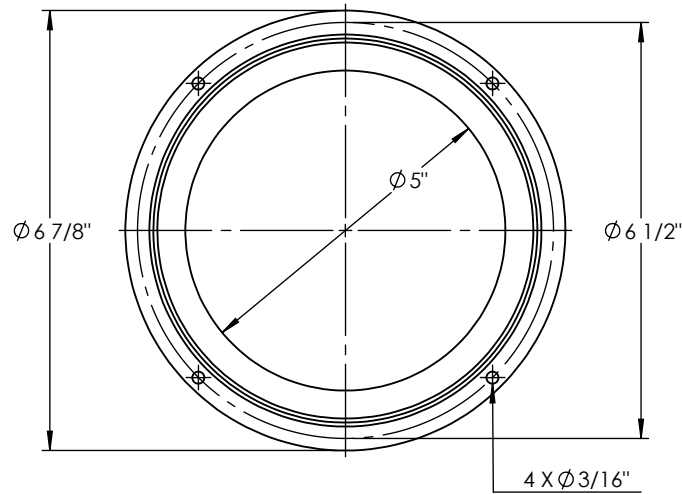
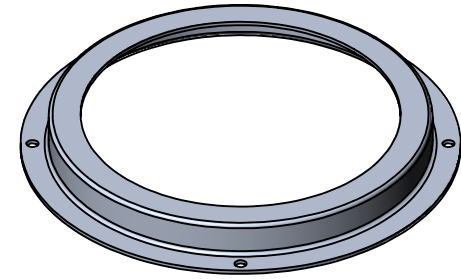
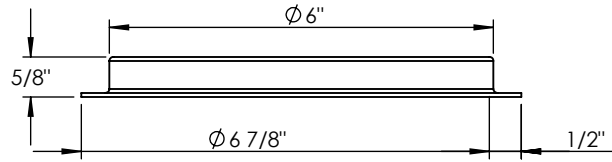
| ITEM NO. | PART NUMBER                     | DESCRIPTION          | QTY. |
|----------|---------------------------------|----------------------|------|
| 1        | EC-HOOD-BOL36X5-DN-12W-TOP SEAT | SPUN ALUMINUM 0.080" | 1    |



**PROPRIETARY AND CONFIDENTIAL**  
 THE INFORMATION CONTAINED IN THIS DRAWING IS THE SOLE PROPERTY OF <INSERT COMPANY NAME HERE>. ANY REPRODUCTION IN PART OR AS A WHOLE WITHOUT THE WRITTEN PERMISSION OF <INSERT COMPANY NAME HERE> IS PROHIBITED.

|             |         |                                      |           |      |                                   |  |
|-------------|---------|--------------------------------------|-----------|------|-----------------------------------|--|
|             |         | UNLESS OTHERWISE SPECIFIED:          | NAME      | DATE | SPUN ALUMINUM 0.080"              |  |
|             |         | DIMENSIONS ARE IN INCHES             | DRAWN     |      | TITLE:                            |  |
|             |         | TOLERANCES:                          | CHECKED   |      | EC-HOOD-BOL36X5-DN-12W            |  |
|             |         | FRACTIONAL ±                         | ENG APPR. |      | SIZE DWG. NO. REV                 |  |
|             |         | ANGULAR: MACH ± BEND ±               | MFG APPR. |      | A                                 |  |
|             |         | TWO PLACE DECIMAL ±                  | Q.A.      |      | SCALE: 1:4 WEIGHT: SHEET 12 OF 19 |  |
|             |         | THREE PLACE DECIMAL ±                | COMMENTS: |      |                                   |  |
|             |         | INTERPRET GEOMETRIC TOLERANCING PER: |           |      |                                   |  |
|             |         | MATERIAL                             |           |      |                                   |  |
| NEXT ASSY   | USED ON | FINISH                               |           |      |                                   |  |
| APPLICATION |         | DO NOT SCALE DRAWING                 |           |      |                                   |  |

| ITEM NO. | PART NUMBER                      | DESCRIPTION           | QTY. |
|----------|----------------------------------|-----------------------|------|
| 1        | EC-HOOD-BOL36X5-DN-12W-SPUN DOOR | SPUN ALUMINUM 0.0635" | 1    |

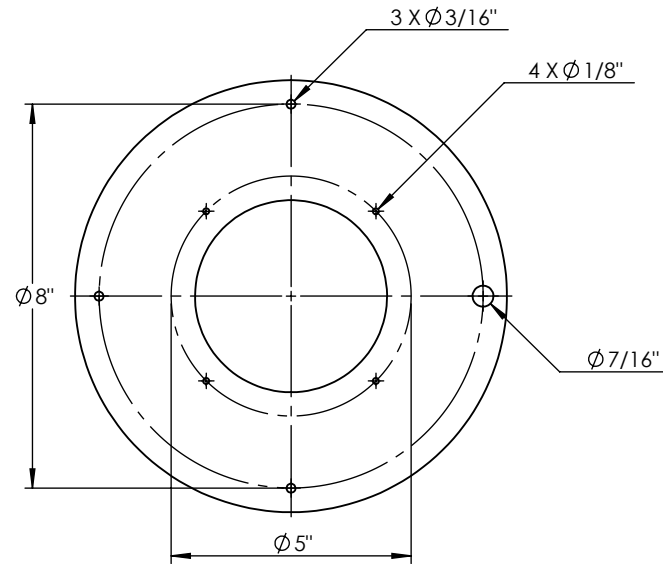
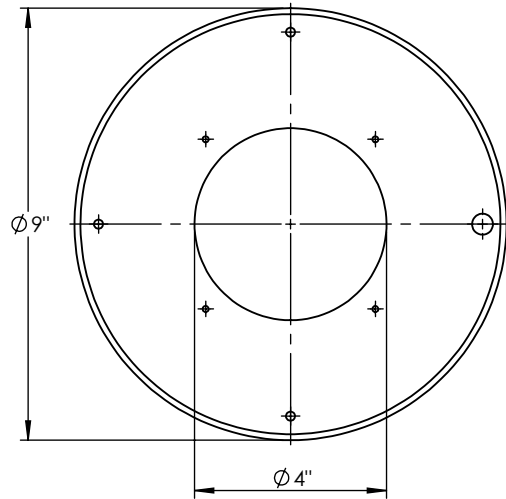
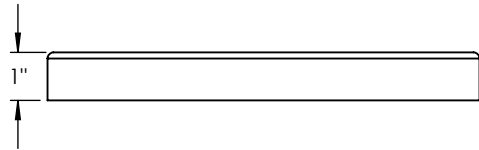
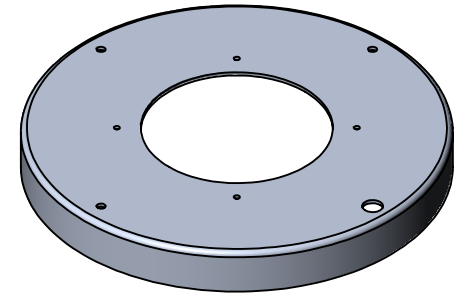


**PROPRIETARY AND CONFIDENTIAL**  
 THE INFORMATION CONTAINED IN THIS DRAWING IS THE SOLE PROPERTY OF <INSERT COMPANY NAME HERE>. ANY REPRODUCTION IN PART OR AS A WHOLE WITHOUT THE WRITTEN PERMISSION OF <INSERT COMPANY NAME HERE> IS PROHIBITED.

|             |         | UNLESS OTHERWISE SPECIFIED:   | NAME      | DATE |
|-------------|---------|---|-----------|------|
|             |         | DIMENSIONS ARE IN INCHES<br>TOLERANCES:<br>FRACTIONAL ±<br>ANGULAR: MACH ± BEND ±<br>TWO PLACE DECIMAL ±<br>THREE PLACE DECIMAL ± | DRAWN     |      |
|             |         | INTERPRET GEOMETRIC TOLERANCING PER:  | CHECKED   |      |
|             |         | MATERIAL  | ENG APPR. |      |
|             |         | FINISH  | MFG APPR. |      |
| NEXT ASSY   | USED ON |   | Q.A.      |      |
| APPLICATION |         | DO NOT SCALE DRAWING  | COMMENTS: |      |

|                        |          |                |
|------------------------|----------|----------------|
| SPUN ALUMINUM 0.0635"  |          |                |
| TITLE:                 |          |                |
| EC-HOOD-BOL36X5-DN-12W |          |                |
| SIZE                   | DWG. NO. | REV            |
| <b>A</b>               |          |                |
| SCALE: 1:3             | WEIGHT:  | SHEET 13 OF 19 |

| ITEM NO. | PART NUMBER                       | DESCRIPTION          | QTY. |
|----------|-----------------------------------|----------------------|------|
| 1        | EC-HOOD-BOL36X5-DN-12W-BOTTOM CAP | SPUN ALUMINUM 0.080" | 1    |

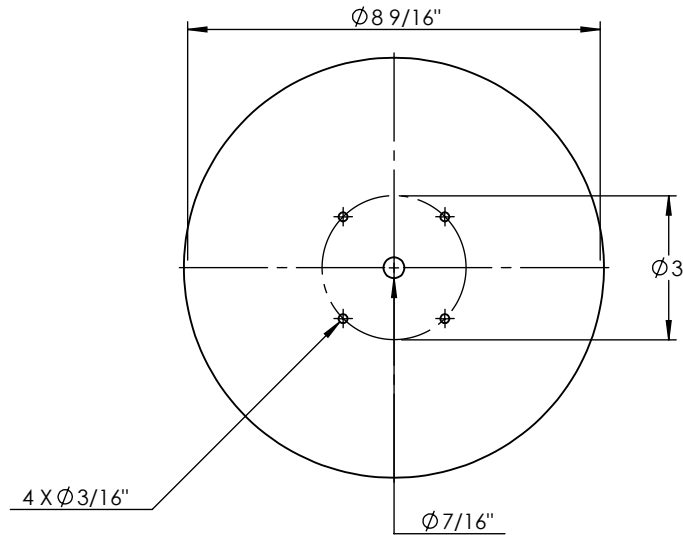
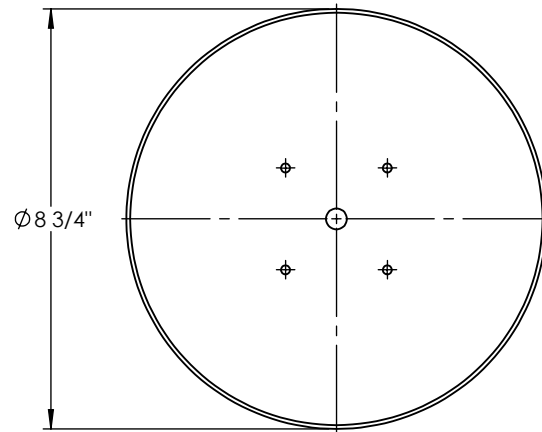
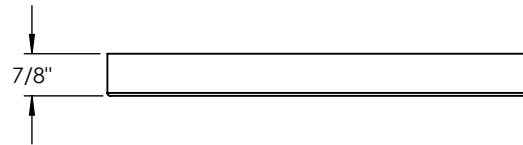
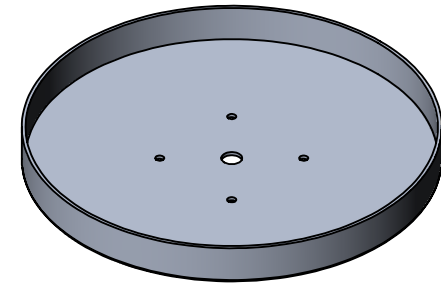


**PROPRIETARY AND CONFIDENTIAL**  
 THE INFORMATION CONTAINED IN THIS DRAWING IS THE SOLE PROPERTY OF <INSERT COMPANY NAME HERE>. ANY REPRODUCTION IN PART OR AS A WHOLE WITHOUT THE WRITTEN PERMISSION OF <INSERT COMPANY NAME HERE> IS PROHIBITED.

|             |         | UNLESS OTHERWISE SPECIFIED:          | NAME      | DATE |
|-------------|---------|--------------------------------------|-----------|------|
|             |         | DIMENSIONS ARE IN INCHES             | DRAWN     |      |
|             |         | TOLERANCES:                          | CHECKED   |      |
|             |         | FRACTIONAL ±                         | ENG APPR. |      |
|             |         | ANGULAR: MACH ± BEND ±               | MFG APPR. |      |
|             |         | TWO PLACE DECIMAL ±                  | Q.A.      |      |
|             |         | THREE PLACE DECIMAL ±                | COMMENTS: |      |
|             |         | INTERPRET GEOMETRIC TOLERANCING PER: |           |      |
|             |         | MATERIAL                             |           |      |
| NEXT ASSY   | USED ON | FINISH                               |           |      |
| APPLICATION |         | DO NOT SCALE DRAWING                 |           |      |

|                        |          |                |
|------------------------|----------|----------------|
| SPUN ALUMINUM 0.080"   |          |                |
| TITLE:                 |          |                |
| EC-HOOD-BOL36X5-DN-12W |          |                |
| SIZE                   | DWG. NO. | REV            |
| <b>A</b>               |          |                |
| SCALE: 1:4             | WEIGHT:  | SHEET 14 OF 19 |

| ITEM NO. | PART NUMBER                            | DESCRIPTION          | QTY. |
|----------|--|----------------------|------|
| 1        | EC-HOOD-BOL36X5-DN-12W-BOTTOM CAP SEAT | SPUN ALUMINUM 0.080" | 1    |

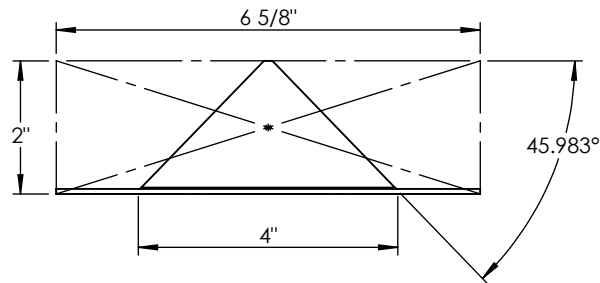
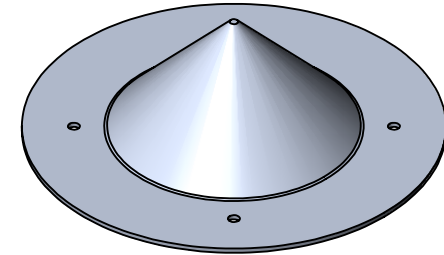
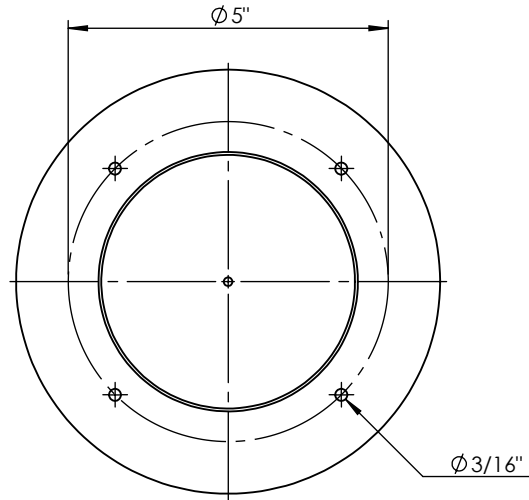


**PROPRIETARY AND CONFIDENTIAL**  
 THE INFORMATION CONTAINED IN THIS DRAWING IS THE SOLE PROPERTY OF <INSERT COMPANY NAME HERE>. ANY REPRODUCTION IN PART OR AS A WHOLE WITHOUT THE WRITTEN PERMISSION OF <INSERT COMPANY NAME HERE> IS PROHIBITED.

|             |         | UNLESS OTHERWISE SPECIFIED:   | NAME      | DATE |
|-------------|---------|---|-----------|------|
|             |         | DIMENSIONS ARE IN INCHES<br>TOLERANCES:<br>FRACTIONAL ±<br>ANGULAR: MACH ± BEND ±<br>TWO PLACE DECIMAL ±<br>THREE PLACE DECIMAL ± | DRAWN     |      |
|             |         | INTERPRET GEOMETRIC TOLERANCING PER:  | CHECKED   |      |
|             |         | MATERIAL  | ENG APPR. |      |
|             |         | FINISH  | MFG APPR. |      |
| NEXT ASSY   | USED ON |   | Q.A.      |      |
| APPLICATION |         | DO NOT SCALE DRAWING  | COMMENTS: |      |

|                        |          |                |
|------------------------|----------|----------------|
| SPUN ALUMINUM 0.080"   |          |                |
| TITLE:                 |          |                |
| EC-HOOD-BOL36X5-DN-12W |          |                |
| SIZE                   | DWG. NO. | REV            |
| <b>A</b>               |          |                |
| SCALE: 1:4             | WEIGHT:  | SHEET 15 OF 19 |

| ITEM NO. | PART NUMBER                      | DESCRIPTION          | QTY. |
|----------|----------------------------------|----------------------|------|
| 1        | EC-HOOD-BOL36X5-DN-12W-LENS CONE | SPUN ALUMINUM 0.080" | 1    |



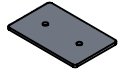
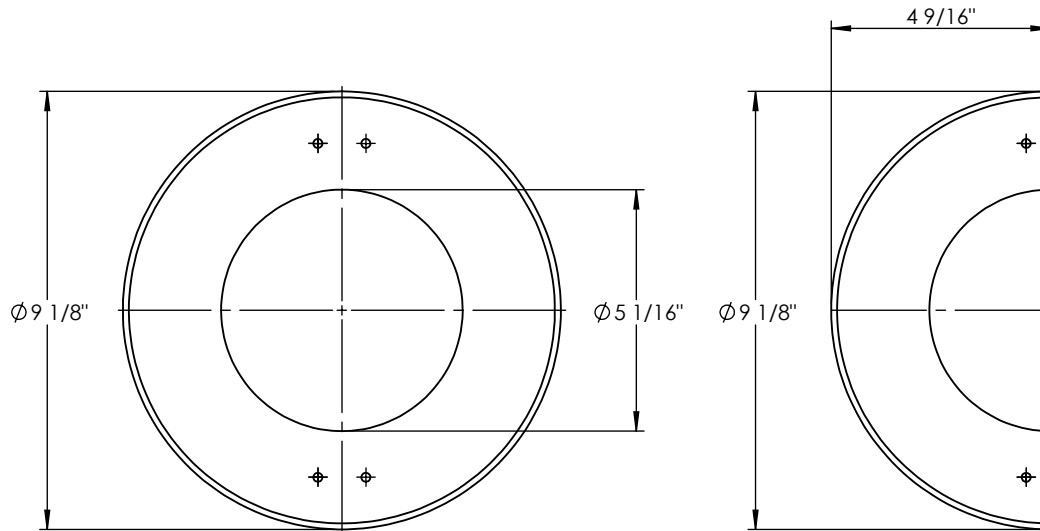
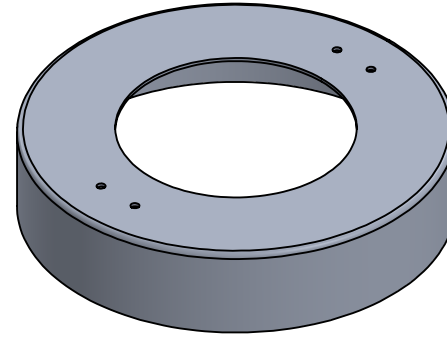
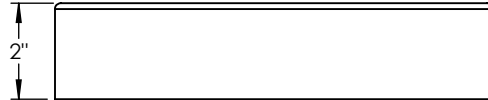
**PROPRIETARY AND CONFIDENTIAL**  
 THE INFORMATION CONTAINED IN THIS DRAWING IS THE SOLE PROPERTY OF <INSERT COMPANY NAME HERE>. ANY REPRODUCTION IN PART OR AS A WHOLE WITHOUT THE WRITTEN PERMISSION OF <INSERT COMPANY NAME HERE> IS PROHIBITED.

|             |         | UNLESS OTHERWISE SPECIFIED:   | NAME      | DATE |
|-------------|---------|---|-----------|------|
|             |         | DIMENSIONS ARE IN INCHES<br>TOLERANCES:<br>FRACTIONAL ±<br>ANGULAR: MACH ± BEND ±<br>TWO PLACE DECIMAL ±<br>THREE PLACE DECIMAL ± | DRAWN     |      |
|             |         | INTERPRET GEOMETRIC TOLERANCING PER:  | CHECKED   |      |
|             |         | MATERIAL  | ENG APPR. |      |
|             |         | FINISH  | MFG APPR. |      |
| NEXT ASSY   | USED ON |   | Q.A.      |      |
| APPLICATION |         | DO NOT SCALE DRAWING  | COMMENTS: |      |

| SPUN ALUMINUM 0.080"   |          |                |
|------------------------|----------|----------------|
| TITLE:                 |          |                |
| EC-HOOD-BOL36X5-DN-12W |          |                |
| SIZE                   | DWG. NO. | REV            |
| <b>A</b>               |          |                |
| SCALE: 1:3             | WEIGHT:  | SHEET 16 OF 19 |



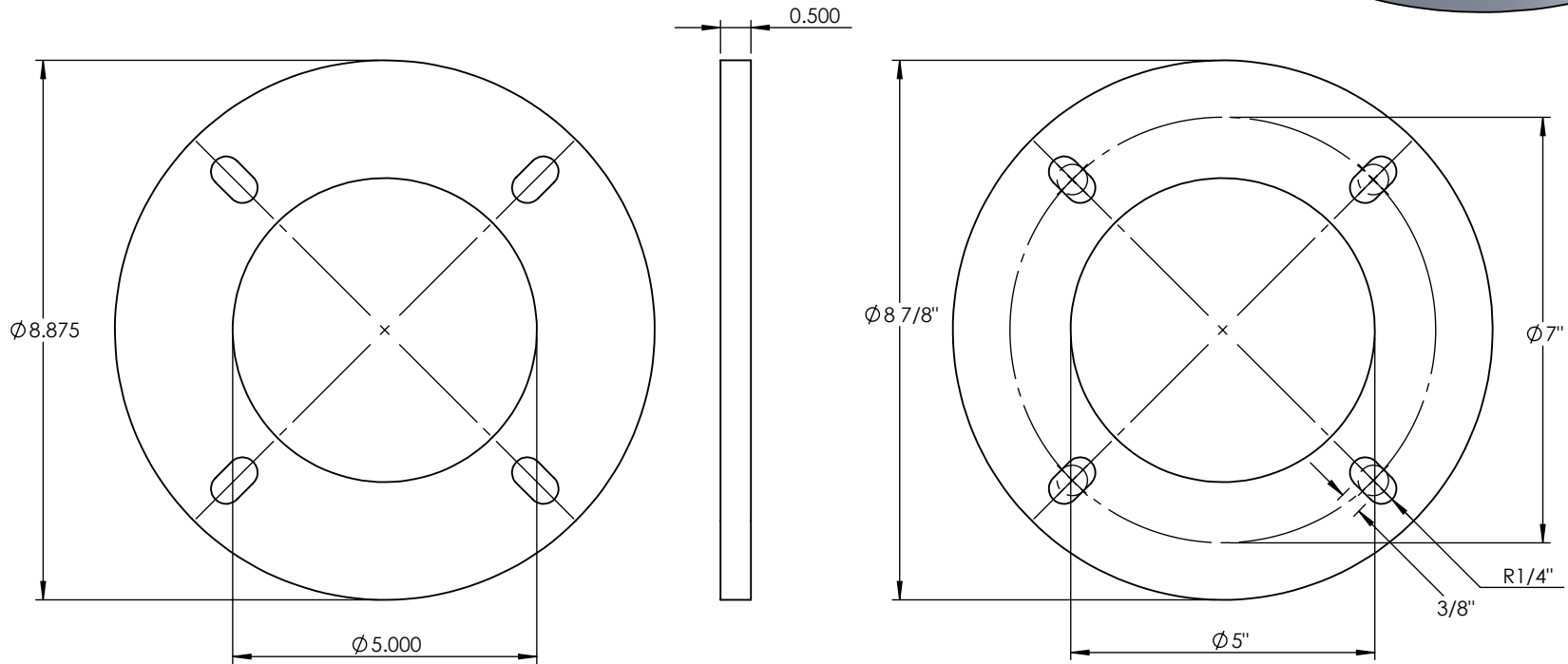
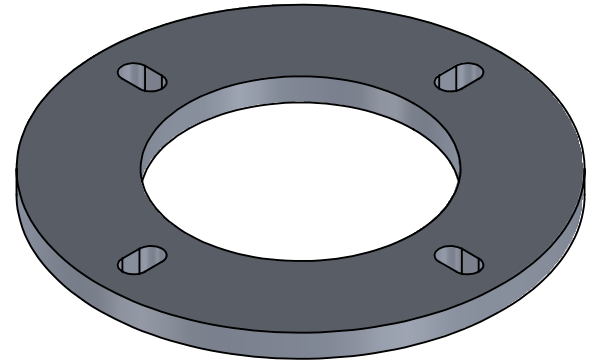
| ITEM NO. | PART NUMBER                              | DESCRIPTION          | QTY. |
|----------|--|----------------------|------|
| 1        | EC-HOOD-BOL36X5-DN-12W-SPUN ANCHOR COVER | SPUN ALUMINUM 0.080" | 1    |



**PROPRIETARY AND CONFIDENTIAL**  
 THE INFORMATION CONTAINED IN THIS DRAWING IS THE SOLE PROPERTY OF <INSERT COMPANY NAME HERE>. ANY REPRODUCTION IN PART OR AS A WHOLE WITHOUT THE WRITTEN PERMISSION OF <INSERT COMPANY NAME HERE> IS PROHIBITED.

|             |         | UNLESS OTHERWISE SPECIFIED:   | NAME      | DATE |
|-------------|---------|---|-----------|------|
|             |         | DIMENSIONS ARE IN INCHES<br>TOLERANCES:<br>FRACTIONAL $\pm$<br>ANGULAR: MACH $\pm$ BEND $\pm$<br>TWO PLACE DECIMAL $\pm$<br>THREE PLACE DECIMAL $\pm$ | DRAWN     |      |
|             |         | INTERPRET GEOMETRIC TOLERANCING PER:  | CHECKED   |      |
|             |         | MATERIAL  | ENG APPR. |      |
|             |         | FINISH  | MFG APPR. |      |
| NEXT ASSY   | USED ON |   | Q.A.      |      |
|             |         |   | COMMENTS: |      |
| APPLICATION |         |   |           |      |
|             |         | DO NOT SCALE DRAWING  |           |      |

| SPUN ALUMINUM 0.080"   |          |                |
|------------------------|----------|----------------|
| TITLE:                 |          |                |
| EC-HOOD-BOL36X5-DN-12W |          |                |
| SIZE                   | DWG. NO. | REV            |
| <b>A</b>               |          |                |
| SCALE: 1:4             | WEIGHT:  | SHEET 17 OF 19 |



**PROPRIETARY AND CONFIDENTIAL**  
 THE INFORMATION CONTAINED IN THIS DRAWING IS THE SOLE PROPERTY OF <INSERT COMPANY NAME HERE>. ANY REPRODUCTION IN PART OR AS A WHOLE WITHOUT THE WRITTEN PERMISSION OF <INSERT COMPANY NAME HERE> IS PROHIBITED.

|             |         |   |           |      |
|-------------|---------|---|-----------|------|
|             |         | UNLESS OTHERWISE SPECIFIED:   | NAME      | DATE |
|             |         | DIMENSIONS ARE IN INCHES<br>TOLERANCES:<br>FRACTIONAL $\pm$<br>ANGULAR: MACH $\pm$ BEND $\pm$<br>TWO PLACE DECIMAL $\pm$<br>THREE PLACE DECIMAL $\pm$ | DRAWN     |      |
|             |         | INTERPRET GEOMETRIC<br>TOLERANCING PER:   | CHECKED   |      |
|             |         | MATERIAL  | ENG APPR. |      |
|             |         | FINISH  | MFG APPR. |      |
| NEXT ASSY   | USED ON |   | Q.A.      |      |
|             |         |   | COMMENTS: |      |
| APPLICATION |         | DO NOT SCALE DRAWING  |           |      |

|                        |          |                |
|------------------------|----------|----------------|
| ALUMINUM 0.500" PLATE  |          |                |
| TITLE:                 |          |                |
| EC-HOOD-BOL36X5-DN-12W |          |                |
| SIZE                   | DWG. NO. | REV            |
| <b>A</b>               |          |                |
| SCALE: 1:3             | WEIGHT:  | SHEET 18 OF 19 |

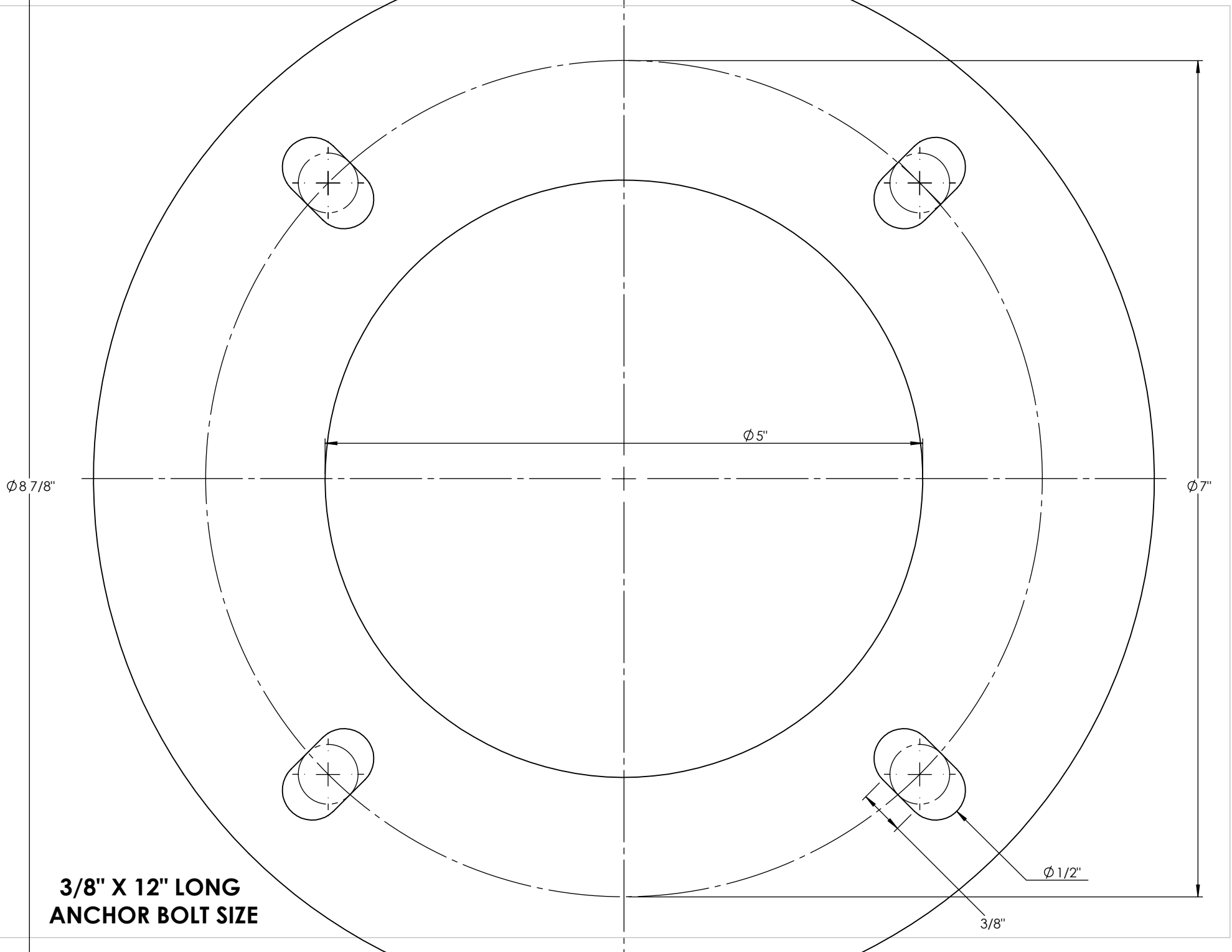
5

4

3

2

1



$\phi 8 \frac{7}{8}"$

$\phi 7"$

$\phi 5"$

$\phi \frac{1}{2}"$

$\frac{3}{8}"$

**3/8" X 12" LONG  
ANCHOR BOLT SIZE**