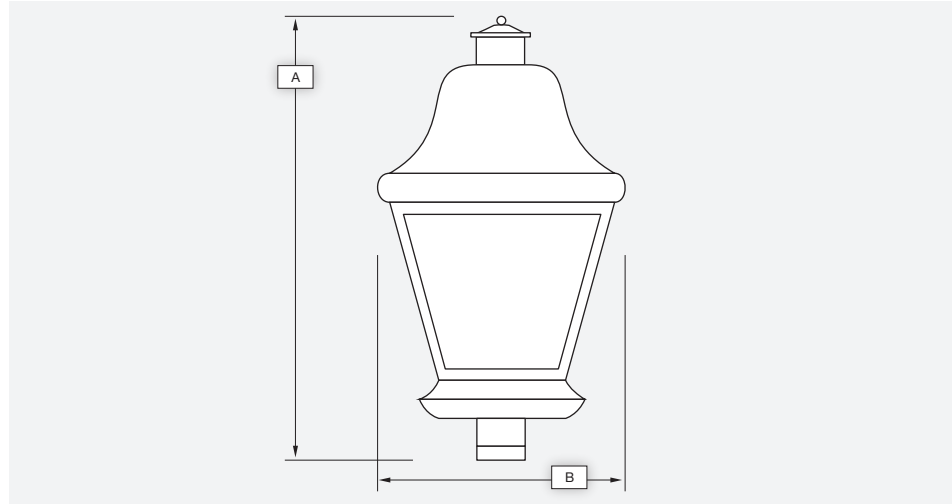




PALERMO

Catalog #		Type
Project		
Description		Date

POST MOUNT



Standard Features

Material

Paintlok sheet; Standard Powdercoat Finish, White Acrylic Lens; .125 thickness, ETL Wet Location.

Installation

N/A

Optics*

Contact Evergreen Lighting for complete photometrics.

LED Features

LED

Alta LED #AL-R-1W-30LED array to be mounted onto an Aluminum MPCB Board configured to the proper wattage. The LED arrays will be centered within the Lens area and mounted on a white aluminum reflective plate.

Driver

Specific Drivers will be matched with each different LED array configuration/wattage. Standard Driver Features:

- Constant Current
- 3 / 5 year warranty
- 120/277 multi-voltage power supplies
- Kelvin - 2700K, 3000K, 3500K, 4100K, 5000K

Fluorescent Features

Ballast

SC programmed electronic high power factor ballast, multivoltage 120V/277V. Lamps not included

Finishes

Ballast

Architectural Bronze (AB)	Textured Gold (TG)
Textured Bronze (TBR)	Metallic Nickel (MN)
Matte Black (MBK)	Textured Verde Patina (TVP)
Semi Gloss Black (GBK)	Satin Brass (SB)
Textured Black (TBK)	Copper Vein (CV)
Textured Rust (TR)	Gold Vein (GV)
Matte White (MW)	Silver Vein (SV)
Textured White (TW)	Chrome (CH)
Gloss White (GW)	Oil Rubbed Bronze (ORB)
Metallic Grey (MG)	

Options*

- Emergency (EMR)
- Vandal Proof Enclosure (VPE)
- Photocell (PC)
- Lamp Sources
- Size Modifications
- Special Lens

Sample Spec Number: PAL4203Q-AB-A

Part #	Lamp/Watts	Lumens	A	B	C
PAL4203Q	13Q	800	20 3/4	9	
PAL4205T	26T	1800	20 3/4	9	
PAL4204Q	2-13Q	1600	20 3/4	9	
PAL3205	26Q	1800	20 3/4	9	
PAL4311	32T	2200	23	10	
PAL4304Q	2-13Q	1600	23	10	
PAL4306	2-26Q	3600	23	10	
PAL4322	42T	3200	23	10	
PAL4206L	6LED	600	20 3/4	9	
PAL4210L	10LED	1000	20 3/4	9	
PAL4212L	12LED	1200	20 3/4	9	
PAL4320L	20LED	2000	23	10	
PAL4324L	24LED	2400	23	10	
PAL4340L	40LED	4000	23	10	
DARK SKY					
PAL4209LS	9LED	900	20 3/4	9	
PAL4215LS	15LED	1500	20 3/4	9	
PAL4320LS	20LED	2000	23	10	

Evergreen Lighting

1379 Ridgeway Street, Pomona, CA 91768

Ph: 909-865-5599 Fax: 909-865-5539

www.evergreenlighting.com

*Consult Factory

MADE IN CALIFORNIA

