

ITEM NO.	PART NUMBER	DESCRIPTION	QTY.	CUT
1	STNLP-9"-12W-AA-A-XXK-SPUN COVER	SPUN ALUMINUM 0.080"	1	
2	STNLP-9"-12W-AA-A-XXK-SPUN BACKPAN	SPUN ALUMINUM 0.080"	1	
3	STNLP-9"-12W-AA-A-XXK-ACRYLIC	ACRYLIC LENS	1	
4	92268A180	Press-Fit Nuts for Sheet Metal	8	
5	92949A194	18-8 SS Hex Drive Screw	4	
6	92949A194	HEX ROUNDED SCREWS (#8-32 THREAD) 3/8" L	4	
7	98164A143	ROUNDED SCREWS (#8-32 THREAD) 1" L	2	
8	90866A009	Zinc-Plated Steel Wing Nut	4	
9	AC15CD350AT2S LED DRIVER	DRIVER	1	
10	PCN-1500-100X.2-8-350	12-WATT LED PUCK	1	

UNLESS OTHERWISE SPECIFIED:

DIMENSIONS ARE IN INCHES  
 TOLERANCES:  
 FRACTIONAL ± .003  
 ANGULAR: MACH ± .01 BEND ±  
 TWO PLACE DECIMAL ±  
 THREE PLACE DECIMAL ±.001

INTERPRET GEOMETRIC  
 TOLERANCING PER:

MATERIAL

FINISH

	NAME	DATE
DRAWN		
CHECKED		
ENG APPR.		
MFG APPR.		
Q.A.		

COMMENTS:

TITLE:

STNLP-9"-12W-AA-A-XXK

SIZE	DWG. NO.	REV
<b>A</b>		

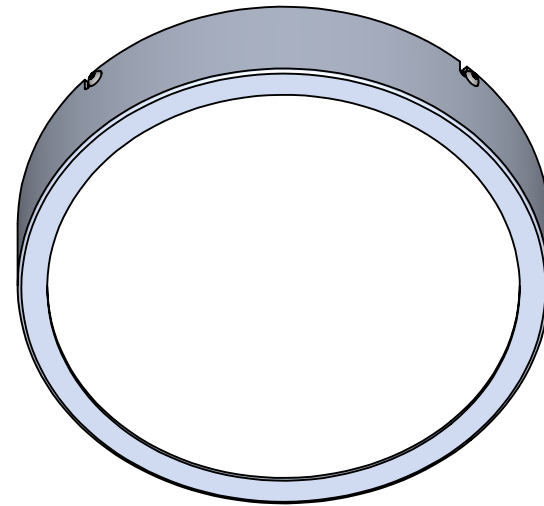
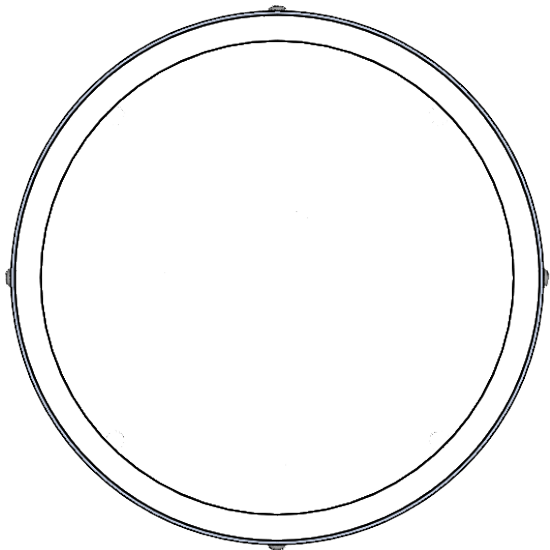
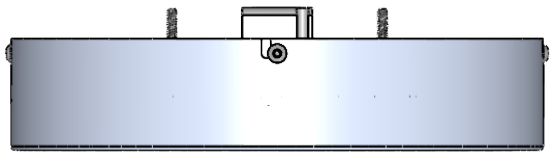
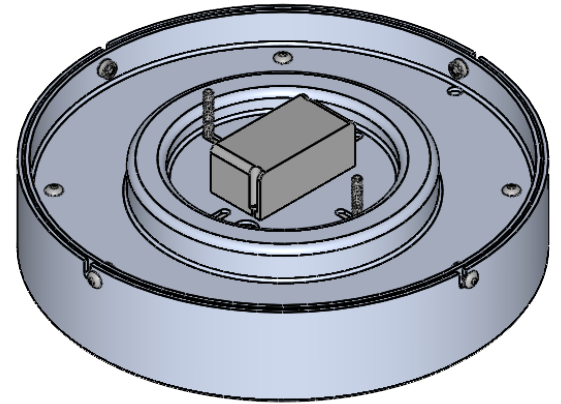
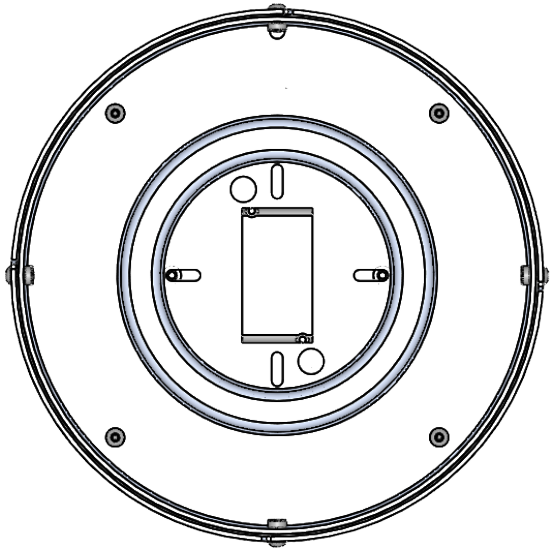
SCALE: 1:4 WEIGHT: SHEET 1 OF 12

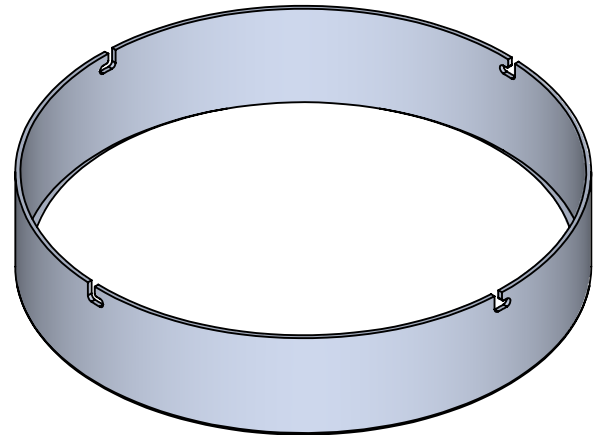
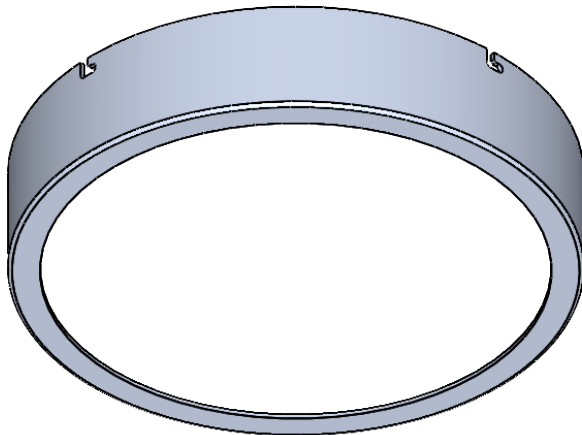
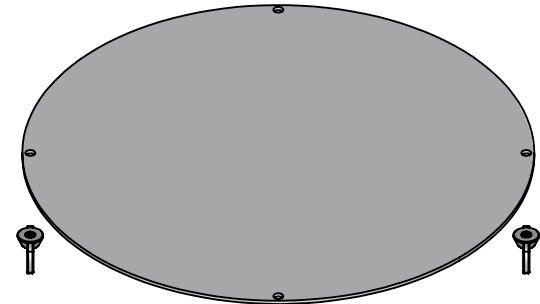
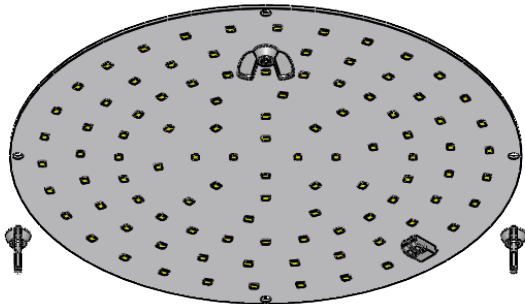
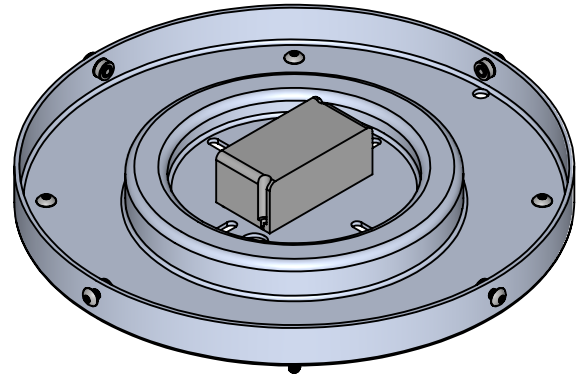
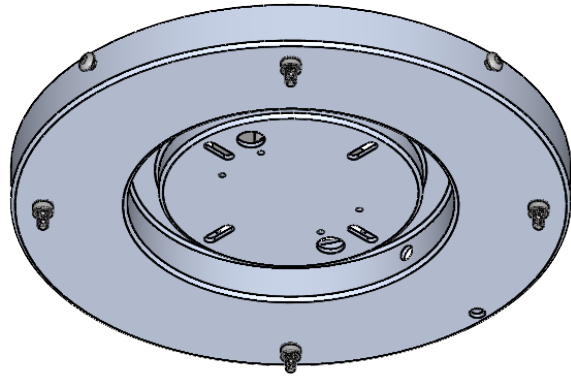


ALL BEND RADIUS .030"

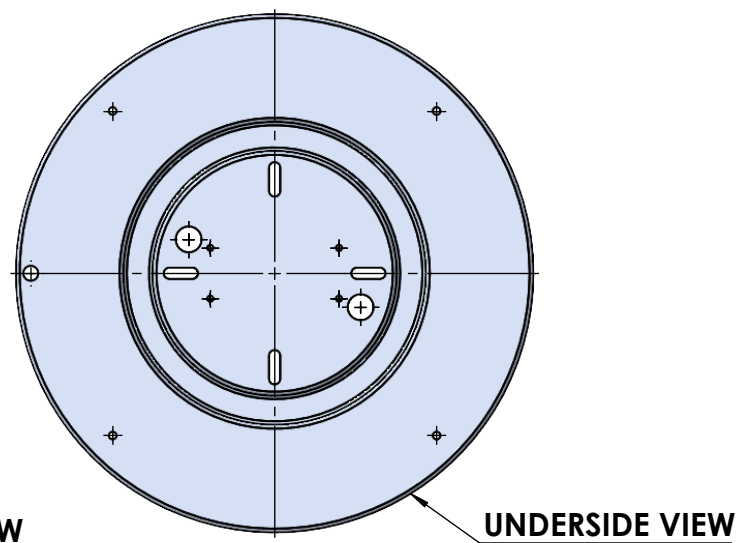
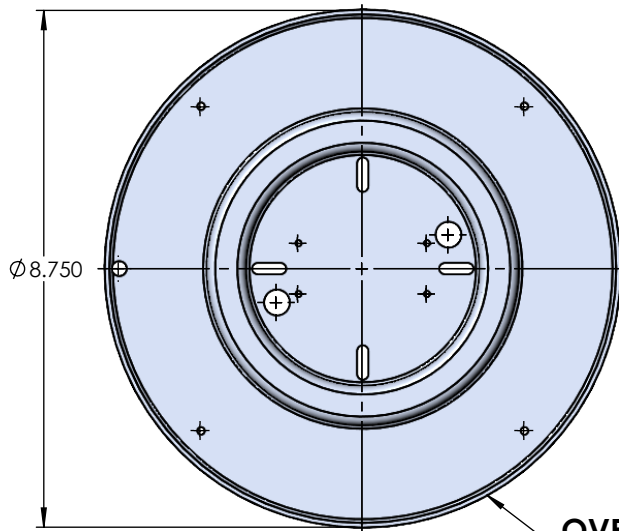
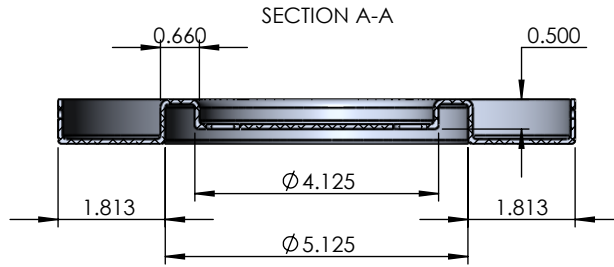
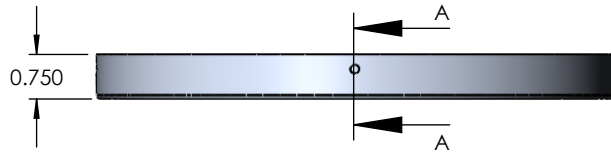
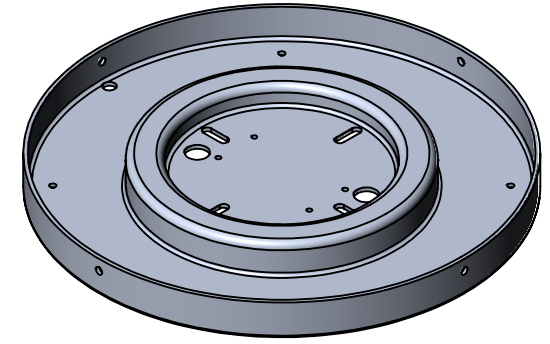
APPLICATION

DO NOT SCALE DRAWING





ITEM NO.	PART NUMBER	DESCRIPTION	QTY.
1	STNLP-9"-12W-AA-A-XXK-SPUN BACKPAN	SPUN ALUMINUM 0.080"	1

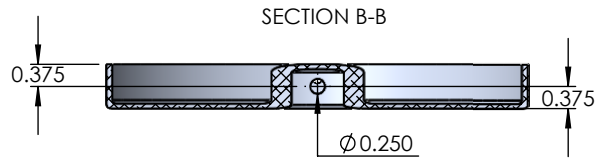
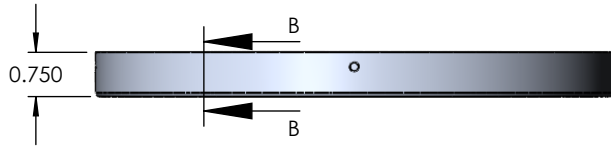
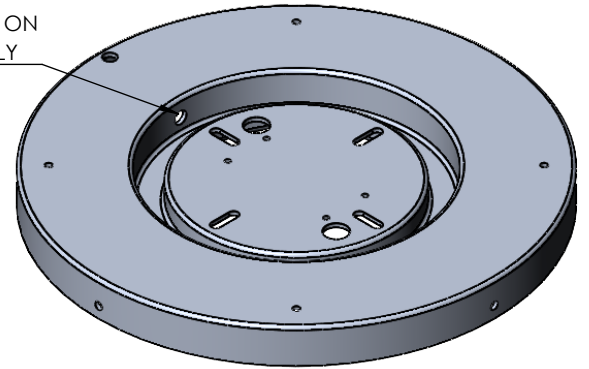


**PROPRIETARY AND CONFIDENTIAL**  
 THE INFORMATION CONTAINED IN THIS DRAWING IS THE SOLE PROPERTY OF <INSERT COMPANY NAME HERE>. ANY REPRODUCTION IN PART OR AS A WHOLE WITHOUT THE WRITTEN PERMISSION OF <INSERT COMPANY NAME HERE> IS PROHIBITED.

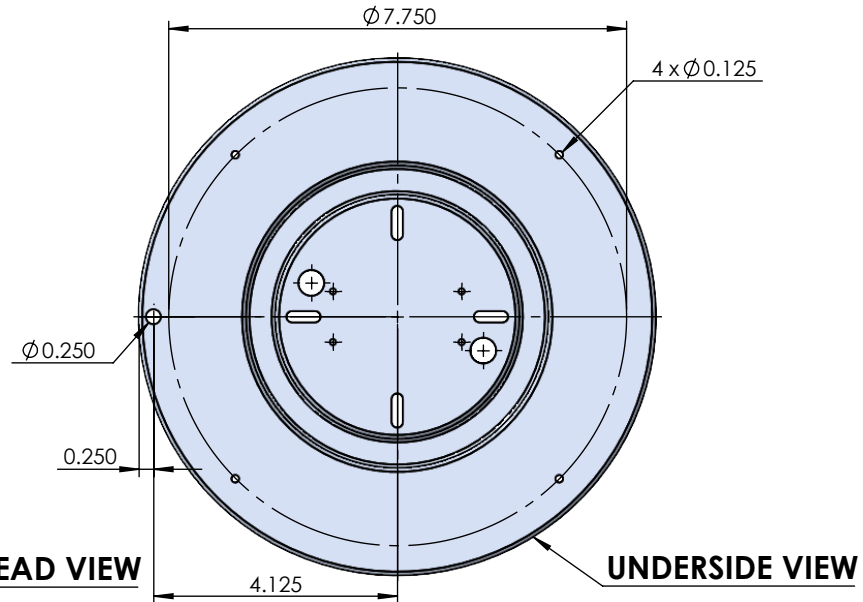
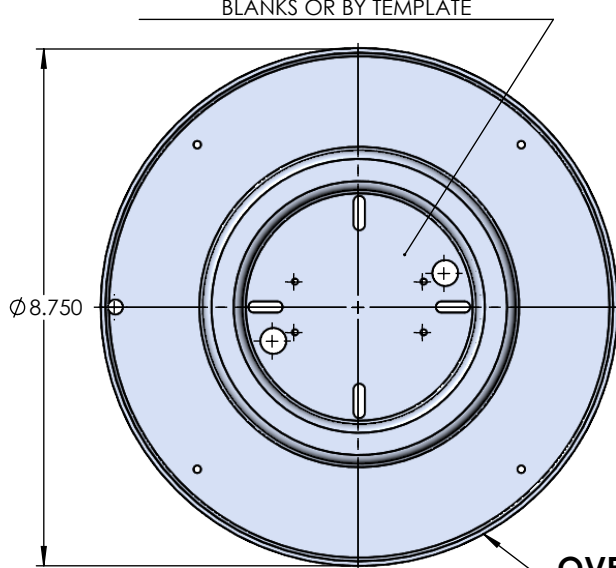
		UNLESS OTHERWISE SPECIFIED:	NAME	DATE	SPUN ALUMINUM 0.080"	
		DIMENSIONS ARE IN INCHES	DRAWN		TITLE:	
		TOLERANCES:	CHECKED		STNLP-9"-12W-AA-A-XXK	
		FRACTIONAL ±	ENG APPR.		SIZE	DWG. NO.
		ANGULAR: MACH ± BEND ±	MFG APPR.		<b>A</b>	REV
		TWO PLACE DECIMAL ±	Q.A.		SCALE: 1:3.25	
		THREE PLACE DECIMAL ±	COMMENTS:		WEIGHT:	SHEET 4 OF 12
NEXT ASSY	USED ON	INTERPRET GEOMETRIC TOLERANCING PER:				
APPLICATION		MATERIAL				
		FINISH				
		DO NOT SCALE DRAWING				

ITEM NO.	PART NUMBER	DESCRIPTION	QTY.
1	STNLP-7"-10W-AA-A-XXK-SPUN BACKPAN	SPUN ALUMINUM 0.080"	1

SECTION B-B HOLE ON  
INNER WALL ONLY

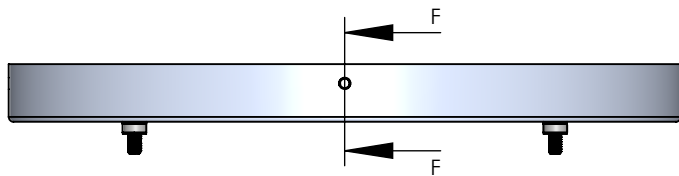
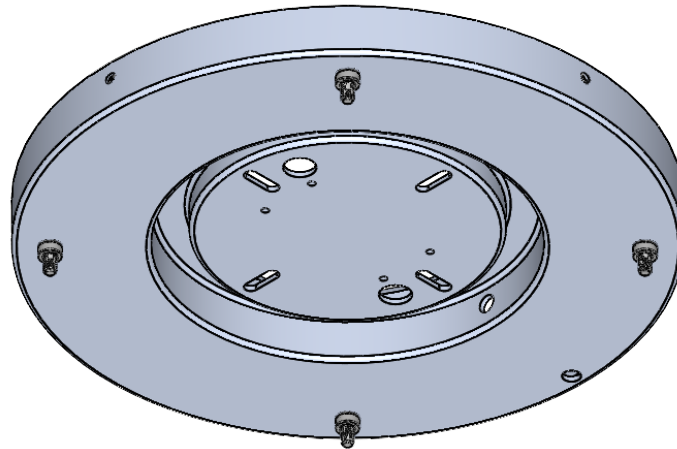
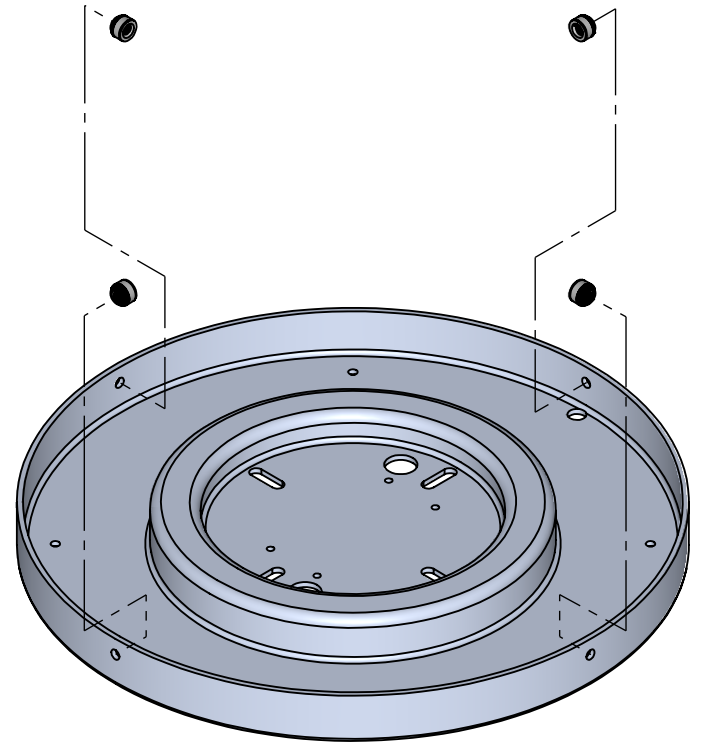
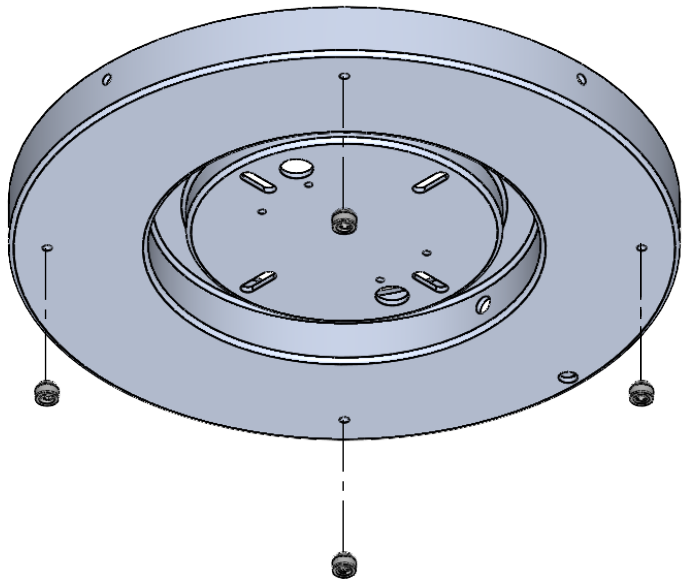


ALL INNER HOLES/SLOTS DETERMINED BY  
BLANKS OR BY TEMPLATE



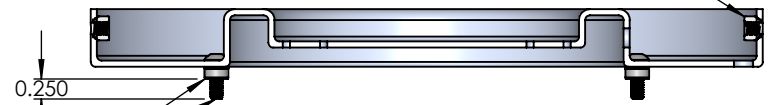
**PROPRIETARY AND CONFIDENTIAL**  
THE INFORMATION CONTAINED IN THIS  
DRAWING IS THE SOLE PROPERTY OF  
<INSERT COMPANY NAME HERE>. ANY  
REPRODUCTION IN PART OR AS A WHOLE  
WITHOUT THE WRITTEN PERMISSION OF  
<INSERT COMPANY NAME HERE> IS  
PROHIBITED.

		UNLESS OTHERWISE SPECIFIED:		NAME	DATE	SPUN ALUMINUM 0.080"	
		DIMENSIONS ARE IN INCHES	DRAWN			TITLE:	
		TOLERANCES:	CHECKED			STNLP-9"-12W-AA-A-XXK	
		FRACTIONAL ±	ENG APPR.			SIZE	DWG. NO.
		ANGULAR: MACH ± BEND ±	MFG APPR.			<b>A</b>	REV
		TWO PLACE DECIMAL ±	Q.A.			SCALE: 1:3.25 WEIGHT:	
		THREE PLACE DECIMAL ±	COMMENTS:			SHEET 5 OF 12	
NEXT ASSY	USED ON	INTERPRET GEOMETRIC TOLERANCING PER:					
		MATERIAL					
		FINISH					
APPLICATION		DO NOT SCALE DRAWING					



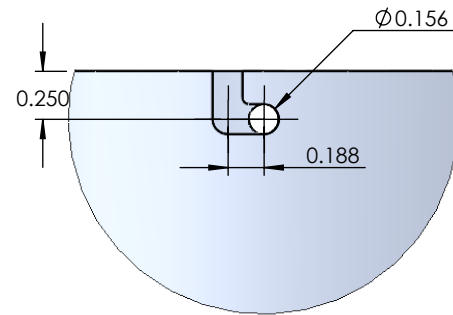
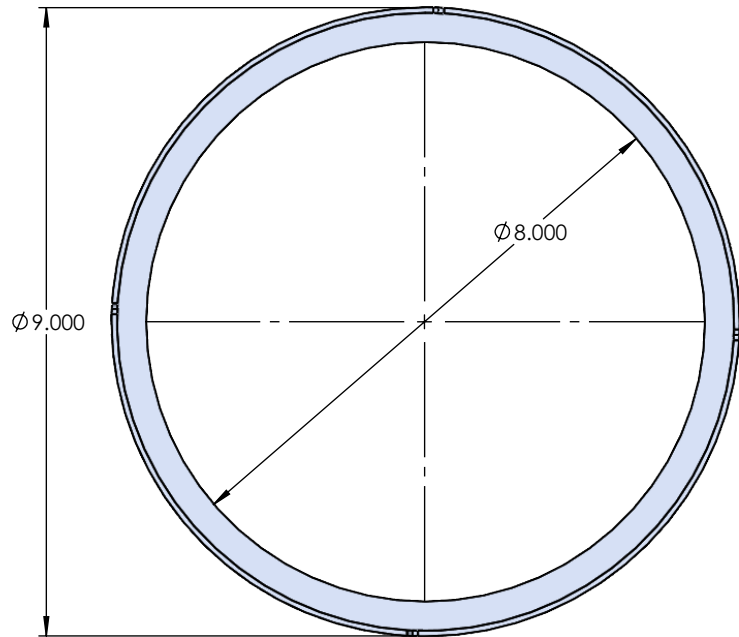
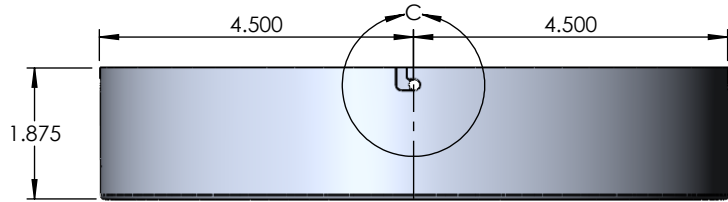
**PRESS FIT INSERTS WITH  
1/4" THREADED STUD**

**PRESS FIT INSERTS FOR  
SPUN COVER SCREWS**



SECTION F-F

ITEM NO.	PART NUMBER	DESCRIPTION	QTY.
1	STNLP-9"-12W-AA-A-XXK-SPUN COVER	SPUN ALUMINUM 0.080"	1



DETAIL C  
SCALE 1 : 1

**PROPRIETARY AND CONFIDENTIAL**  
THE INFORMATION CONTAINED IN THIS DRAWING IS THE SOLE PROPERTY OF <INSERT COMPANY NAME HERE>. ANY REPRODUCTION IN PART OR AS A WHOLE WITHOUT THE WRITTEN PERMISSION OF <INSERT COMPANY NAME HERE> IS PROHIBITED.

		UNLESS OTHERWISE SPECIFIED:	NAME	DATE
		DIMENSIONS ARE IN INCHES TOLERANCES: FRACTIONAL ± ANGULAR: MACH ± BEND ± TWO PLACE DECIMAL ± THREE PLACE DECIMAL ±	DRAWN	
		INTERPRET GEOMETRIC TOLERANCING PER:	CHECKED	
		MATERIAL	ENG APPR.	
		FINISH	MFG APPR.	
NEXT ASSY	USED ON		Q.A.	
			COMMENTS:	
APPLICATION		DO NOT SCALE DRAWING		

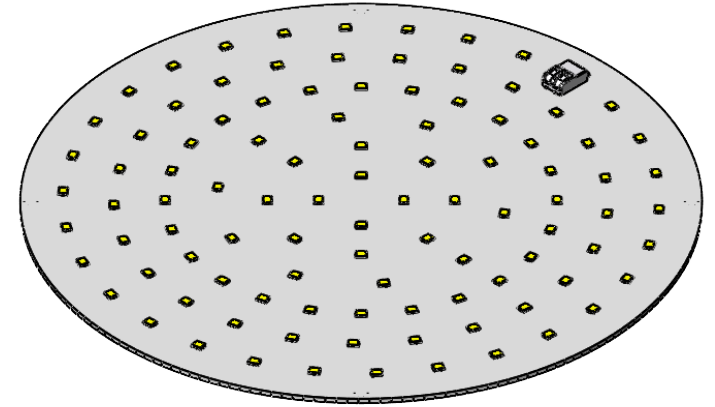
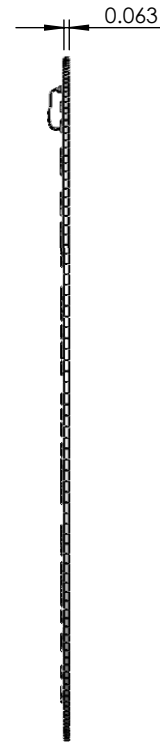
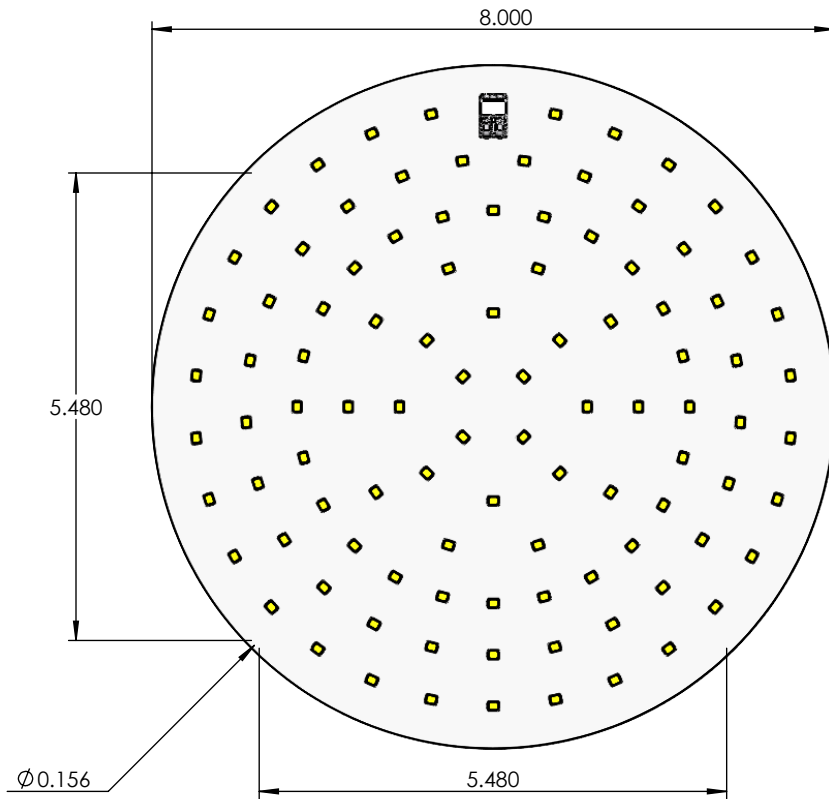
SPUN ALUMINUM 0.080"

TITLE:

STNLP-9"-12W-AA-A-XXK

SIZE	DWG. NO.	REV
<b>A</b>		

SCALE: 1:2.75 WEIGHT: SHEET 7 OF 12



**PROPRIETARY AND CONFIDENTIAL**  
 THE INFORMATION CONTAINED IN THIS DRAWING IS THE SOLE PROPERTY OF <INSERT COMPANY NAME HERE>. ANY REPRODUCTION IN PART OR AS A WHOLE WITHOUT THE WRITTEN PERMISSION OF <INSERT COMPANY NAME HERE> IS PROHIBITED.

		UNLESS OTHERWISE SPECIFIED:	NAME	DATE
		DIMENSIONS ARE IN INCHES	DRAWN	
		TOLERANCES:	CHECKED	
		FRACTIONAL ±	ENG APPR.	
		ANGULAR: MACH ± BEND ±	MFG APPR.	
		TWO PLACE DECIMAL ±	Q.A.	
		THREE PLACE DECIMAL ±	COMMENTS:	
		INTERPRET GEOMETRIC TOLERANCING PER:		
		MATERIAL		
NEXT ASSY	USED ON	FINISH		
APPLICATION		DO NOT SCALE DRAWING		

12-WATT LED PUCK		
TITLE:		
STNLP-9"-12W-AA-A-XXK		
SIZE	DWG. NO.	REV
<b>A</b>		
SCALE: 1:2.25	WEIGHT:	SHEET 8 OF 12

**SPUN COVER BOLTS**

**SINGLE-GANG RECTANGULAR  
ELECTRICAL BOX  
(EXISTING)**

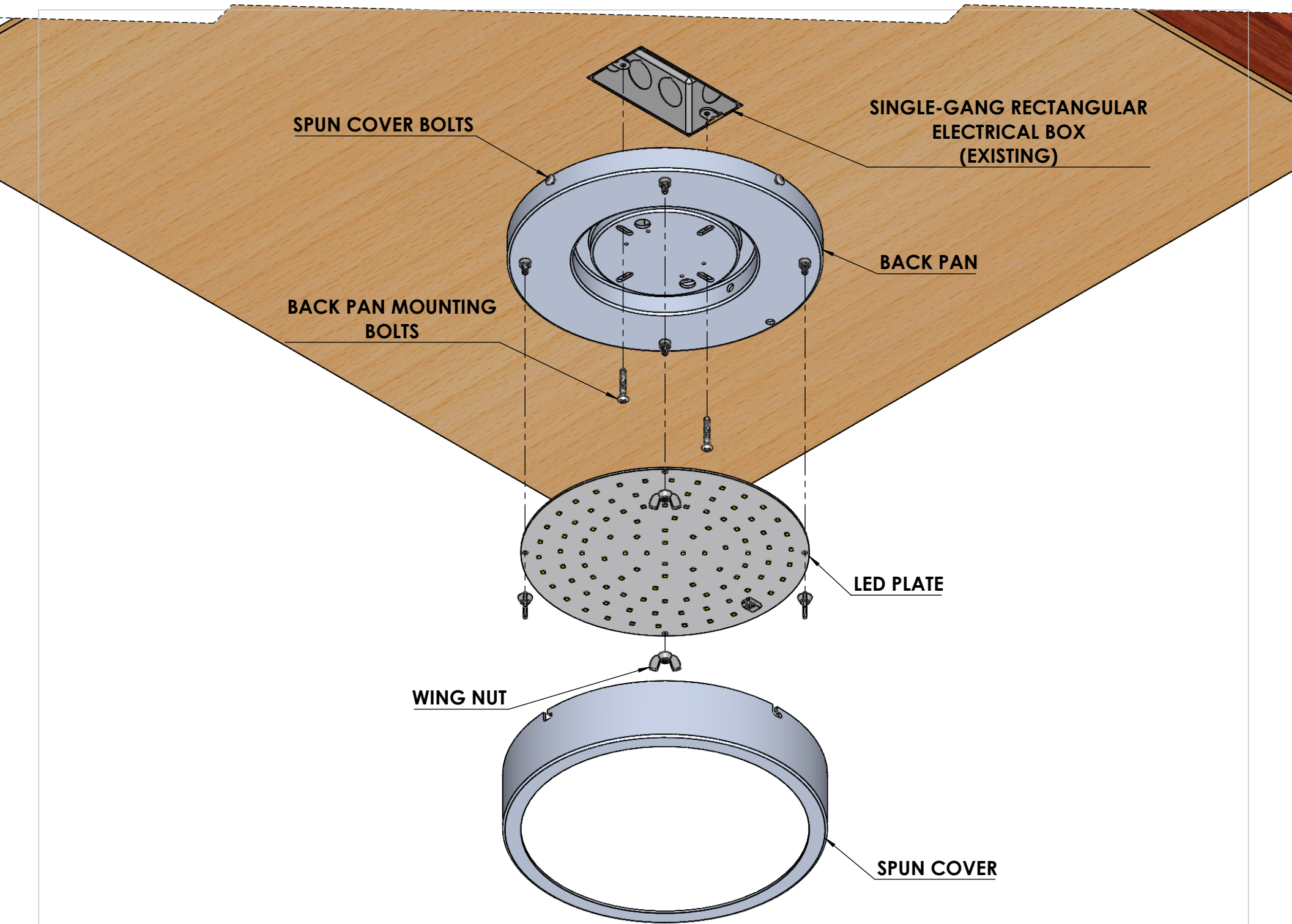
**BACK PAN**

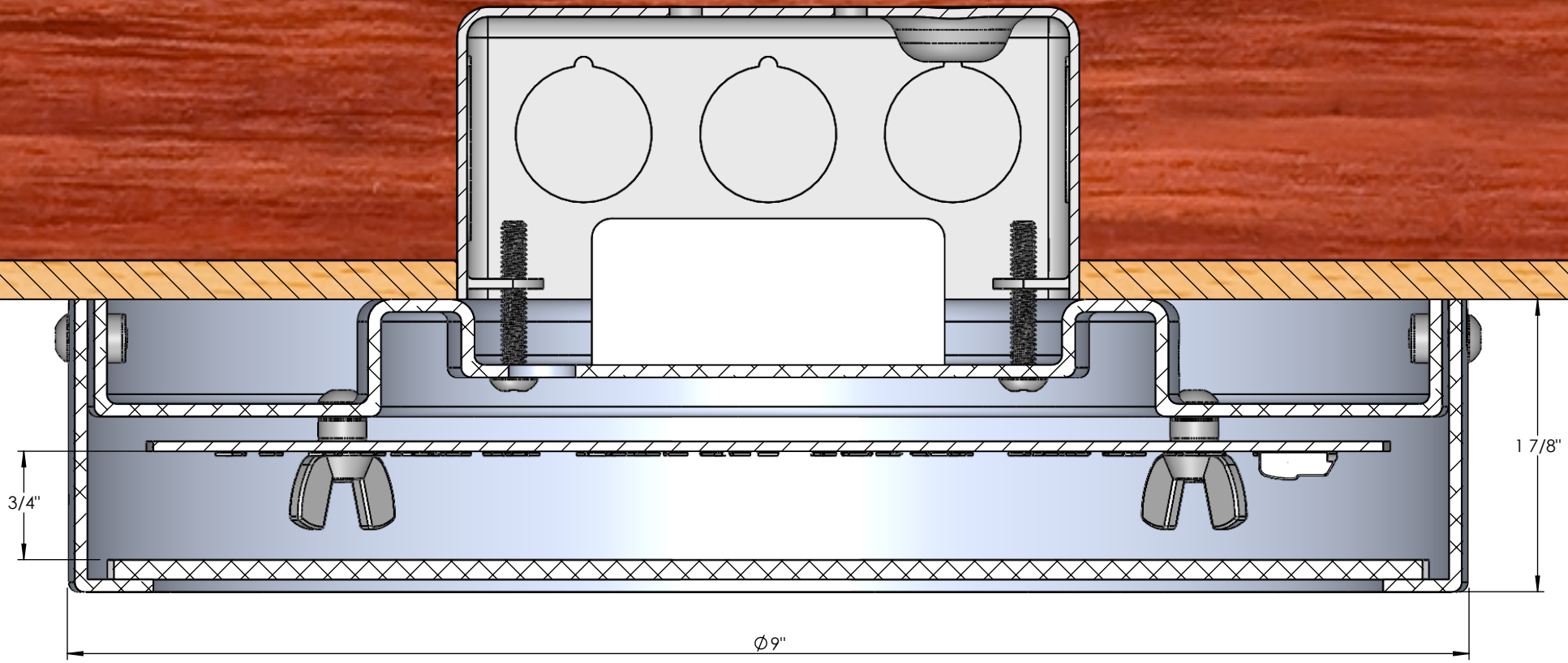
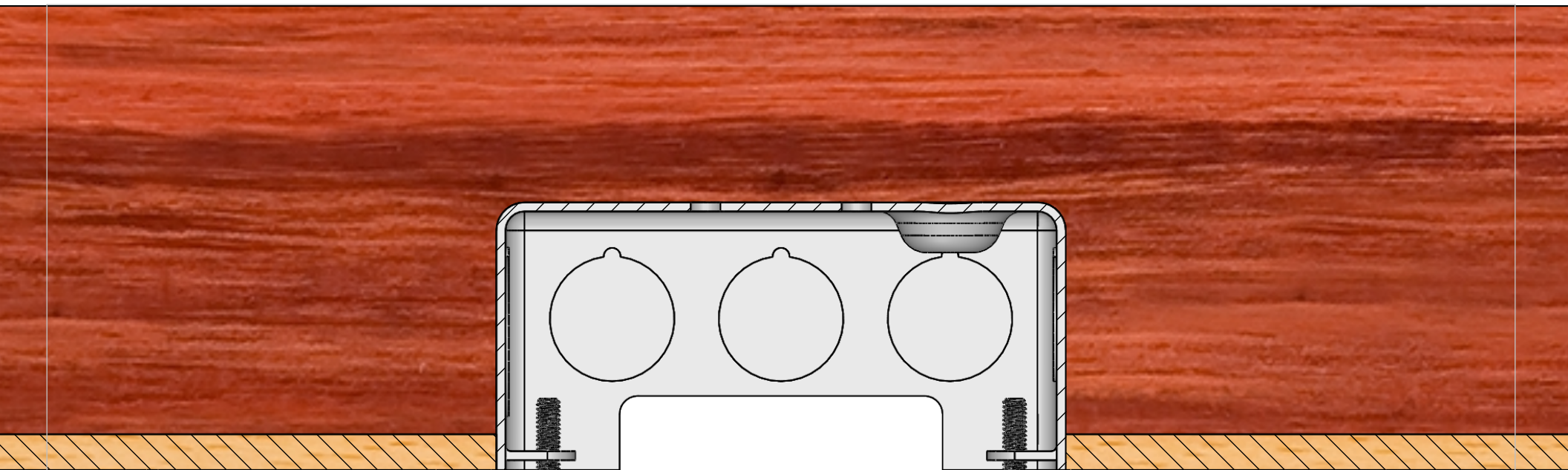
**BACK PAN MOUNTING  
BOLTS**

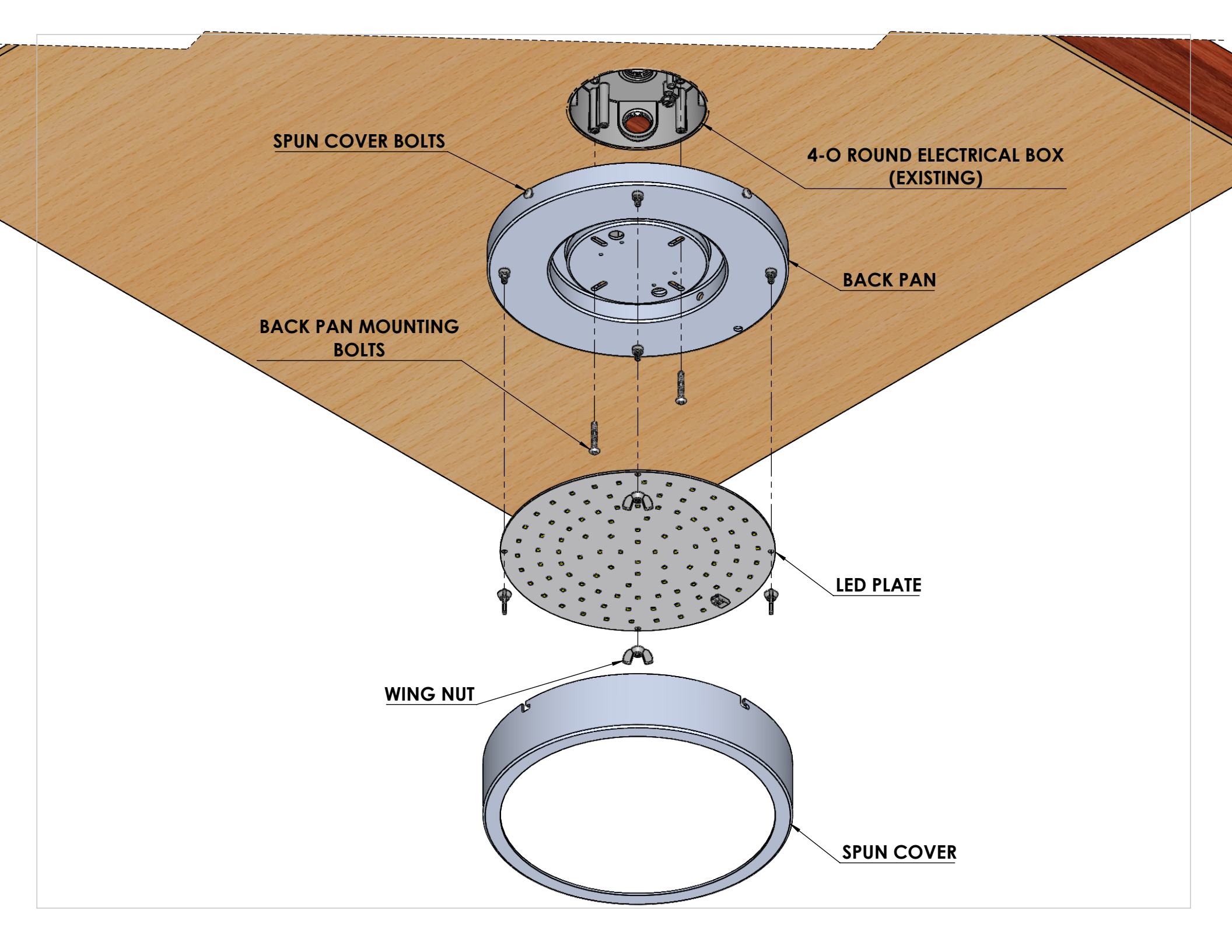
**LED PLATE**

**WING NUT**

**SPUN COVER**







**SPUN COVER BOLTS**

**4-O ROUND ELECTRICAL BOX  
(EXISTING)**

**BACK PAN**

**BACK PAN MOUNTING  
BOLTS**

**LED PLATE**

**WING NUT**

**SPUN COVER**

